



US00D925491S

(12) **United States Design Patent**
Still

(10) **Patent No.:** **US D925,491 S**

(45) **Date of Patent:** **** Jul. 20, 2021**

(54) **WEIGHT-BALANCING HEADSET**

(71) Applicant: **Feature Products, LTD**, Bedford, NH (US)

(72) Inventor: **David Lee Still**, Haverhill, MA (US)

(**) Term: **15 Years**

(21) Appl. No.: **29/707,732**

(22) Filed: **Sep. 30, 2019**

(51) **LOC (13) Cl.** **14-01**

(52) **U.S. Cl.**
USPC **D14/206**; D14/226

(58) **Field of Classification Search**
USPC D14/205, 206, 188, 192, 226; D29/112;
2/209; 381/380, 381, 374; 455/90.3,
455/575.1, 569.1
CPC H04R 25/00; H04R 25/02; H04R 1/10;
H04R 5/033; H04R 5/0335; H04R
1/1016; H04R 1/1066

See application file for complete search history.

(56) **References Cited**

U.S. PATENT DOCUMENTS

2,075,196	A *	3/1937	Hand	H04R 1/1066 381/377
3,971,901	A *	7/1976	Foley	H04M 1/05 379/430
4,048,453	A *	9/1977	Seidel	H04M 1/05 379/430
4,484,029	A *	11/1984	Kenney	H04M 1/6066 379/430
4,582,767	A *	4/1986	Morioka	H01M 50/325 429/121
4,654,883	A *	3/1987	Iwata	H04B 1/385 379/430
5,003,589	A *	3/1991	Chen	H04M 1/05 379/430
5,086,464	A *	2/1992	Groppe	H04M 1/05 381/331
D324,385	S *	3/1992	Yoda	D14/192

(Continued)

Primary Examiner — Paula Allen Greene

(74) *Attorney, Agent, or Firm* — Sarita L. Pickett; Patent Negotiator, PLLC

(57) **CLAIM**

The ornamental design for a weight-balancing headset, as shown and described.

DESCRIPTION

FIG. 1 is a front planar view of a weight-balancing headset showing my new design in which a single-earpiece and rotatable wireless enabled mic boom are visible in a first position, and a battery cap is visible in a closed position opposite the mic boom;

FIG. 2 is a left planar view thereof, the left side of the single earpiece and rotatable mic boom being visible herein;

FIG. 3 is a right planar view thereof, the right side of a battery pack being visible herein;

FIG. 4 is a rear, planar view thereof;

FIG. 5 is a bottom view thereof;

FIG. 6 is an upper view thereof;

FIG. 7 is a front planar view of a weight-balancing headset showing my new design in which the single-earpiece and rotatable enabled mic boom are visible in a second position, and a battery cap is visible in an open position opposite the mic boom;

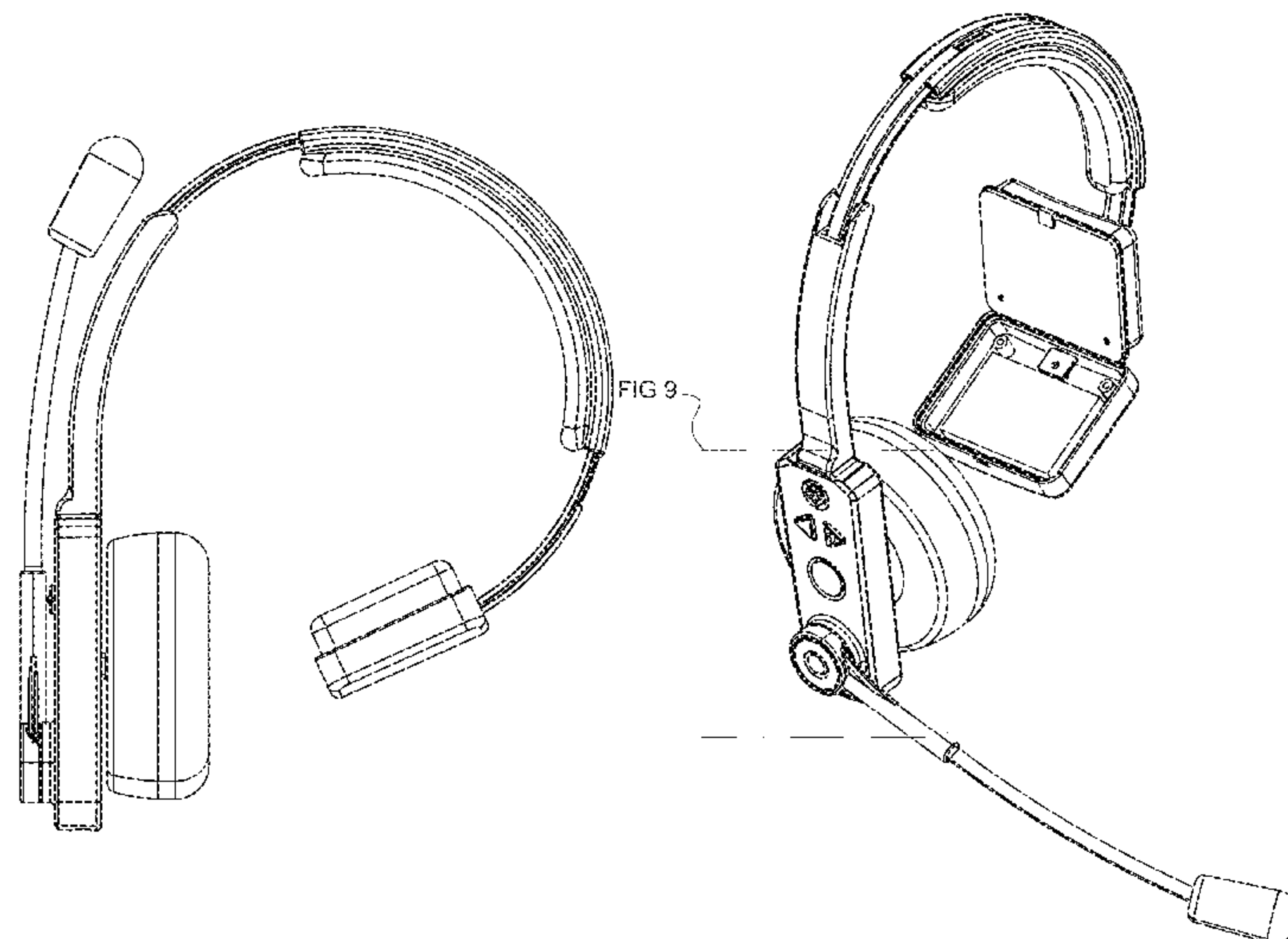
FIG. 8 is an upper left perspective view thereof;

FIG. 9 is an enlarged view of a portion 9-9 thereof; and,

FIG. 10 is an upper right perspective view of the headset wherein the boom is rotated back into the first position as shown in FIG. 1.

Wherein the ornamental design of the weight-balancing headset provides balance of a weight of one side of the monaural headset with a weight of another side of the headset; and wherein objects of the environment illustrated in broken lines form no part of the claimed design.

1 Claim, 8 Drawing Sheets



(56)

References Cited

U.S. PATENT DOCUMENTS

5,117,465 A * 5/1992 MacDonald H04R 1/10
 381/150
 D337,116 S * 7/1993 Hattori D14/206
 D344,730 S * 3/1994 Gattey D14/206
 D364,617 S * 11/1995 Fitzgerald D14/142
 D394,058 S * 5/1998 Fitzgerald D14/142
 D394,436 S * 5/1998 Hall D14/206
 5,793,865 A * 8/1998 Leiter H04M 1/05
 379/430
 5,825,896 A * 10/1998 Leedom H04R 25/652
 381/322
 D404,734 S * 1/1999 Andrea D14/206
 D417,843 S * 12/1999 Srinual D9/423
 D419,131 S * 1/2000 Andrews D13/103
 D430,140 S * 8/2000 Roman D14/205
 6,754,361 B1 * 6/2004 Hall H04R 1/1025
 379/430
 D498,470 S * 11/2004 Skulley D14/206

6,970,572 B2 * 11/2005 Murozaki H04M 1/05
 381/374
 D517,528 S * 3/2006 Skulley D14/206
 7,031,475 B2 * 4/2006 Kuraoka H04M 1/0289
 379/428.02
 D531,165 S * 10/2006 Rath D14/206
 D565,842 S * 4/2008 Falcone D3/294
 D592,399 S * 5/2009 Sage D3/295
 D602,908 S * 10/2009 Ham D14/206
 D624,316 S * 9/2010 Ferber D3/294
 D691,113 S * 10/2013 Gougherty D14/206
 D712,875 S * 9/2014 Katori D14/206
 D717,767 S * 11/2014 Mistry D14/206
 D880,448 S * 4/2020 Jaques D14/205
 D883,253 S * 5/2020 Kelley D14/205
 2007/0053544 A1 * 3/2007 Jhao H04R 1/1083
 381/384
 2013/0188803 A1 * 7/2013 Shaanan H04R 1/10
 381/74
 2020/0137476 A1 * 4/2020 Shinmen H04R 1/105

* cited by examiner

FIGURE 1

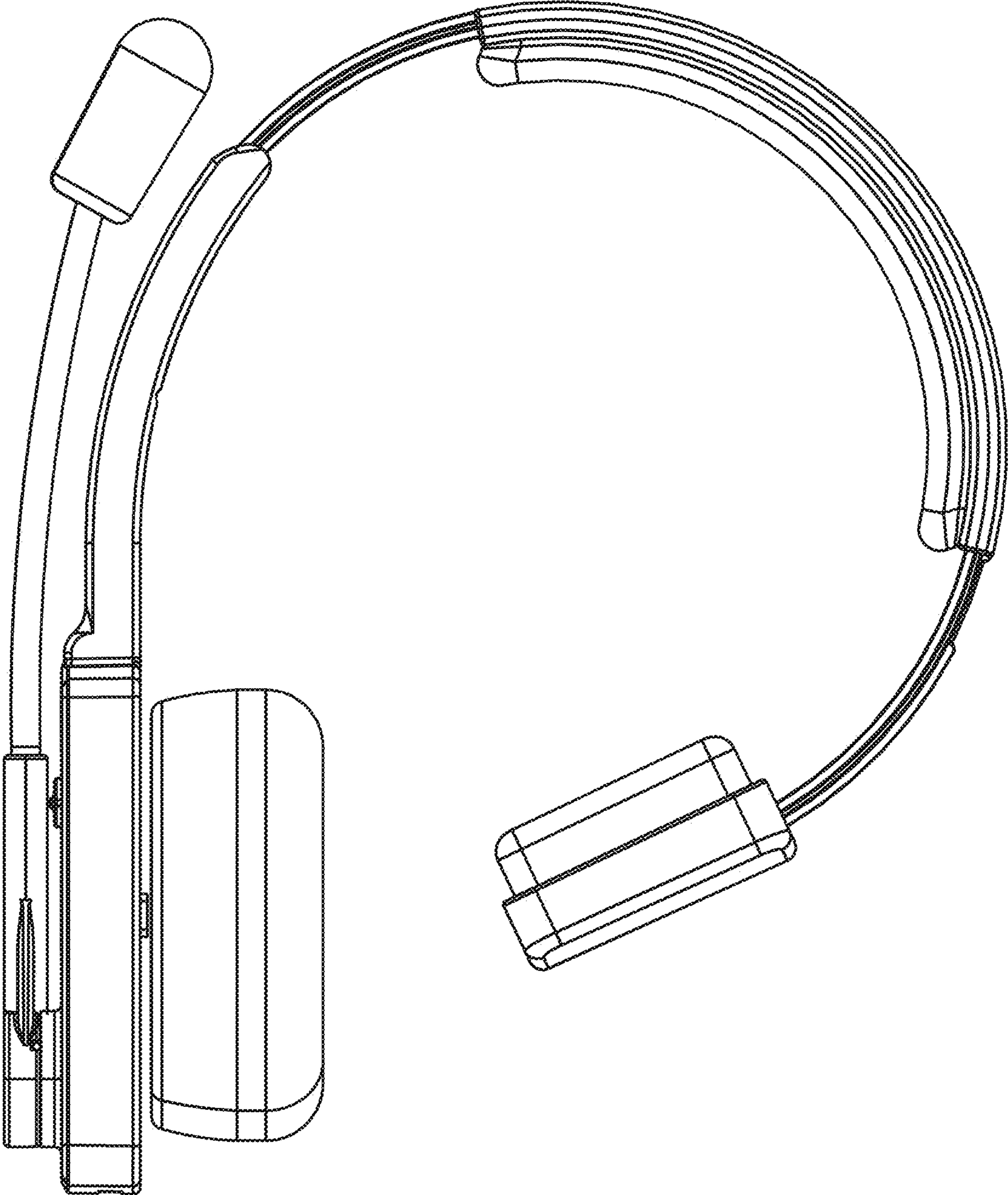


FIGURE 2

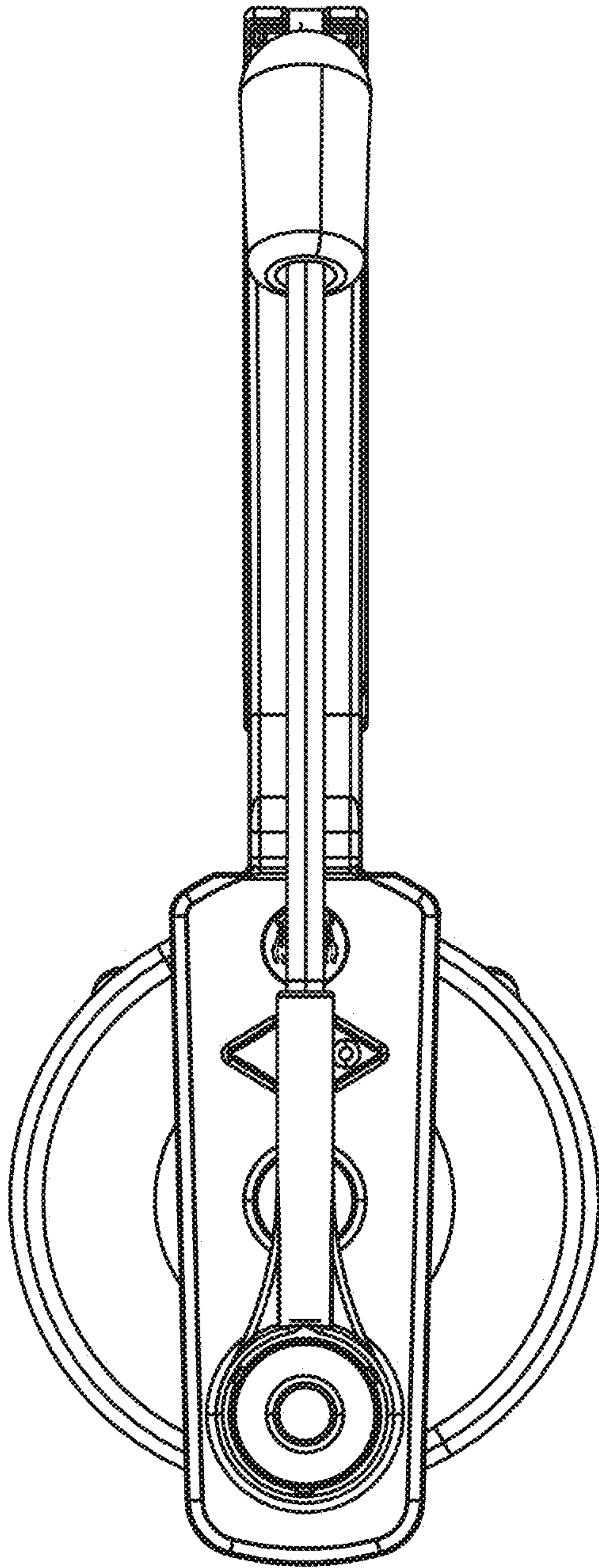


FIGURE 3

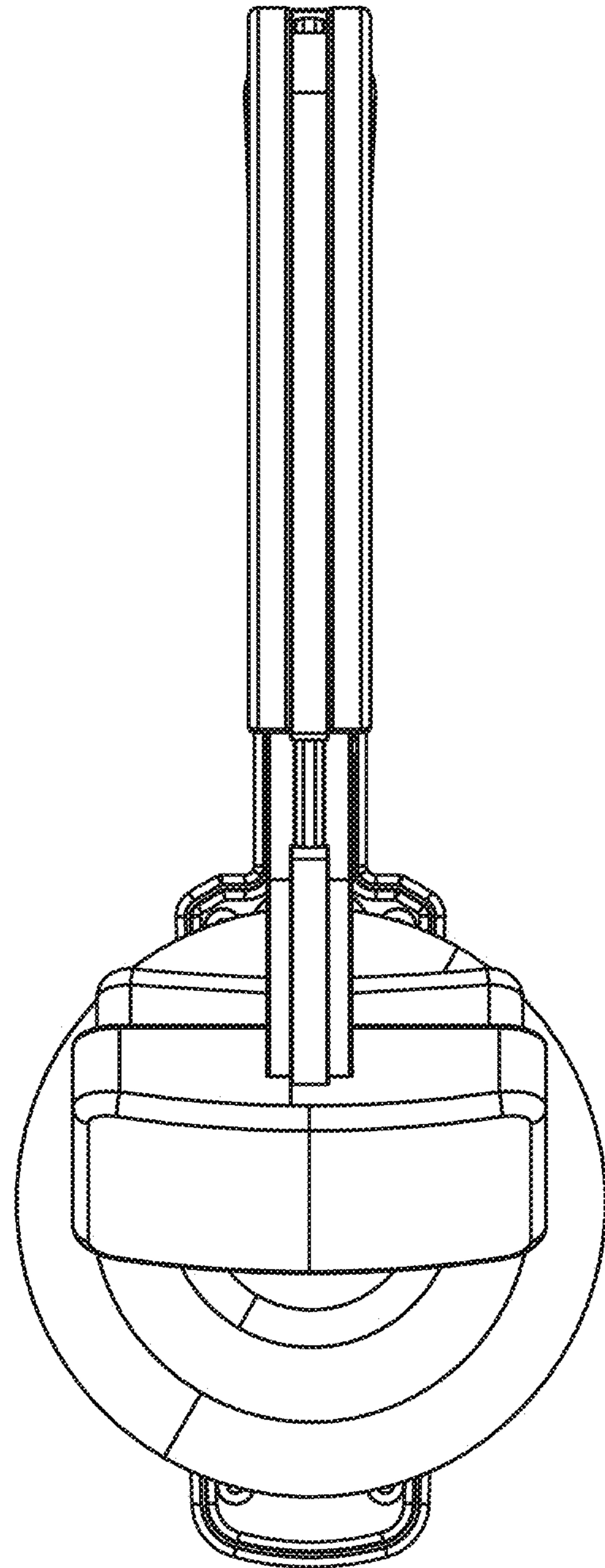


FIGURE 4

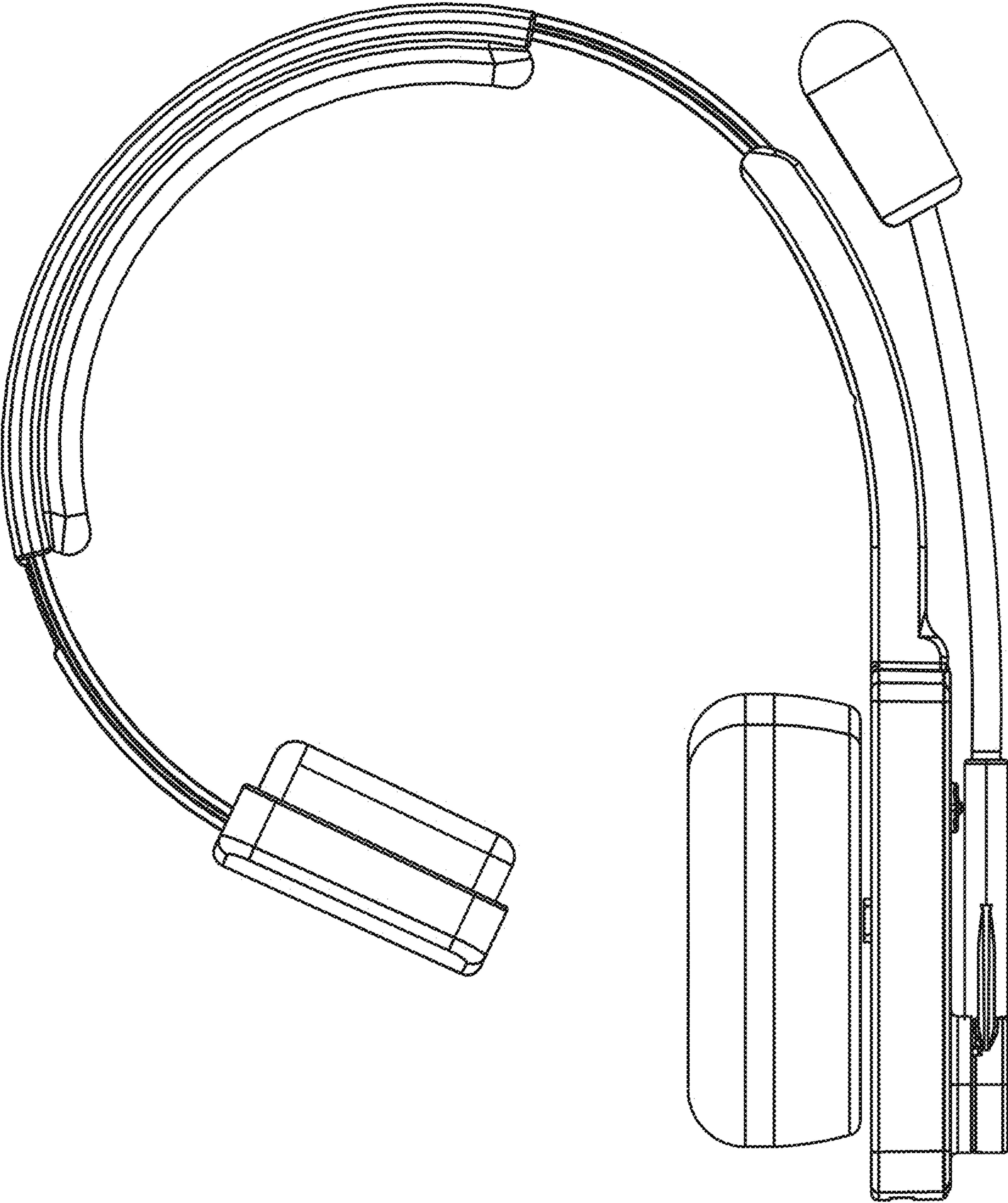


FIGURE 5

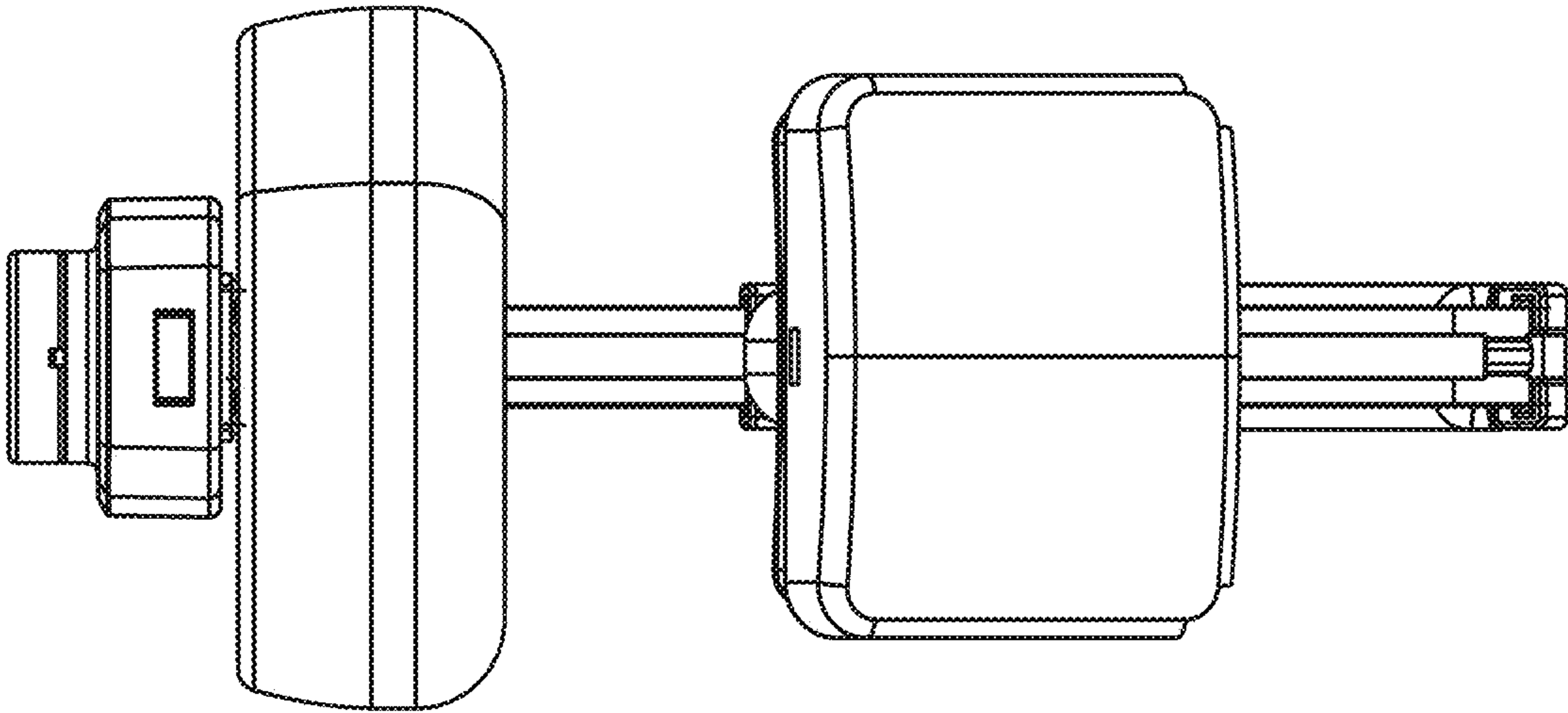


FIGURE 6

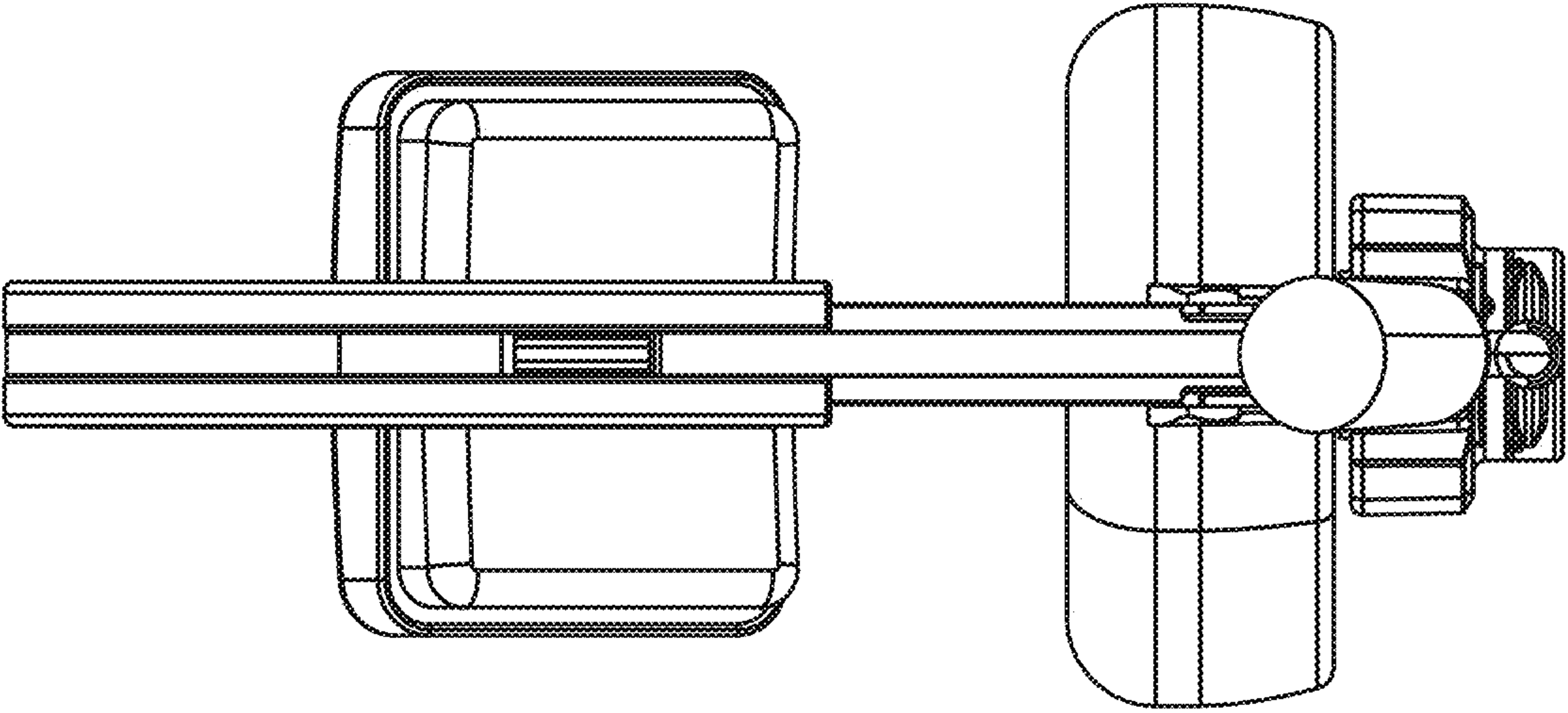


FIGURE 7

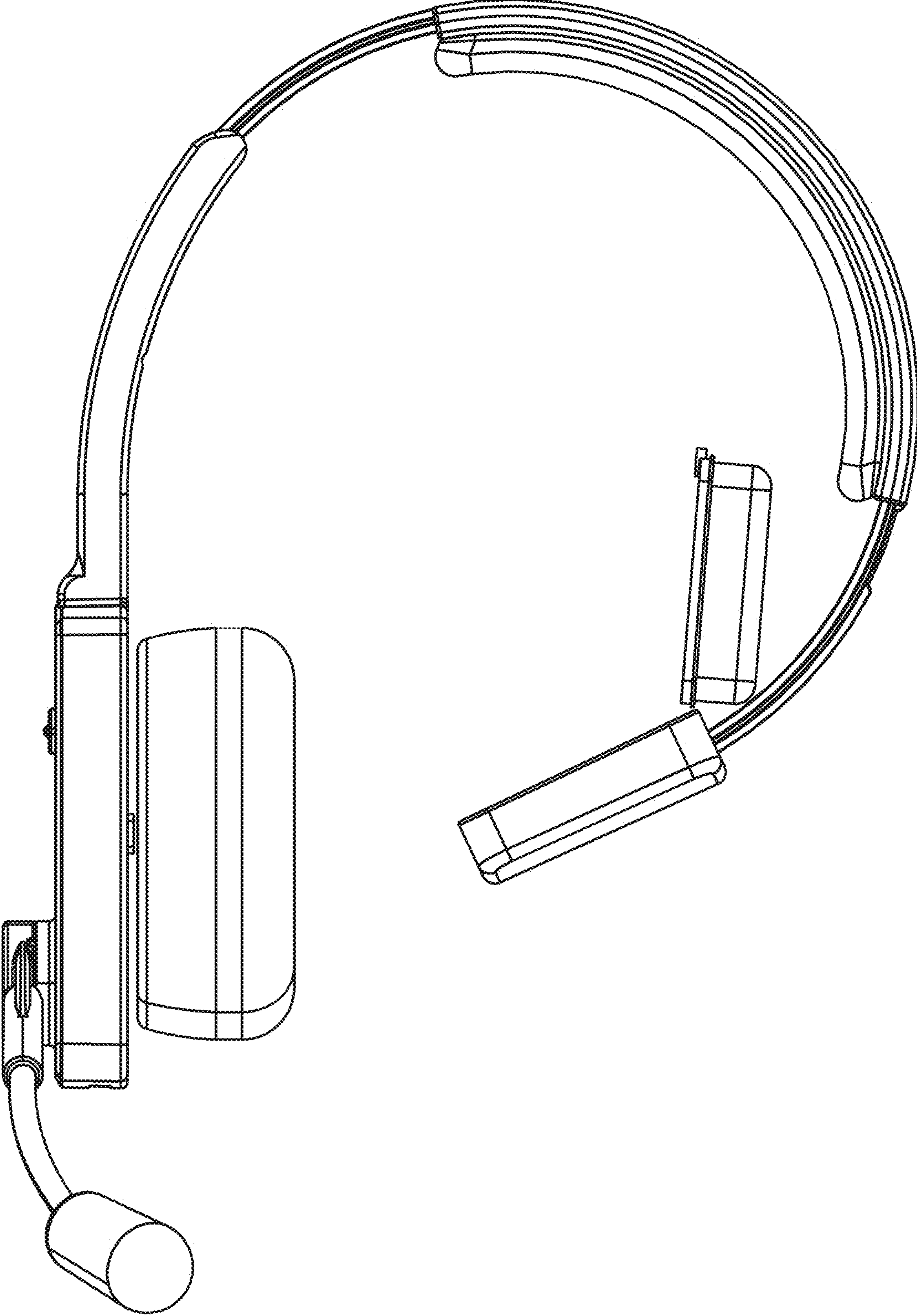


FIGURE 8

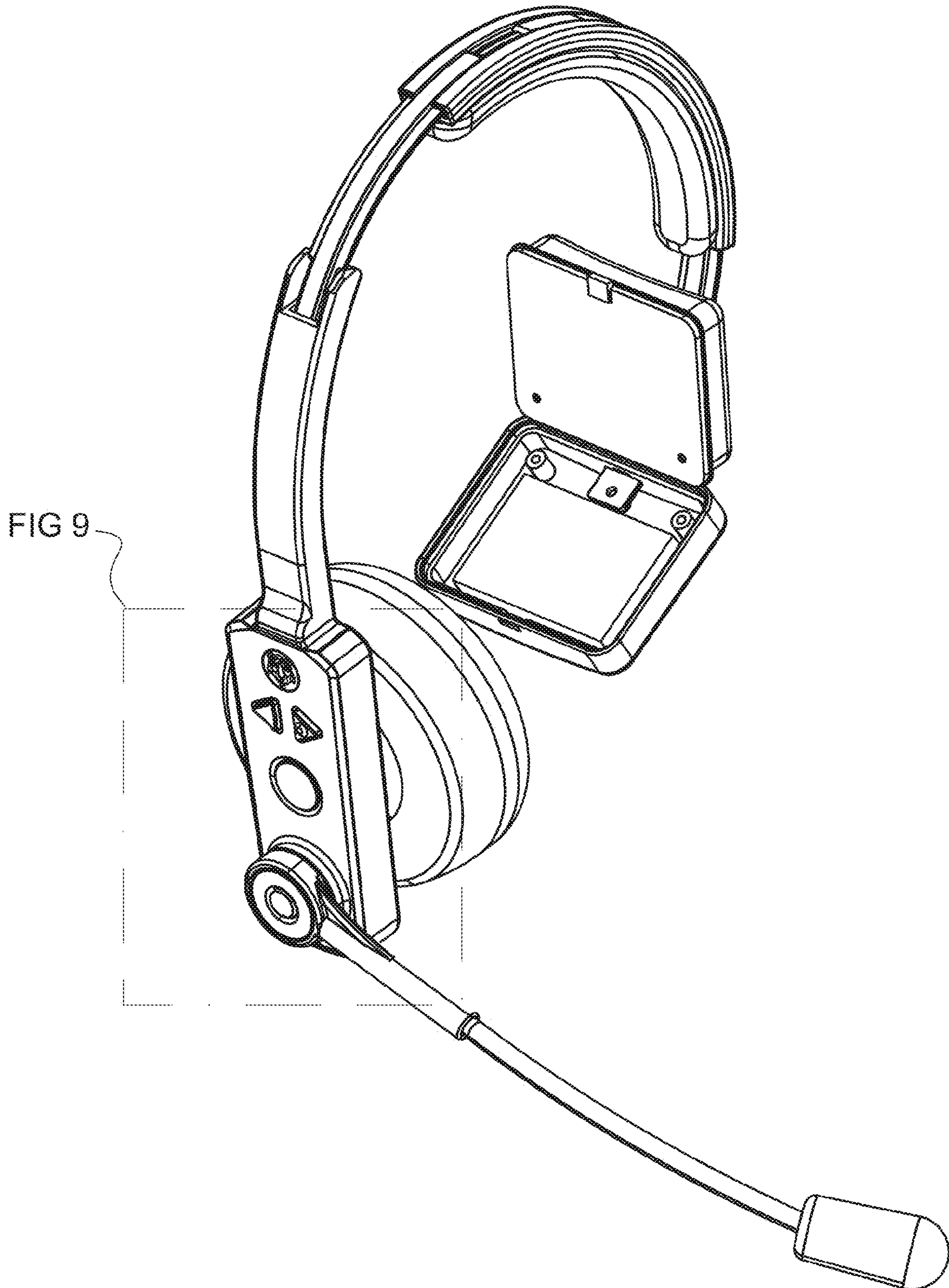


FIGURE 9

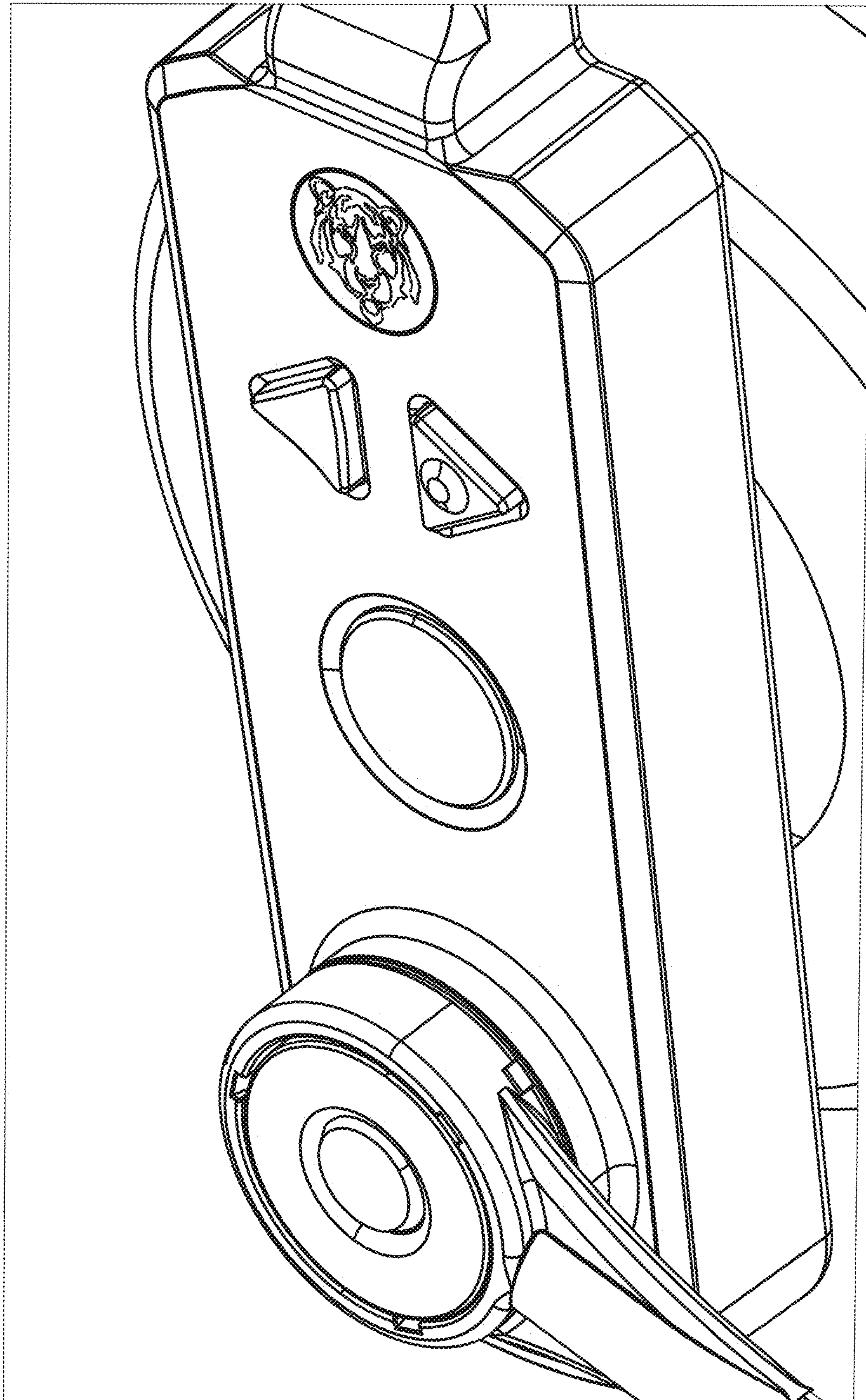


FIGURE 10

