



US00D925489S

(12) **United States Design Patent**
Brunner et al.

(10) **Patent No.:** **US D925,489 S**
(45) **Date of Patent:** **** Jul. 20, 2021**

- (54) **AUDIO LISTENING SYSTEM**
- (71) Applicant: **Apple Inc.**, Cupertino, CA (US)
- (72) Inventors: **Robert Brunner**, Glen Ellen, CA (US);
Rhys Bonahoom, Burlingame, CA (US); **Gregoire Vandebussche**, San Francisco, CA (US); **Nivay Anandarajah**, San Francisco, CA (US); **Christopher Fruhauf**, San Anselmo, CA (US)
- (73) Assignee: **Apple Inc.**, Cupertino, CA (US)
- (**) Term: **15 Years**
- (21) Appl. No.: **29/739,419**
- (22) Filed: **Jun. 25, 2020**

Related U.S. Application Data

- (63) Continuation of application No. 29/682,934, filed on Mar. 8, 2019, now Pat. No. Des. 889,432, which is a continuation of application No. 29/608,560, filed on Jun. 22, 2017, now Pat. No. Des. 843,345, which is a continuation of application No. 29/559,678, filed on Mar. 30, 2016, now Pat. No. Des. 791,733, which is a continuation of application No. 29/527,765, filed on May 21, 2015, now Pat. No. Des. 760,687, which is a continuation of application No. 29/490,508, filed on May 9, 2014, now Pat. No. Des. 738,350, and a continuation of application No. 29/490,507, filed on May 9, 2014, now Pat. No. Des. 732,000, which is a continuation-in-part of application No. 29/489,127, filed on Apr. 25, 2014, now Pat. No. Des. 731,457, and a continuation of application No. 29/489,127, filed on Apr. 25, 2014, now Pat. No. Des. 731,457, said application No. 29/490,508 is a continuation-in-part of application No. 29/489,127, filed on Apr. 25, 2014, now Pat. No. Des. 731,457.
- (51) **LOC (13) Cl.** **14-01**
- (52) **U.S. Cl.**
USPC **D14/205**

(58) **Field of Classification Search**
USPC D14/205; D29/112; 2/209; 381/380, 381/381, 374; 455/90.3, 575.1, 469.1
CPC H04R 25/00; H04R 1/10; H04R 1/1066; H04R 1/1016; H04R 5/033; H04R 5/0335; H04R 1/1091
See application file for complete search history.

(56) **References Cited**

U.S. PATENT DOCUMENTS

3,051,961 A	9/1962	Clark
3,073,410 A	1/1963	Gongoll
3,505,684 A	4/1970	Hutchinson et al.

(Continued)

FOREIGN PATENT DOCUMENTS

EM	007232707-0008	*	5/2019
EM	00723707-0003		11/2019
EM	007232707-0008		11/2019

Primary Examiner — Paula Allen Greene
(74) *Attorney, Agent, or Firm* — Sterne, Kessler, Goldstein & Fox P.L.L.C.

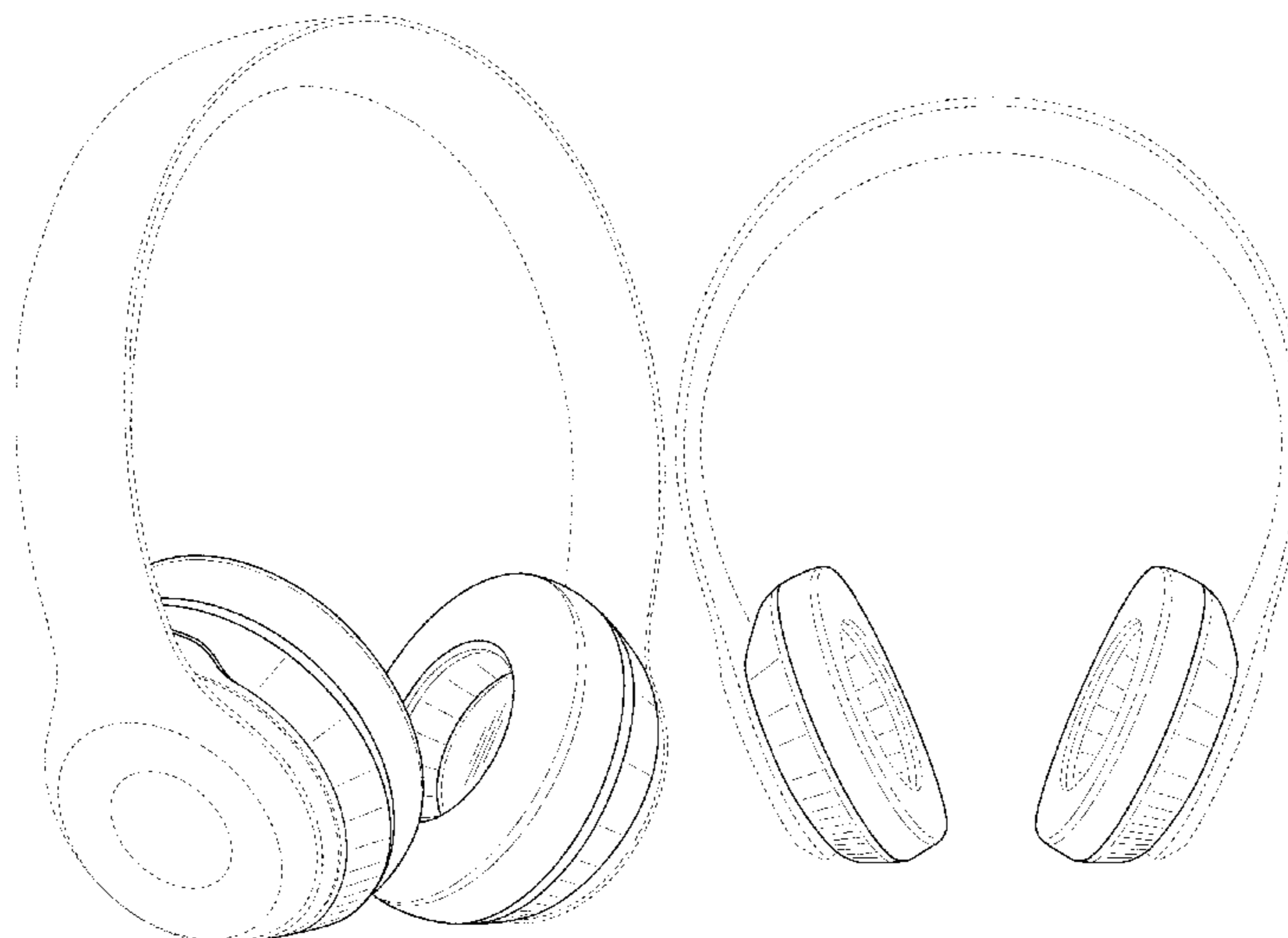
(57) **CLAIM**

The ornamental design for an audio listening system, as shown and described.

DESCRIPTION

FIG. 1 is a perspective view of an audio listening system showing the claimed design;
FIG. 2 is a front view thereof;
FIG. 3 is a rear view thereof;
FIG. 4 is a left side view thereof;
FIG. 5 is a right side view thereof; and,
FIG. 6 is a top view thereof.
The broken lines in the figures show portions of the audio listening system that form no part of the claimed design.

1 Claim, 4 Drawing Sheets



(56)

References Cited

U.S. PATENT DOCUMENTS

4,385,209 A	5/1983	Greason et al.	D691,579 S	10/2013	Lee et al.
D318,053 S	7/1991	Ludeke et al.	D691,984 S	10/2013	Wang
D328,074 S	7/1992	Yamazaki et al.	D693,791 S	11/2013	Troy
D328,461 S	8/1992	Daido et al.	D696,226 S	12/2013	Brunner et al.
D346,802 S	5/1994	Sacherman et al.	D696,228 S	12/2013	Miyake et al.
D484,485 S	12/2003	Matsuoka	D699,702 S	2/2014	Chen
D504,414 S	4/2005	Yoshida	D706,240 S	6/2014	Szymanski et al.
6,980,165 B2	12/2005	Yuasa et al.	D715,255 S	10/2014	Nunez et al.
6,980,666 B1 *	12/2005	Owen H04R 5/033	D725,630 S	3/2015	Nakagawa
		381/371	D731,457 S	6/2015	Brunner et al.
7,072,483 B2	7/2006	Lenhard-Backhaus	D732,000 S	6/2015	Brunner et al.
D534,155 S	12/2006	Obata	D732,503 S	6/2015	Brunner et al.
D540,301 S	4/2007	Obata	D734,296 S	7/2015	Paterson et al.
D552,077 S	10/2007	Brunner et al.	D738,350 S	9/2015	Brunner et al.
7,356,362 B2	4/2008	Chang et al.	D739,378 S	9/2015	Chung et al.
D582,890 S	12/2008	Koza et al.	D742,357 S	11/2015	Chung et al.
D585,870 S	2/2009	Zheng et al.	D760,687 S	7/2016	Brunner et al.
D592,182 S	5/2009	Sanguinetti	D765,056 S	8/2016	Yang et al.
D593,995 S	6/2009	Shimizu	D767,531 S	9/2016	Szymanski
D600,674 S	9/2009	Brennwald	9,445,185 B2	9/2016	Brunner
D603,371 S	11/2009	Boateng et al.	D786,824 S	5/2017	Hembrey
D625,705 S	10/2010	Ohori et al.	D791,103 S	7/2017	Brunner et al.
D628,554 S	12/2010	Tedja et al.	D791,733 S	7/2017	Brunner et al.
D632,668 S	2/2011	Brunner et al.	D800,691 S	10/2017	Ando et al.
D635,959 S	4/2011	Hutchieson	D809,478 S	2/2018	Arimoto et al.
D637,176 S	5/2011	Brunner et al.	D817,303 S	5/2018	Tragatschnig
8,006,320 B1	8/2011	Rohbani	10,178,463 B2	1/2019	Smiechowski
D652,406 S	1/2012	Lee et al.	D843,345 S	3/2019	Brunner et al.
8,098,872 B2	1/2012	Chang	D858,483 S	9/2019	Hu
D657,344 S	4/2012	Brunner et al.	D877,716 S	3/2020	Flu
D657,345 S	4/2012	Brunner et al.	D879,066 S	3/2020	Chen
D657,776 S	4/2012	Lee et al.	D879,742 S	3/2020	Flu
D660,823 S	5/2012	Hardi et al.	D881,157 S *	4/2020	Chen D14/205
D660,824 S	5/2012	Hardi et al.	D883,949 S	5/2020	Flu
D662,080 S	6/2012	Carr et al.	D889,432 S *	7/2020	Brunner D14/205
D663,716 S	7/2012	Hardi et al.	D901,436 S *	11/2020	Peng D14/205
D664,117 S	7/2012	Tappeiner et al.	D910,592 S *	2/2021	Luo D14/205
D671,914 S	12/2012	Lee et al.	D913,990 S *	3/2021	Saule D14/205
D673,136 S	12/2012	Kelly et al.	2004/0216946 A1	11/2004	Lenhard-Backhaus
D673,520 S	1/2013	Tan	2008/0037816 A1	2/2008	Lee et al.
D674,767 S	1/2013	Brunner et al.	2011/0206216 A1	8/2011	Brunner et al.
D675,595 S	2/2013	Cho et al.	2013/0177195 A1	7/2013	Sze et al.
D677,648 S	3/2013	Lee et al.	2013/0343591 A1	12/2013	Brunner et al.
D678,860 S	3/2013	Hagelin	2015/0117693 A1 *	4/2015	Akino H04R 1/1008
D683,329 S	5/2013	Hagelin			381/370
D689,843 S	9/2013	Lee	2015/0189422 A1	7/2015	Nakano et al.
			2016/0212519 A1	7/2016	Henderson et al.
			2019/0208308 A1 *	7/2019	Tews H04R 1/1058

* cited by examiner

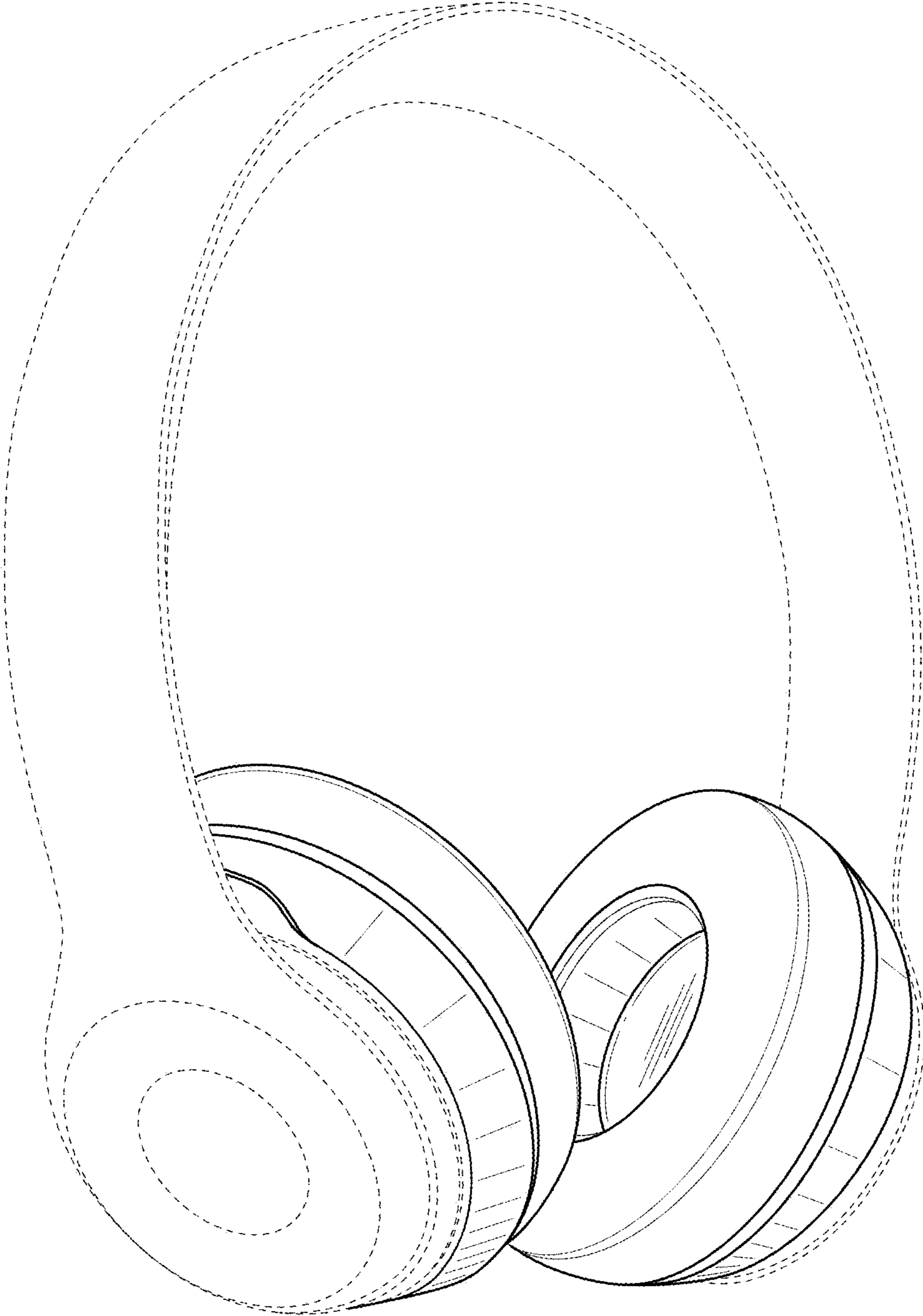


FIG. 1

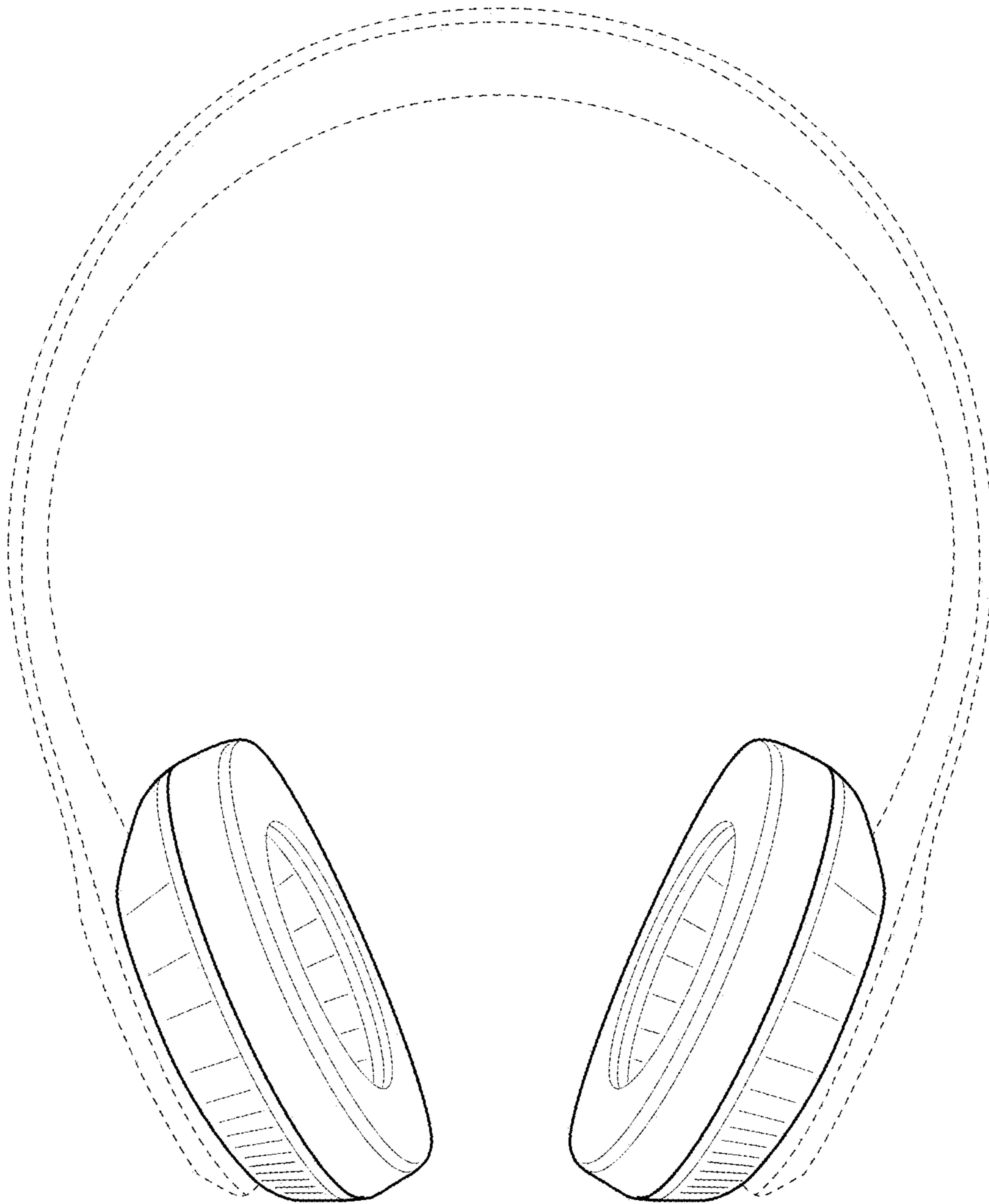


FIG. 2

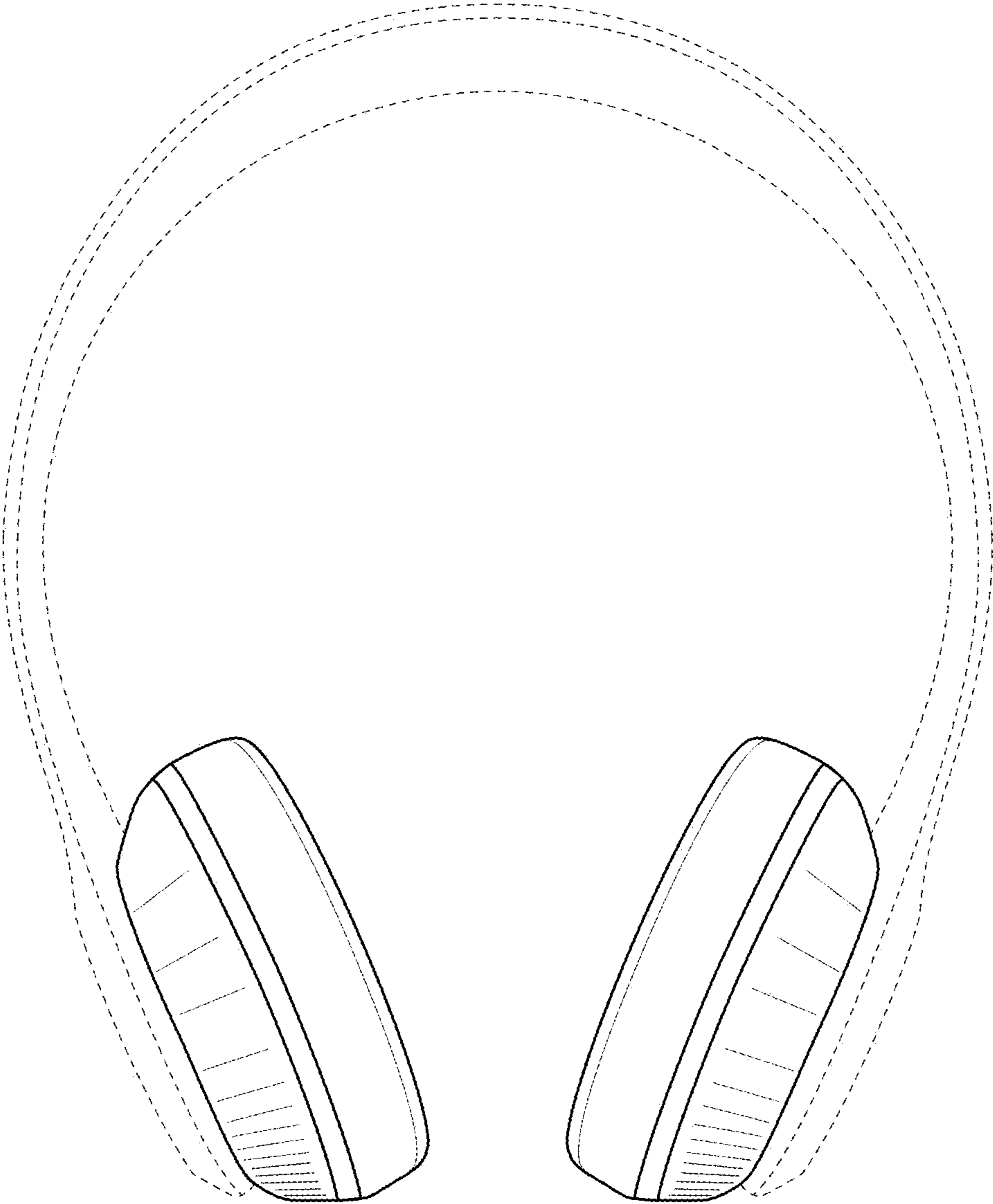


FIG. 3

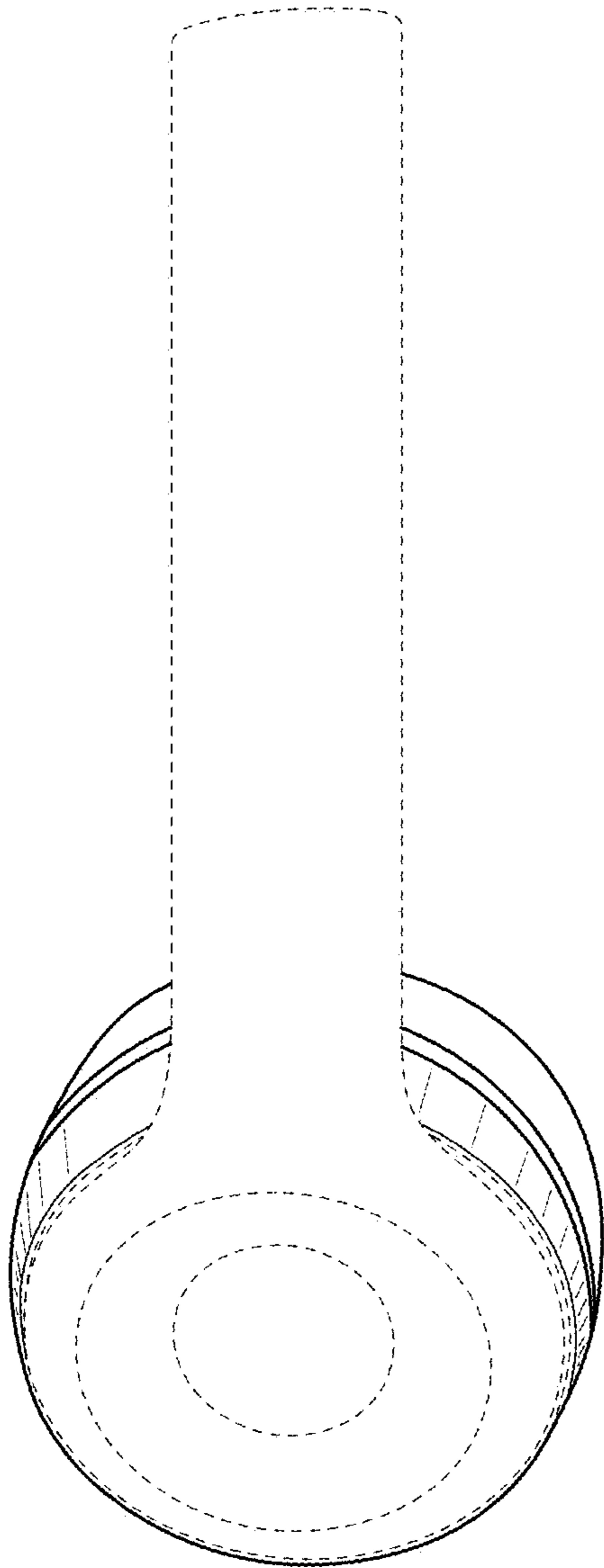


FIG. 4

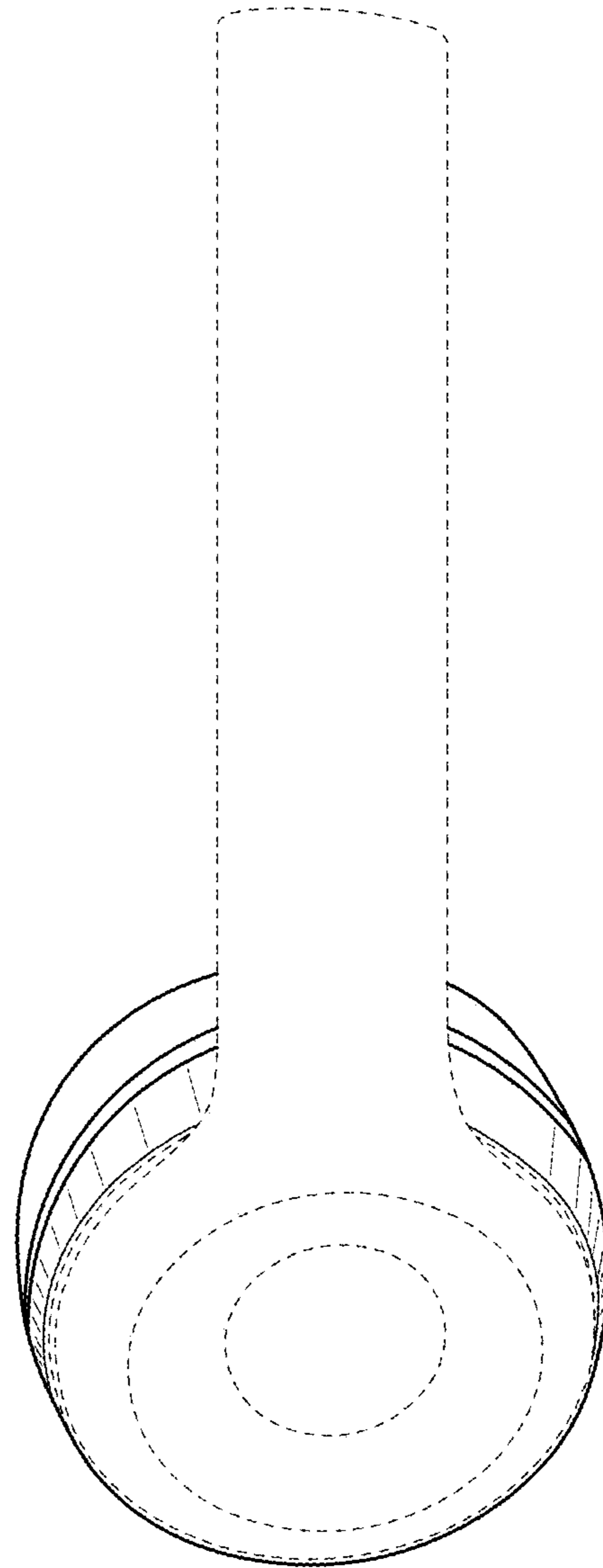


FIG. 5

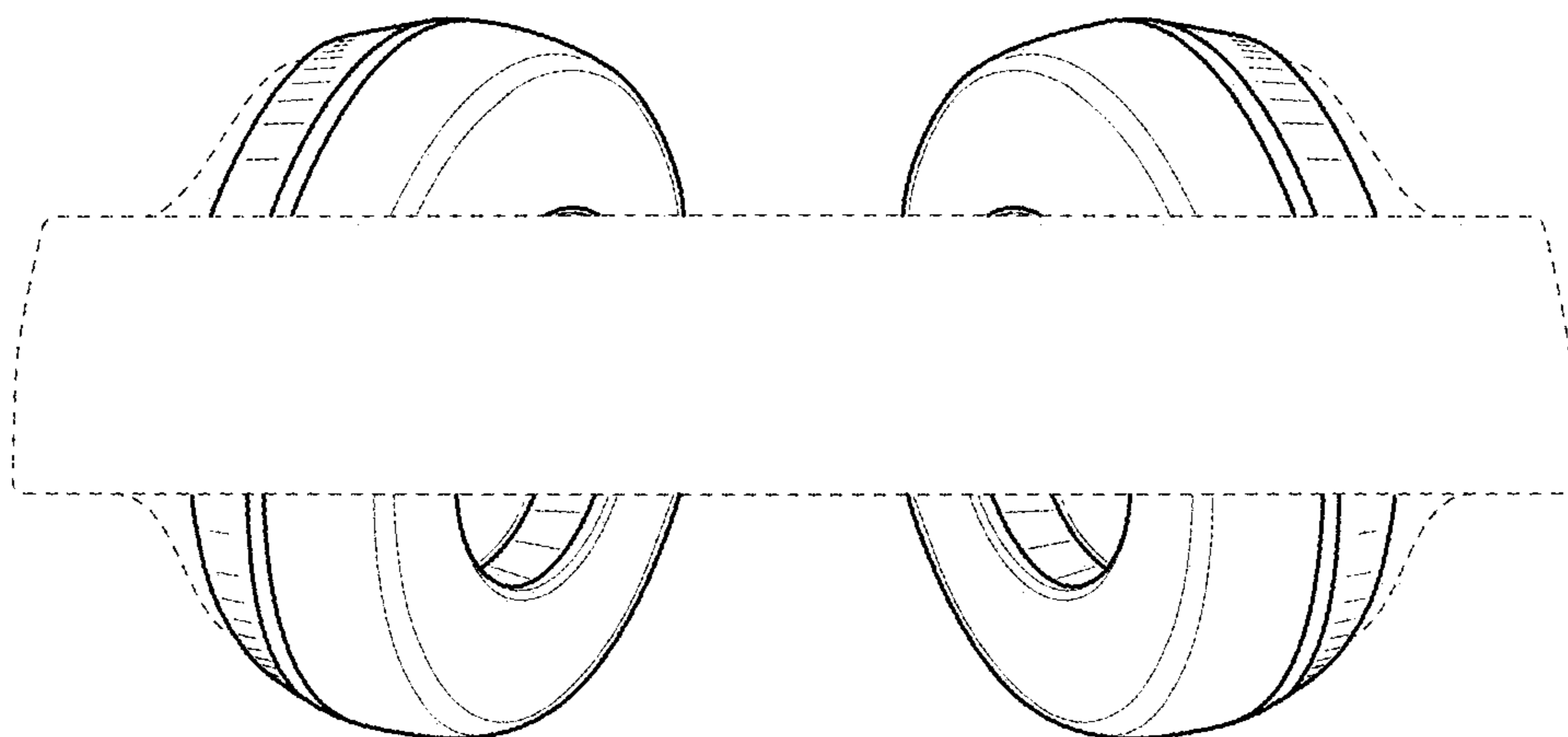


FIG. 6