



US00D925488S

(12) **United States Design Patent**
Pedersen

(10) **Patent No.:** **US D925,488 S**
(45) **Date of Patent:** **** Jul. 20, 2021**

(54) **HEADSET FOR TELEPHONE AND COMMUNICATION EQUIPMENT**

D286,874 S 11/1986 Bertagna
D288,299 S * 2/1987 Mark D10/40
D291,198 S 8/1987 Bellini
4,899,135 A * 2/1990 Ghahariiran G08B 21/0227
340/539.1

(71) Applicant: **GN AUDIO A/S**, Ballerup (DK)

(72) Inventor: **Rasmus Trudslev Pedersen**, Ballerup (DK)

5,018,599 A 5/1991 Dohi
D318,053 S 7/1991 Ludeke et al.
D337,116 S 7/1993 Hattori
D344,730 S 3/1994 Gattey et al.
D345,163 S 3/1994 Yamatogi
D346,802 S 5/1994 Sacherman

(73) Assignee: **GN AUDIO A/S**, Ballerup (DK)

(**) Term: **15 Years**

(Continued)

(21) Appl. No.: **29/732,363**

FOREIGN PATENT DOCUMENTS

(22) Filed: **Apr. 23, 2020**

CN 303478980 12/2015
CN 305227307 6/2018

Related U.S. Application Data

(Continued)

(62) Division of application No. 29/670,994, filed on Nov. 21, 2018, now Pat. No. Des. 898,711.

Primary Examiner — Paula Allen Greene

(74) *Attorney, Agent, or Firm* — Hamre, Schumann, Mueller & Larson, P.C.

(30) **Foreign Application Priority Data**

Jun. 6, 2018 (EM) 005299229-0001
Jun. 6, 2018 (EM) 005299229-0002
Jun. 6, 2018 (EM) 005299229-0003

(57) **CLAIM**

The ornamental design for a headset for telephone and communication equipment, as shown and described.

(51) **LOC (13) Cl.** **14-01**

(52) **U.S. Cl.**
USPC **D14/205**; D14/218

DESCRIPTION

(58) **Field of Classification Search**
USPC D14/205, 223, 217, 218; D13/168;
381/380, 381; 455/90.3, 575.1, 569.1
CPC H04R 25/00; H04R 1/10; H04R 1/1066;
H04R 1/1016; H04R 1/1091; H04R 1/20;
H04R 1/02; H04R 1/1041; H01H 13/04;
G06F 1/16; G06F 5/00

FIG. 1 is a front view of a headset for telephone and communication showing the new design.
FIG. 2 is bottom plan view of FIG. 1 thereof.
FIG. 3 is a top plan view of FIG. 1 thereof.
FIG. 4 is a right side plan view of FIG. 1 thereof.
FIG. 5 is a left side plan view of FIG. 1 thereof.
FIG. 6 is a rear plan view of FIG. 1 thereof; and,
FIG. 7 is a front perspective view of FIG. 1 thereof.

See application file for complete search history.

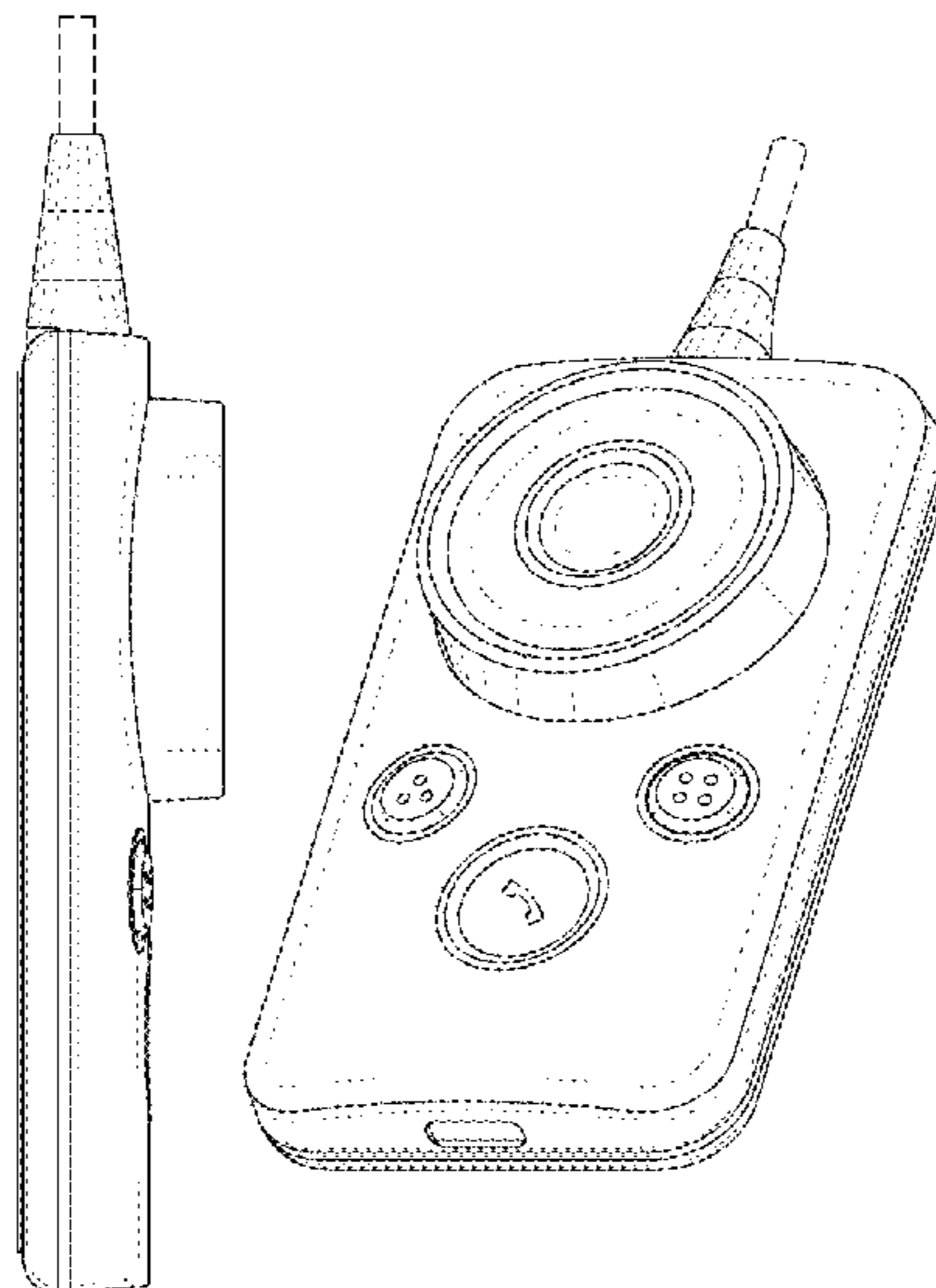
The features shown in broken lines depict environmental subject matter only and form no part of the claimed design.

(56) **References Cited**

U.S. PATENT DOCUMENTS

D246,259 S 11/1977 Nishimura
D246,519 S 11/1977 Kato

1 Claim, 7 Drawing Sheets



(56)

References Cited

U.S. PATENT DOCUMENTS

5,369,857 A	12/1994	Sacherman	
5,406,037 A	4/1995	Nageno	
D377,020 S	12/1996	Bungardt et al.	
D394,437 S	5/1998	Landreth et al.	
D401,911 S *	12/1998	Hwang	D13/168
D410,466 S	6/1999	Mouri	
D410,921 S	6/1999	Luchs	
D415,115 S *	10/1999	Kawashima	D13/168
D420,356 S	2/2000	Suzuki	
6,154,539 A	11/2000	Pitel	
D435,249 S	12/2000	Yasutomi	
D436,348 S	1/2001	McGugan	
D443,870 S	6/2001	Carpenter	
D447,472 S	9/2001	McGugan	
D449,039 S	10/2001	Weikel	
D458,597 S	6/2002	Davies	
6,427,018 B1	7/2002	Keliiliki	
D462,945 S *	9/2002	Skulley	D14/218
D465,476 S *	11/2002	Golding	D14/223
D465,477 S *	11/2002	Beraut	D14/218
6,560,346 B2	5/2003	Ohta	
D479,222 S *	9/2003	Lu	D14/192
6,622,029 B1	9/2003	Skulley et al.	
D482,019 S	11/2003	Petersen	
D484,485 S	12/2003	Matsuoka	
D488,146 S	4/2004	Minto	
D489,052 S *	4/2004	Shiraki	D14/203.3
D494,154 S	8/2004	Polito	
D494,957 S	8/2004	Rath et al.	
D498,470 S	11/2004	Skulley et al.	
D504,414 S	4/2005	Yoshida	
D506,476 S *	6/2005	Andre	D14/203.7
D510,335 S	10/2005	Suzuki	
6,952,481 B2	10/2005	Larsen et al.	
D511,157 S *	11/2005	Johnson	D14/223
6,970,572 B2	11/2005	Murozaki et al.	
D514,086 S	1/2006	Skulley	
D516,576 S *	3/2006	Ive	D14/203.7
D517,052 S *	3/2006	Skulley	D14/223
D517,528 S	3/2006	Skulley	
D518,479 S	4/2006	Skulley	
7,046,230 B2 *	5/2006	Zadesky	G06F 1/1626 345/156
D530,702 S	10/2006	Pritchard et al.	
D531,165 S	10/2006	Rath	
D533,514 S *	12/2006	Hidalgo	D13/168
D534,150 S *	12/2006	Griffin	D14/155
D534,156 S	12/2006	Obata	
7,151,237 B2 *	12/2006	Mahoney	H01H 13/70 200/512
7,172,052 B2	2/2007	Lenhard-Backhaus	
D538,785 S	3/2007	Skulley	
D539,267 S	3/2007	Komiyama	
D539,788 S	4/2007	Thompson	
D539,789 S	4/2007	Rausch	
D540,303 S	4/2007	Rausch	
D540,778 S	4/2007	Thompson et al.	
D541,256 S	4/2007	Rausch	
7,245,737 B2	7/2007	Amae	
D548,728 S *	8/2007	Yoshiyama	D14/218
D549,686 S *	8/2007	Leung	D14/168
D549,688 S	8/2007	Suzuki	
D552,076 S *	10/2007	Griffin	D14/188
D556,155 S *	11/2007	Andre	D13/168
D560,228 S *	1/2008	Andre	D14/496
D563,382 S	3/2008	Wikel	
D565,023 S *	3/2008	Yamagishi	D14/205
D566,104 S	4/2008	Suzuki	
D567,215 S	4/2008	Lee	
7,356,362 B2	4/2008	Chang	
D568,827 S *	5/2008	Ikeda	D13/168
7,388,960 B2	6/2008	Kuo	
D573,957 S	7/2008	Ledbetter	
D577,715 S *	9/2008	Lim	D14/240
D582,890 S	12/2008	Koza	
D587,684 S	3/2009	Ham et al.	
D588,098 S	3/2009	Kurihara	
7,519,196 B2	4/2009	Bech	
D592,640 S	5/2009	Tkachuk	
D593,995 S	6/2009	Shimizu	
D596,623 S *	7/2009	Laine	D14/218
D597,070 S	7/2009	Zheng	
D597,535 S *	8/2009	Brennwald	D14/240
D597,986 S *	8/2009	Millora	D14/138 AB
D601,543 S	10/2009	Bentley	
D602,001 S	10/2009	Bentley	
D602,906 S	10/2009	Groves	
D603,370 S	11/2009	Suzuki	
D604,266 S	11/2009	Milde	
D605,168 S *	12/2009	Jaakkola	D14/205
D606,521 S *	12/2009	Birger	D14/223
D608,767 S *	1/2010	Liner	D14/225
D609,221 S *	2/2010	Kim	D14/218
D611,935 S *	3/2010	Wikel	D14/223
D613,273 S *	4/2010	Liner	D14/223
D617,769 S	6/2010	Birger	
D625,705 S	10/2010	Ohori et al.	
D628,189 S	11/2010	Rath	
D634,732 S	3/2011	Kondo	
D635,962 S	4/2011	Kelley	
D638,000 S	5/2011	Hoggarth	
D639,776 S	6/2011	Arimoto	
D643,405 S	8/2011	Rath	
D645,023 S	9/2011	Brandis	
D646,668 S *	10/2011	Birger	D14/223
D648,330 S	11/2011	Fischer	
8,061,473 B1	11/2011	Kerr	
D652,017 S	1/2012	Groves	
D654,471 S	2/2012	Fischer	
D654,472 S	2/2012	Fischer	
D668,240 S	10/2012	Brandis	
D673,524 S	1/2013	Brennwald	
D677,241 S	3/2013	Kelly	
D681,014 S	4/2013	Ham	
D684,145 S	6/2013	Rath	
D684,559 S	6/2013	Groset	
D691,110 S	10/2013	Ham	
D692,410 S	10/2013	Brunner	
D695,806 S *	12/2013	Konishi	D16/202
D704,167 S *	5/2014	Akana	D14/218
D705,748 S *	5/2014	He	D14/155
D707,655 S	6/2014	Porter	
D709,860 S	7/2014	Brunner	
D716,258 S	10/2014	Awiszus	
D716,259 S	10/2014	Awiszus	
D716,274 S *	10/2014	Henning	D14/223
D716,758 S *	11/2014	Burgett	D14/205
D716,762 S	11/2014	Greve	
D717,275 S *	11/2014	Burgett	D14/205
D718,273 S *	11/2014	Harata	D14/205
D719,135 S	12/2014	Kelley	
D722,302 S	2/2015	Lee et al.	
D725,074 S	3/2015	Boeckel	
D726,147 S	4/2015	Tran	
D726,160 S	4/2015	Chang	
D728,512 S	5/2015	Nakagawa	
D732,002 S	6/2015	Goransson	
D750,042 S	2/2016	Poulsen	
D750,043 S	2/2016	Birger	
D756,969 S *	5/2016	Kim	D14/218
9,426,554 B2	8/2016	Dai	
D769,212 S	10/2016	Larsen	
D783,571 S *	4/2017	Mizrahi	D14/205
D806,675 S	1/2018	Fuglsang	
D806,676 S	1/2018	Fuglsang	
D811,371 S	2/2018	Meyer	
D820,812 S	6/2018	Bidwell et al.	
D822,638 S	7/2018	Liu	
D830,339 S	10/2018	Yan	
D842,267 S	3/2019	Pedersen	
D843,967 S	3/2019	Paterson	
D847,782 S	5/2019	Wernblad	
D847,783 S	5/2019	Wernblad et al.	
D847,784 S	5/2019	Wernblad	

(56)

References Cited

U.S. PATENT DOCUMENTS

D848,395	S	5/2019	Kelley	
D866,513	S	11/2019	Lindof	
D866,514	S	11/2019	Lindof	
D867,330	S	11/2019	Lindof	
D867,331	S	11/2019	Lindof	
D868,734	S	12/2019	Wang	
D873,245	S *	1/2020	Russo	D14/218
D875,073	S	2/2020	Pedersen	
D885,364	S	5/2020	Paterson et al.	
D893,437	S *	8/2020	Dimberg	D13/171
D895,569	S *	9/2020	Roberts	D14/205
D898,701	S	10/2020	Zhong	
D898,711	S *	10/2020	Pedersen	D14/225
D906,282	S	12/2020	Kelley et al.	
2003/0095096	A1 *	5/2003	Robbin	G06F 3/03543 345/156
2008/0032737	A1 *	2/2008	Liu	H04M 1/72403 455/556.1
2011/0135134	A1	6/2011	Essabar	
2011/0206216	A1	8/2011	Brunner	
2011/0306393	A1	12/2011	Goldman	
2012/0163616	A1	6/2012	Birch	
2012/0328119	A1	12/2012	Heise	
2020/0413195	A1	12/2020	Wahlin	

FOREIGN PATENT DOCUMENTS

CN	305227308	6/2018
CN	305412569	11/2019
CN	306128872	10/2020
CN	306128873	10/2020
CN	306210268	12/2020
EM	001676982-0002	8/2012
JP	D1106438	2/2001

* cited by examiner

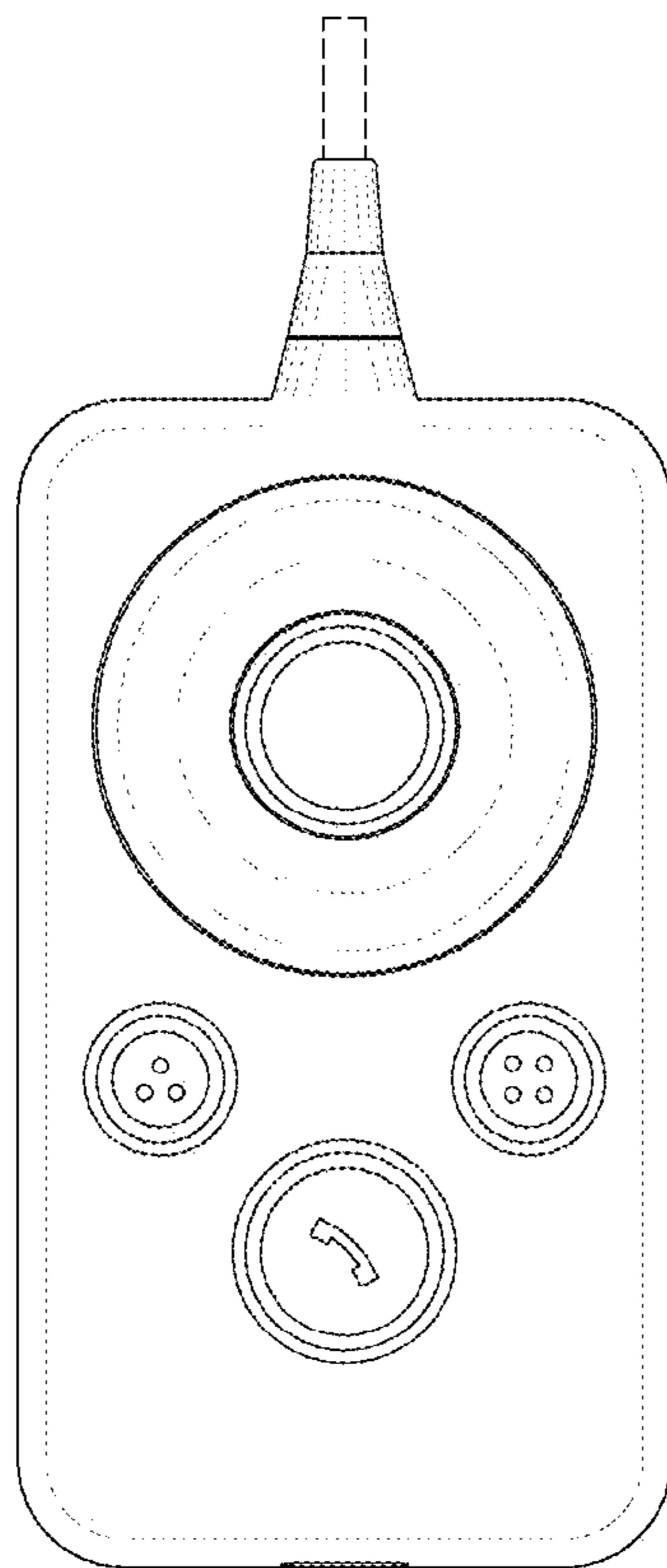


FIG.1

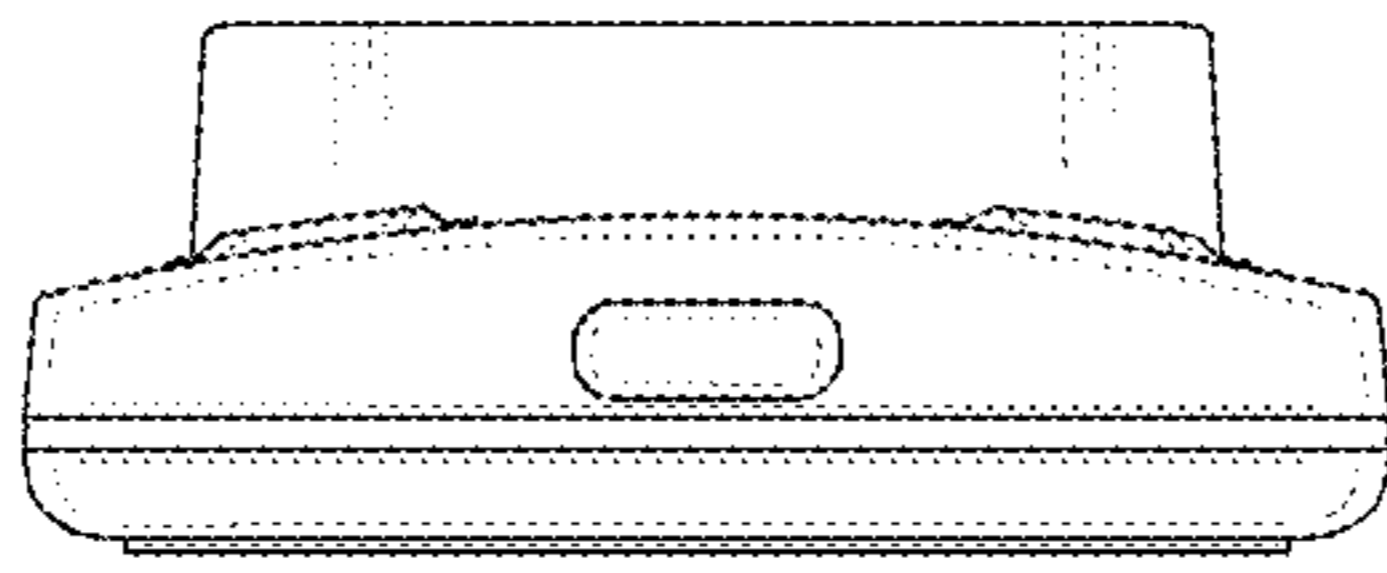


FIG.2

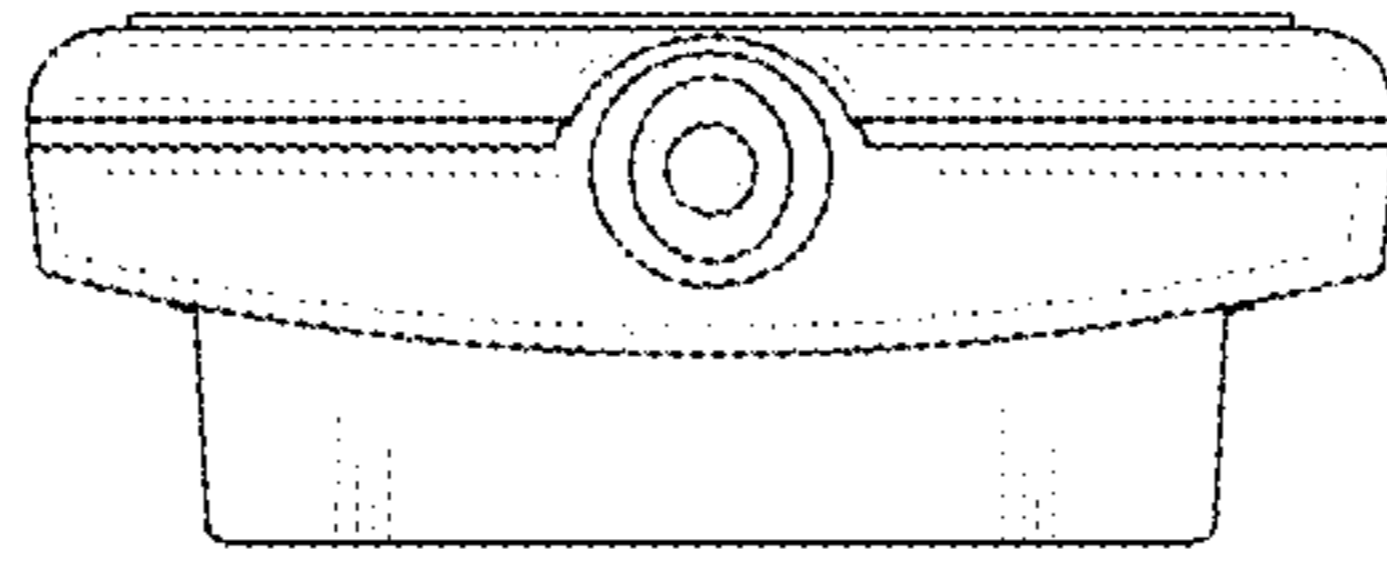


FIG.3

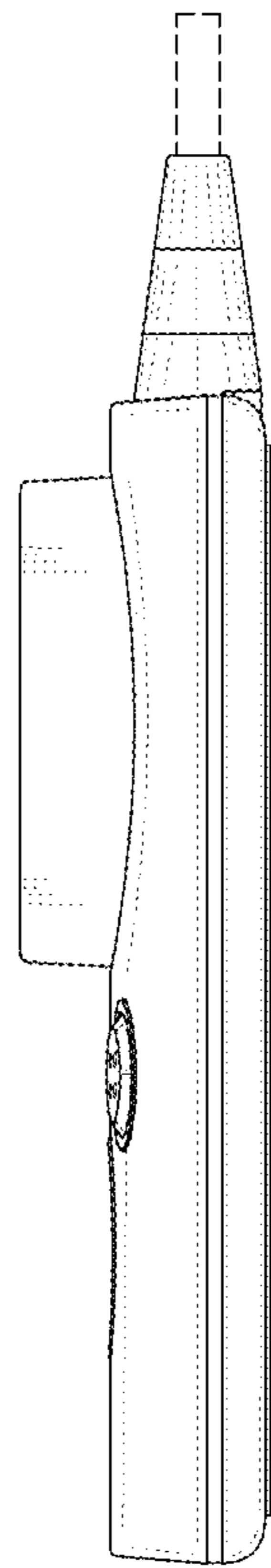


FIG.4

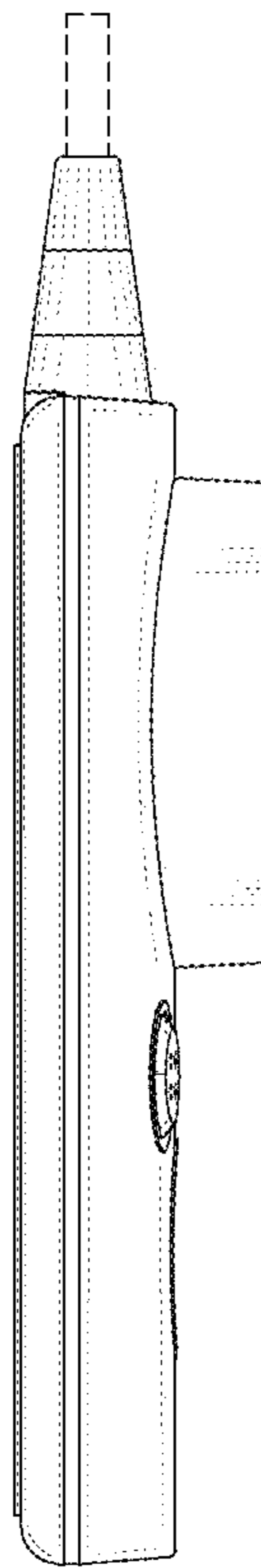


FIG.5

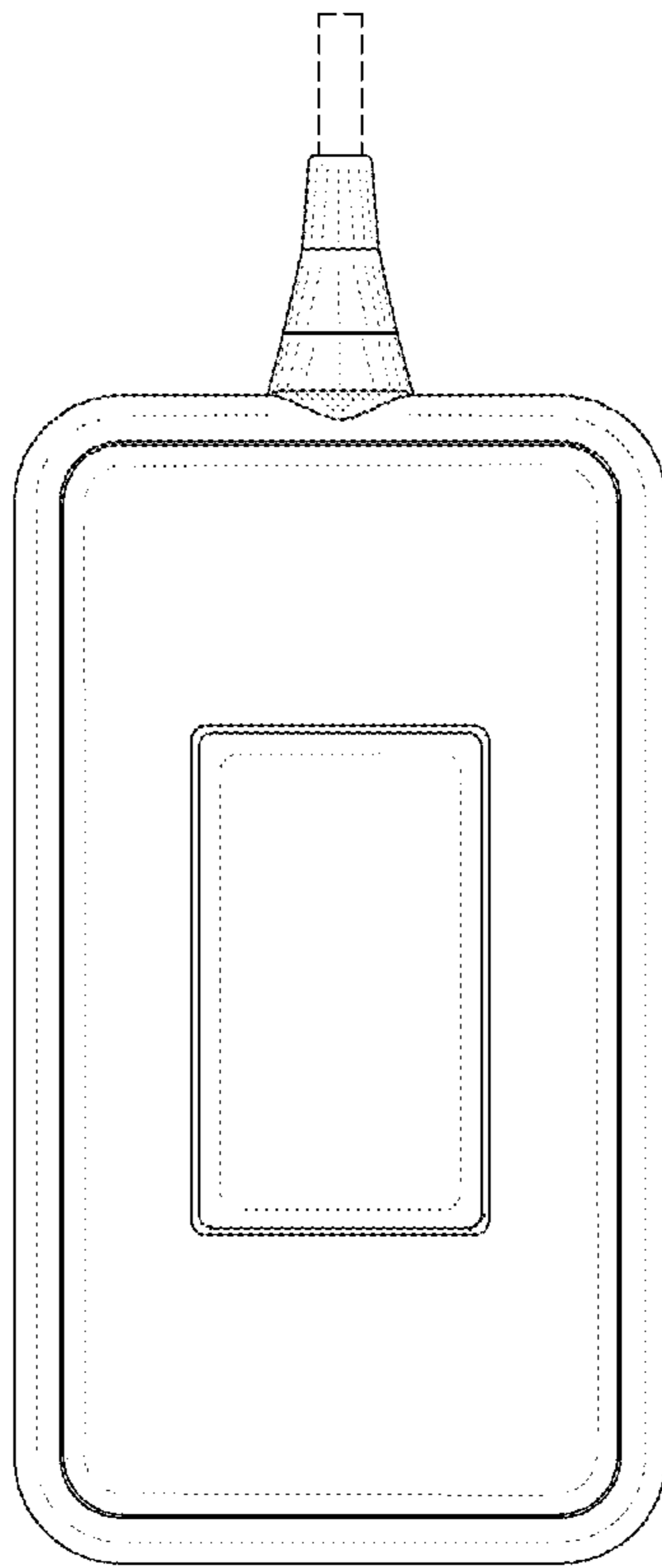


FIG. 6

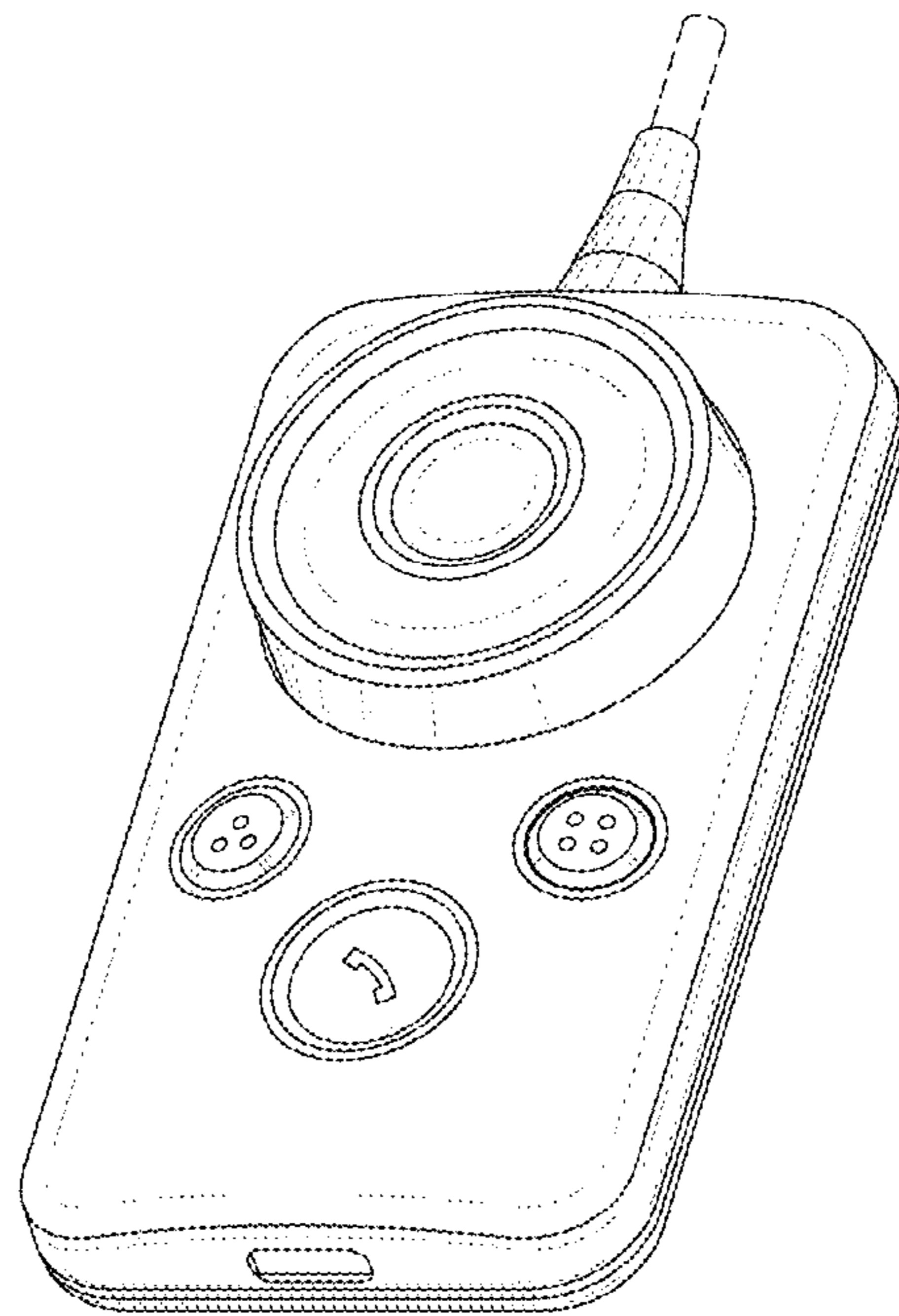


FIG.7