



US00D925487S

(12) **United States Design Patent** (10) **Patent No.:** **US D925,487 S**
Lee et al. (45) **Date of Patent:** **** Jul. 20, 2021**

(54) **AUDIO PLAYER**

(71) Applicant: **LG ELECTRONICS INC.**, Seoul (KR)

(72) Inventors: **Seungdon Lee**, Seoul (KR); **Jongyoun Shin**, Seoul (KR); **Inhyeuk Choi**, Seoul (KR)

(73) Assignee: **LG ELECTRONICS INC.**, Seoul (KR)

(**) Term: **15 Years**

(21) Appl. No.: **29/710,289**

(22) Filed: **Oct. 22, 2019**

(51) **LOC (13) Cl.** **14-01**

(52) **U.S. Cl.**

USPC **D14/204**; D14/215

(58) **Field of Classification Search**

USPC D14/204–216, 217–222, 155–159, D14/160–173, 187, 188, 203.1–203.8

CPC H04R 1/02; H04R 1/021; H04R 1/023; H04R 5/00; H04R 9/06; H04R 2420/07

See application file for complete search history.

(56) **References Cited**

U.S. PATENT DOCUMENTS

D268,673 S *	4/1983	Iijima	D14/214
D391,260 S *	2/1998	Makinen	D14/214
D405,085 S *	2/1999	Ito	D14/214
D434,751 S *	12/2000	Sogabe	D14/214
D460,958 S *	7/2002	Suzuki	D14/214
D516,544 S *	3/2006	Motoishi	D14/214
D519,105 S *	4/2006	Masui	D14/214
D542,276 S *	5/2007	Hibino	D14/214
D542,277 S *	5/2007	Hibino	D14/214
D544,463 S *	6/2007	Harris	D14/168
D544,855 S *	6/2007	Hibino	D14/214
D546,817 S *	7/2007	Wathen	D14/215

D723,518 S *	3/2015	Moon	D14/215
D727,296 S *	4/2015	Hartmann	D14/215
D748,604 S *	2/2016	Hartmann	D14/214
D754,097 S *	4/2016	Pineau	D14/204
D788,068 S *	5/2017	Pineau	D14/204

(Continued)

FOREIGN PATENT DOCUMENTS

CN	201930574824.3	*	6/2020
EM	005943420-0001	*	3/2019

(Continued)

OTHER PUBLICATIONS

4800W Hi-Fi Entertainment System, review date 2016 [online], [retrieved Oct. 28, 2020], Retrieved from Internet, URL: <https://www.lg.com/US/home-audio/lg-CM9960-mini-shelf/reviews> (Year: 2016).*

(Continued)

Primary Examiner — Barbara Fox

Assistant Examiner — Aram Kwon

(74) *Attorney, Agent, or Firm* — Birch, Stewart, Kolasch & Birch, LLP

(57)

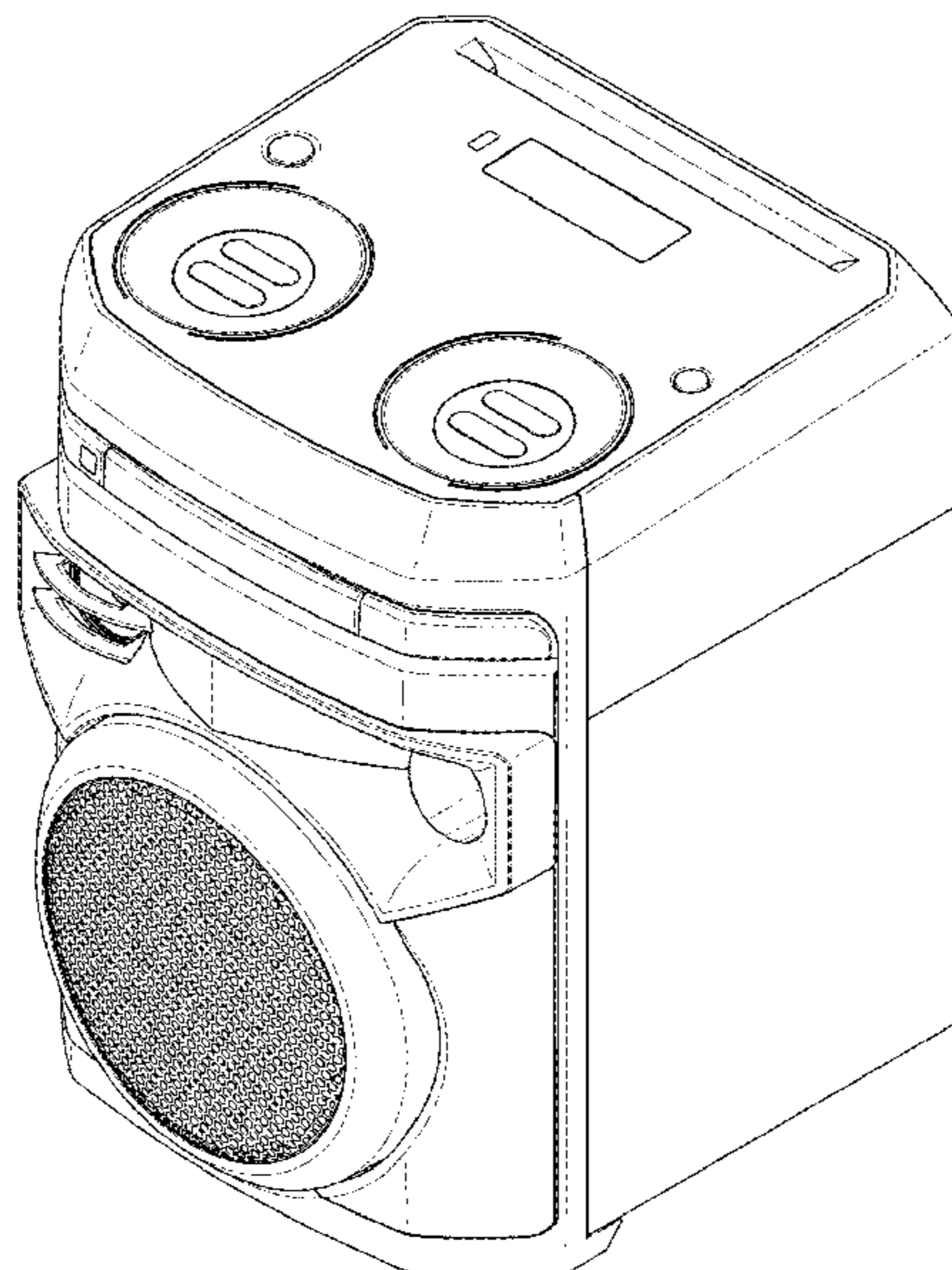
CLAIM

The ornamental design for an audio player, as shown and described.

DESCRIPTION

FIG. 1 is a front, right side, perspective view of an audio player showing our new design; FIG. 2 is a front view thereof; FIG. 3 is a rear view thereof; FIG. 4 is a left side view thereof; FIG. 5 is a right side view thereof; FIG. 6 is a top view thereof; and, FIG. 7 is a bottom view thereof. The broken lines depict portions of the audio player that form no part of the claimed design.

1 Claim, 7 Drawing Sheets



(56)

References Cited

U.S. PATENT DOCUMENTS

D832,236 S * 10/2018 Nugent D14/214
D851,619 S * 6/2019 McManigal D14/204
D862,523 S * 10/2019 Chong D14/500
D891,395 S * 7/2020 Kim D14/204
2013/0329929 A1* 12/2013 Yoshida H04R 1/02
381/334

FOREIGN PATENT DOCUMENTS

EM 007076278-0001 * 4/2020
GB 2053894 * 5/1996
KR 3020190049922 * 6/2020

OTHER PUBLICATIONS

LG CK99 5000W Bluetooth Music System, review date Jun. 29, 2018 [online], [retrieved Oct. 28, 2020], Retrieved from Internet, URL: <https://www.bhphotovideo.com/c/product/1395115-REG/lg_ck99_5000w_hi-fi_shelf.html/reviews> (Year: 2018).*

* cited by examiner

FIG. 1

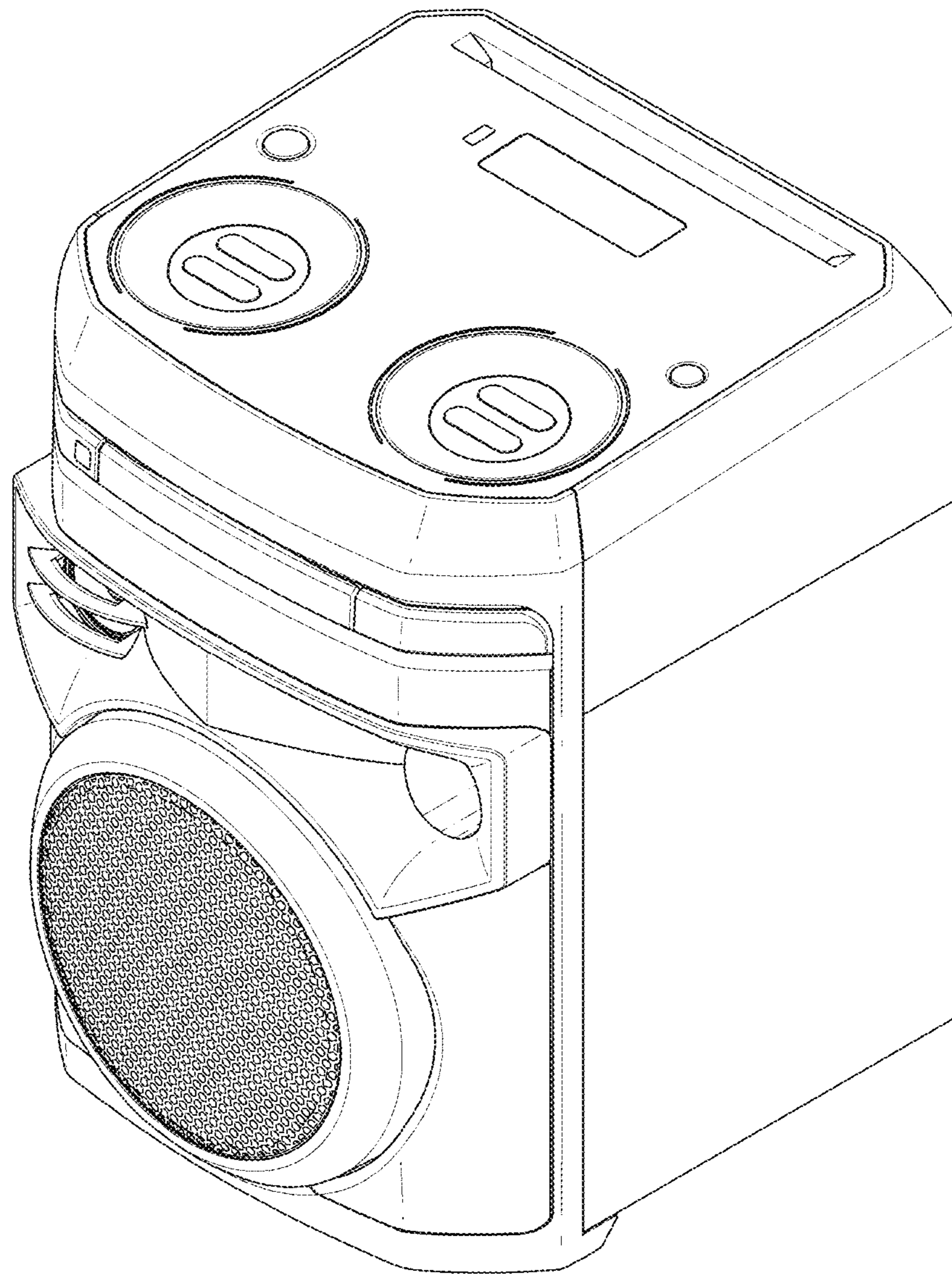


FIG. 2

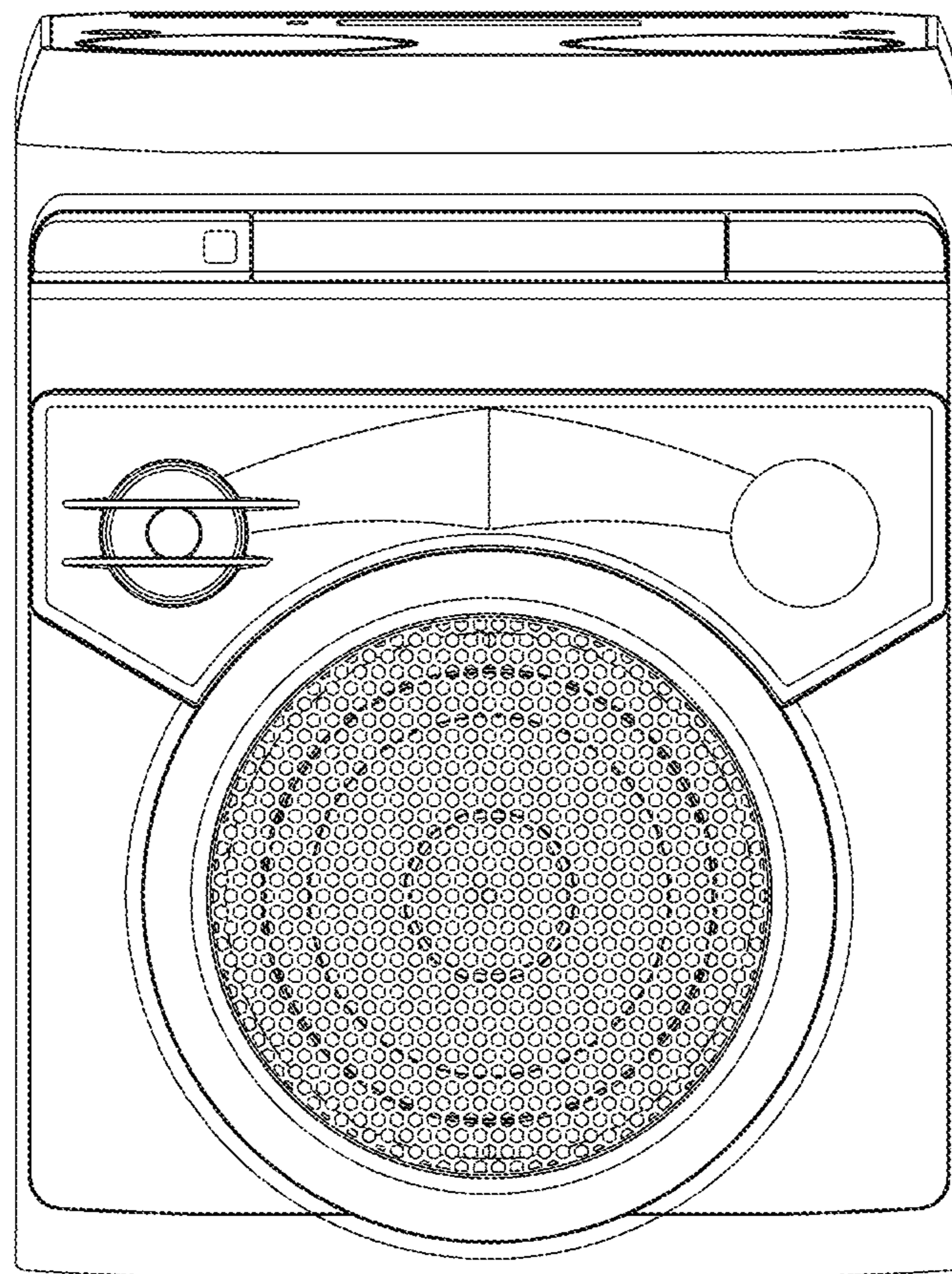


FIG. 3

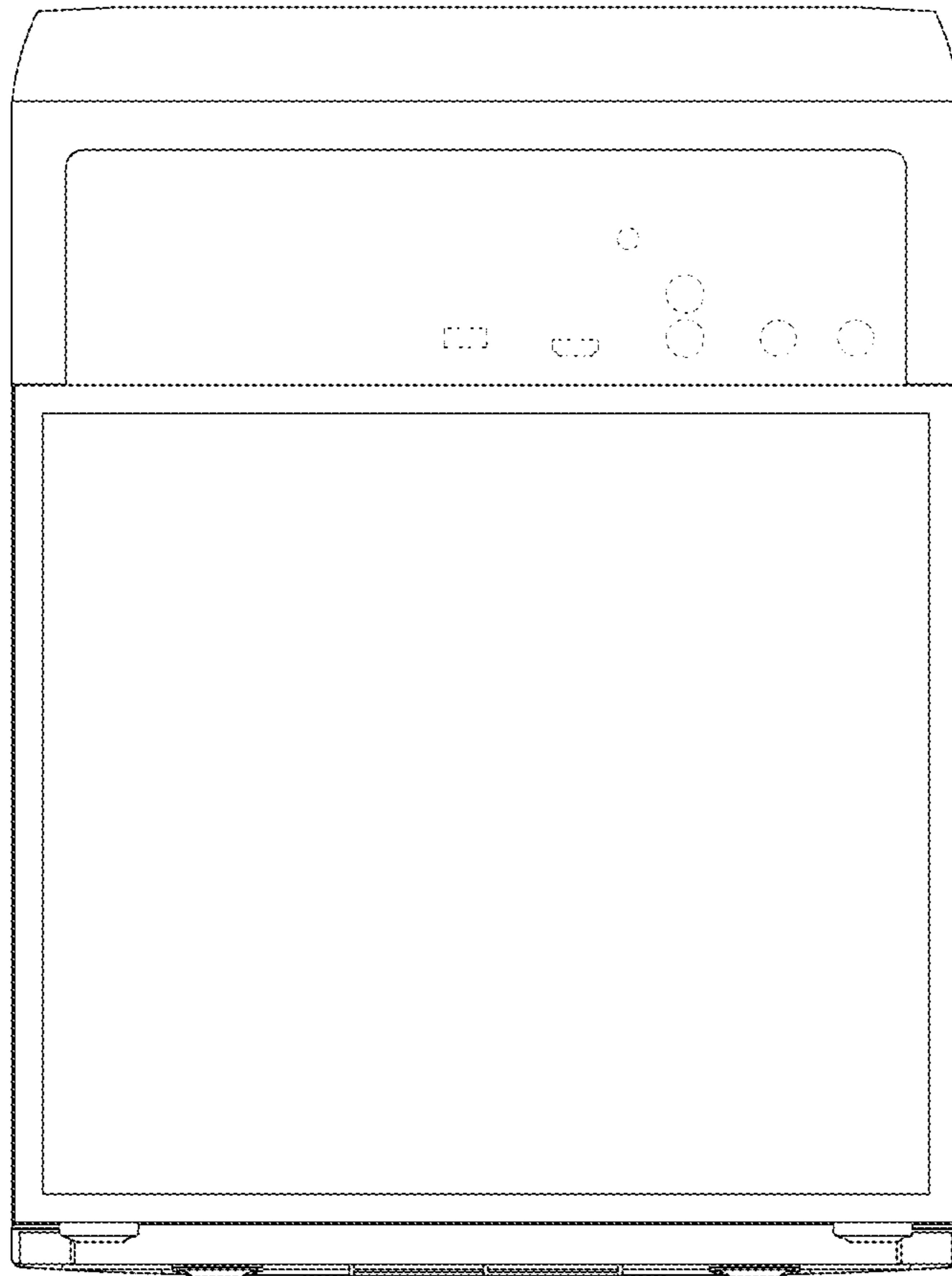


FIG. 4

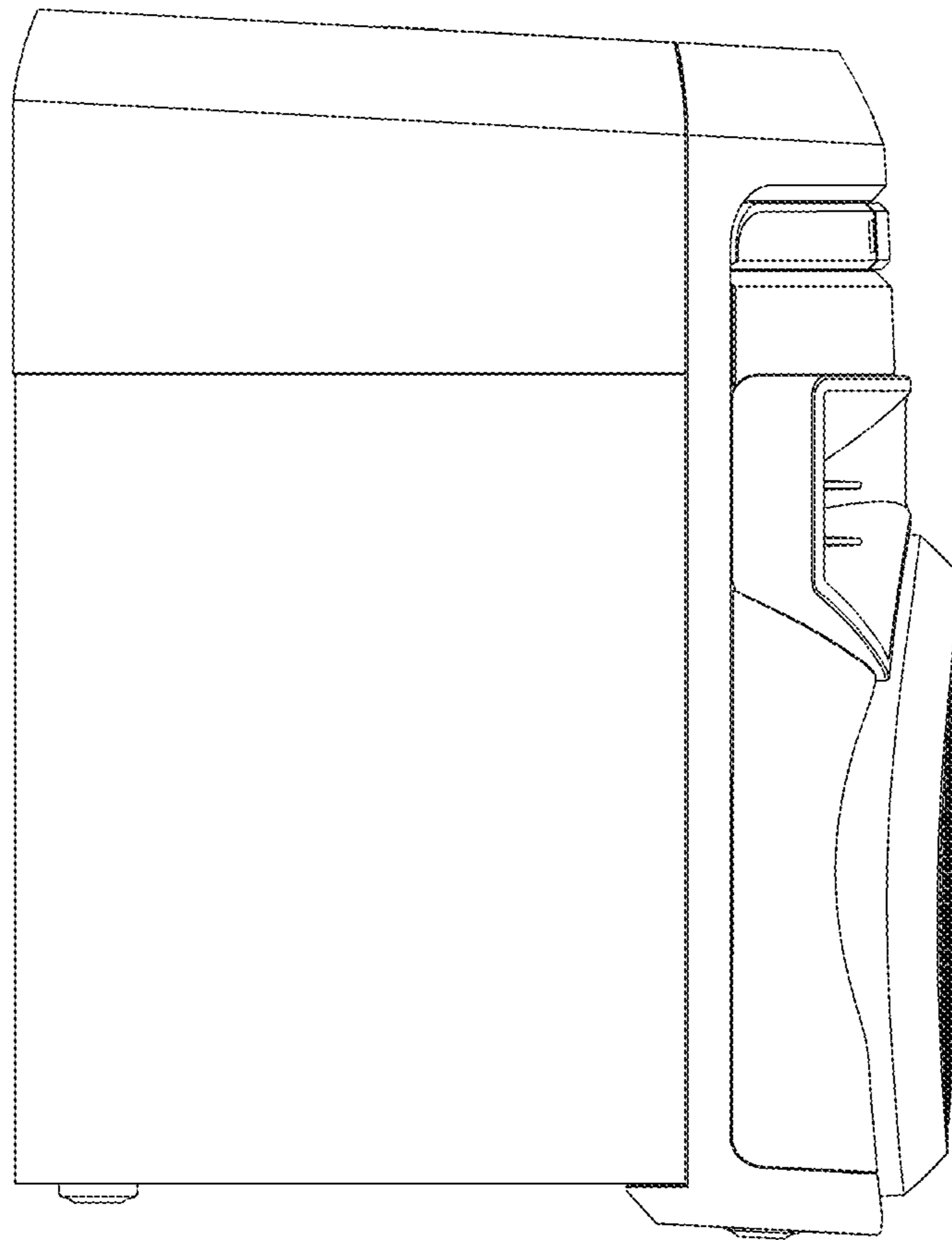


FIG. 5

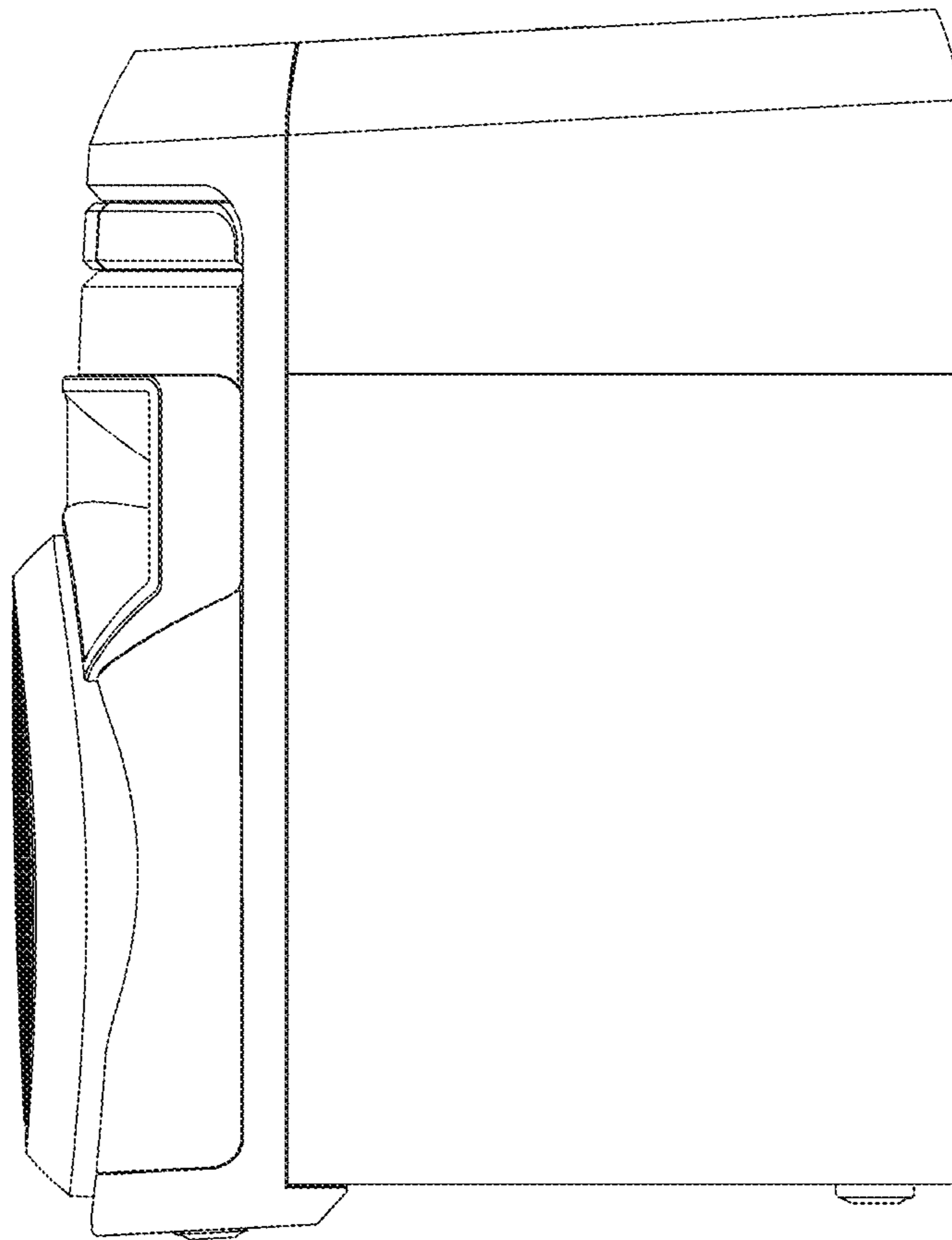


FIG. 6

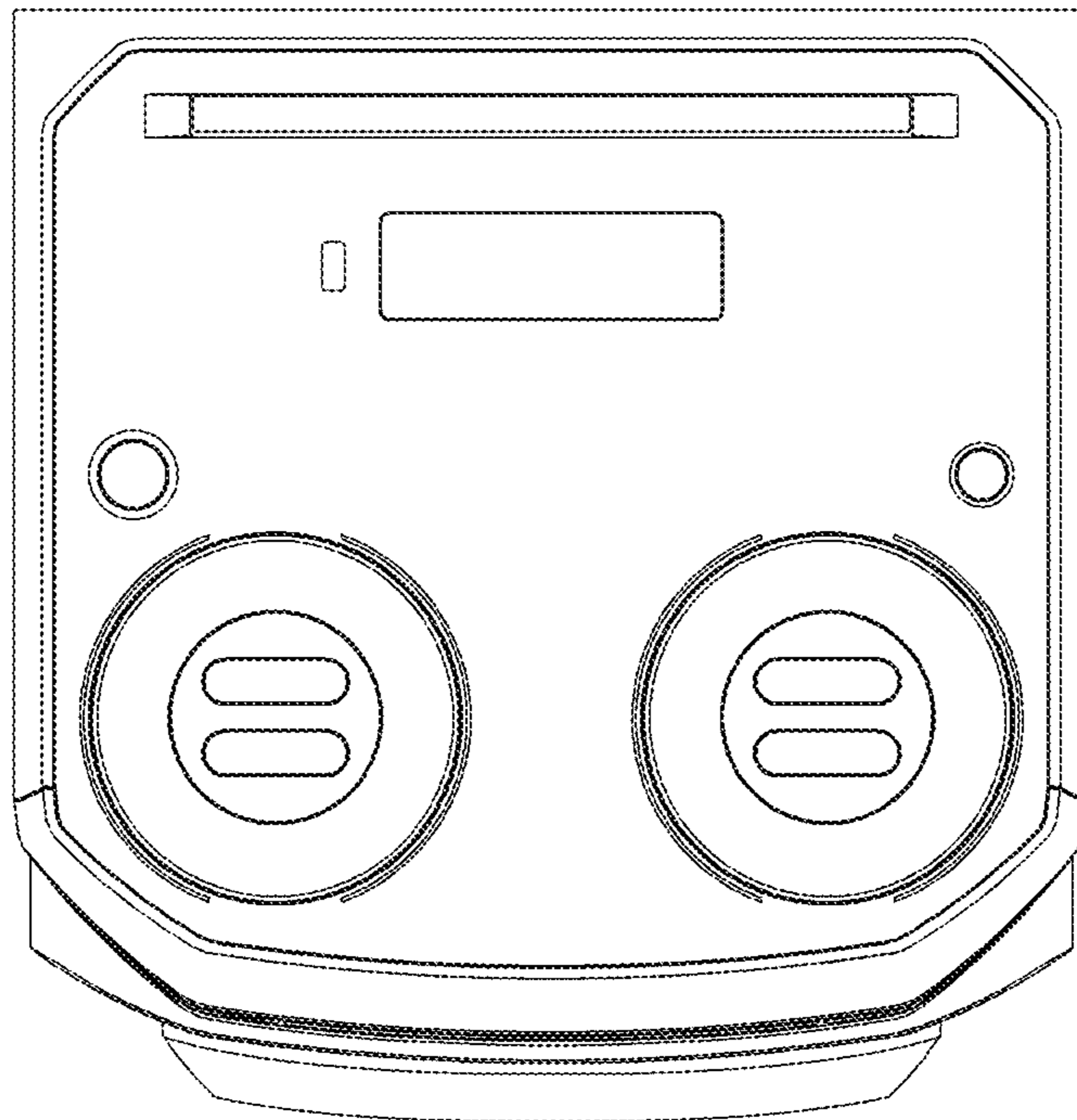


FIG. 7

