



US00D925485S

(12) **United States Design Patent**
Wang

(10) **Patent No.:** **US D925,485 S**
(45) **Date of Patent:** **** Jul. 20, 2021**

(54) **WALKIE-TALKIE**
(71) Applicant: **SHENZHEN HUIKE ELECTRONICS CO., LTD.**, Shenzhen (CN)
(72) Inventor: **Gongrang Wang**, Biyang County (CN)
(73) Assignee: **SHENZHEN HUIKE ELECTRONICS CO., LTD.**, Shenzhen (CN)

D499,391 S * 12/2004 Robertson, Jr. D14/137
D576,124 S * 9/2008 Nishizawa D14/137
D576,125 S * 9/2008 Nishizawa D14/137
D602,893 S * 10/2009 Nishida D14/137
D731,452 S * 6/2015 Yong D14/137
D816,632 S * 5/2018 Yamamoto D14/137
D862,812 S * 10/2019 Jia D30/199
D880,442 S * 4/2020 Wang D14/137
D891,385 S * 7/2020 Zhang D14/137
2013/0287213 A1 * 10/2013 Sekiyama H04M 1/18 381/55

(**) Term: **15 Years**

(21) Appl. No.: **29/705,190**

(22) Filed: **Sep. 10, 2019**

(30) **Foreign Application Priority Data**

May 28, 2019 (CN) 201930267885.5

(51) **LOC (13) Cl.** **14-03**

(52) **U.S. Cl.**
USPC **D14/137**

(58) **Field of Classification Search**
USPC D14/137, 138 R, 138 AA, 138 AD; D10/104.1
CPC .. H04B 1/3833; H04B 1/3827; H04B 1/3855; H04B 2001/3861; H04M 1/0202; H04M 1/03; H04M 1/035
See application file for complete search history.

(56) **References Cited**

U.S. PATENT DOCUMENTS

D446,195 S * 8/2001 Chamberlain D14/137
D446,780 S * 8/2001 Sedan D14/137
D467,889 S * 12/2002 Cebe D14/137

FOREIGN PATENT DOCUMENTS

EM 006530135-0001 * 6/2019

* cited by examiner

Primary Examiner — Bridget L Eland

(74) *Attorney, Agent, or Firm* — Li & Cai Intellectual Property (USA) Office

(57) **CLAIM**

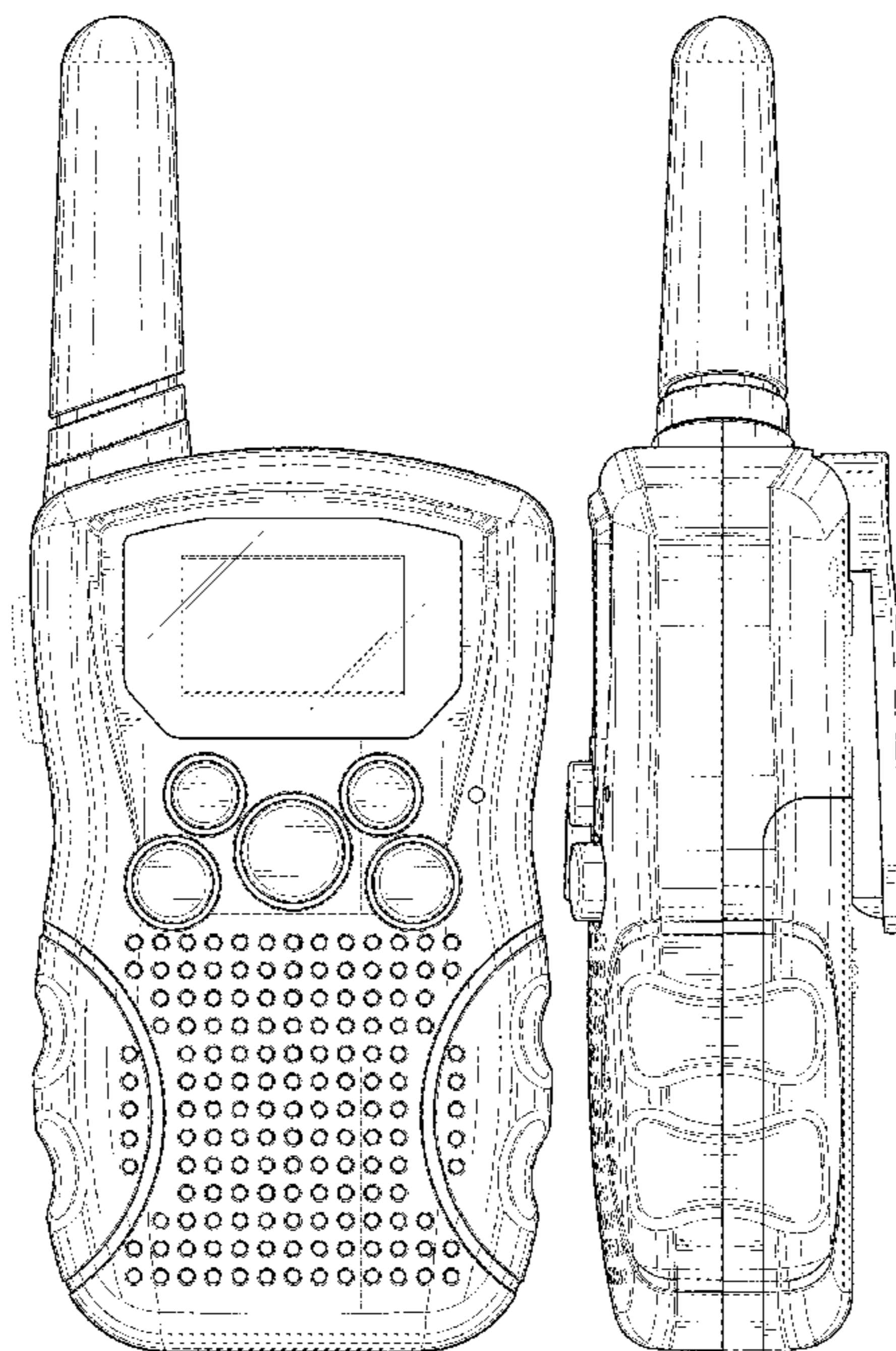
The ornamental design for a walkie-talkie, as shown and described.

DESCRIPTION

FIG. 1 is a front and top perspective view of a walkie-talkie showing my new design;
FIG. 2 is a front elevational view thereof;
FIG. 3 is a rear elevational view thereof;
FIG. 4 is a left side elevational view thereof;
FIG. 5 is a right side elevational view thereof;
FIG. 6 is a top plan view thereof; and,
FIG. 7 is a bottom plan view thereof.

The broken lines depict portions of the walkie-talkie in which the design is embodied that forms no part of the claimed design.

1 Claim, 6 Drawing Sheets



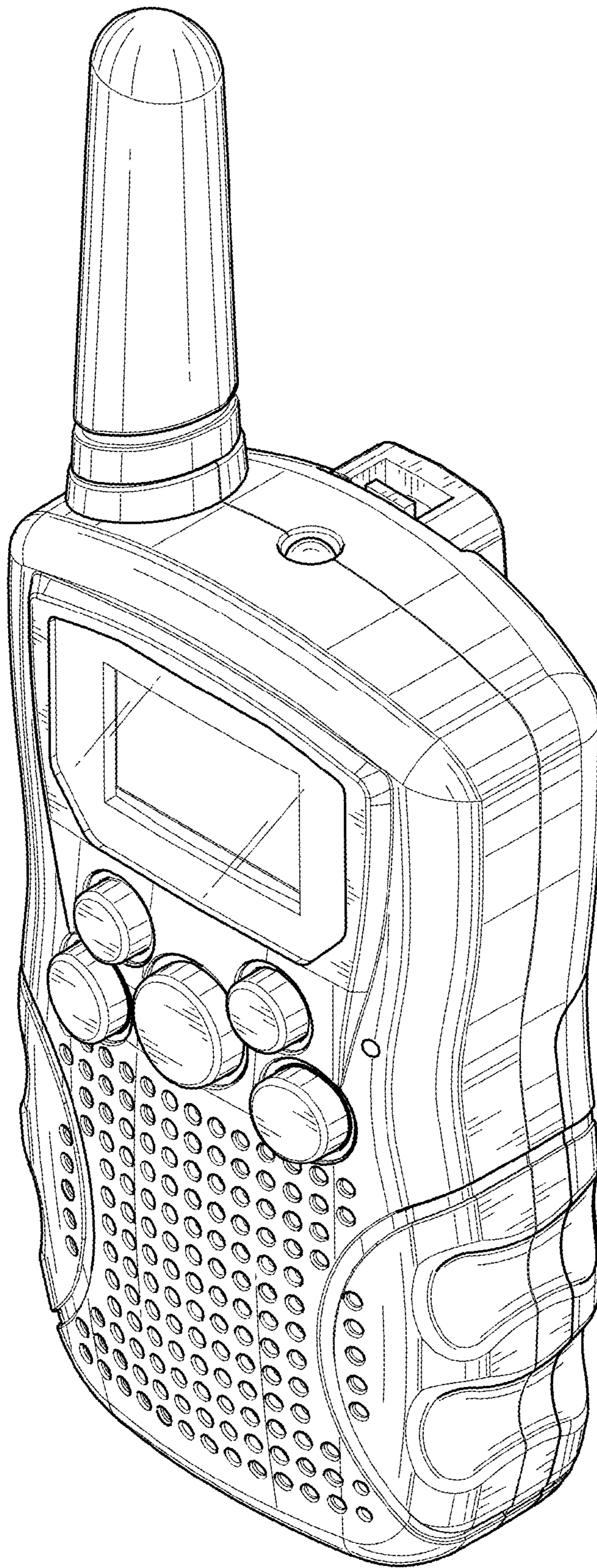


FIG. 1

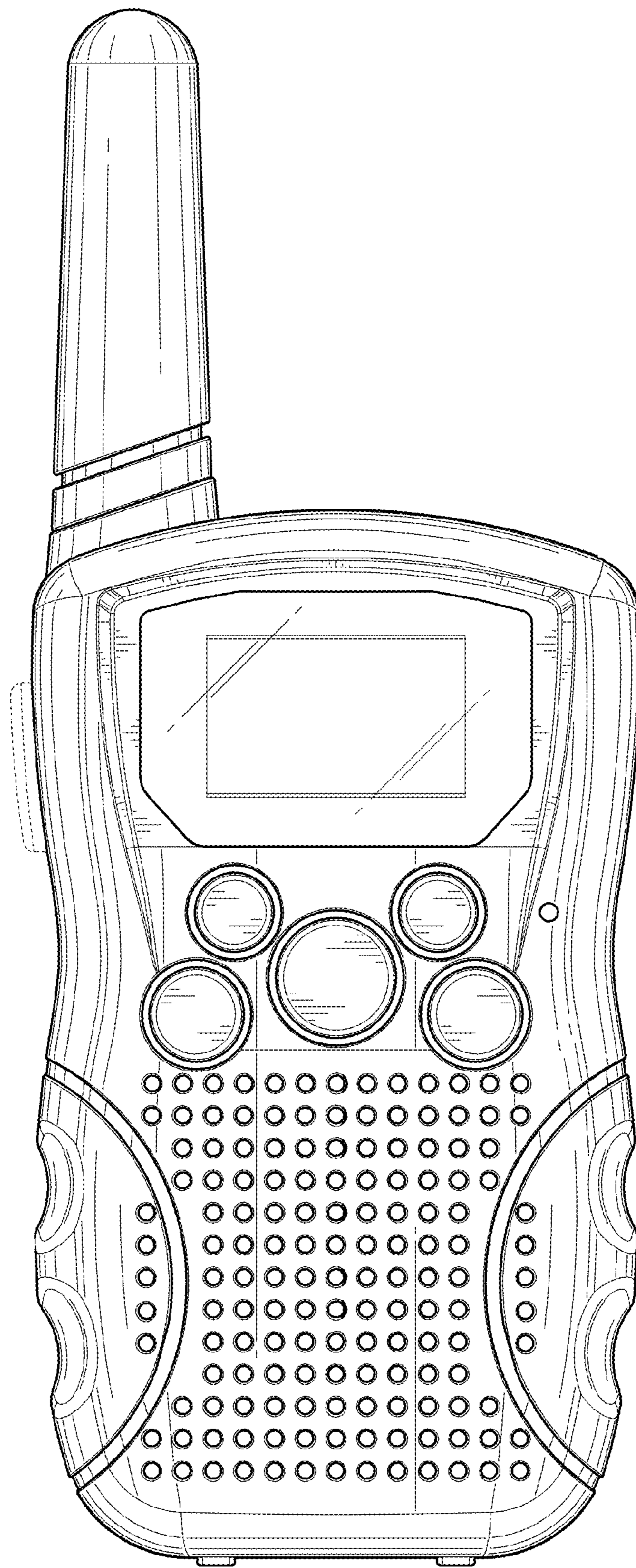


FIG. 2

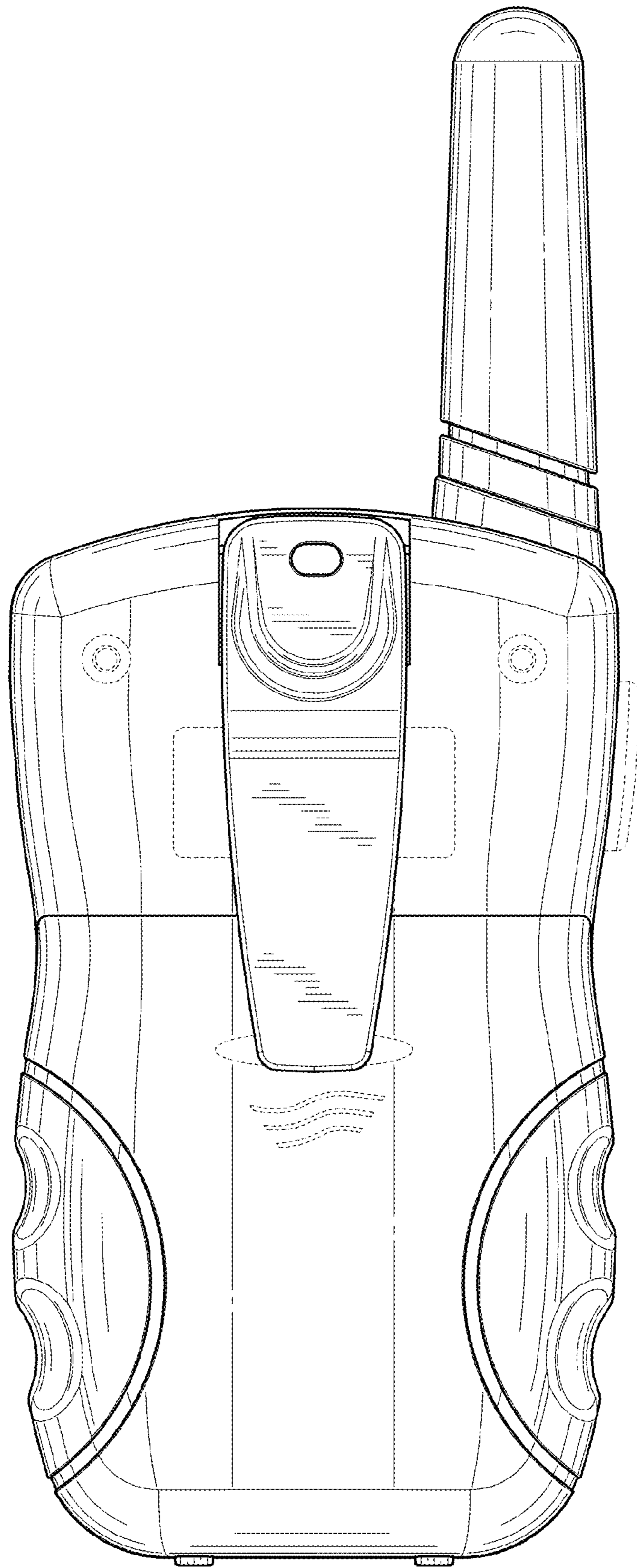


FIG. 3

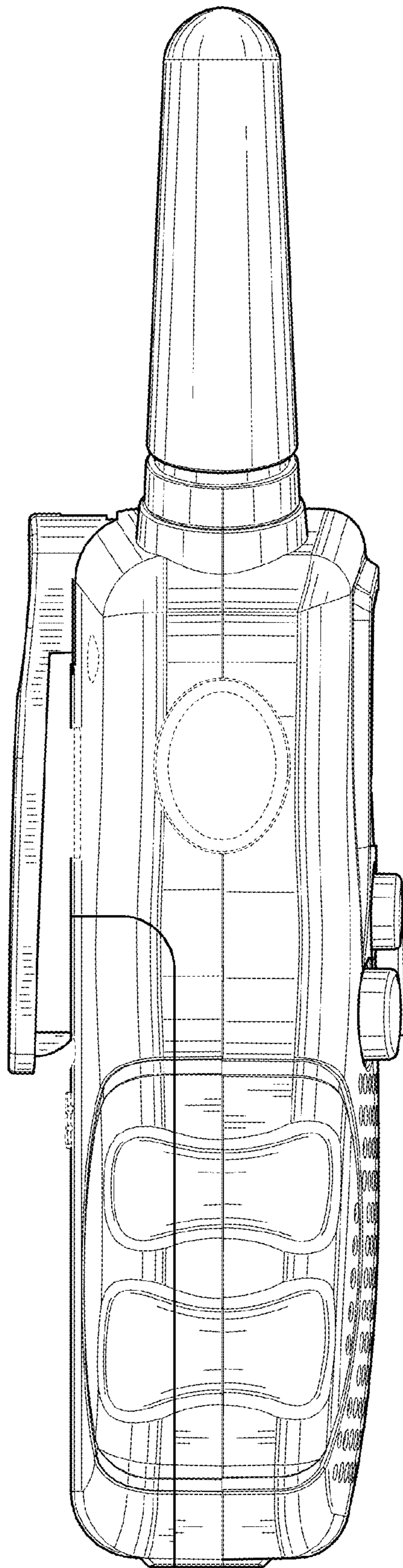


FIG. 4

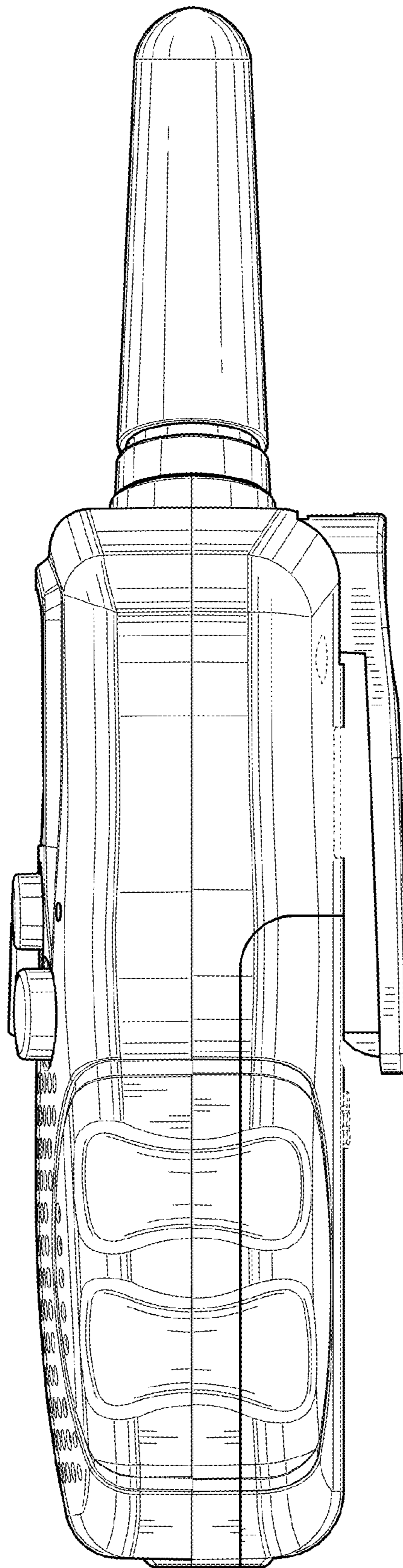


FIG. 5

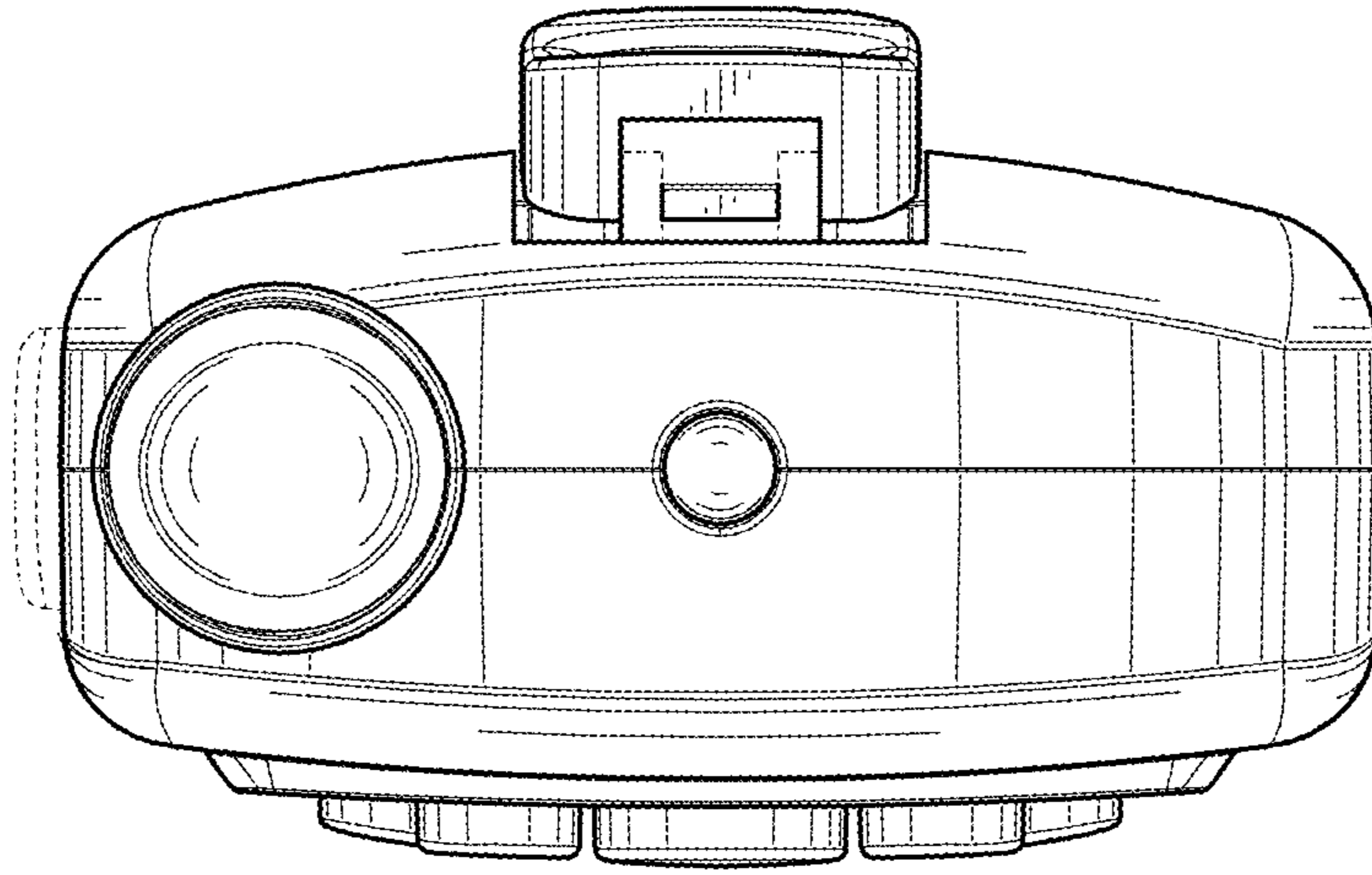


FIG. 6

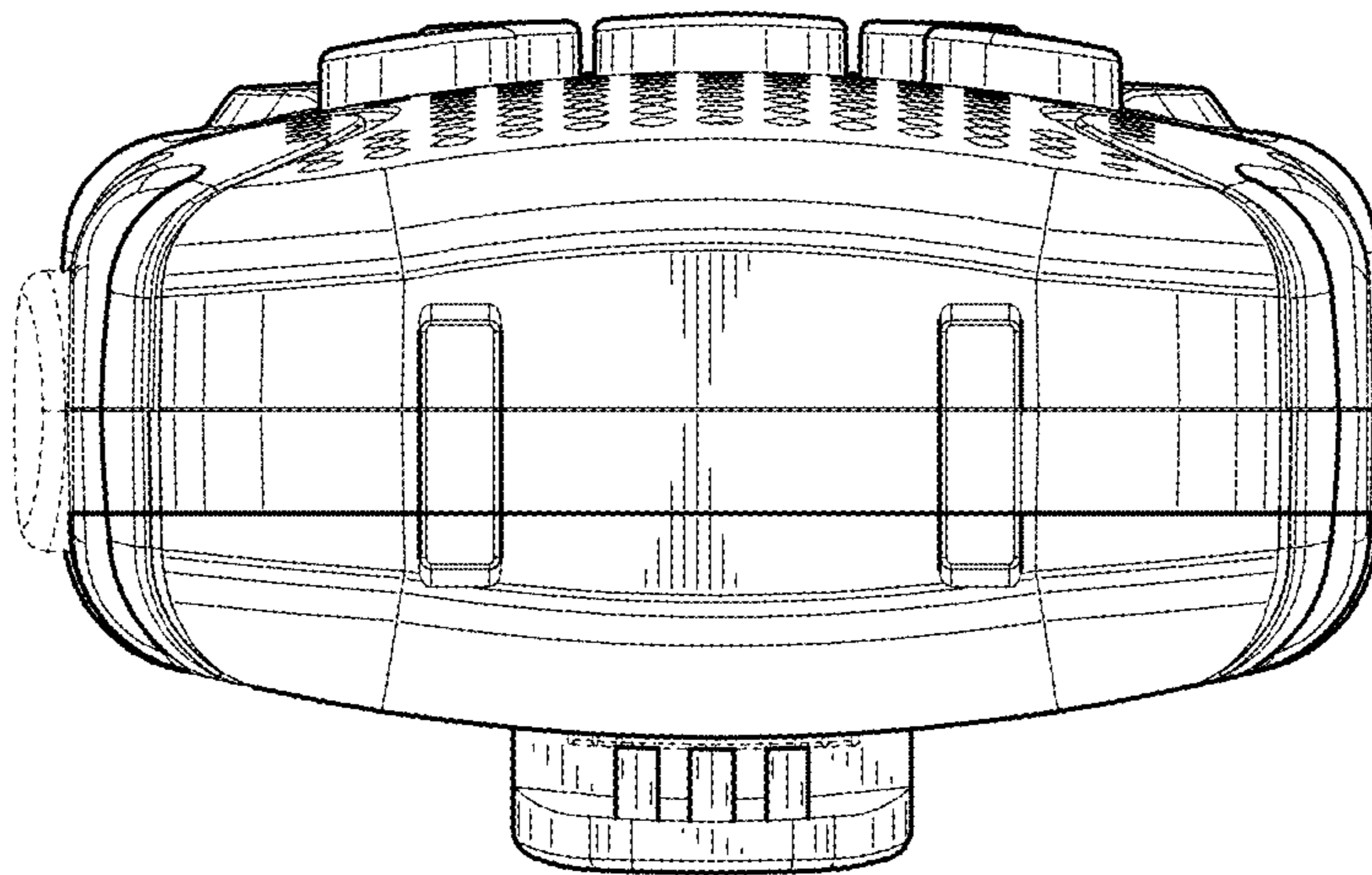


FIG. 7