



US00D925483S

(12) **United States Design Patent**
Elaschuk et al.

(10) **Patent No.:** **US D925,483 S**
(45) **Date of Patent:** **** Jul. 20, 2021**

(54) **ELECTRONICS ENCLOSURE**
(71) Applicant: **Profire Energy, Inc.**, Lindon, UT (US)
(72) Inventors: **Steven William Elaschuk**, Edmonton (CA); **Kip Michael Hampson**, Edmonton (CA); **Florian Benoit Charlet**, Chamonix Mont-Blanc (FR); **Patrick David Fisher**, Spruce Grove (CA)

(73) Assignee: **Profire Energy, Inc.**, Lindon, UT (US)

(**) Term: **15 Years**

(21) Appl. No.: **29/724,838**

(22) Filed: **Feb. 19, 2020**

(51) **LOC (13) Cl.** **13-03**

(52) **U.S. Cl.**
USPC **D13/184**

(58) **Field of Classification Search**
USPC D13/158, 159, 160, 161, 162, 184, 199;
200/43.14, 50.01, 50.21-50.23, 51 R, 293,
200/400, 401; 361/42, 44, 45, 50, 71,
361/115, 608, 634, 736; 174/50;
220/3.2, 3.3, 3.8, 4.02, 243, 244;
439/135, 367, 373, 535, 892; 109/73
CPC H02B 1/40; H02B 1/00
See application file for complete search history.

(56) **References Cited**

U.S. PATENT DOCUMENTS

D425,493 S *	5/2000	Cutright	D13/184
D507,241 S *	7/2005	Koessler	D13/152
D610,554 S *	2/2010	Lanfear	D13/162
D611,005 S *	3/2010	Lanfear	D13/162
D660,261 S *	5/2012	Huang	D13/184
D702,198 S *	4/2014	Gretz	D13/184
D709,043 S *	7/2014	Isaacks	D13/184

D730,305 S *	5/2015	Brunn	D13/184
9,405,038 B2 *	8/2016	Knight	G01V 8/16
D793,977 S *	8/2017	Chung	D13/199
D842,443 S *	3/2019	Shono	D23/318
D845,453 S *	4/2019	Shono	D23/318
D861,606 S *	10/2019	Yang	D13/119
D903,318 S *	12/2020	Schroder	D3/273
D909,320 S *	2/2021	von der Lippe	D13/184
2009/0290023 A1 *	11/2009	Lefort	H04N 5/2252 348/151
2011/0199481 A1 *	8/2011	Silis	G06F 1/20 348/143

* cited by examiner

Primary Examiner — Keli L Hill

Assistant Examiner — Harold E Blackwell, II

(74) *Attorney, Agent, or Firm* — Stoel Rives LLP; R. Whitney Johnson

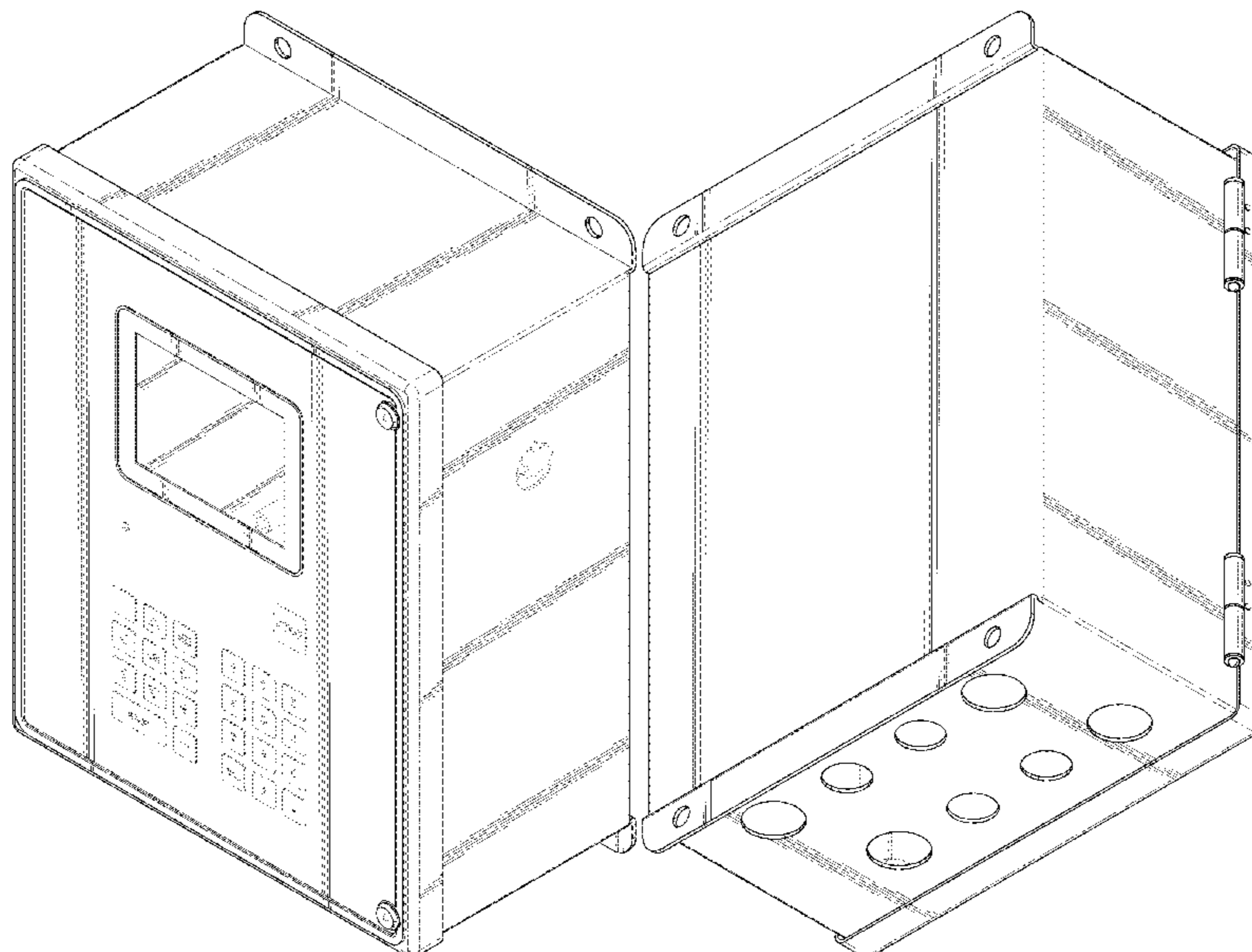
(57) **CLAIM**

The ornamental design for an electronics enclosure, as shown and described.

DESCRIPTION

FIG. 1 is a front, top, and right perspective view of an electronics enclosure showing the new design.
FIG. 2 is a rear, bottom and left perspective view thereof.
FIG. 3 is a front view thereof.
FIG. 4 is a rear view thereof.
FIG. 5 is a left side view thereof.
FIG. 6 is a right side view thereof.
FIG. 7 is a top view thereof.
FIG. 8 is a bottom view thereof.
FIG. 9 is a left-side elevation cross-section view thereof, taken along line 9-9 of FIG. 3; and,
FIG. 10 is a detailed view of FIG. 9.
The broken lines are directed to environment and are for illustrative purposes only; the broken lines form no part of the claimed design.

1 Claim, 8 Drawing Sheets



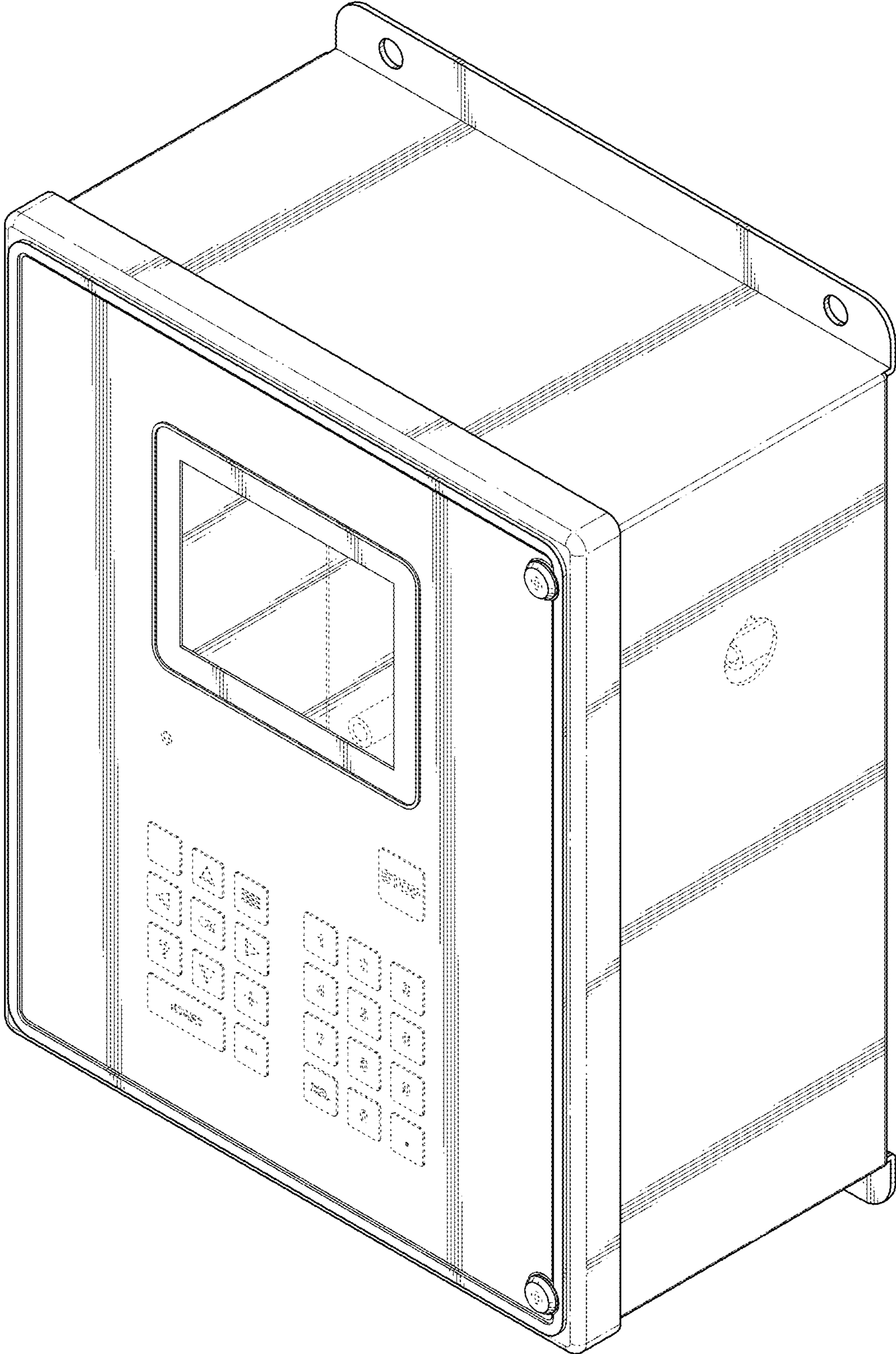


FIG. 1

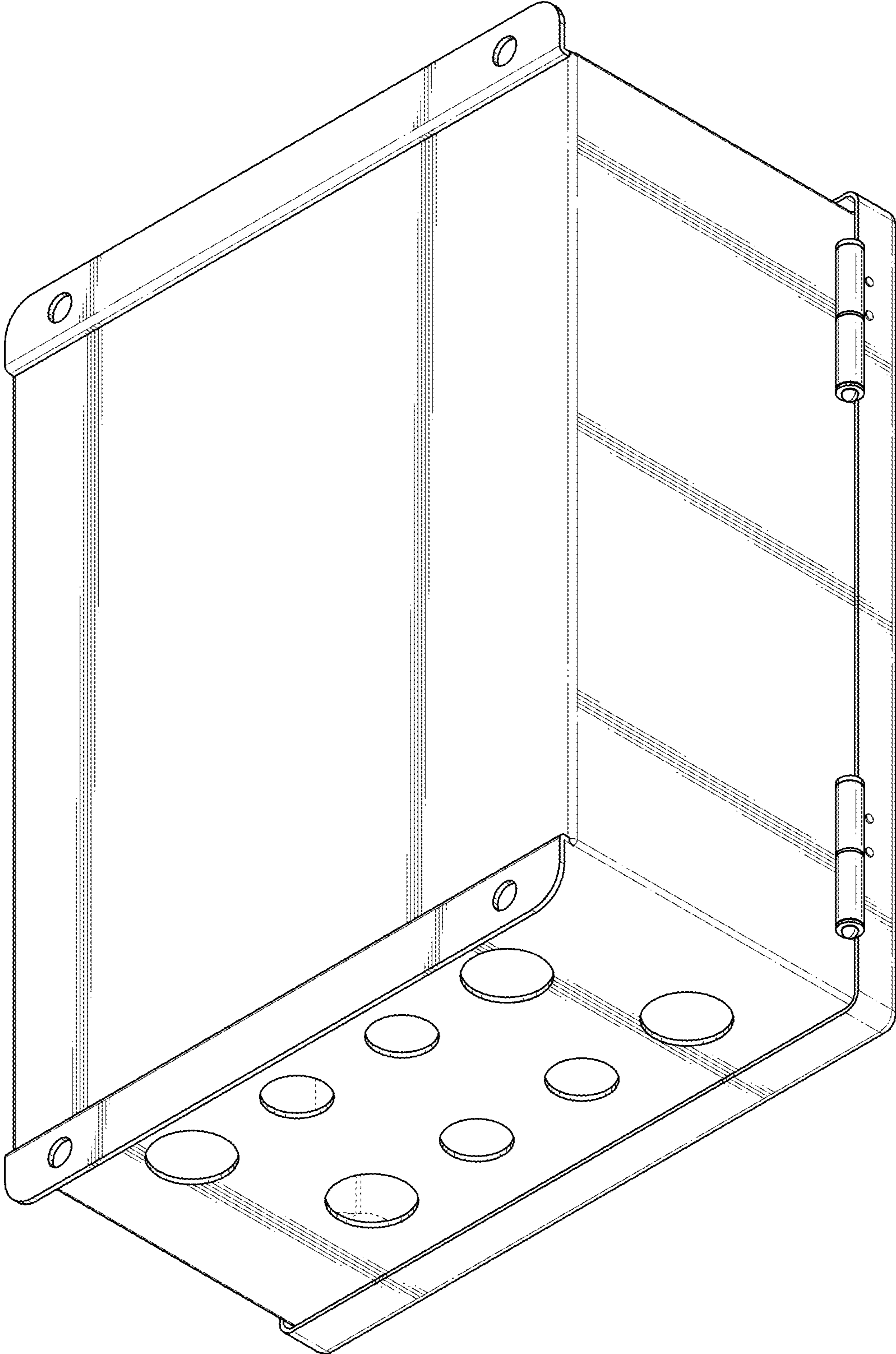


FIG. 2

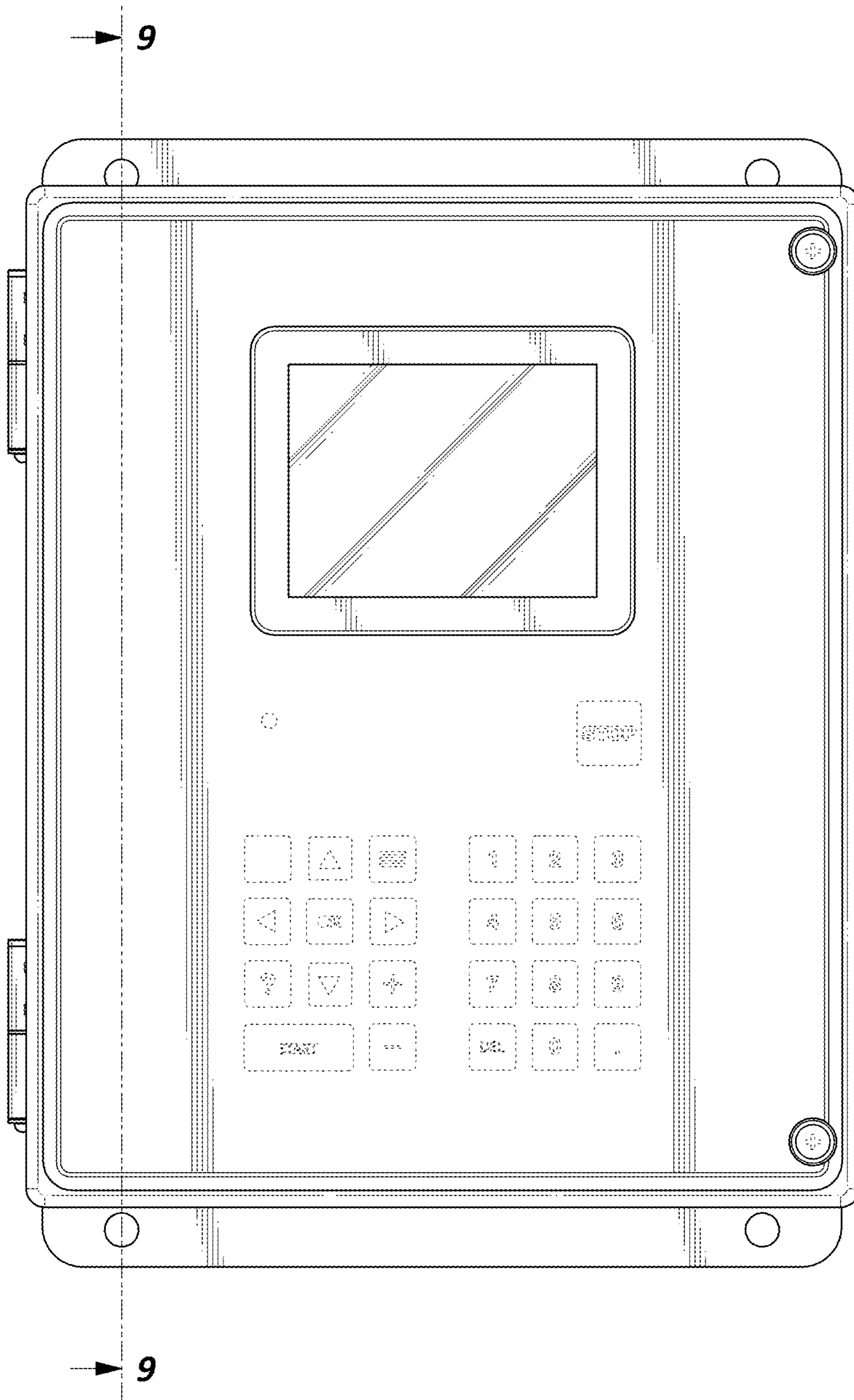


FIG. 3

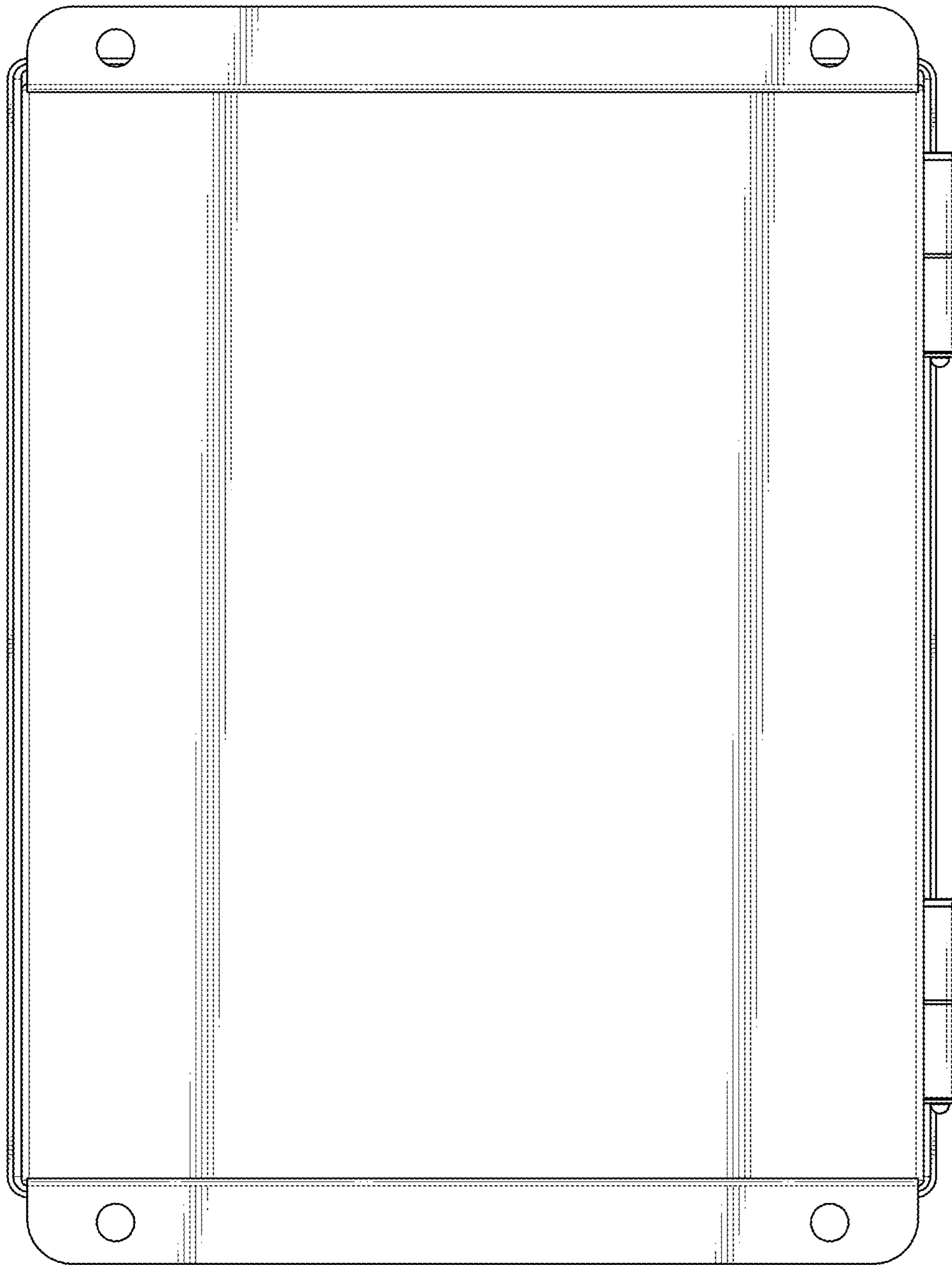


FIG. 4

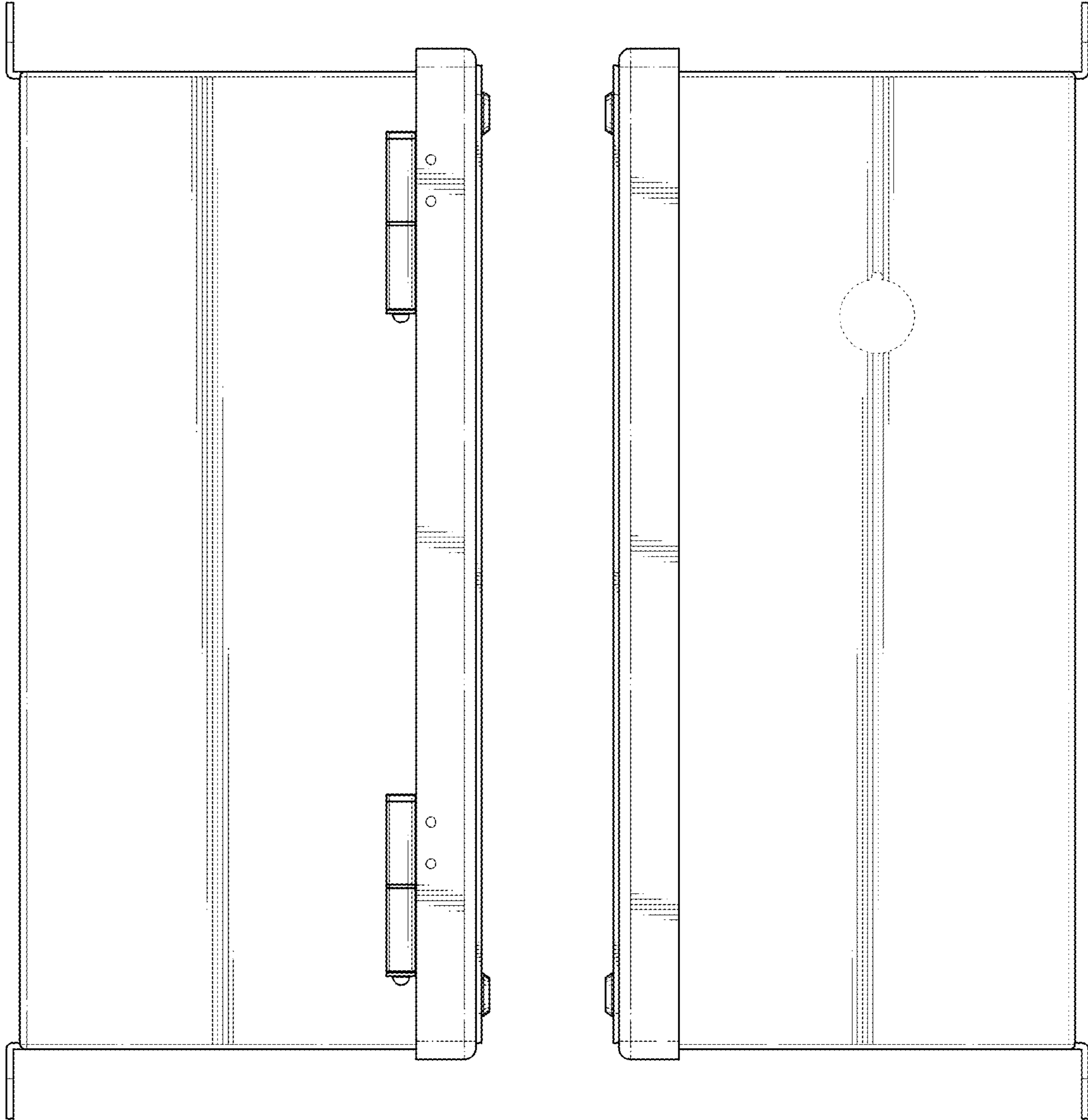


FIG. 5

FIG. 6

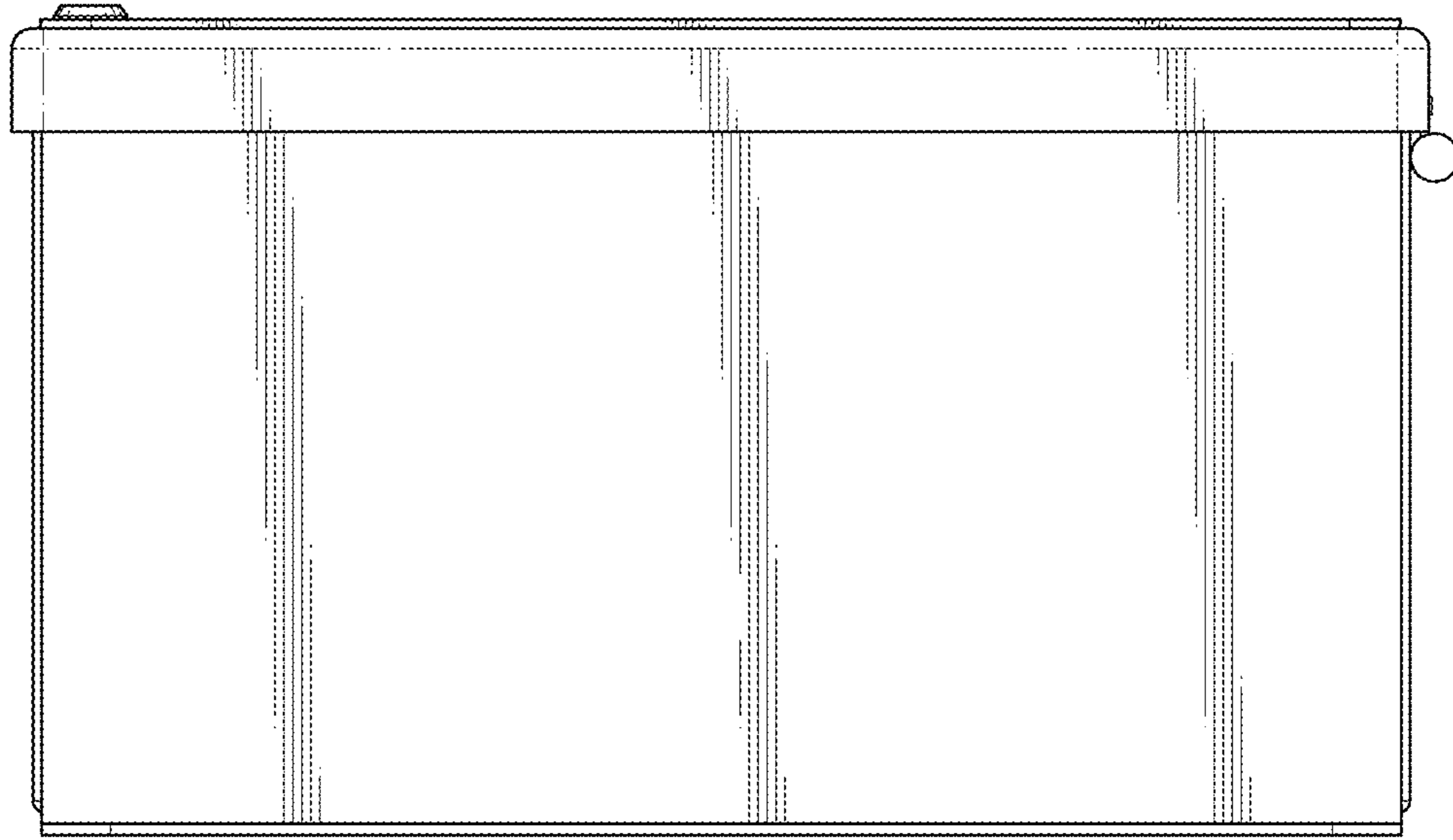


FIG. 7

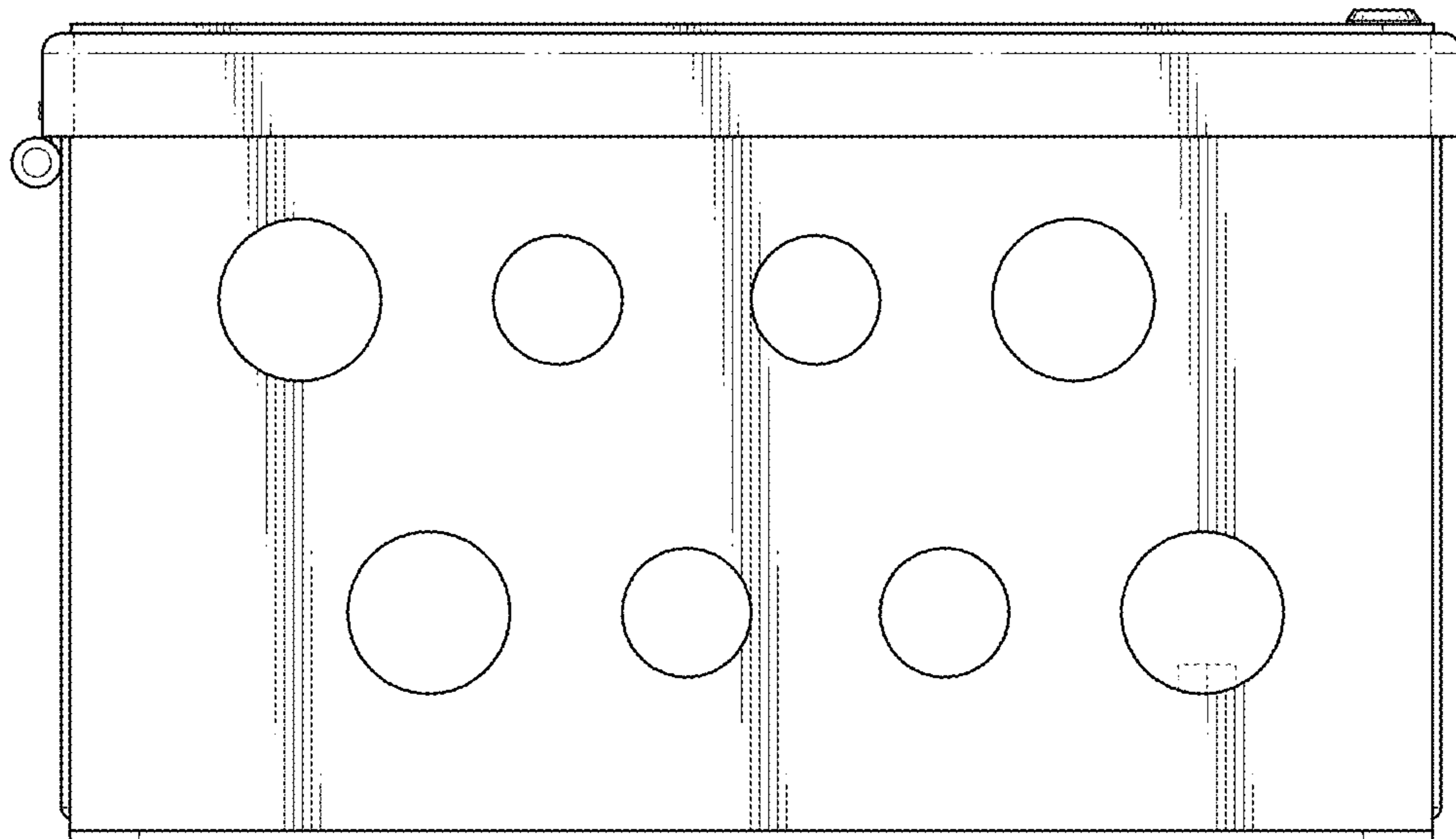


FIG. 8

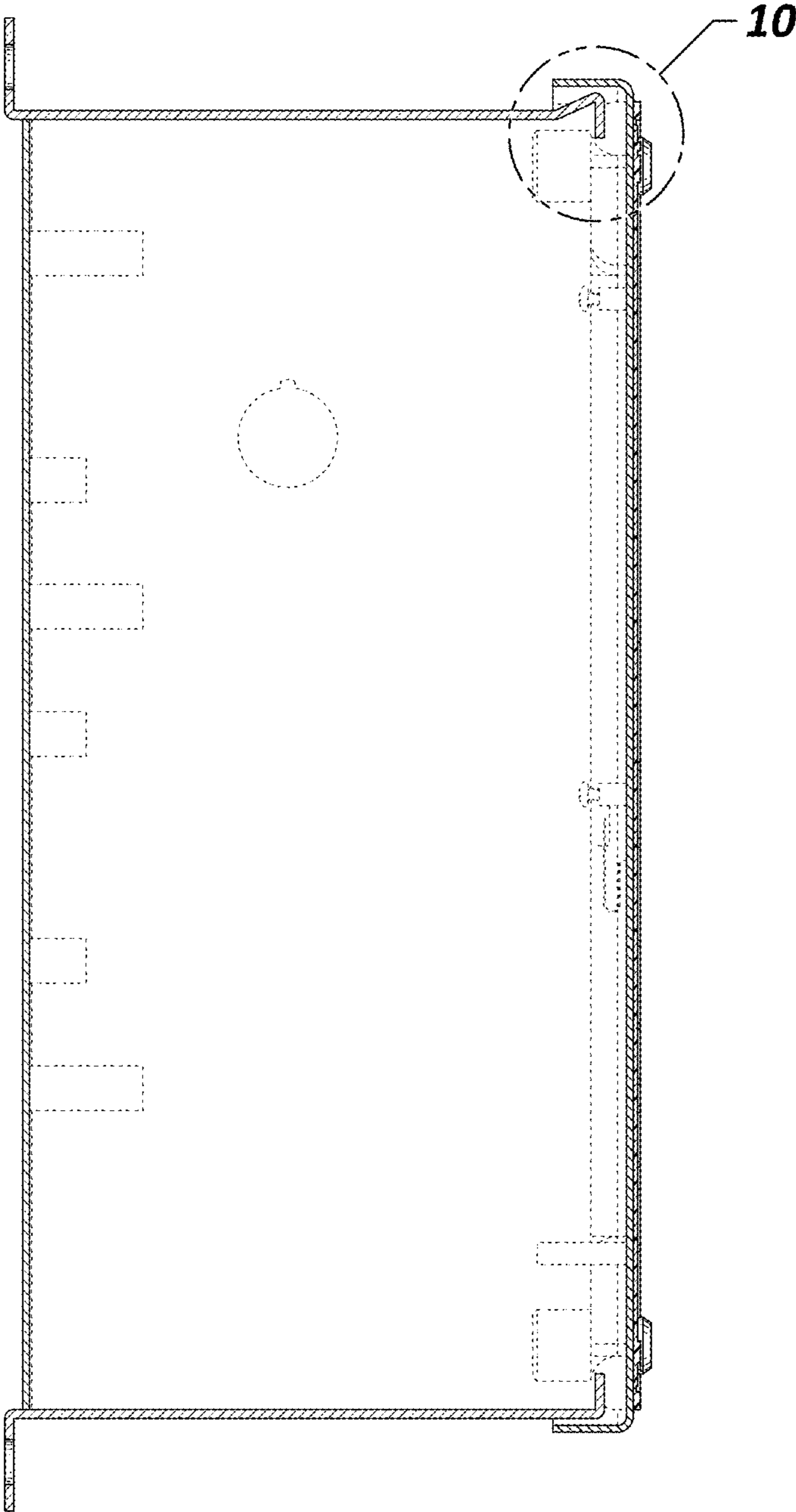


FIG. 9

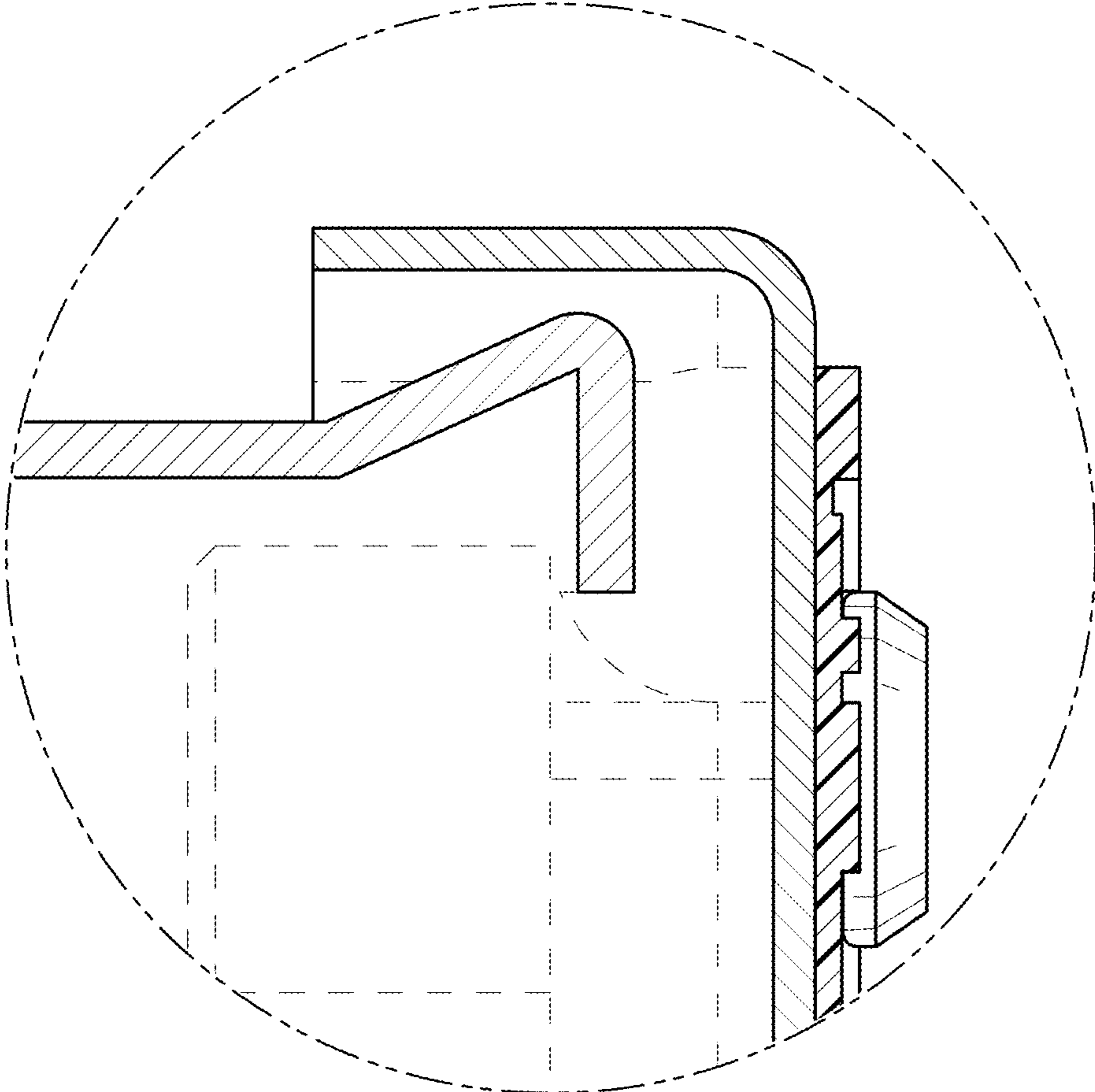


FIG. 10