



US00D925479S

(12) **United States Design Patent**
Lin

(10) **Patent No.:** **US D925,479 S**
(45) **Date of Patent:** **** Jul. 20, 2021**

(54) **PANEL**
(71) Applicant: **CHYNG HONG ELECTRONIC CO., LTD.**, Taichung (TW)
(72) Inventor: **Mu-Chun Lin**, Taichung (TW)
(73) Assignee: **CHYNG HONG ELECTRONIC CO., LTD.**, Taichung (TW)
(**) Term: **15 Years**

9,674,973 B1 * 6/2017 Lin H05K 7/1432
9,681,564 B2 * 6/2017 Lin H05K 7/20127
D815,608 S * 4/2018 Lin D13/177
10,063,038 B1 * 8/2018 Lin H02B 1/24
10,123,442 B1 * 11/2018 Lin H05K 7/1417
10,143,117 B2 * 11/2018 Lin H02M 7/003
10,383,245 B1 * 8/2019 Lin G06F 1/188
D870,678 S * 12/2019 Lin D13/162
D870,679 S * 12/2019 Lin D13/162
D870,681 S * 12/2019 Lin D13/162
10,547,161 B1 * 1/2020 Lin H02B 1/305
D881,825 S * 4/2020 Lin D13/162
10,925,173 B1 * 2/2021 Lin H05K 5/0008

(21) Appl. No.: **29/729,468**
(22) Filed: **Mar. 26, 2020**
(51) **LOC (13) Cl.** **13-03**
(52) **U.S. Cl.**
USPC **D13/177**
(58) **Field of Classification Search**
USPC D13/162, 164, 177, 184; D14/188, 240,
D14/257, 313, 441, 445
CPC H01H 13/83; H02G 3/14; H05K 7/0217;
H05K 7/432; H02B 1/24
See application file for complete search history.

* cited by examiner

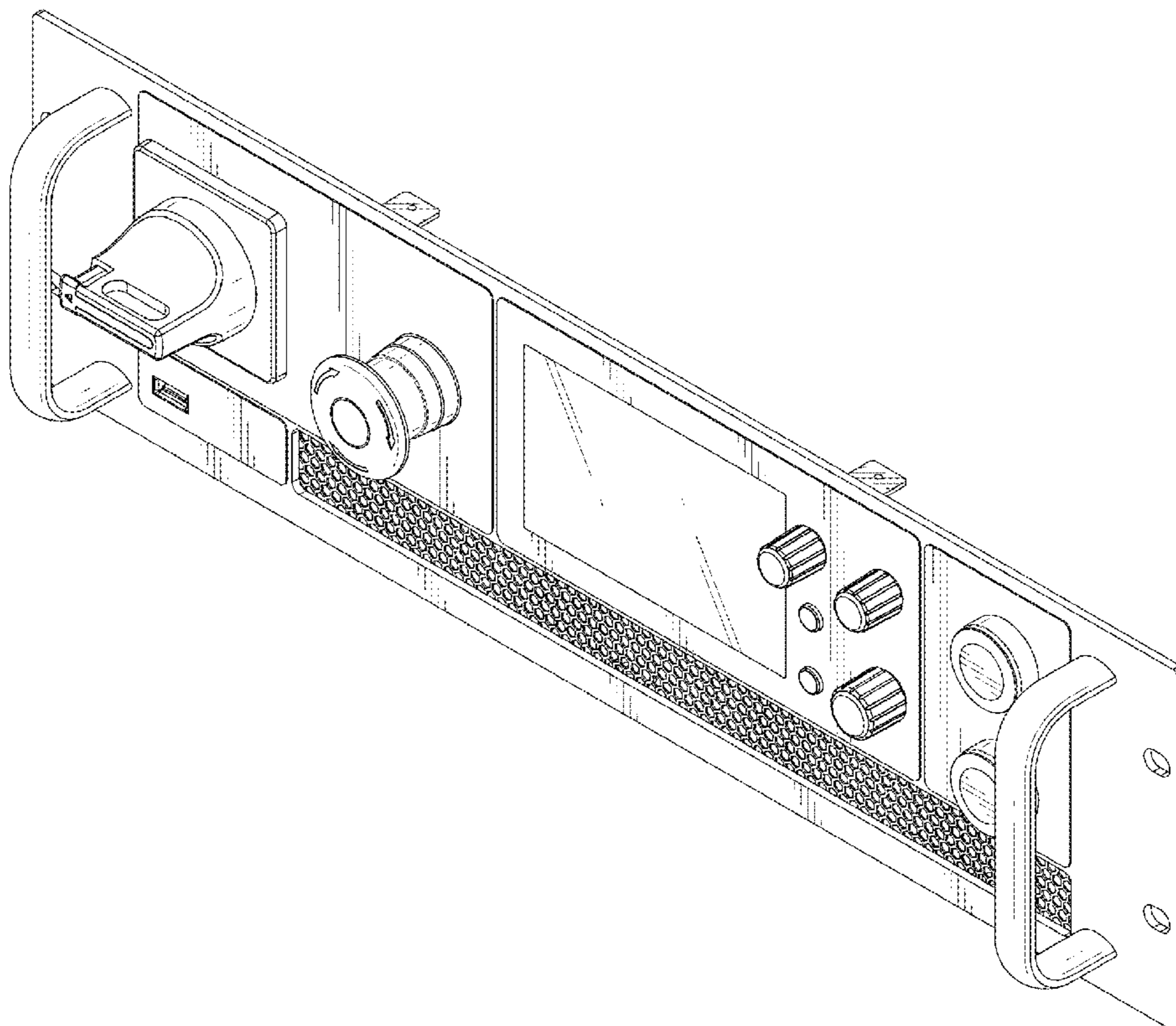
Primary Examiner — Selina Sikder
(74) *Attorney, Agent, or Firm* — Sinorica, LLC

(56) **References Cited**
U.S. PATENT DOCUMENTS
D619,108 S * 7/2010 Lin D13/177
8,410,362 B1 * 4/2013 Lin H02G 3/14
174/66
D770,396 S * 11/2016 Lin D13/177
D771,577 S * 11/2016 Lin D13/177

(57) **CLAIM**
The ornamental design for a panel, as shown and described.

DESCRIPTION
FIG. 1 is a front perspective view of a panel showing my new design;
FIG. 2 is a front elevational view thereof;
FIG. 3 is a rear elevational view thereof.
FIG. 4 is a left side elevational view thereof;
FIG. 5 is a right side elevational view thereof;
FIG. 6 is a top plan view thereof; and,
FIG. 7 is a bottom plan view thereof.

1 Claim, 5 Drawing Sheets



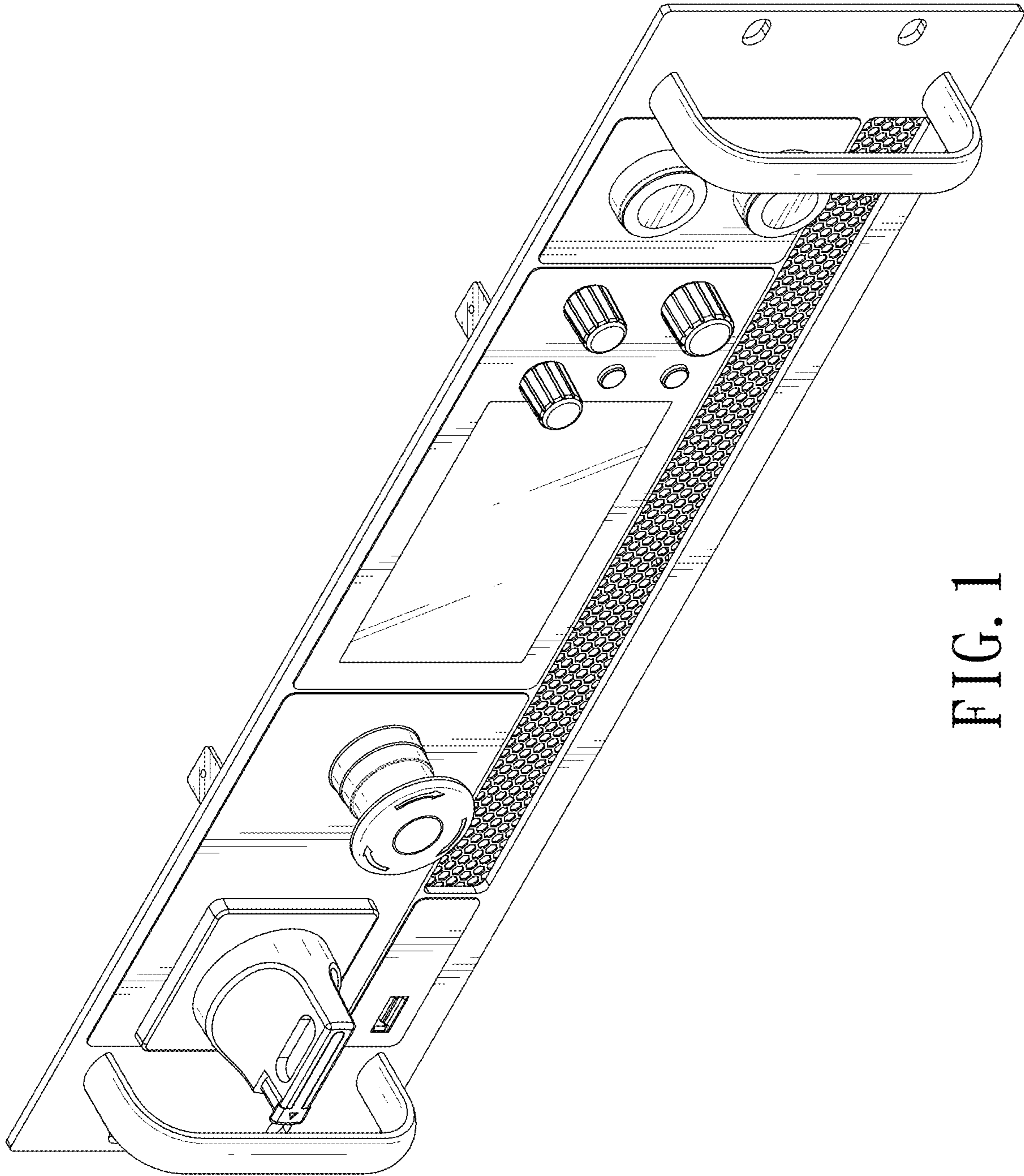


FIG. 1

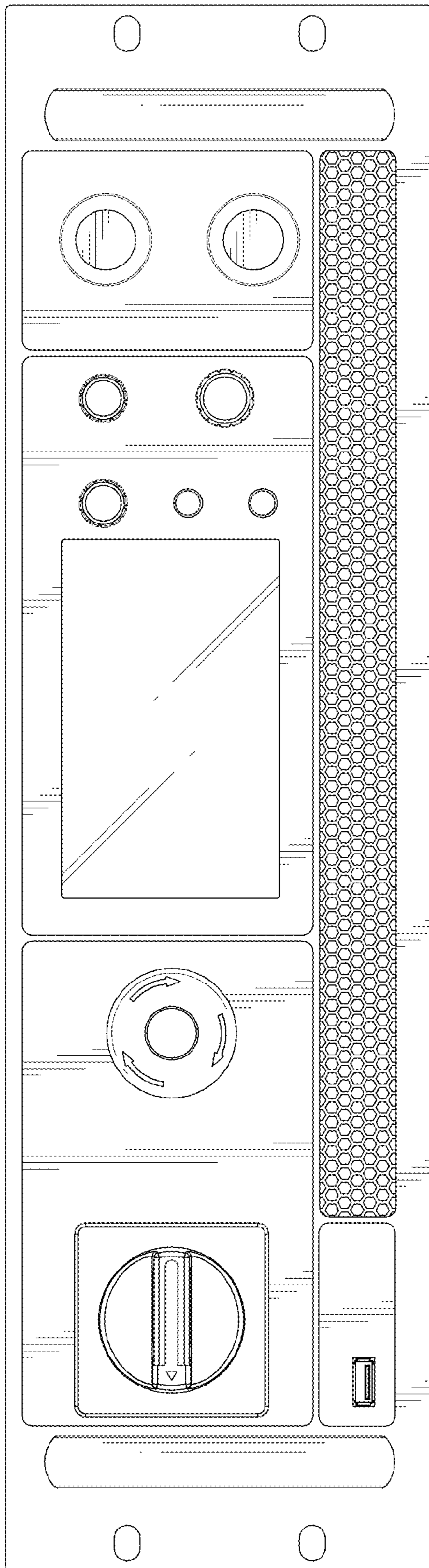


FIG. 2

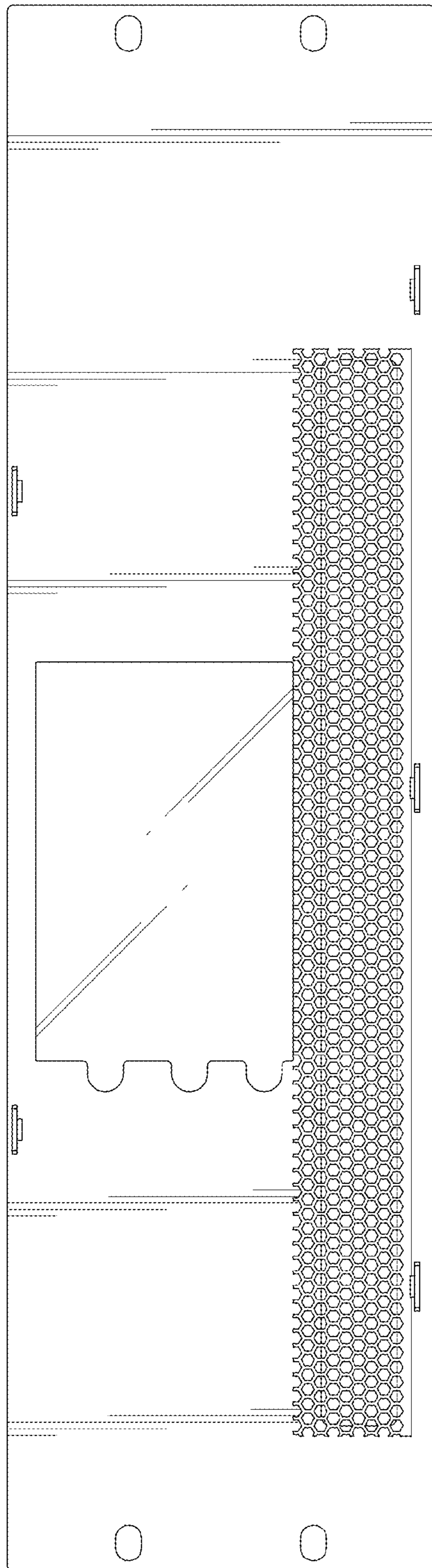


FIG. 3

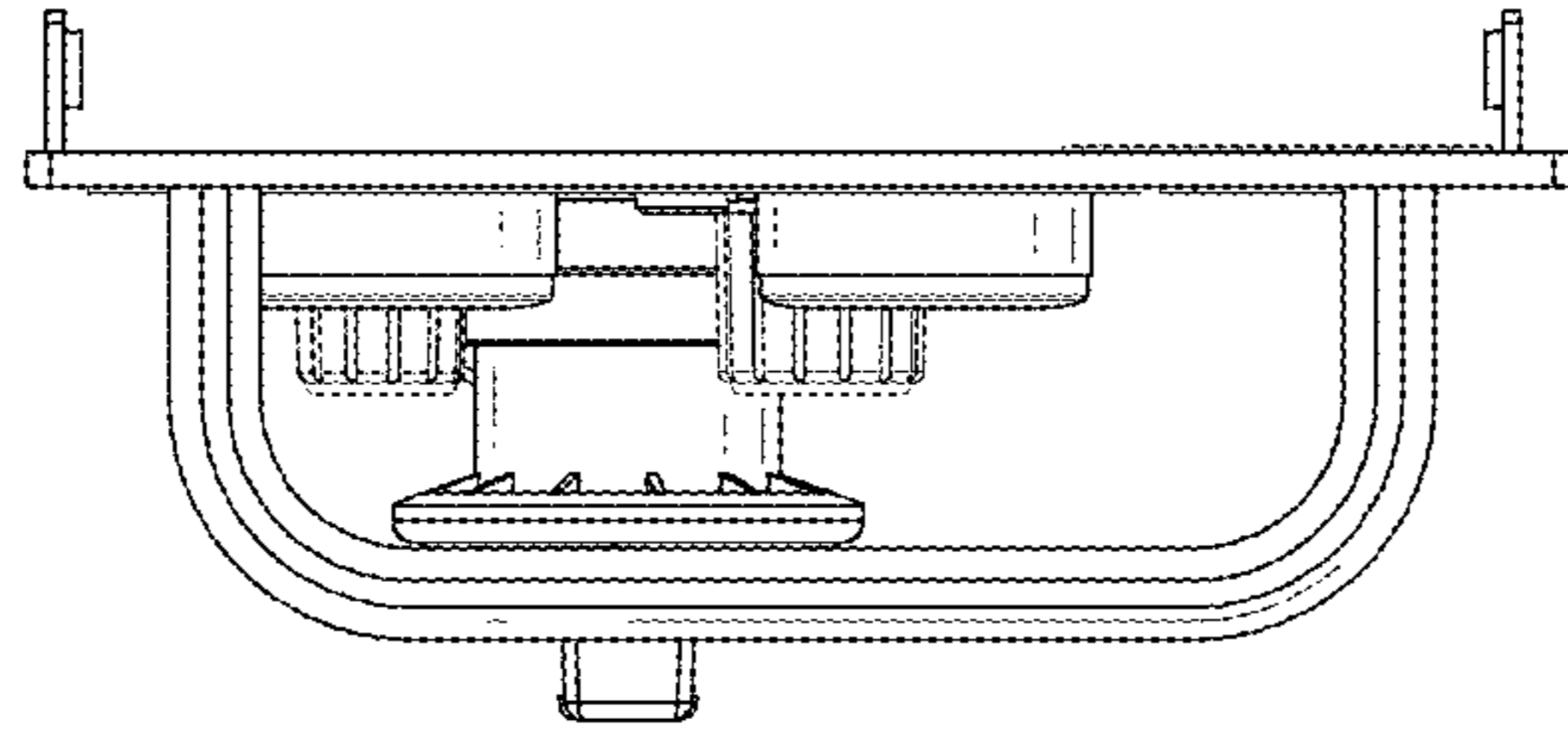


FIG. 5

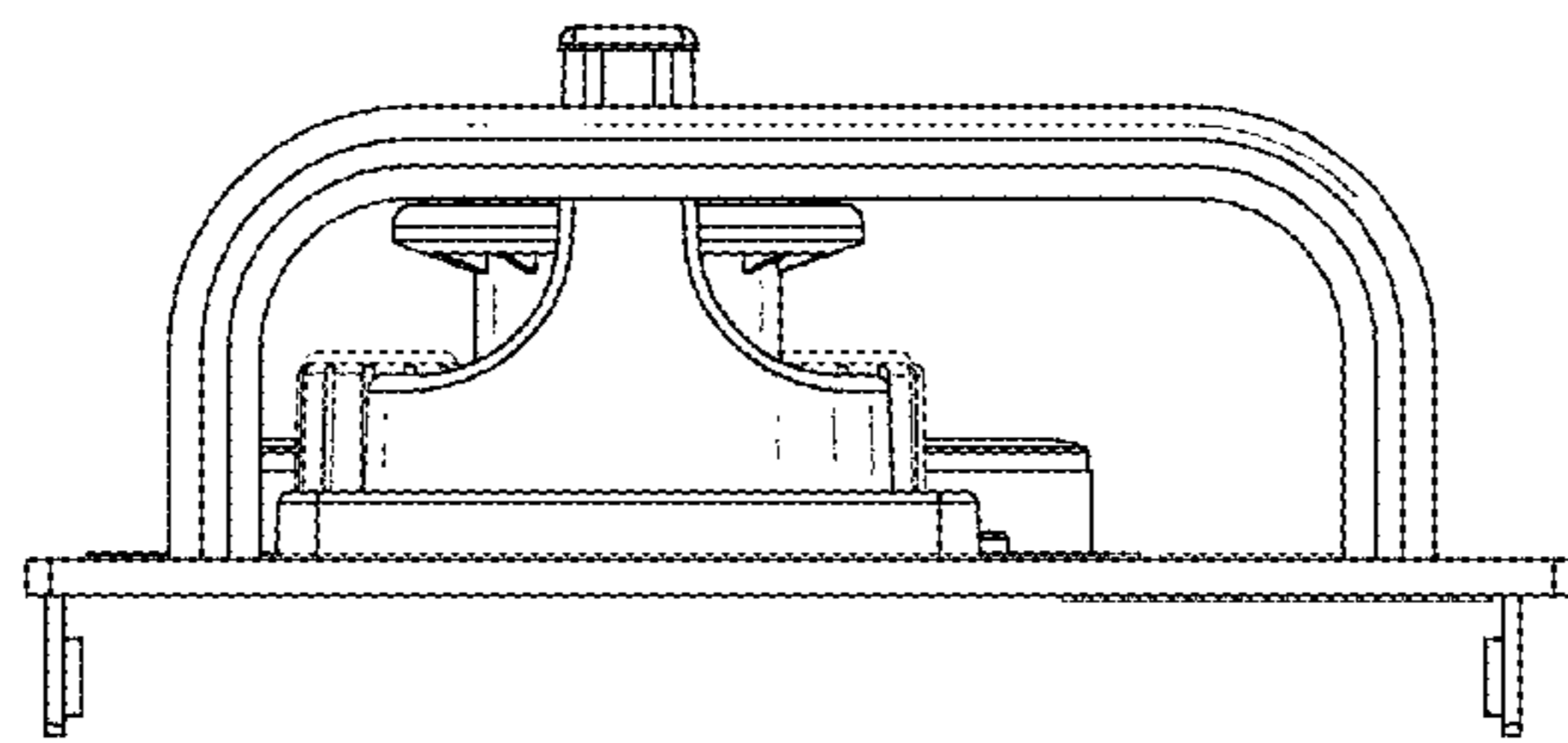


FIG. 4

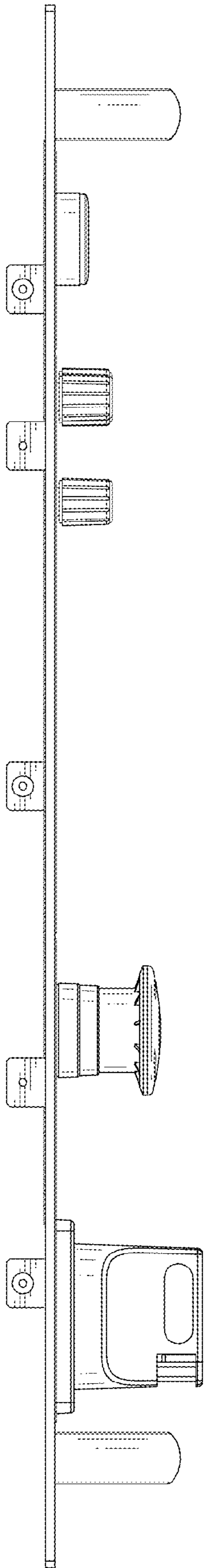


FIG. 6

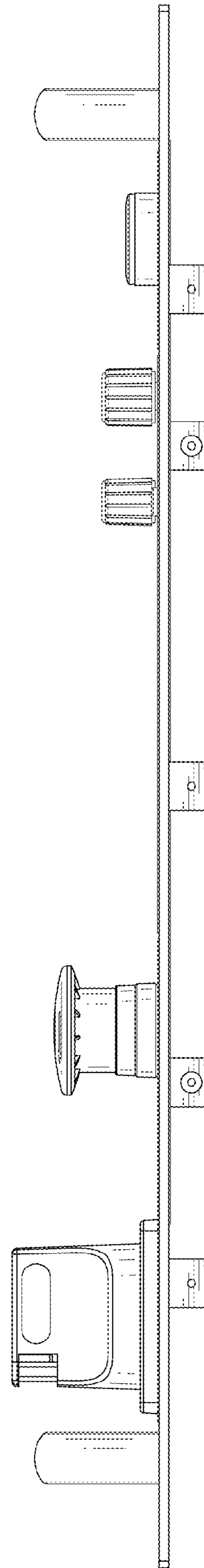


FIG. 7