



US00D925477S

(12) **United States Design Patent**
Fu et al.

(10) **Patent No.:** **US D925,477 S**
(45) **Date of Patent:** **** Jul. 20, 2021**

(54) **CONTROL MODULE**

(71) Applicant: **SCHNEIDER ELECTRIC (AUSTRALIA) PTY LTD**, Macquarie Park (AU)

(72) Inventors: **Jiayu Fu**, Shenzhen (CN); **Fuhua Shan**, Shenzhen (CN)

(73) Assignee: **Schneider Electric (Australia) PTY LTD**, Macquarie Park (AU)

(**) Term: **15 Years**

(21) Appl. No.: **29/703,922**

(22) Filed: **Aug. 30, 2019**

(51) **LOC (13) Cl.** **13-03**

(52) **U.S. Cl.**
USPC **D13/170**

(58) **Field of Classification Search**
USPC D13/158, 162, 164, 165, 169, 170, 171, D13/173, 174, 177, 184, 199, 125, 160; D10/106.8, 106.6; D8/353
CPC H01H 3/02; H01H 3/0213; H01H 3/12; H01H 3/122; H01H 9/061; H01H 9/02; H01H 9/16; H01H 9/161; H01H 9/18; H01H 9/182; H01H 13/12; H01H 13/04; H01H 13/14; H01H 9/181; H01H 2009/187; H01H 23/00; H05B 39/088
See application file for complete search history.

(56) **References Cited**

U.S. PATENT DOCUMENTS

D227,577 S * 7/1973 Mayo D13/170
4,803,380 A * 2/1989 Jacoby, Jr. H01H 9/52
307/157
4,947,054 A * 8/1990 Flowers H01H 13/023
307/125
D339,326 S * 9/1993 Mayo D13/170

D533,844 S * 12/2006 Larson D13/162
D535,950 S * 1/2007 Alker D13/162
D539,235 S * 3/2007 Mayo D13/162
D541,222 S * 4/2007 Mayo D13/162
D558,151 S * 12/2007 Spira D13/162
D562,260 S * 2/2008 Pessina D13/162
D577,686 S * 9/2008 Ni D13/162
D582,863 S * 12/2008 Ni D13/169
D586,761 S * 2/2009 Ni D13/169
D597,495 S * 8/2009 Samuels D13/169
D607,848 S * 1/2010 Samuels D13/169
D616,837 S * 6/2010 Samuels D13/170
D616,838 S * 6/2010 Samuels D13/170
D630,595 S * 1/2011 Samuels D13/170
D797,062 S * 9/2017 Hakkarainen D13/170
D839,217 S * 1/2019 Hakkarainen D13/170

(Continued)

Primary Examiner — Rosemary K Tarcza

Assistant Examiner — Seth David Kumpf

(74) *Attorney, Agent, or Firm* — Locke Lord LLP

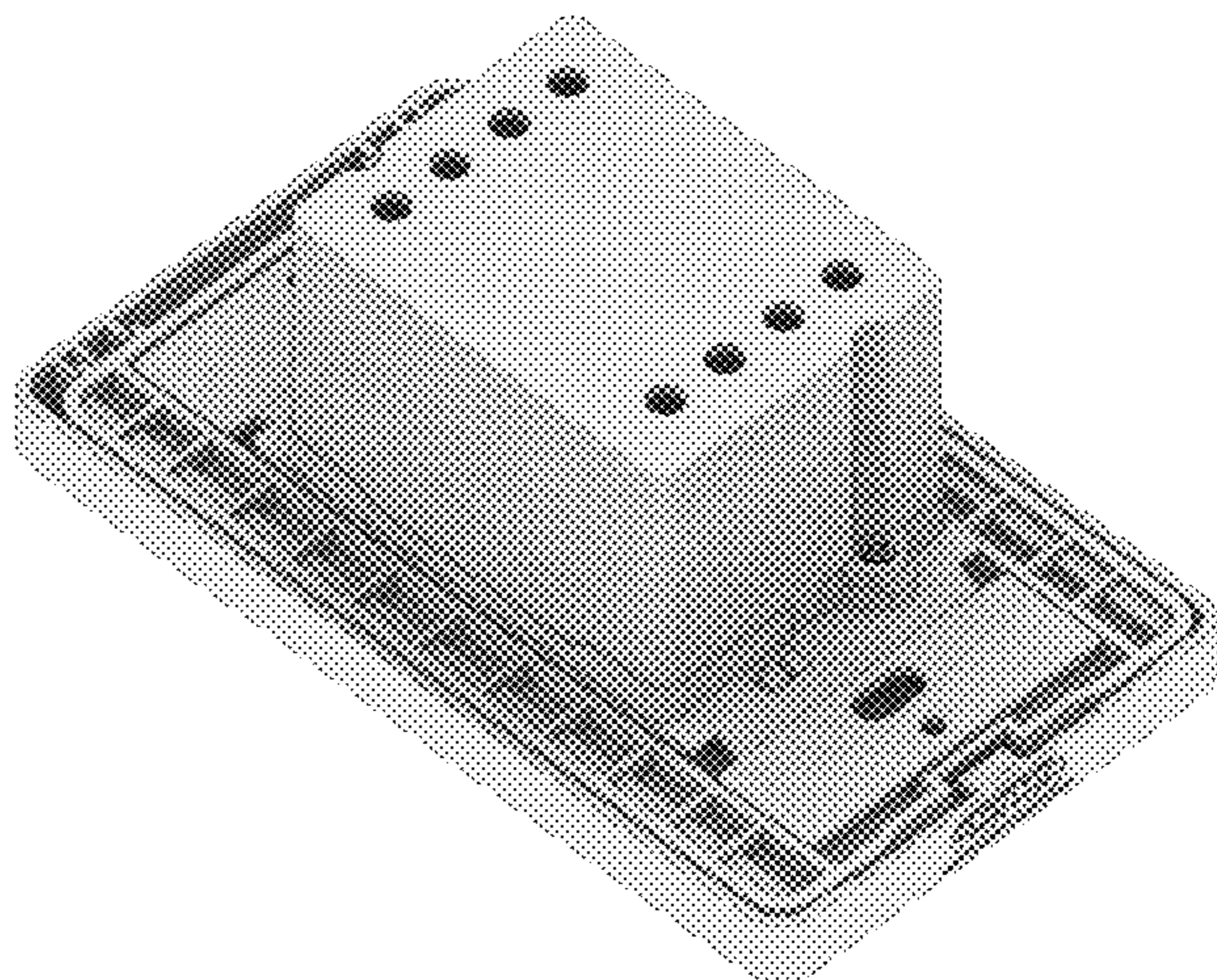
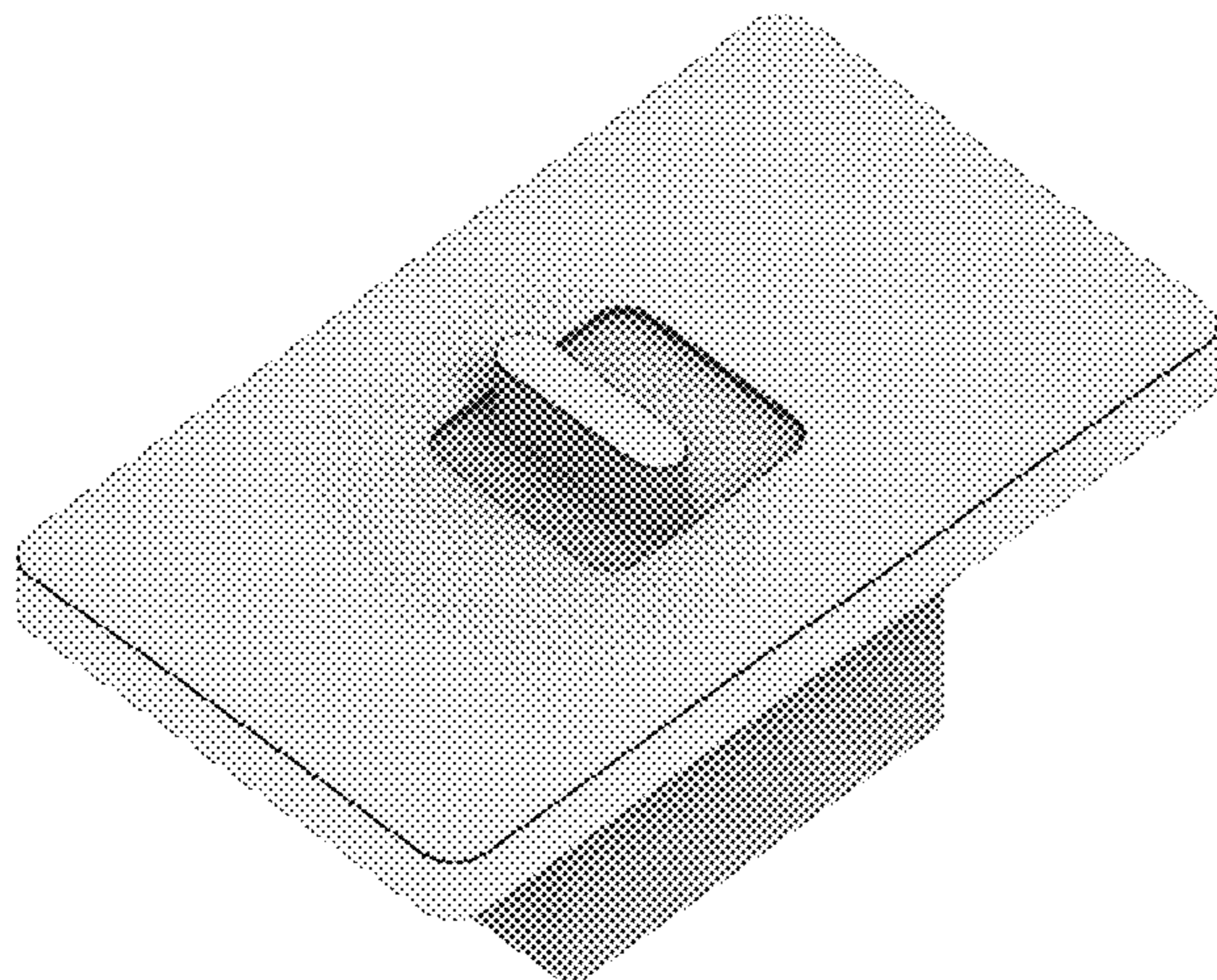
(57) **CLAIM**

The ornamental design for a control module, as shown and described.

DESCRIPTION

FIG. 1 is a front view of the control module;
FIG. 2 is a back view of the control module shown in FIG. 1;
FIG. 3 is a top view of the control module shown in FIG. 1;
FIG. 4 is a bottom view of the control module shown in FIG. 1;
FIG. 5 is a left view of the control module shown in FIG. 1;
FIG. 6 is a right view of the control module shown in FIG. 1;
FIG. 7 is a first perspective view of the control module shown in FIG. 1; and,
FIG. 8 is a second perspective view of the control module shown in FIG. 1.

1 Claim, 5 Drawing Sheets



(56)

References Cited

U.S. PATENT DOCUMENTS

D840,362	S	*	2/2019	Hakkarainen	D13/170
D904,319	S	*	12/2020	Grandadam	D13/170
D906,265	S	*	12/2020	Young	D13/170
D906,266	S	*	12/2020	Young	D13/170
2007/0272535	A1	*	11/2007	Sloan	H01C 10/30
						200/550
2009/0256483	A1	*	10/2009	Gehman	H05B 47/19
						315/129

* cited by examiner

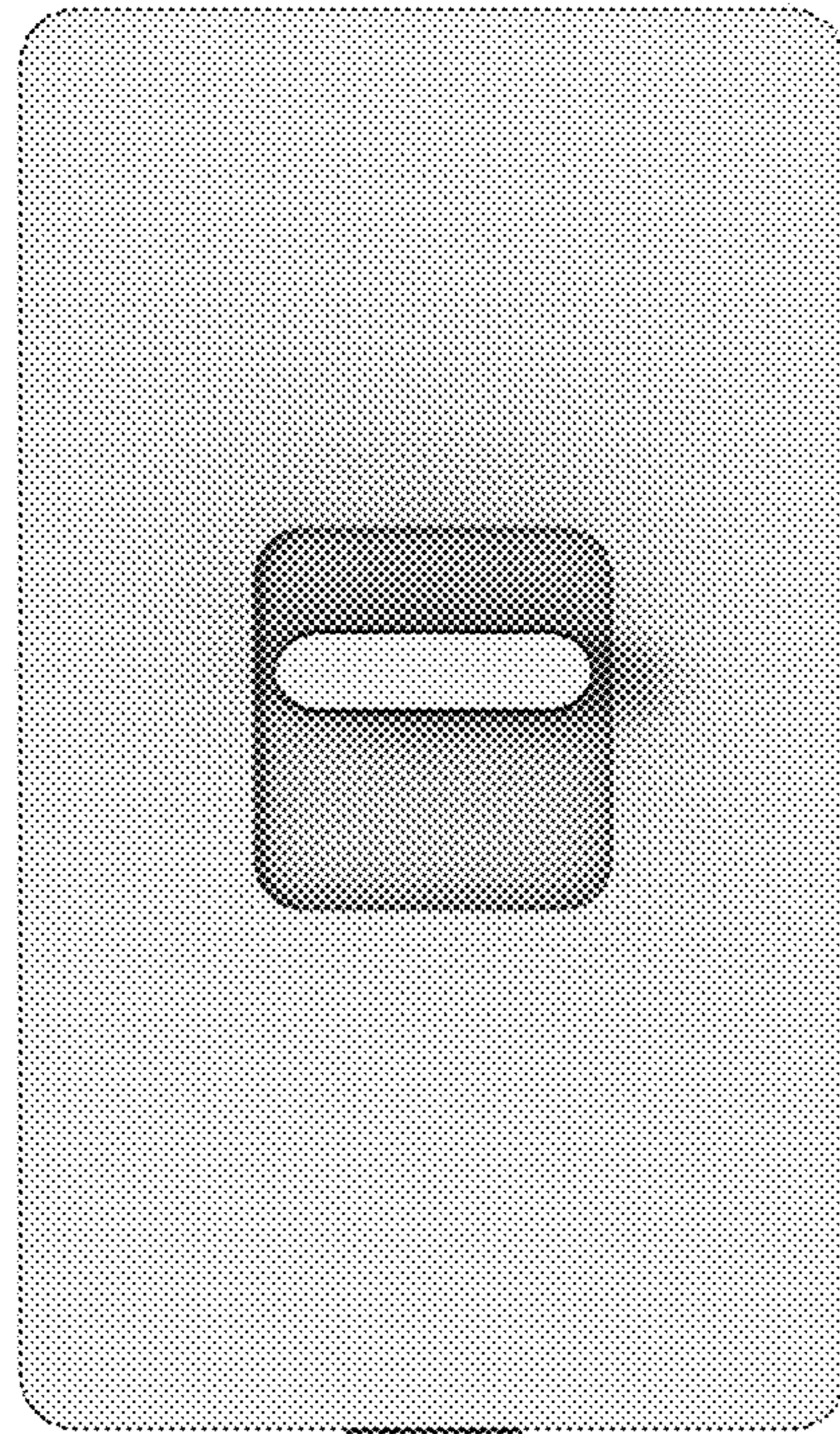


Fig. 1

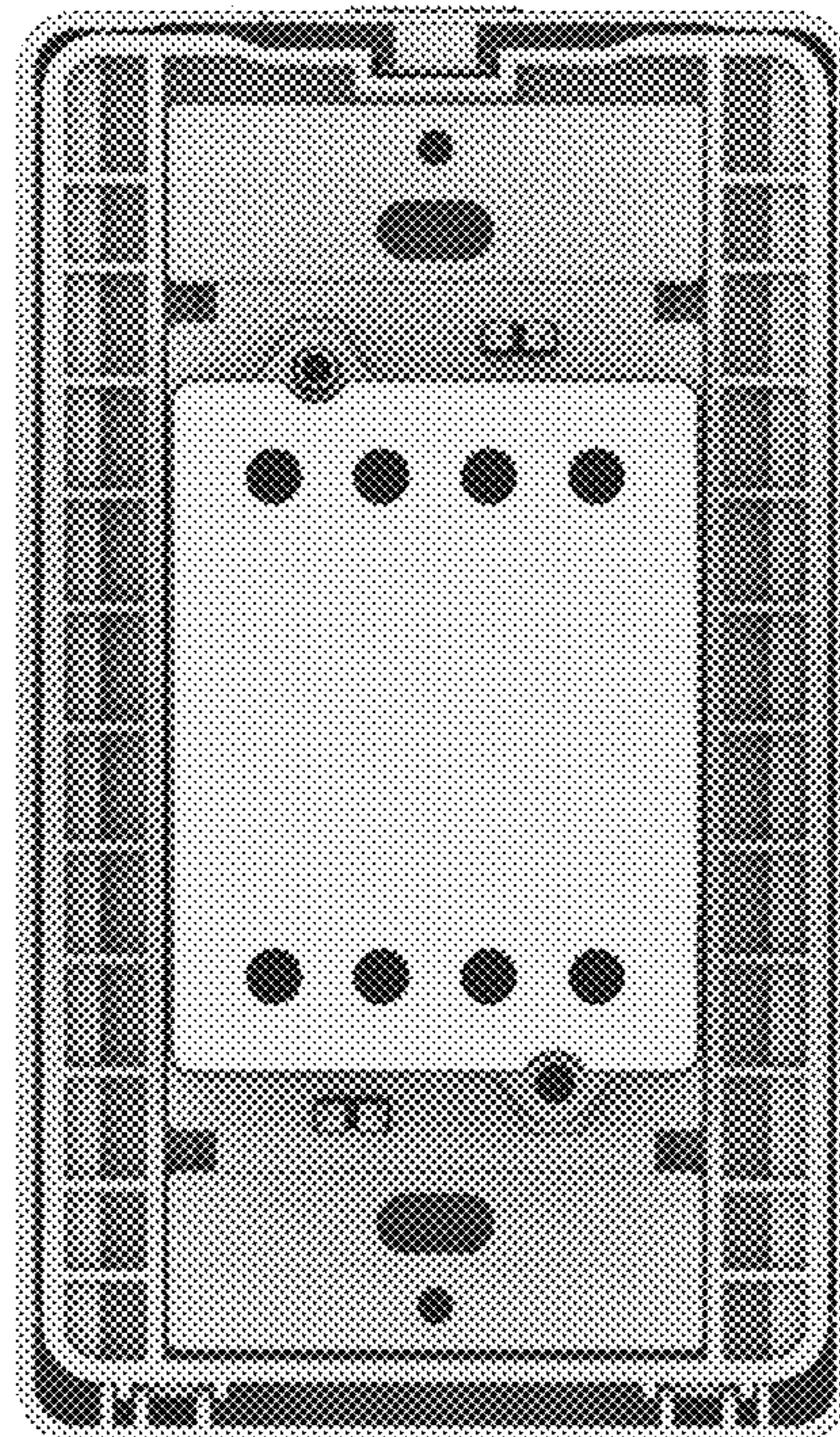


Fig. 2

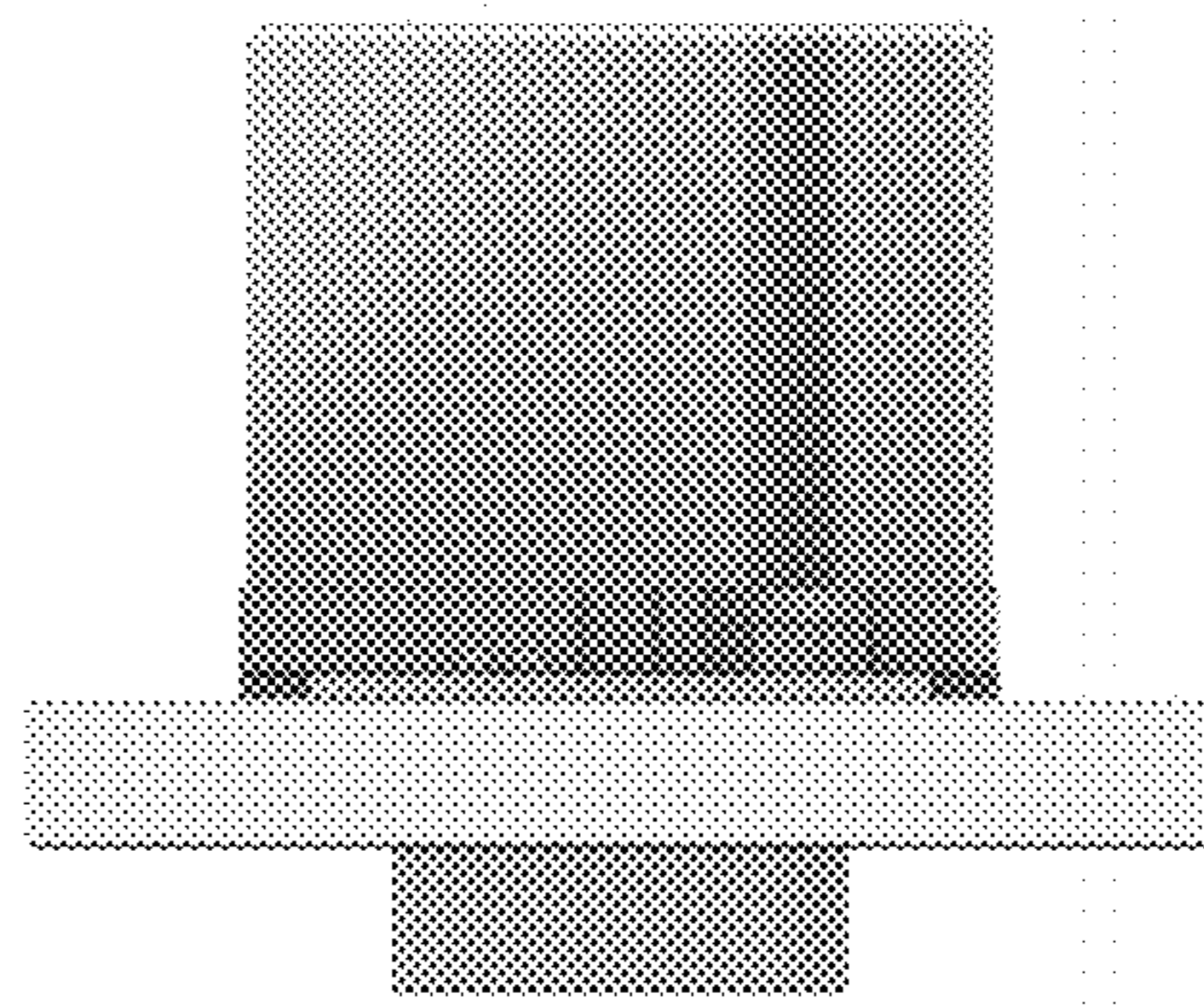


Fig. 3

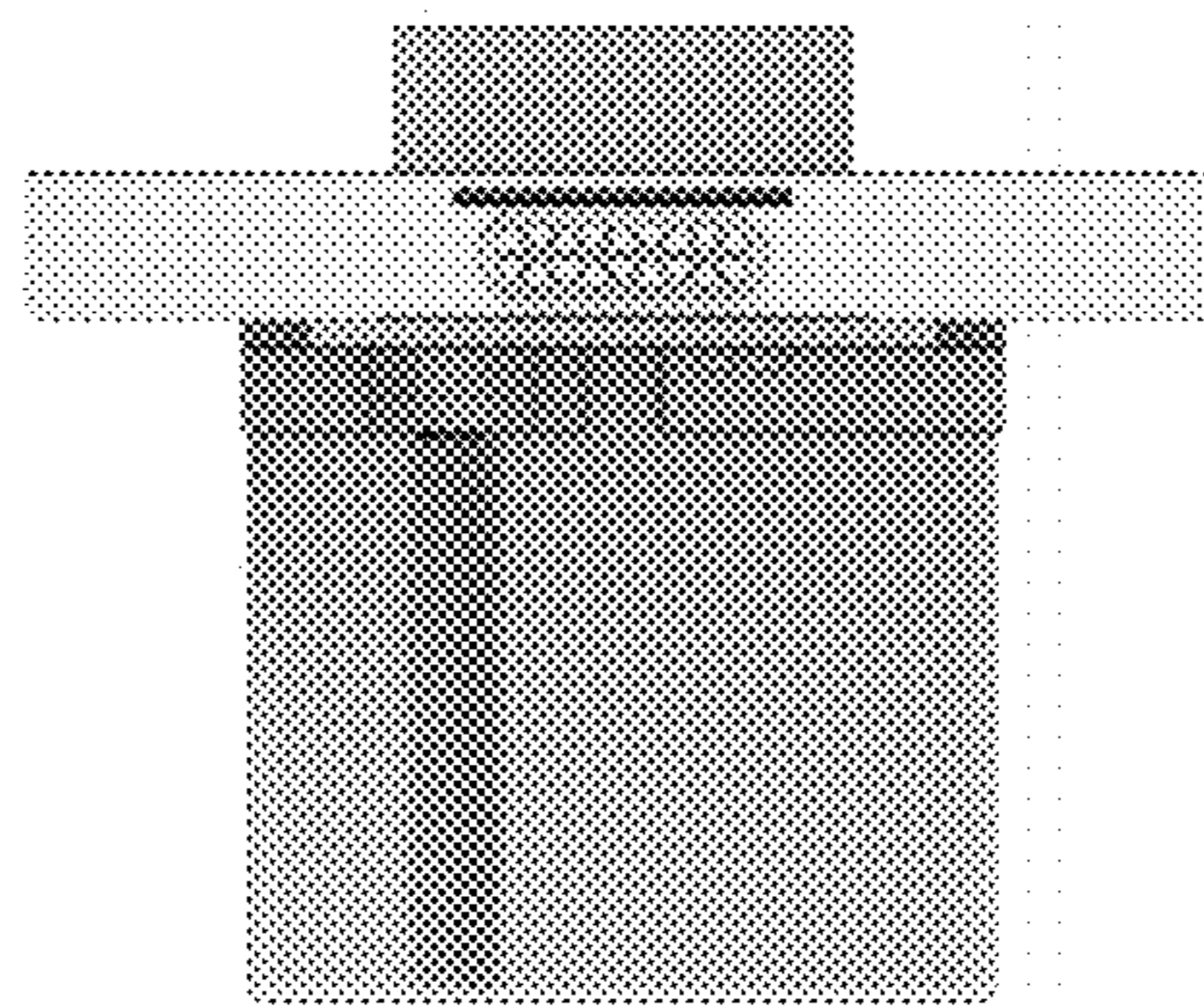


Fig. 4

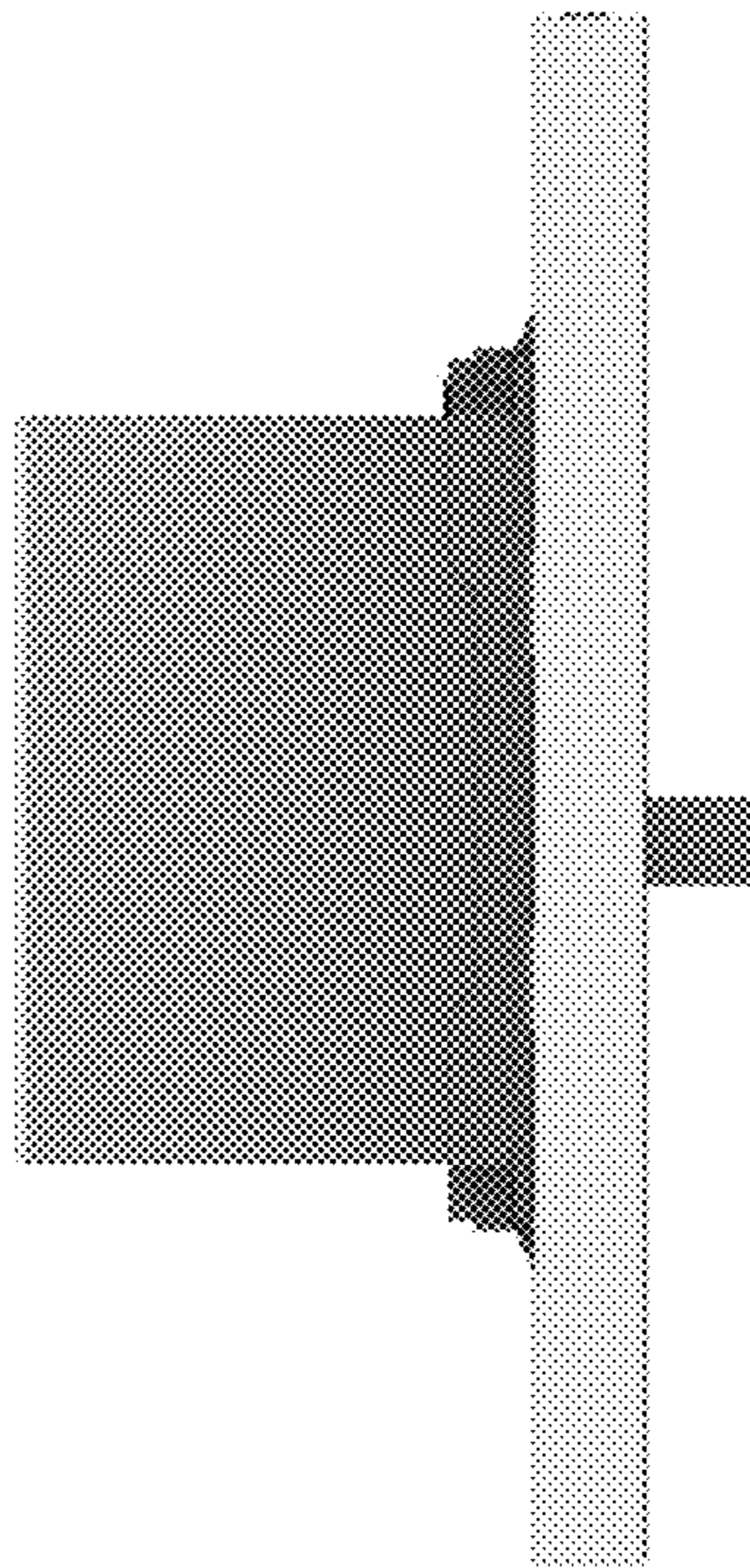


Fig. 5

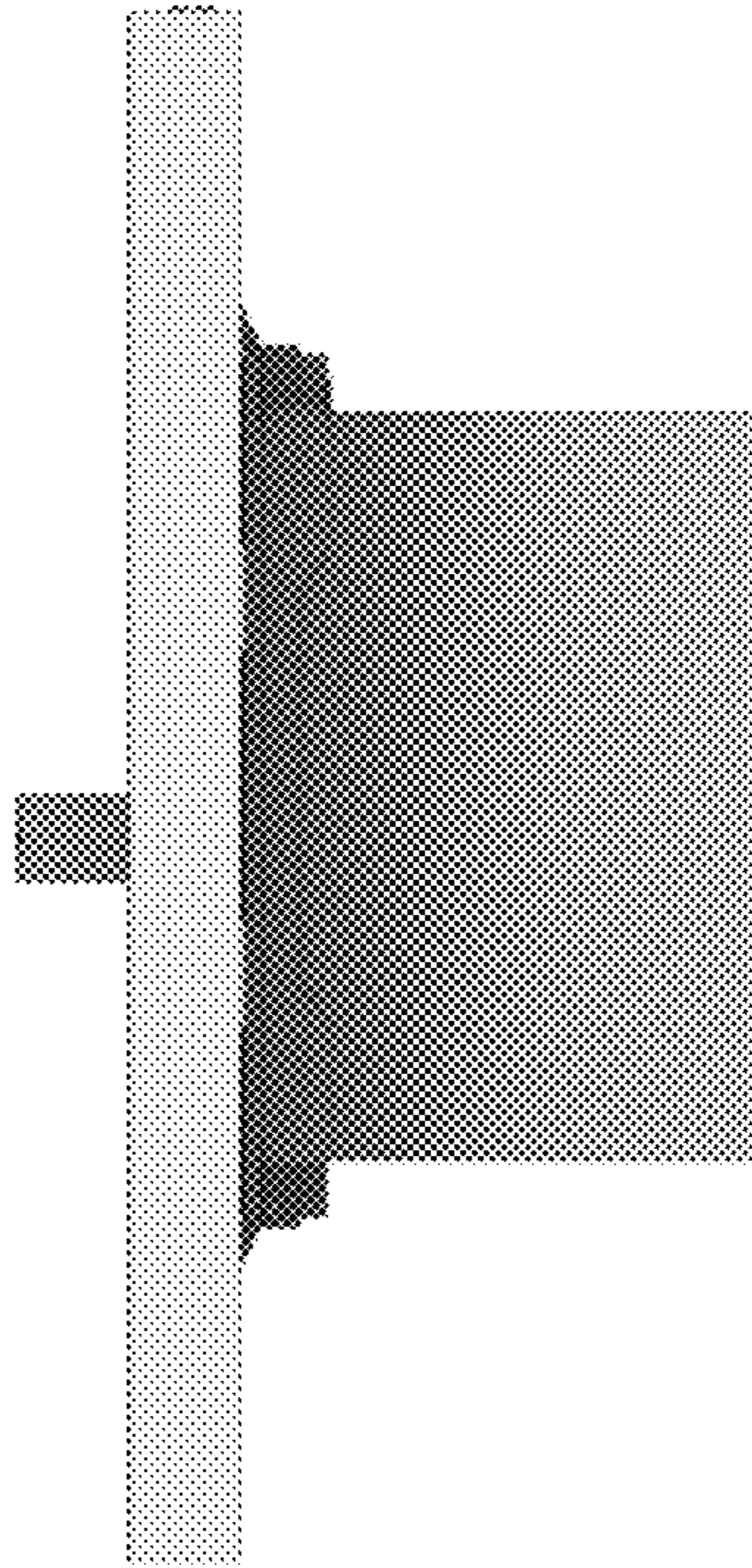


Fig. 6

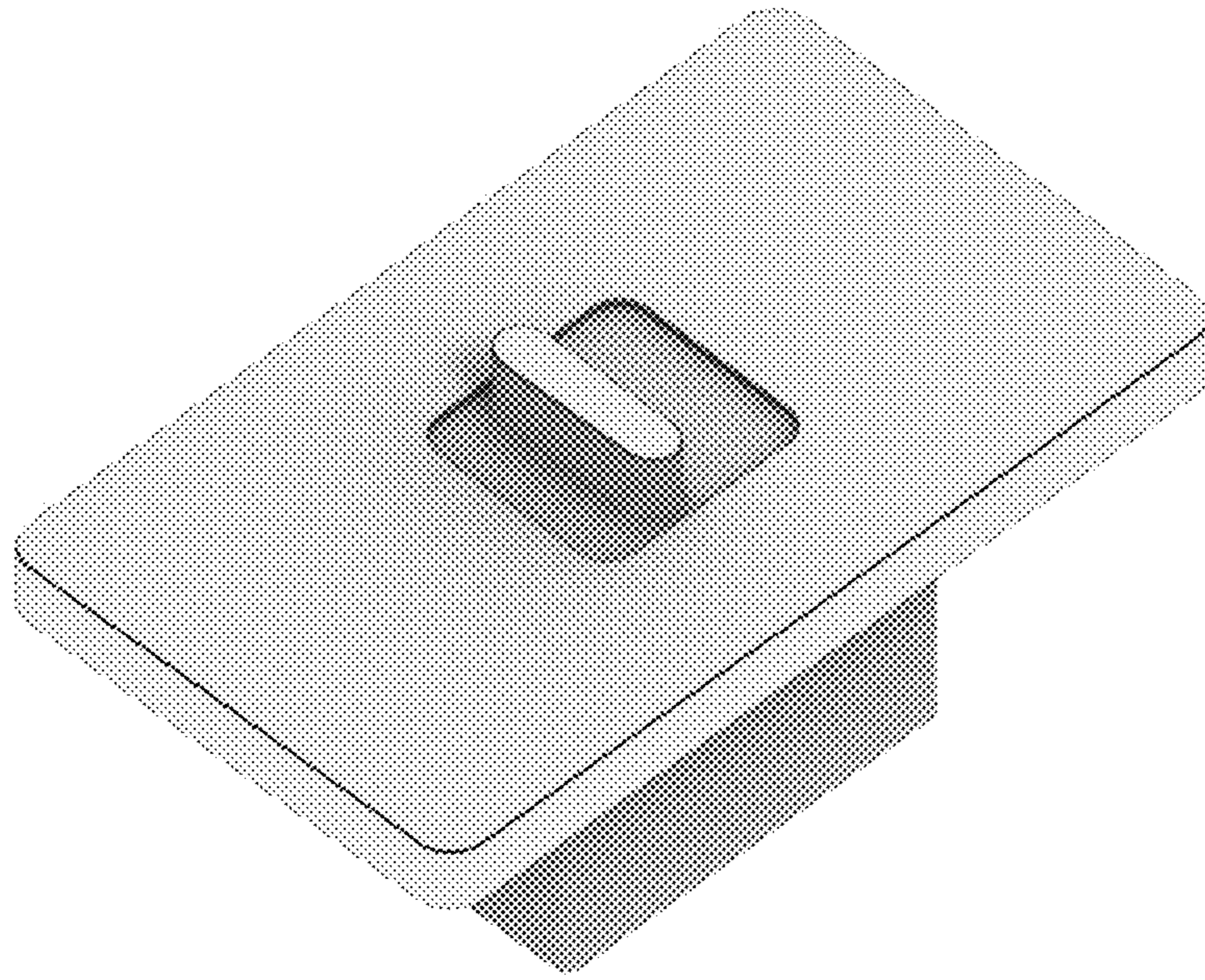


Fig. 7

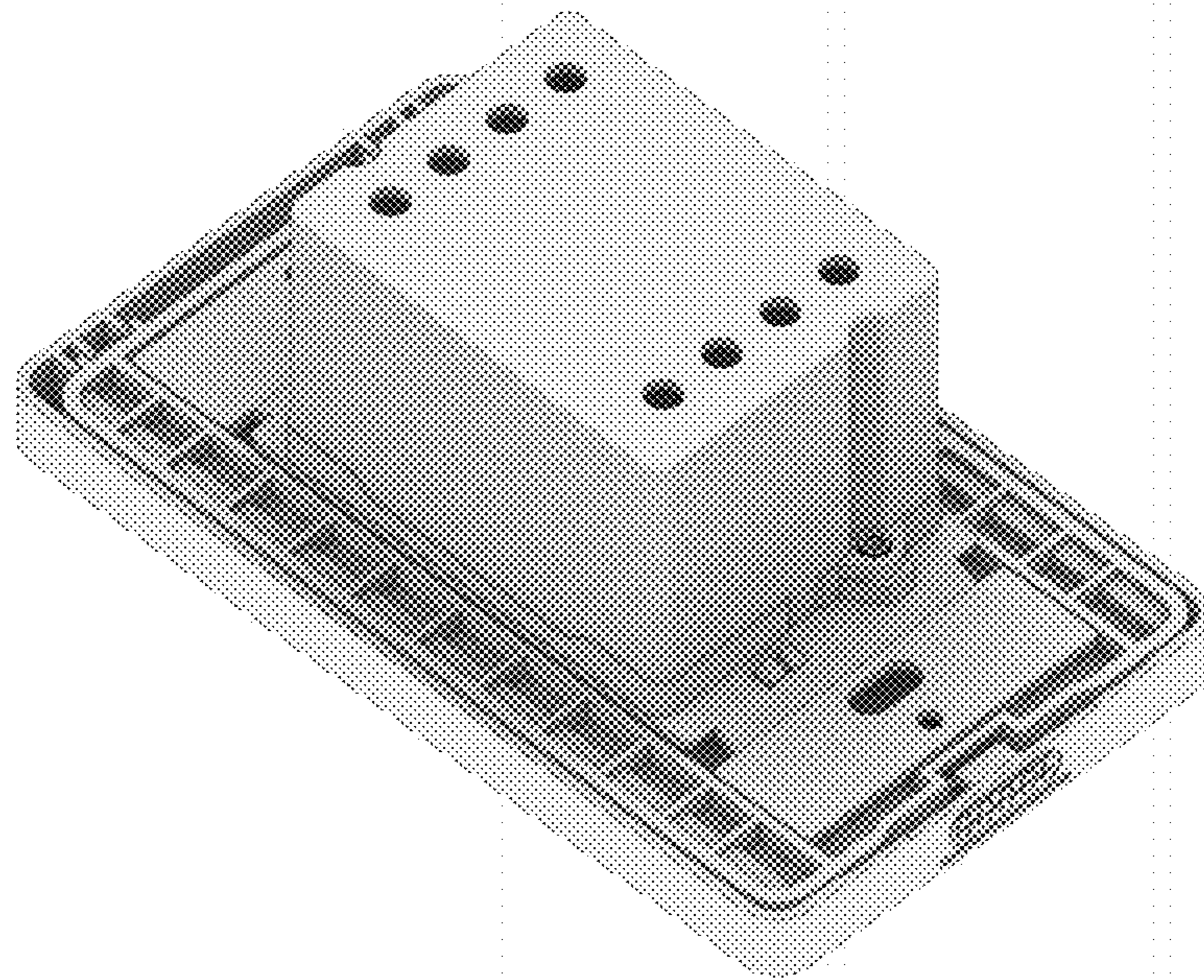


Fig. 8