



US00D925468S

(12) **United States Design Patent**
Shen

(10) **Patent No.:** **US D925,468 S**

(45) **Date of Patent:** **** Jul. 20, 2021**

(54) **RELAY BOX**

(71) Applicant: **S2B, Inc.**, Ontario, CA (US)

(72) Inventor: **Justin Shen**, Eastvale, CA (US)

(**) Term: **15 Years**

(21) Appl. No.: **29/704,426**

(22) Filed: **Sep. 4, 2019**

(51) **LOC (13) Cl.** **13-03**

(52) **U.S. Cl.**
USPC **D13/159**

(58) **Field of Classification Search**
USPC D13/123, 126, 152, 156, 158-160, 162,
D13/173, 177, 184, 199
CPC H01R 12/00; H01R 13/40; H01R 13/502;
H01R 23/68; H01R 11/09; H02G 3/08;
H02G 3/12; H02G 3/14; H02G 3/16;
H05K 5/02; H01H 85/00; H01H 85/20;
H02B 1/18

See application file for complete search history.

(56) **References Cited**

U.S. PATENT DOCUMENTS

D305,531 S * 1/1990 Suzuki D13/126
4,959,018 A * 9/1990 Yamamoto H01R 9/2458
174/559
5,038,050 A * 8/1991 Minoura H01R 9/245
307/10.1
5,531,345 A * 7/1996 Nakamura H02G 3/088
220/3.8
D423,459 S * 4/2000 Takase D13/152
6,152,758 A * 11/2000 Matsuoka H01R 13/6215
439/247
D556,143 S * 11/2007 Ni D13/152
7,396,262 B2 * 7/2008 Korczynski B60R 16/0238
174/138 F

(Continued)

FOREIGN PATENT DOCUMENTS

JP 11018246 A * 1/1999
JP 2006352967 A * 12/2006
WO WO-2010007832 A1 * 1/2010 H01R 4/34

OTHER PUBLICATIONS

12V Auto Waterproof Fuse Relay Box Block by Online LED Store, dated Jan. 7, 2019, [online], [site visited Dec. 2, 2020]. Available from Internet, URL: <https://www.amazon.com/ONLINE-LED-STORE-Waterproof-Automotive/dp/B07MR64XK1> (Year: 2019).*

(Continued)

Primary Examiner — Shawn T Gingrich

(74) *Attorney, Agent, or Firm* — David T. Bennett

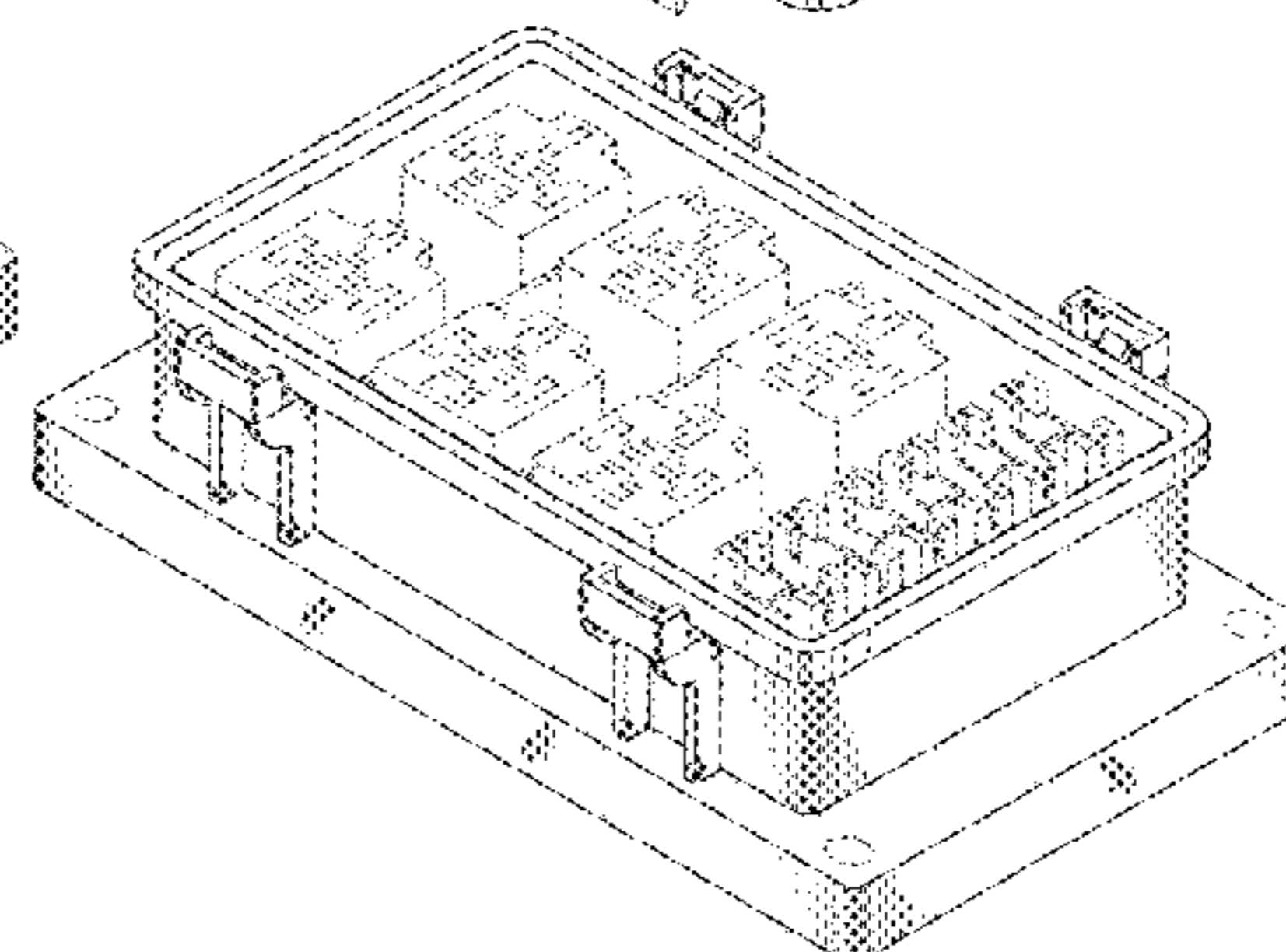
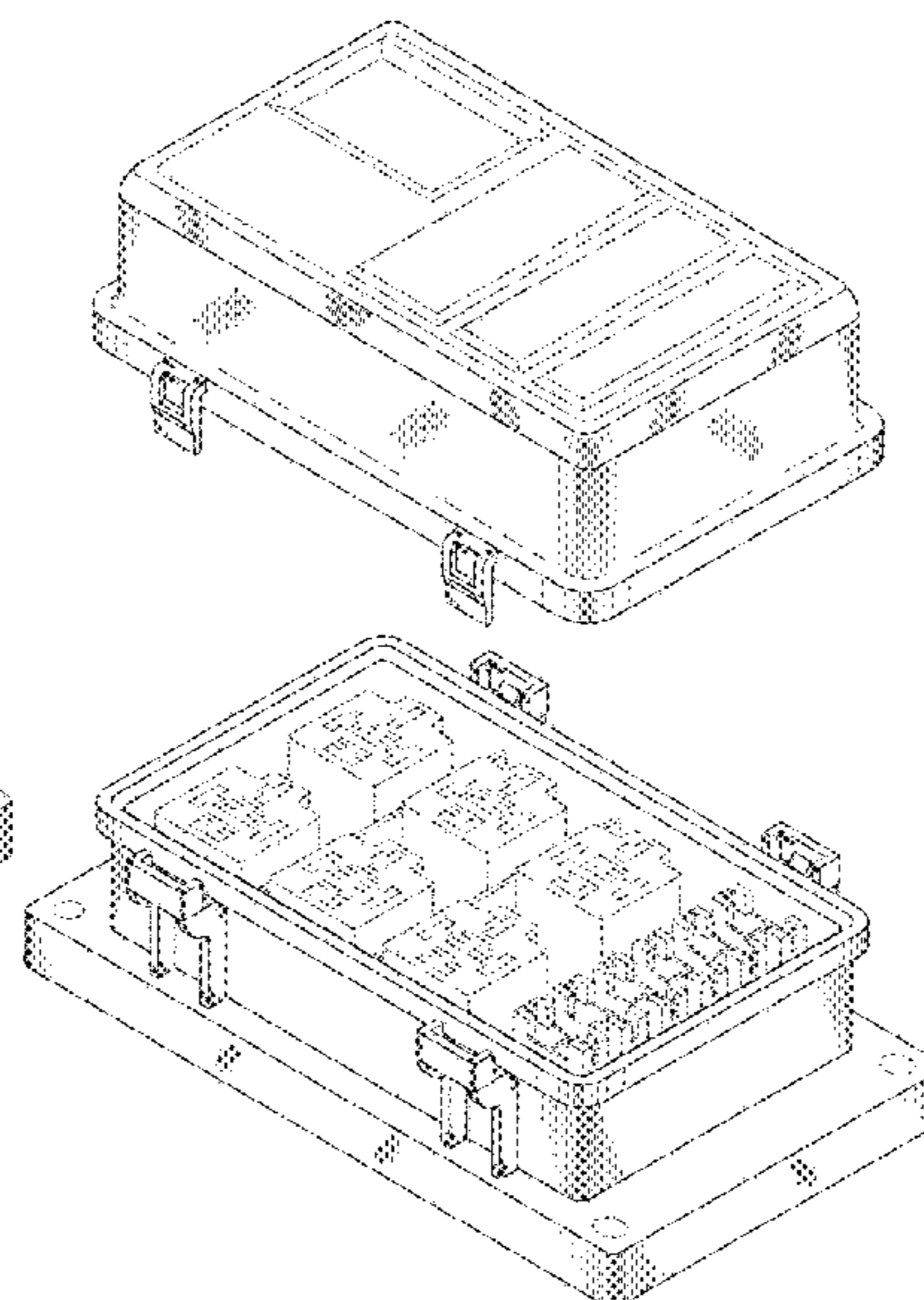
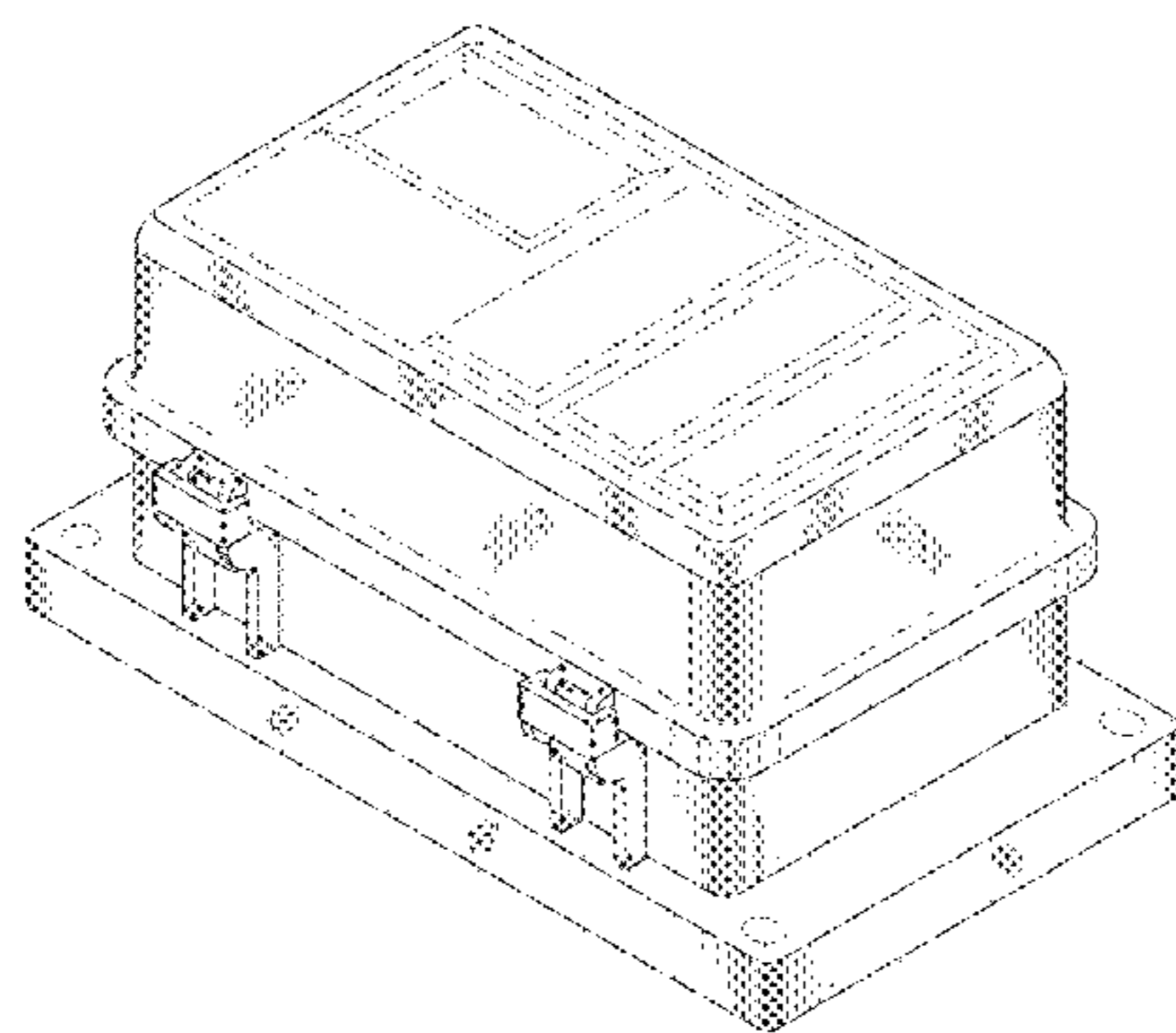
(57) **CLAIM**

The ornamental design for a relay box, as shown and described herein.

DESCRIPTION

FIG. 1 is a top front perspective view of the claimed design for a relay box with the lid fastened to the base; FIG. 2 is an exploded front perspective view of the claimed design wherein the lid and base are detached; FIG. 3 is a top view of the claimed design with the lid fastened to the base; FIG. 4 is a top view of the base of the claimed design; FIG. 5 is a bottom view of the lid of the claimed design; FIG. 6 is a front view of the claimed design with lid fastened to the base; FIG. 7 is a front exploded view of the claimed design wherein the lid and base are detached; FIG. 8 is a side view of the claimed design with lid fastened to the base; and, FIG. 9 is a front exploded view of the claimed design wherein the lid and base are detached. The broken line portion of the figure drawings is included to show portions of the relay box that form no part of the claimed design.

1 Claim, 9 Drawing Sheets



(56)

References Cited

U.S. PATENT DOCUMENTS

9,583,848 B2 * 2/2017 Shiraki H01R 13/642
2003/0184988 A1 * 10/2003 Boyd H01H 85/2045
361/833
2008/0200045 A1 * 8/2008 Akahori H01R 13/514
439/76.2
2013/0026161 A1 * 1/2013 I H02G 3/088
220/3.8
2014/0041928 A1 * 2/2014 Yamamoto H02G 3/22
174/520
2018/0083375 A1 * 3/2018 Matsumura H01R 9/226
2019/0202381 A1 * 7/2019 Steffka H02B 1/46
2019/0376542 A1 * 12/2019 Kawamura H05K 7/026
2019/0379191 A1 * 12/2019 Kawamura B60R 16/0238

OTHER PUBLICATIONS

MICTUNING 12-Slot Relay Box, dated 09/12/201, [online], [site visited Dec. 2, 2020]. Available from Internet, URL: <https://www.amazon.com/MICTUNING-12-Slot-Relays-Metallic-Automotive/dp/B075M4PRG2> (Year: 2017).*

12V Auto Waterproof Fuse Relay Box Block-amazon.ca, dated Jan. 2, 2019, [online], [site visited May 25, 2021]. Available from Internet, URL: <https://www.amazon.ca/ONLINE-LED-STORE-Waterproof-Automotive/dp/B07MR64XK1> (Year: 2019).*

12V Auto Waterproof Fuse Relay Box Block-amazon.co.uk, dated Dec. 28, 2018, [online], [site visited May 25, 2021]. Available from Internet, URL: <https://www.amazon.co.uk/ONLINE-LED-STORE-Waterproof-Automotive/dp/B08L5SGP2V> (Year: 2018).*

* cited by examiner

FIG. 1

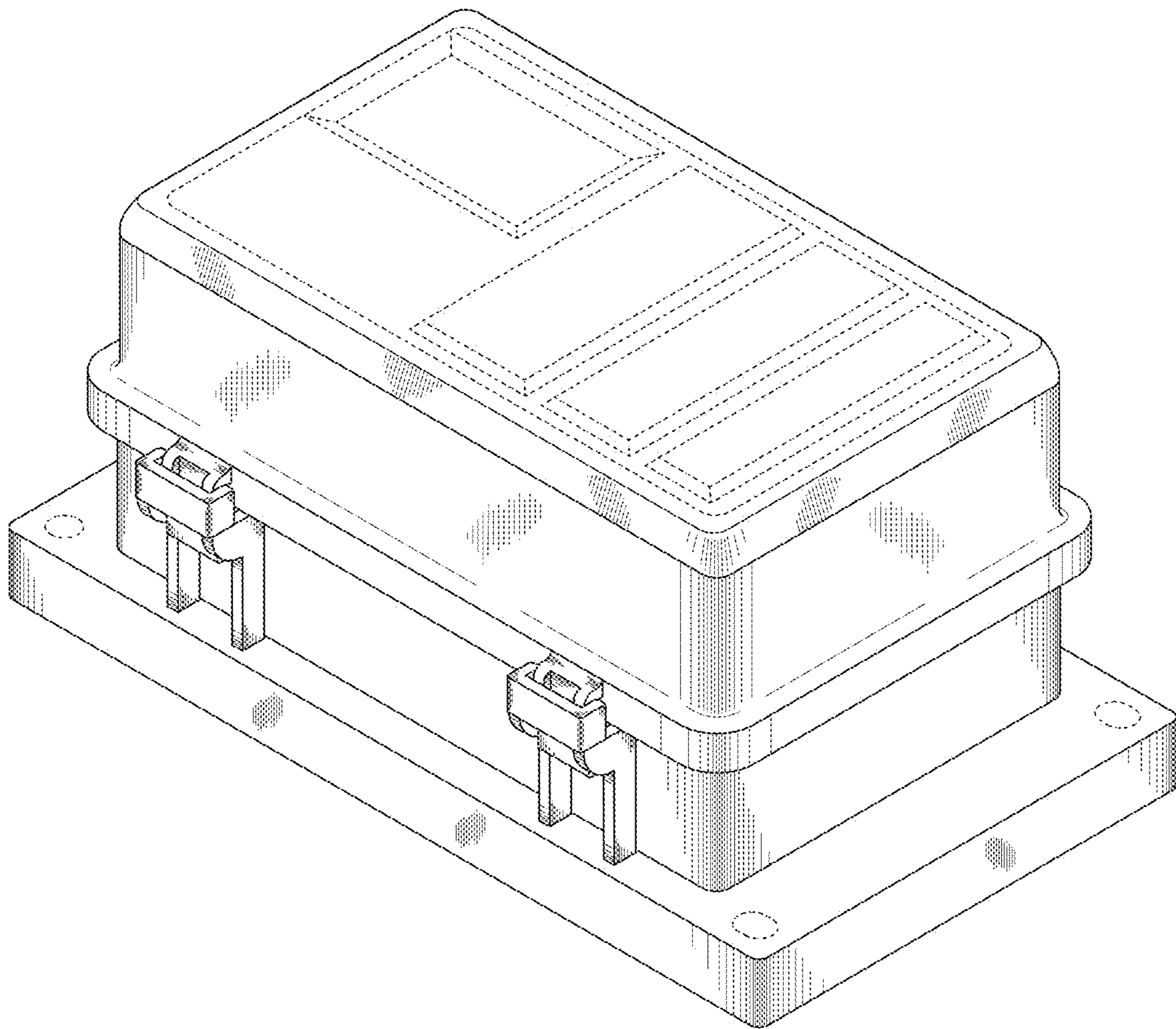


FIG. 2

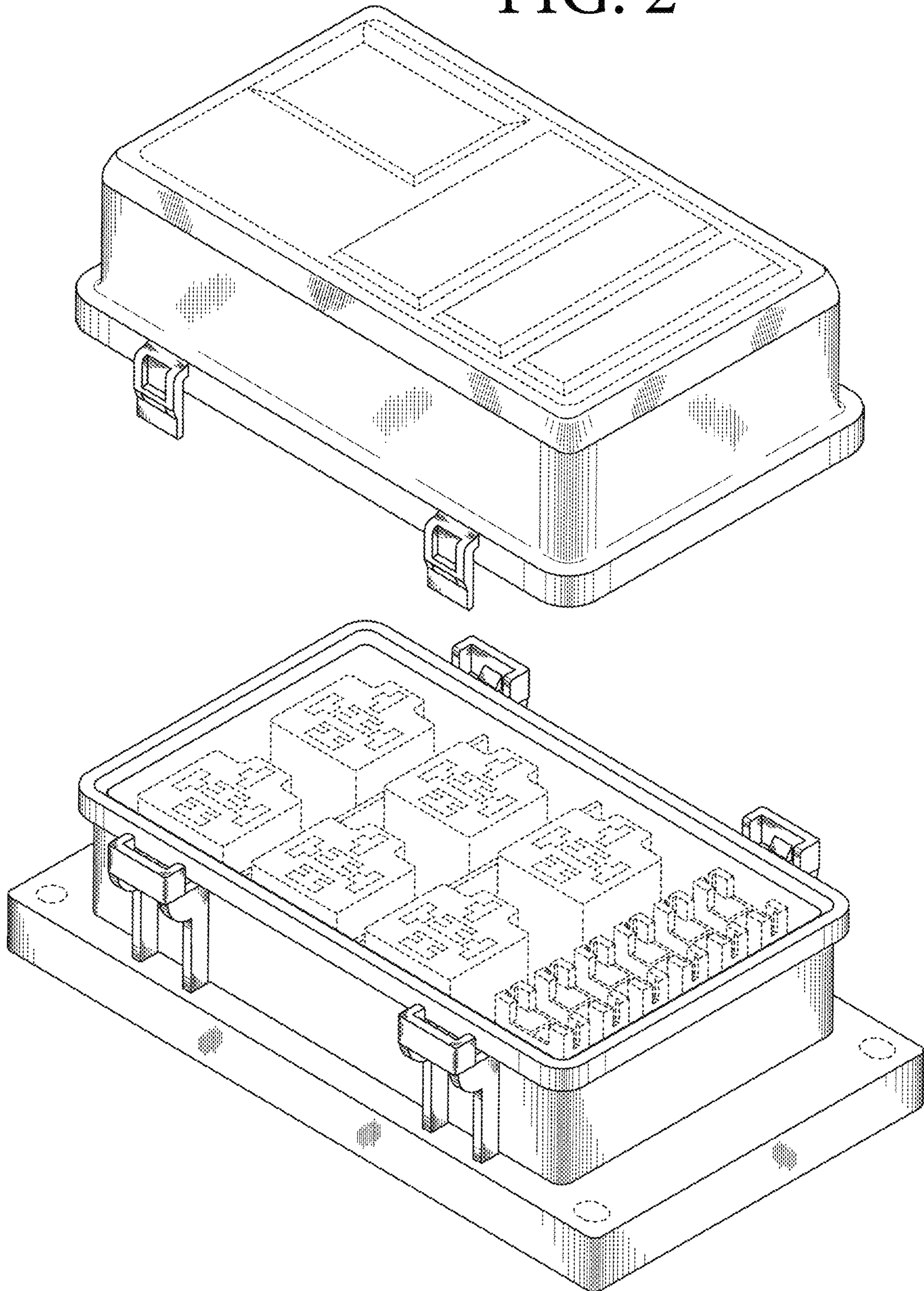


FIG. 3

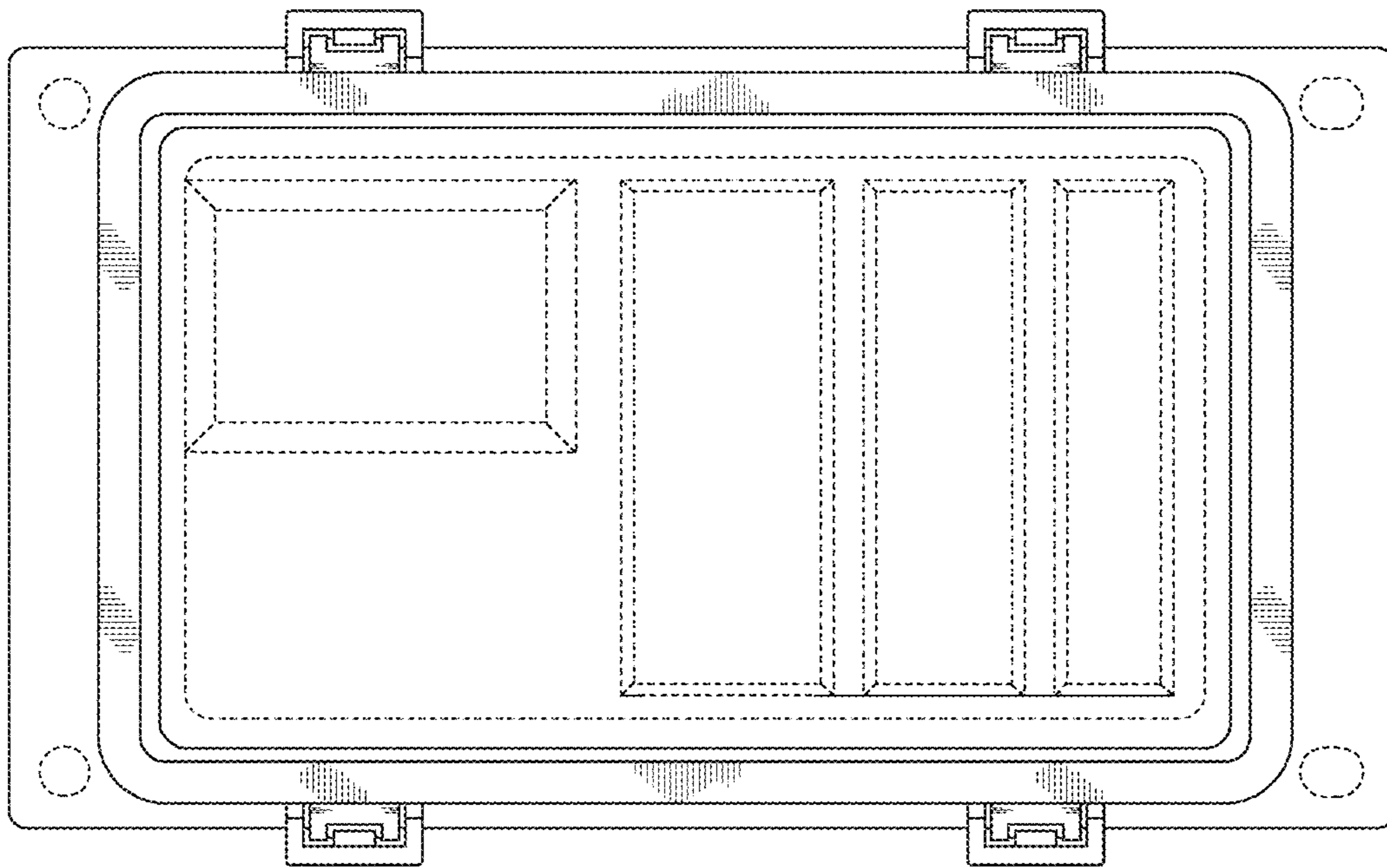


FIG. 4

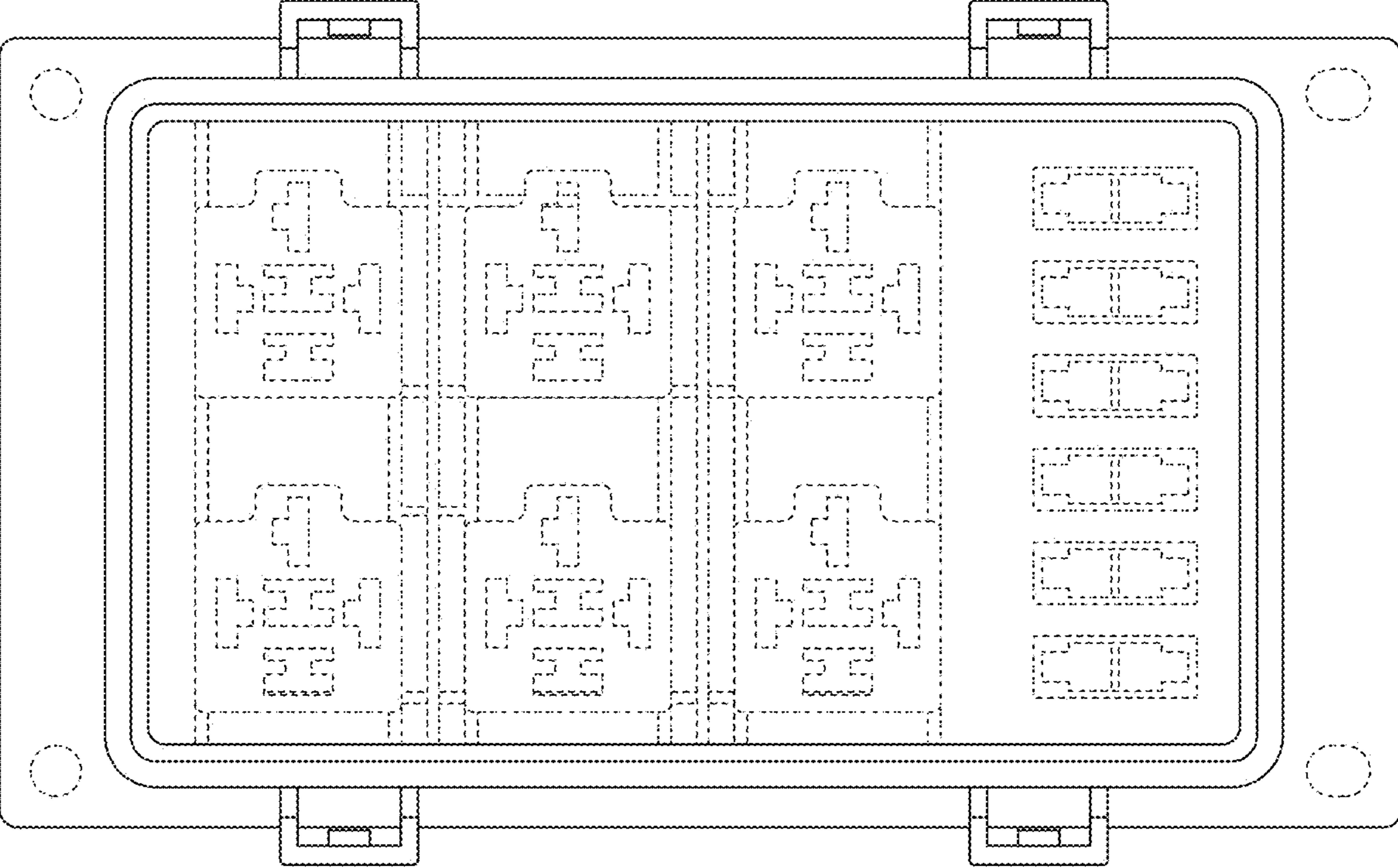


FIG. 5

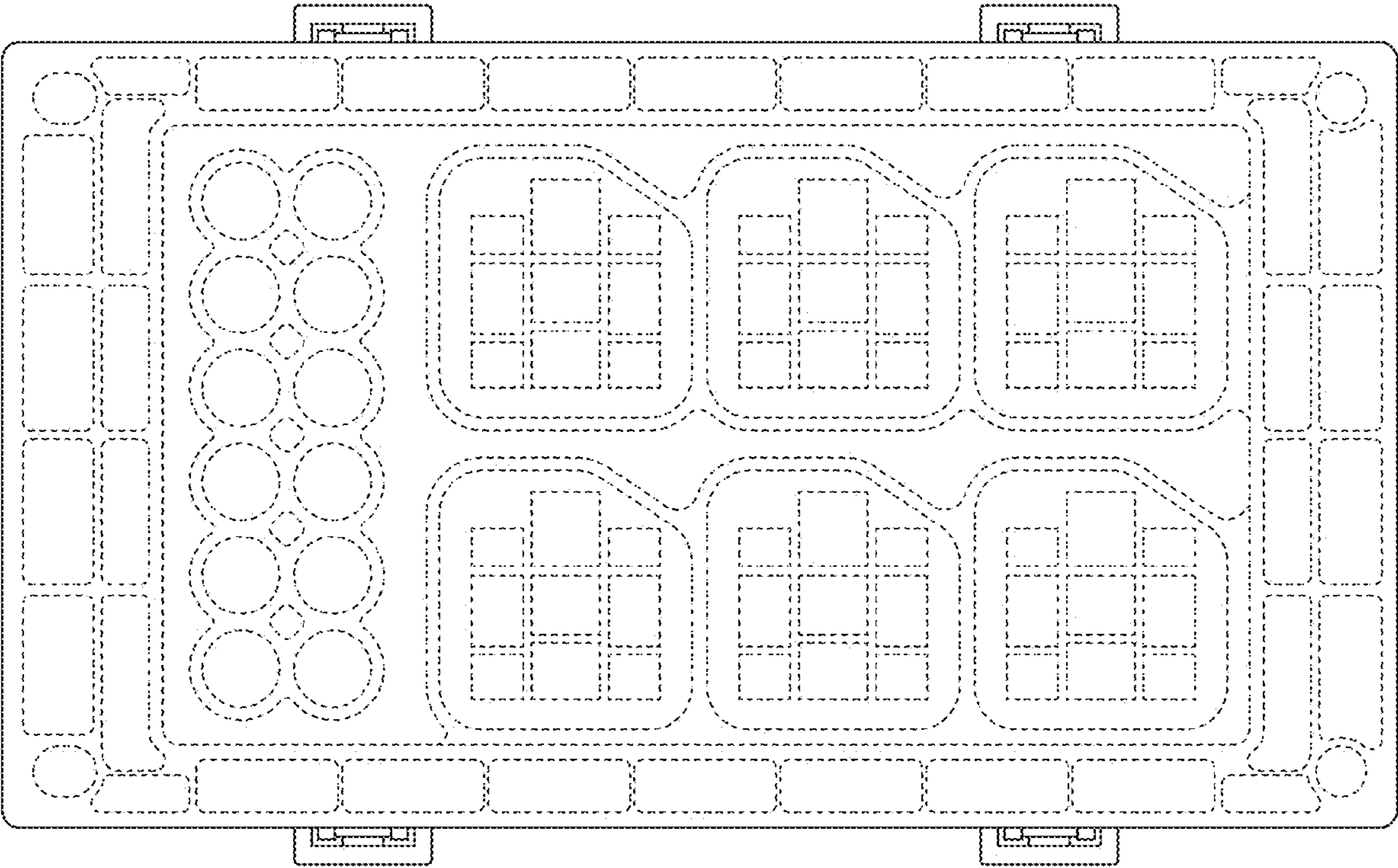


FIG. 6

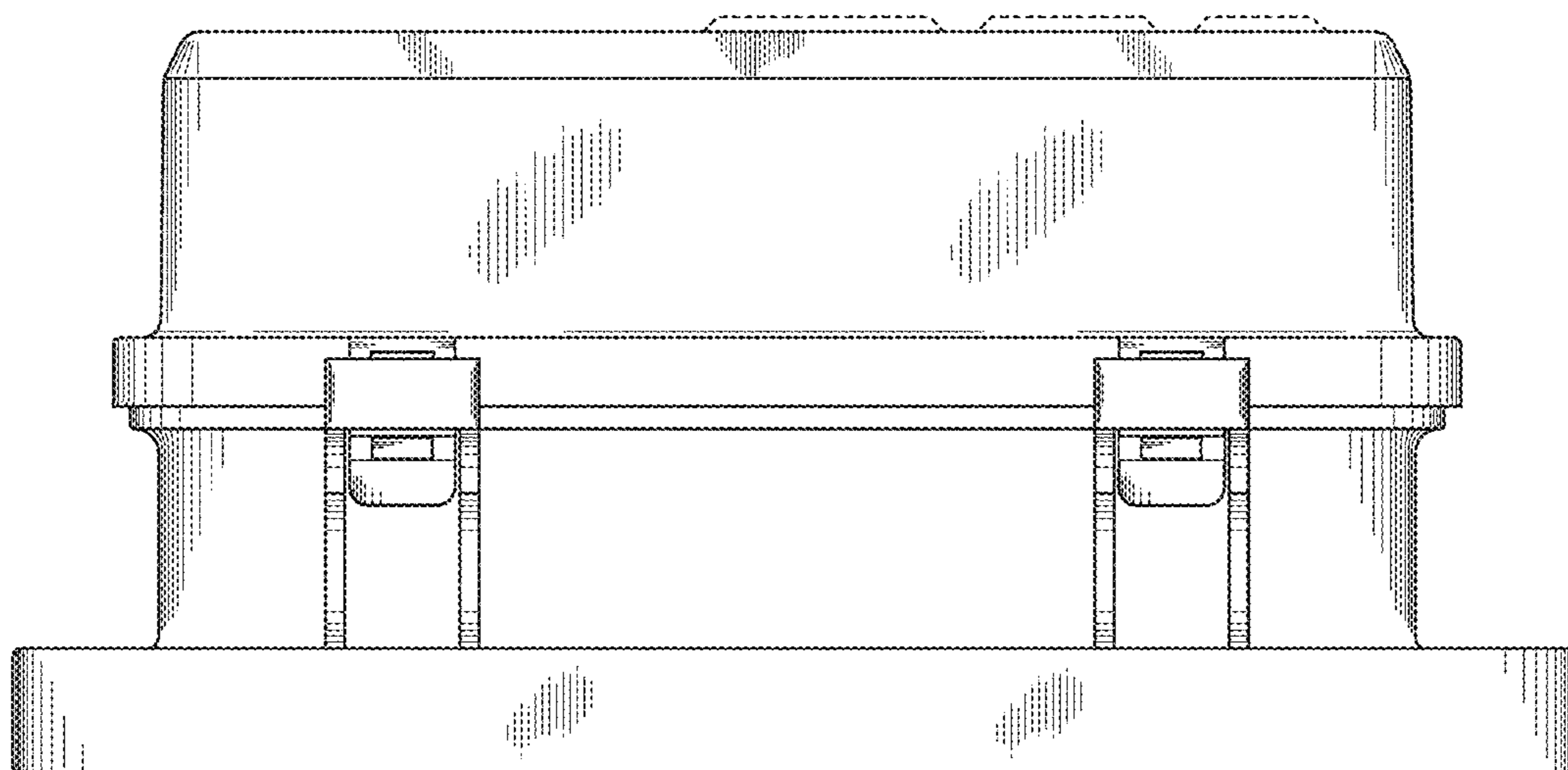


FIG. 7

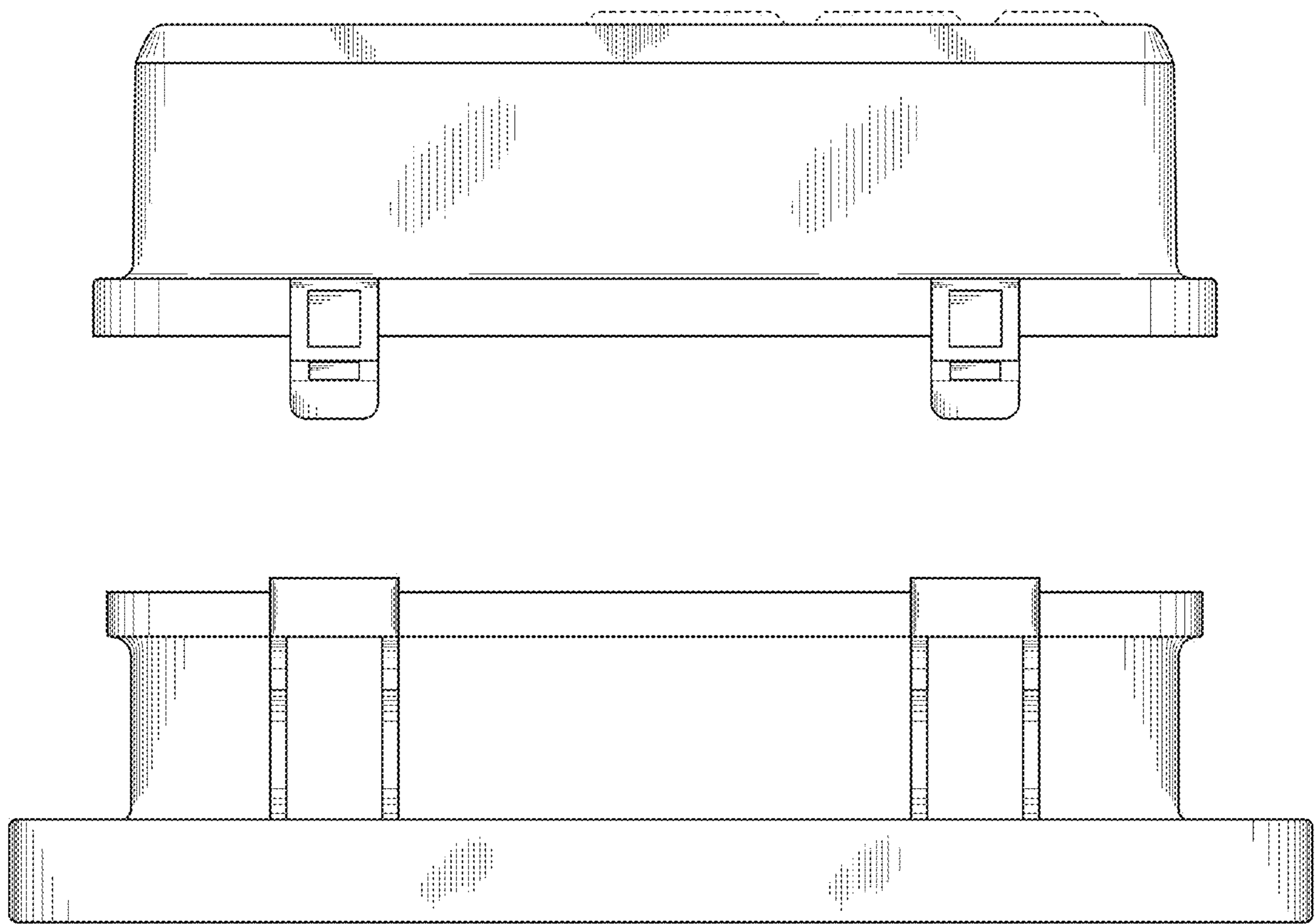


FIG. 8

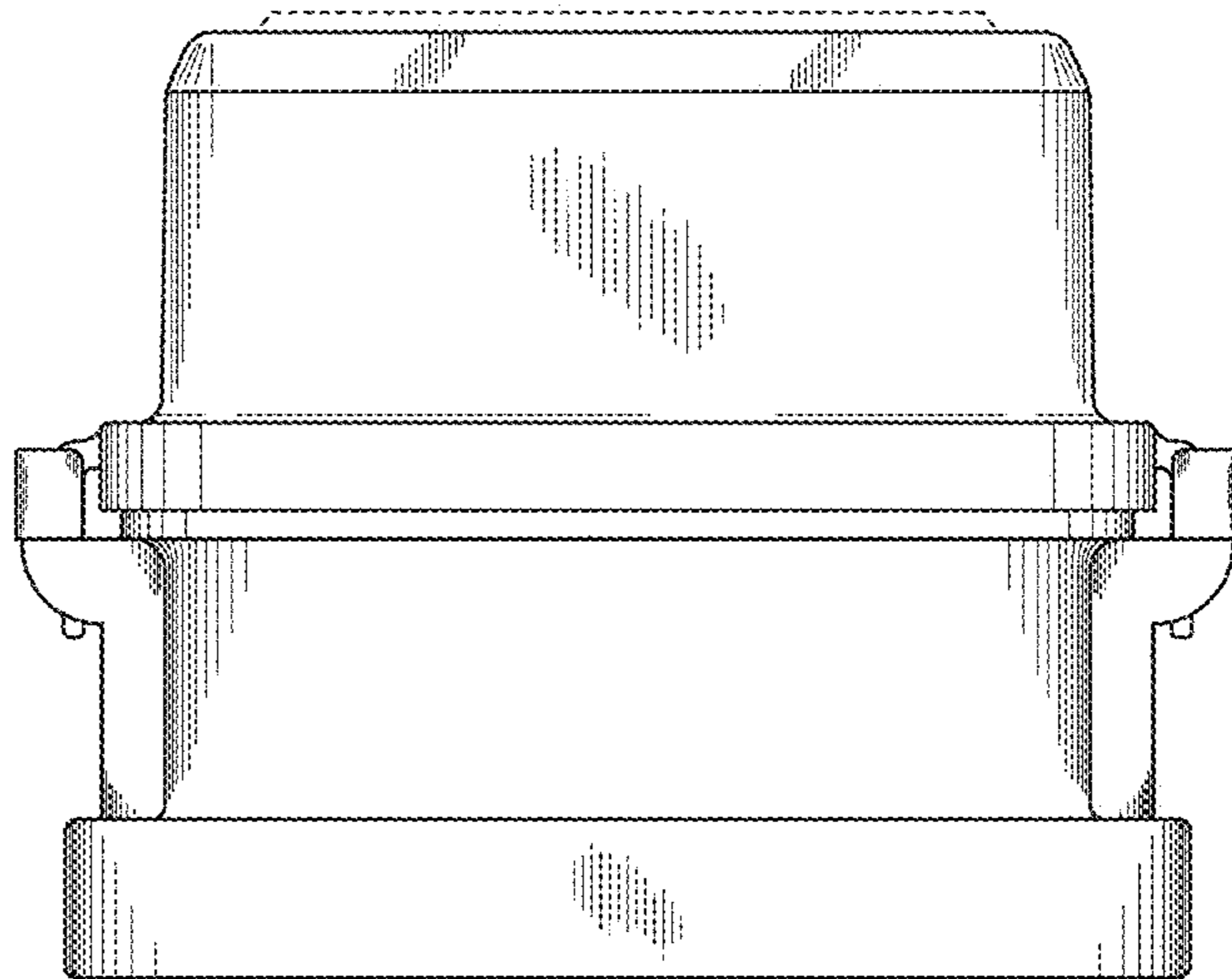


FIG. 9

