



US00D925465S

(12) **United States Design Patent** (10) **Patent No.:** **US D925,465 S**
Tan (45) **Date of Patent:** **** Jul. 20, 2021**

(54) **CABLE**

(71) Applicant: **Dongguan Yuanchuang Electronic Technology Co., Ltd.**, Guangdong (CN)
(72) Inventor: **Hongping Tan**, Guangdong (CN)
(73) Assignee: **Dongguan Yuanchuang Electronic Technology Co., Ltd.**, Dongguan (CN)

(**) Term: **15 Years**
(21) Appl. No.: **29/716,044**
(22) Filed: **Dec. 6, 2019**

(30) **Foreign Application Priority Data**

Aug. 13, 2019 (CN) 201930437824.9

(51) **LOC (13) Cl.** **13-03**

(52) **U.S. Cl.**
USPC **D13/153**

(58) **Field of Classification Search**
USPC D13/153, 199, 133, 154, 146, 147, 107, D13/108, 110
CPC H01R 25/006; H01R 27/02; H01R 31/005; H01R 13/7036; H01R 13/5812; H01R 13/642; H01R 13/5816; H01R 13/659; H01R 13/66; H01R 13/703; H01R 13/72;
(Continued)

(56) **References Cited**

U.S. PATENT DOCUMENTS

D524,907 S * 7/2006 Bosch D23/223
D596,579 S * 7/2009 Chawgo D13/133
(Continued)

FOREIGN PATENT DOCUMENTS

CN 305286679 * 8/2019

OTHER PUBLICATIONS

“New 540 Degree Rotating Magnetic Cable Lightning Cable for iPhone 11 Magnetic Charging Cord For iPhone 11Pro Max XR X XS 8 7 Plus”, first accessed May 6, 2021. Wish.com [https://www.wish.com/product/5ebcc98f2210002419ced2c2?hide_login_modal=true&from_ad=goog_shopping&_display_country_code=US&_force_ce_c%E2%80%A6&share=web] (Year: 2021).*

(Continued)

Primary Examiner — Rosemary K Tarcza
Assistant Examiner — Seth David Kumpf
(74) *Attorney, Agent, or Firm* — Minder Law Group; Willy H. Wong

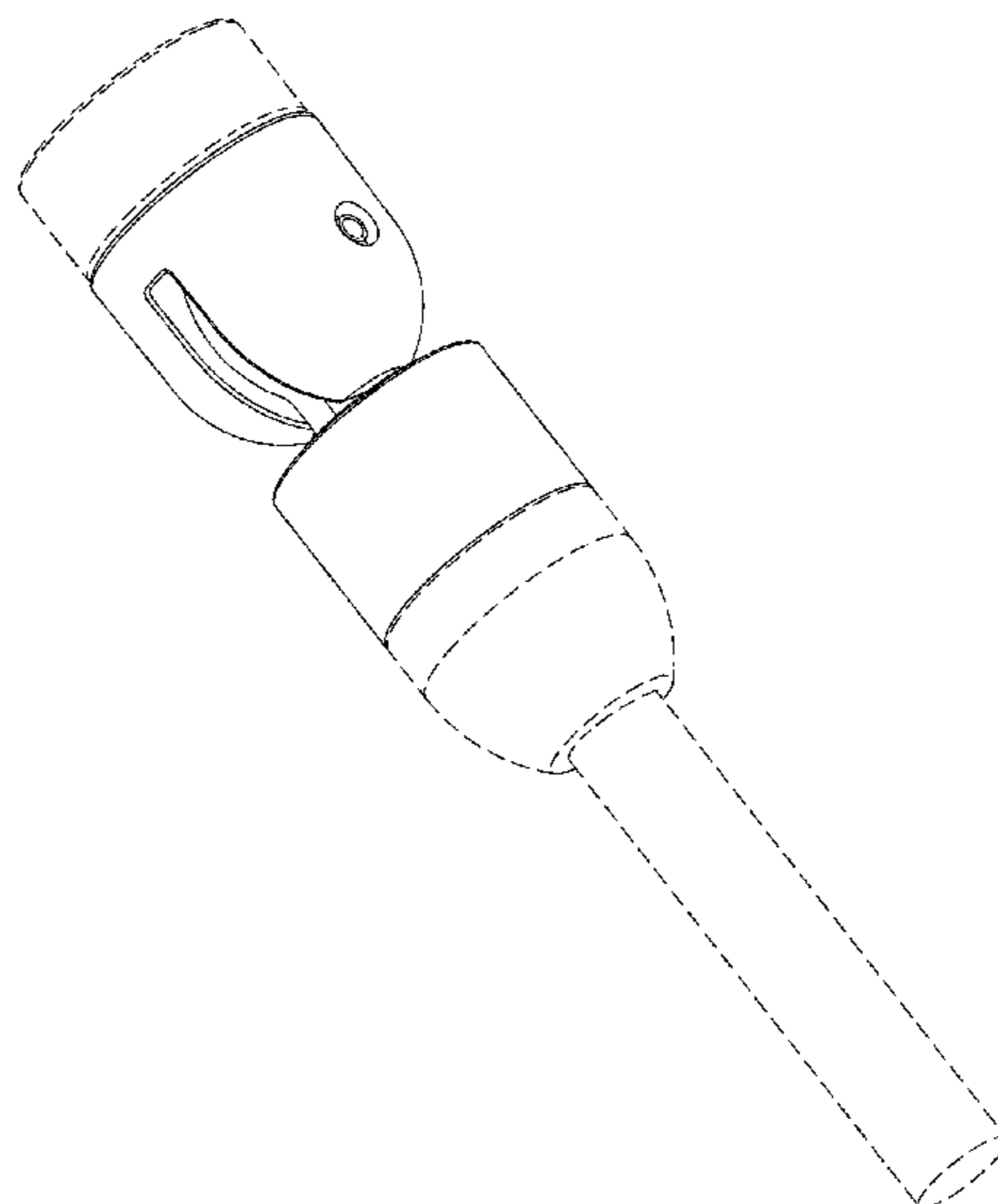
(57) **CLAIM**

The ornamental design for a cable, as shown and described.

DESCRIPTION

FIG. 1 is a perspective view of a cable showing my new design;
FIG. 2 is a second perspective view thereof;
FIG. 3 is a third perspective view thereof;
FIG. 4 is a front view thereof;
FIG. 5 is a back view thereof;
FIG. 6 is a left side view thereof;
FIG. 7 is a right side view thereof;
FIG. 8 is a top view thereof;
FIG. 9 is a bottom view thereof;
FIG. 10 is an enlarged view of Section 10 shown in FIG. 9;
FIG. 11 is a perspective view of the cable shown in an alternate position; and,
FIG. 12 is a perspective view of the cable shown in an environment of use.
The broken lines shown in the drawings are for the purpose of illustrating portions of the cable that form no part of the claimed design. The broken lines showing the connector element in FIG. 12 are for the purpose of illustrating environmental structure and form no part of the claimed design.

1 Claim, 12 Drawing Sheets



(58) **Field of Classification Search**

CPC .. G06F 13/4022; G06F 13/382; G06F 1/1632;
G06F 1/1684; G06F 1/20; G06F 1/1607;
H02G 3/14; H02G 11/02; F21S 4/001;
F21V 27/00; F21V 33/00

See application file for complete search history.

(56) **References Cited**

U.S. PATENT DOCUMENTS

D596,580	S	*	7/2009	Chawgo	D13/133
D596,581	S	*	7/2009	Amidon	D13/133
D603,802	S	*	11/2009	Amidon	D13/133
D603,803	S	*	11/2009	Amidon	D13/133
D605,136	S	*	12/2009	Amidon	D13/133
D678,844	S	*	3/2013	Haberek	D13/151
D691,961	S	*	10/2013	Natoli	D13/151
D692,389	S	*	10/2013	Natoli	D13/151
D703,147	S	*	4/2014	Hanson	D13/151
D847,092	S	*	4/2019	Kelley	D13/133

OTHER PUBLICATIONS

“Free Shipping Best Quality Wholesale Greenport 3A Magnet Phone Charger 1M Nylon Led Magnetic Fast Charging Data Cable Micro Usb”, first accessed May 6, 2021. Alibaba.com [https://www.alibaba.com/product-detail/Free-Shipping-Best-Quality-Wholesale-Greenport_62592703943.html?spm=a2700.7724857.normal_offer.d_ti%E2%80%A6] (Year: 2021).*

“3A Magnetic Charging Cable Fast Charging, iBYWM 540° Rotation Magnetic Fast Phone Charger Data Transfer Cable, 3 in 1 Fast Charger USB Cable, Compatible with Micro USB, Type-C (3-Pack)”, first available Aug. 10, 2020. Amazon.com [https://www.amazon.com/Magnetic-Charging-iBYWM-Compatible-iProducts/dpp/B08F9WD1LB/ref=asc_df_B08F9WD1LB/?tag=hyprod-20&linkCode=d%E2%80%A6] (Year: 2020).*

* cited by examiner

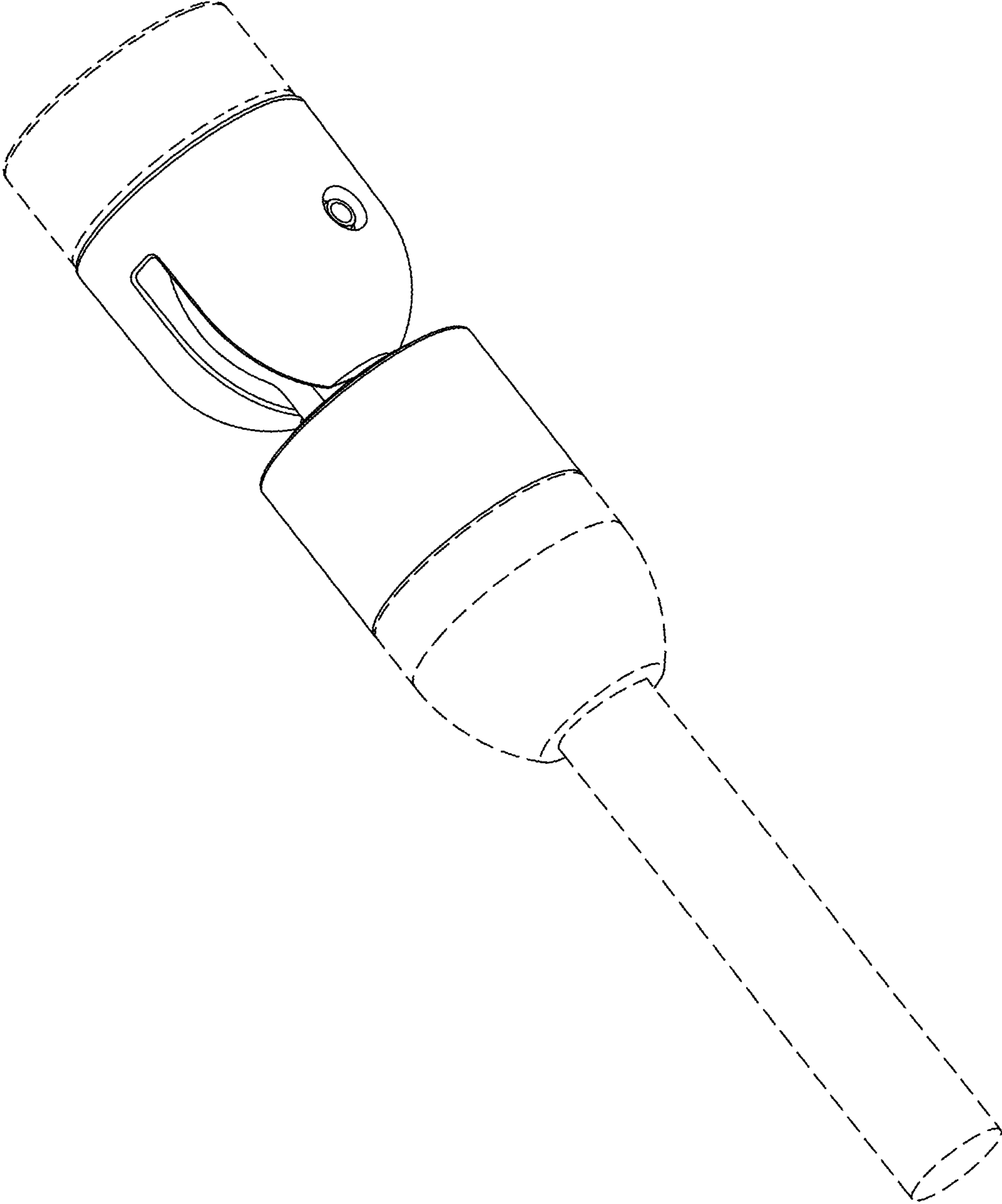


FIG. 1

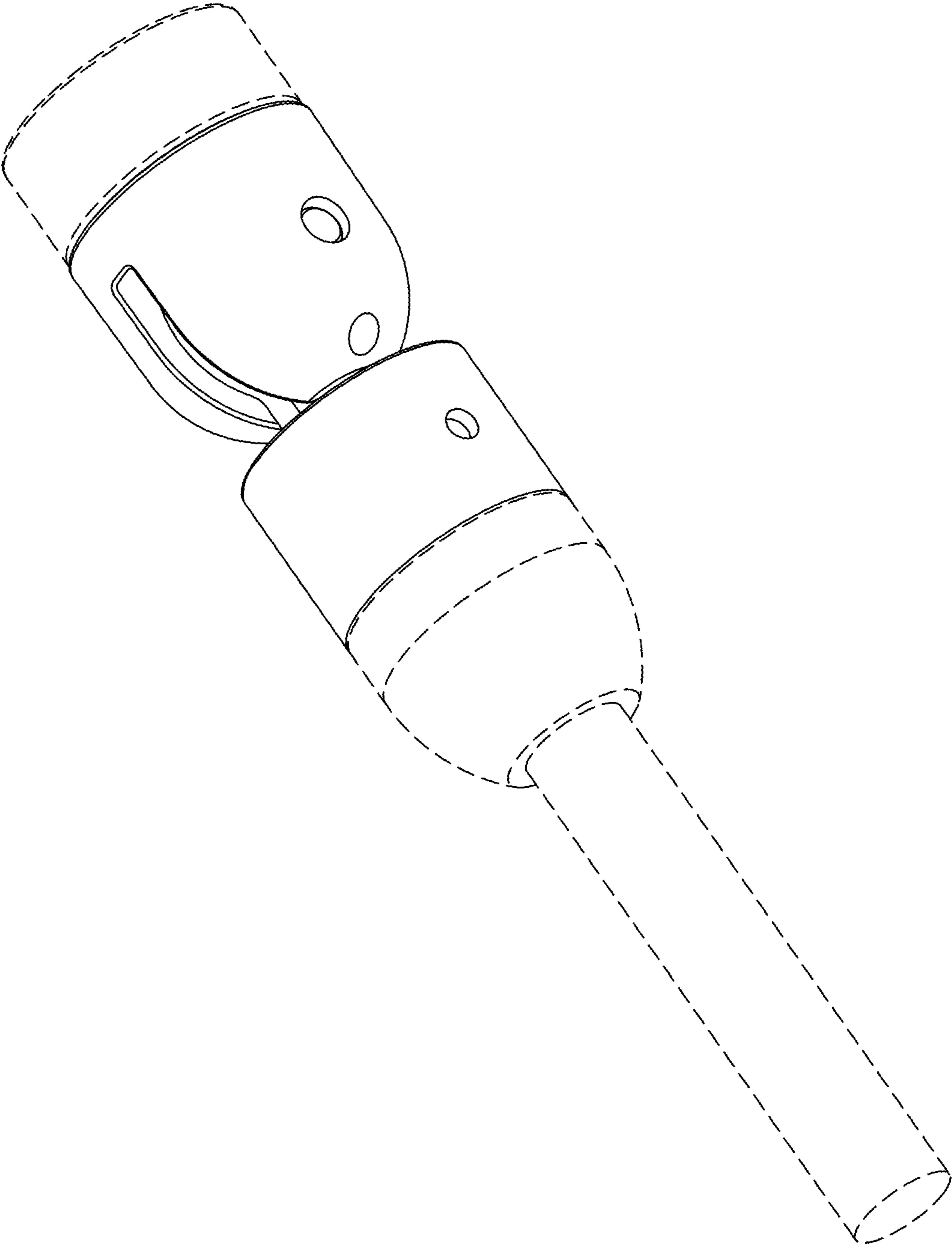


FIG. 2

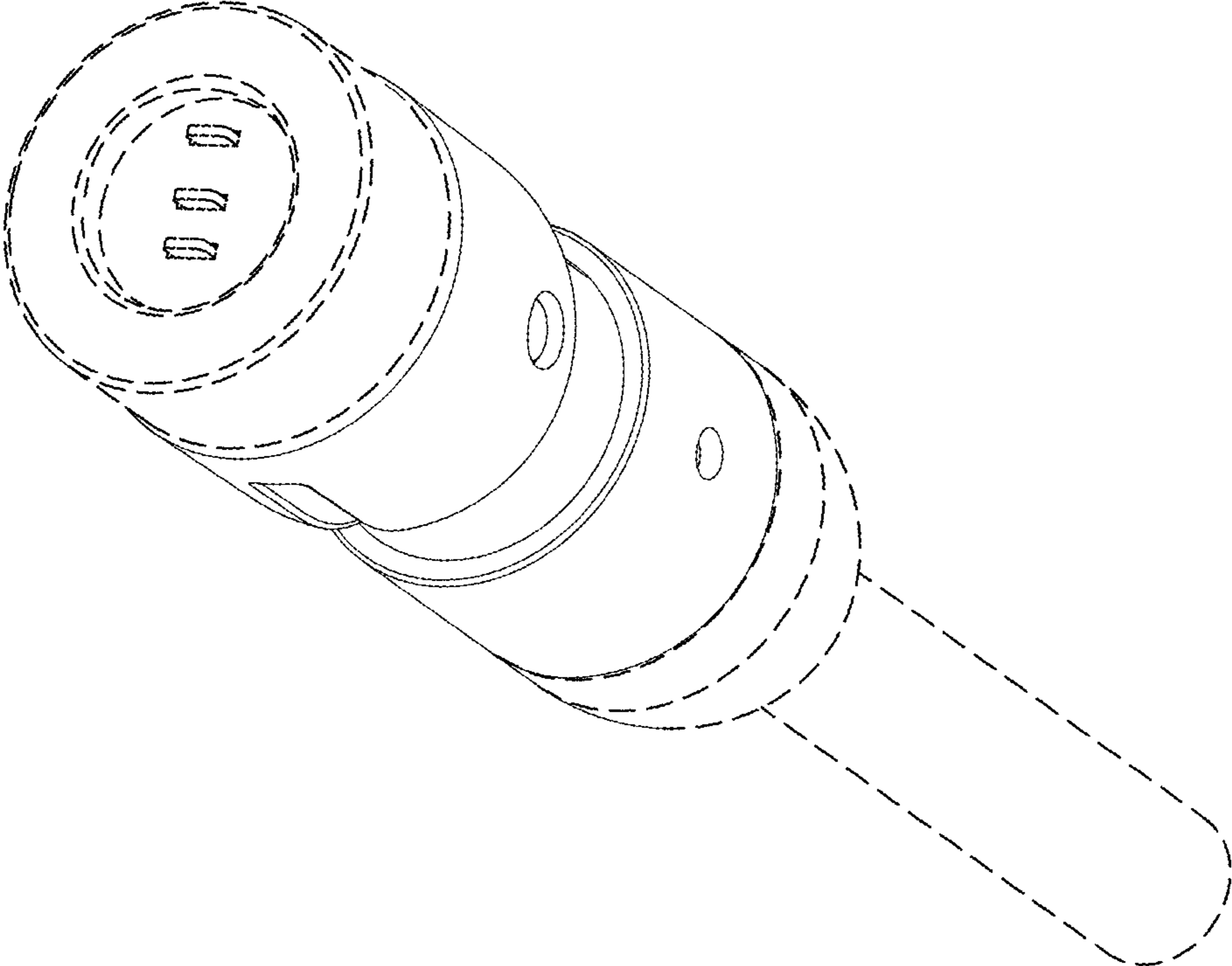


FIG. 3

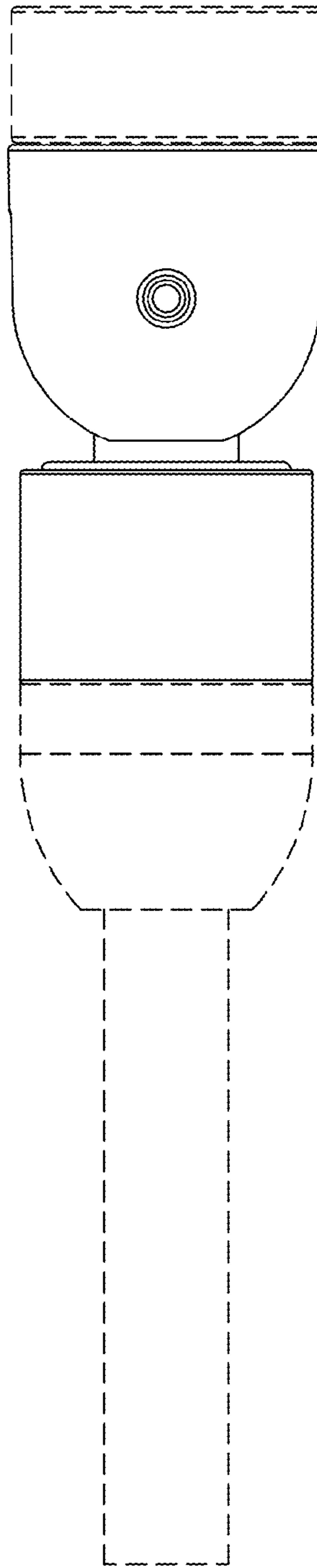


FIG. 4

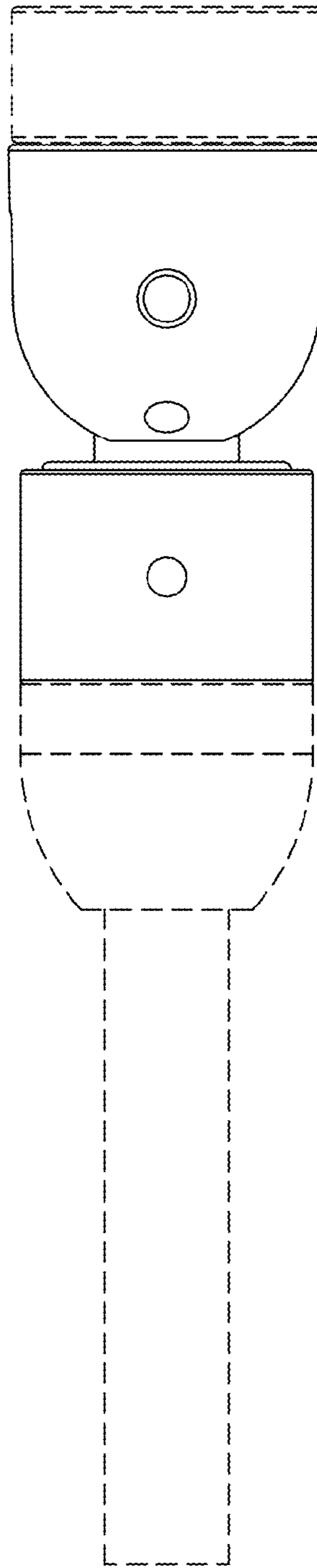


FIG. 5

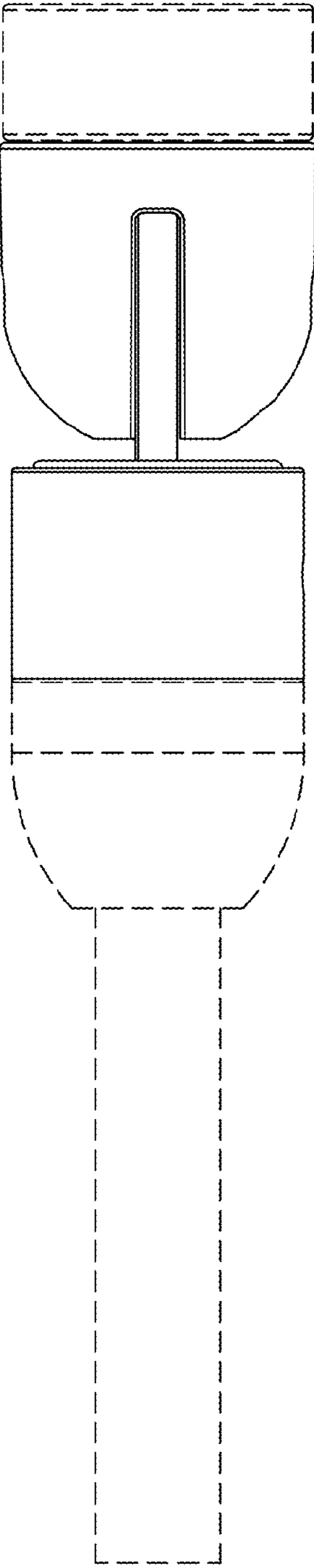


FIG. 6

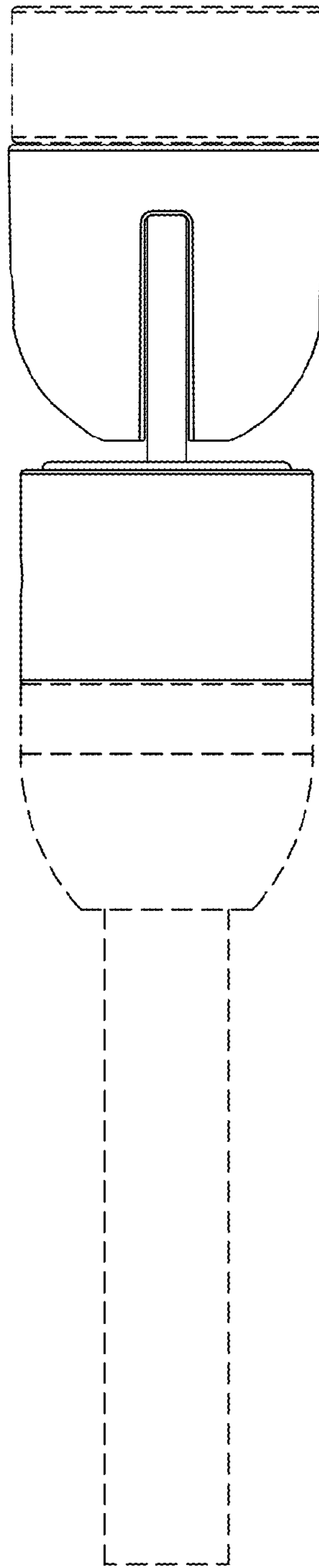


FIG. 7

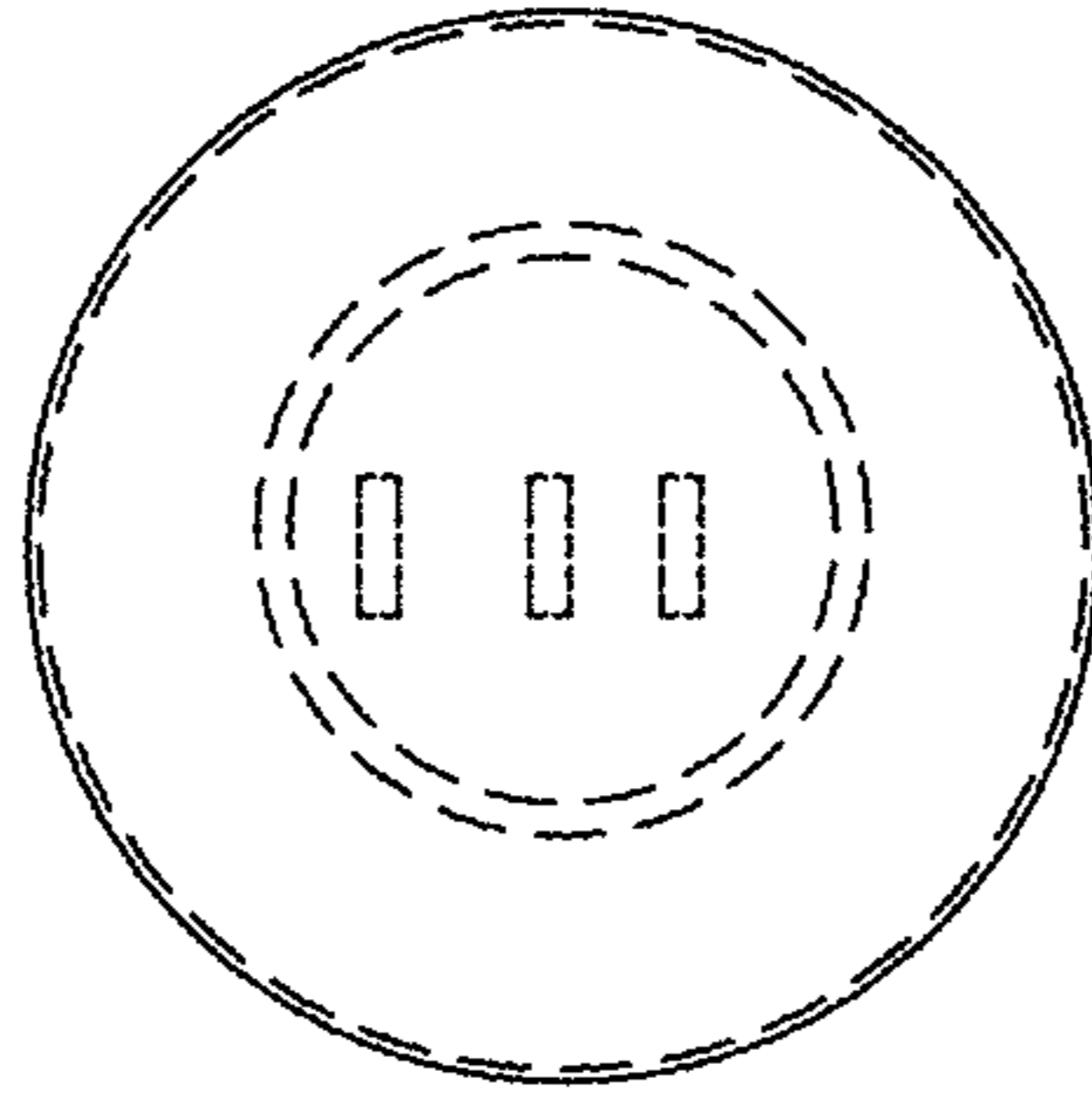


FIG. 8

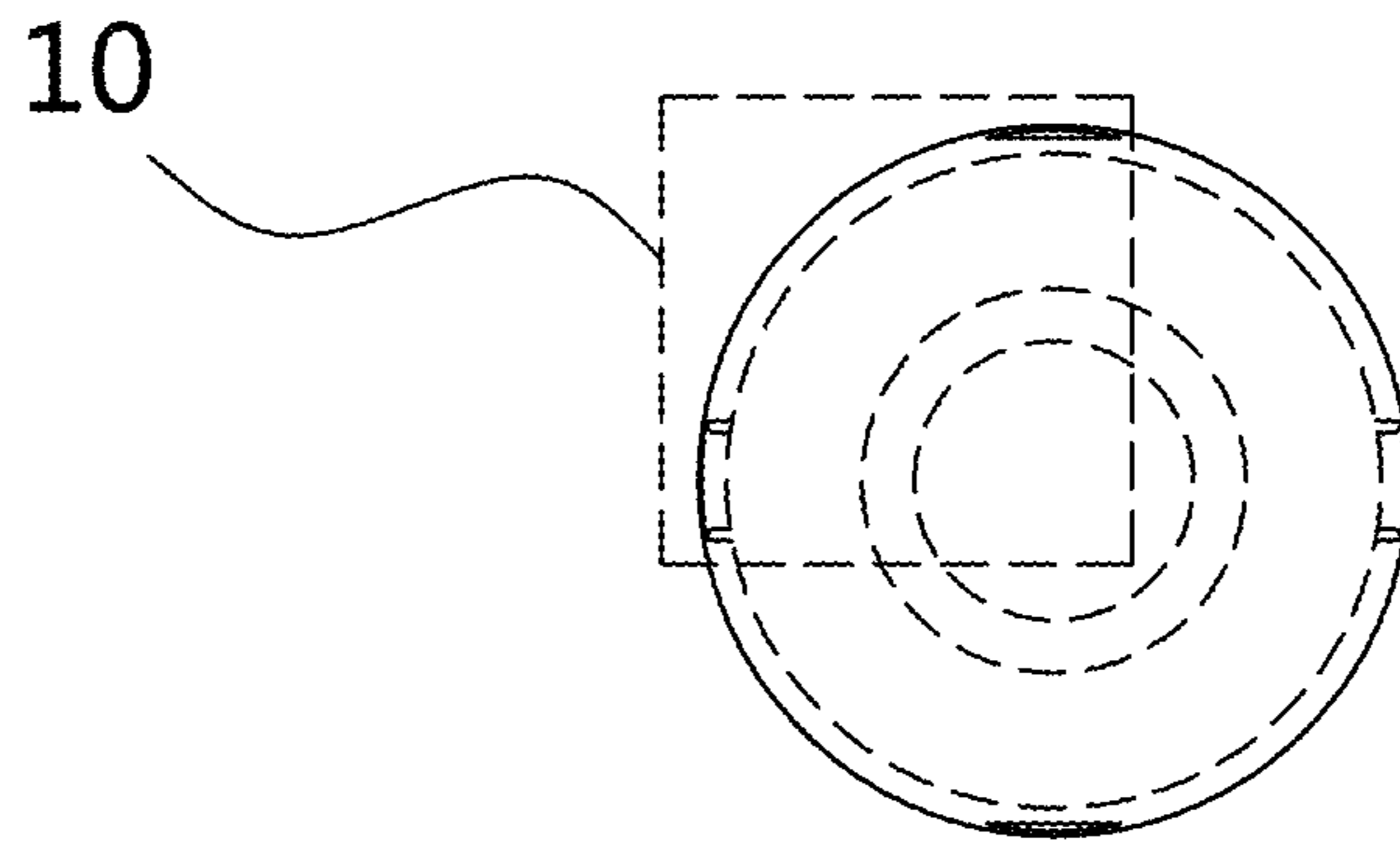


FIG. 9

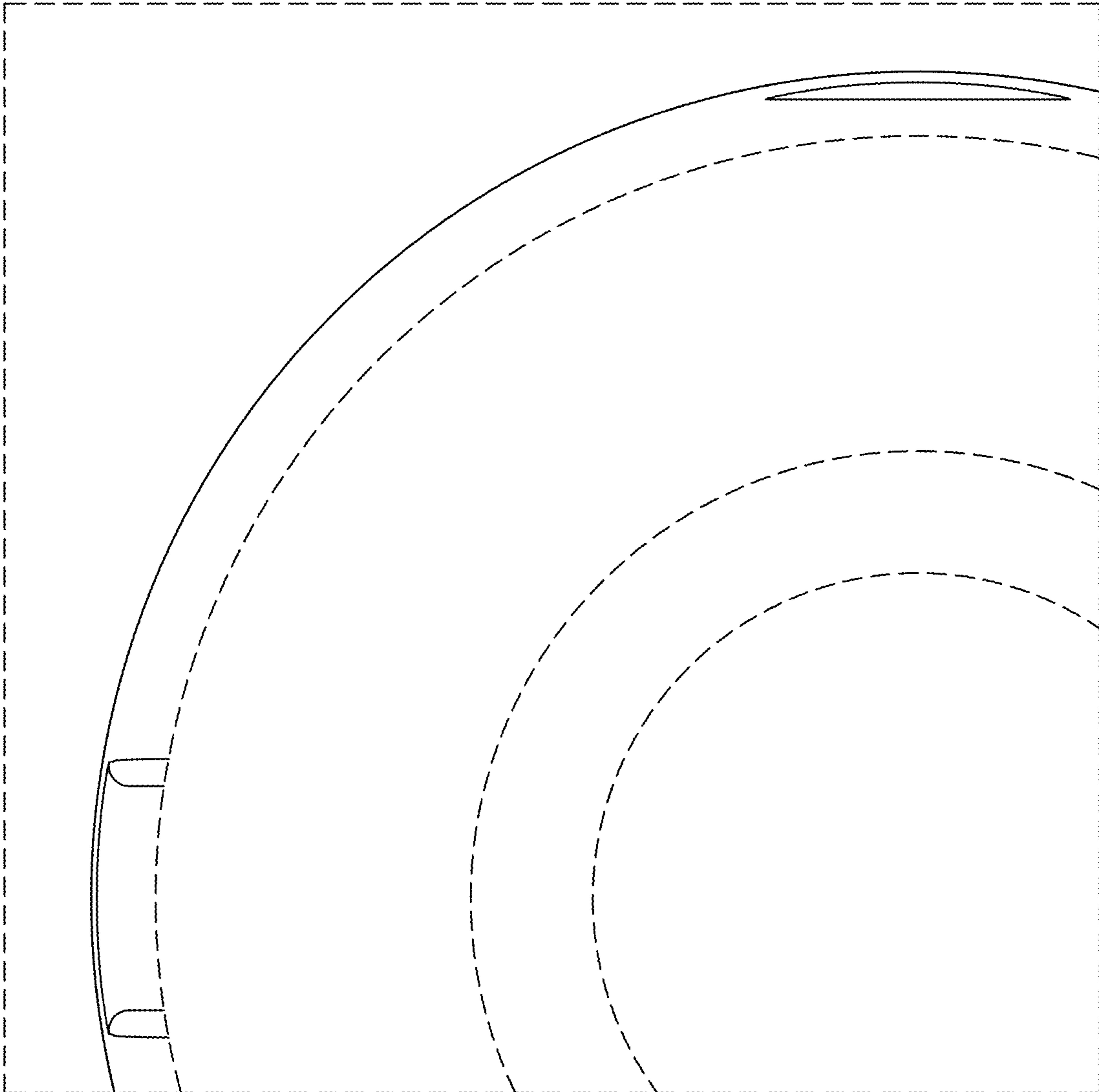


FIG. 10

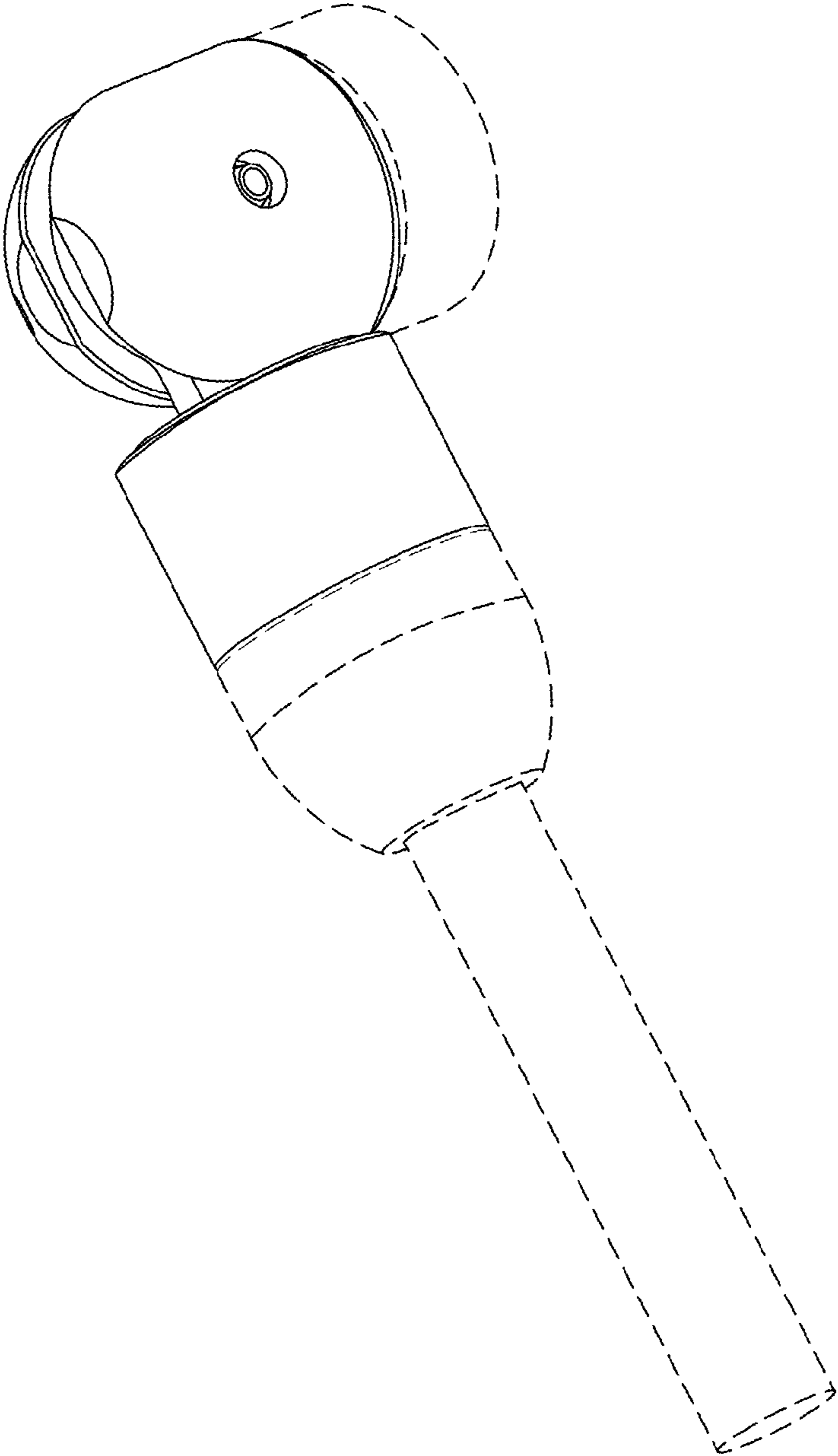


FIG. 11

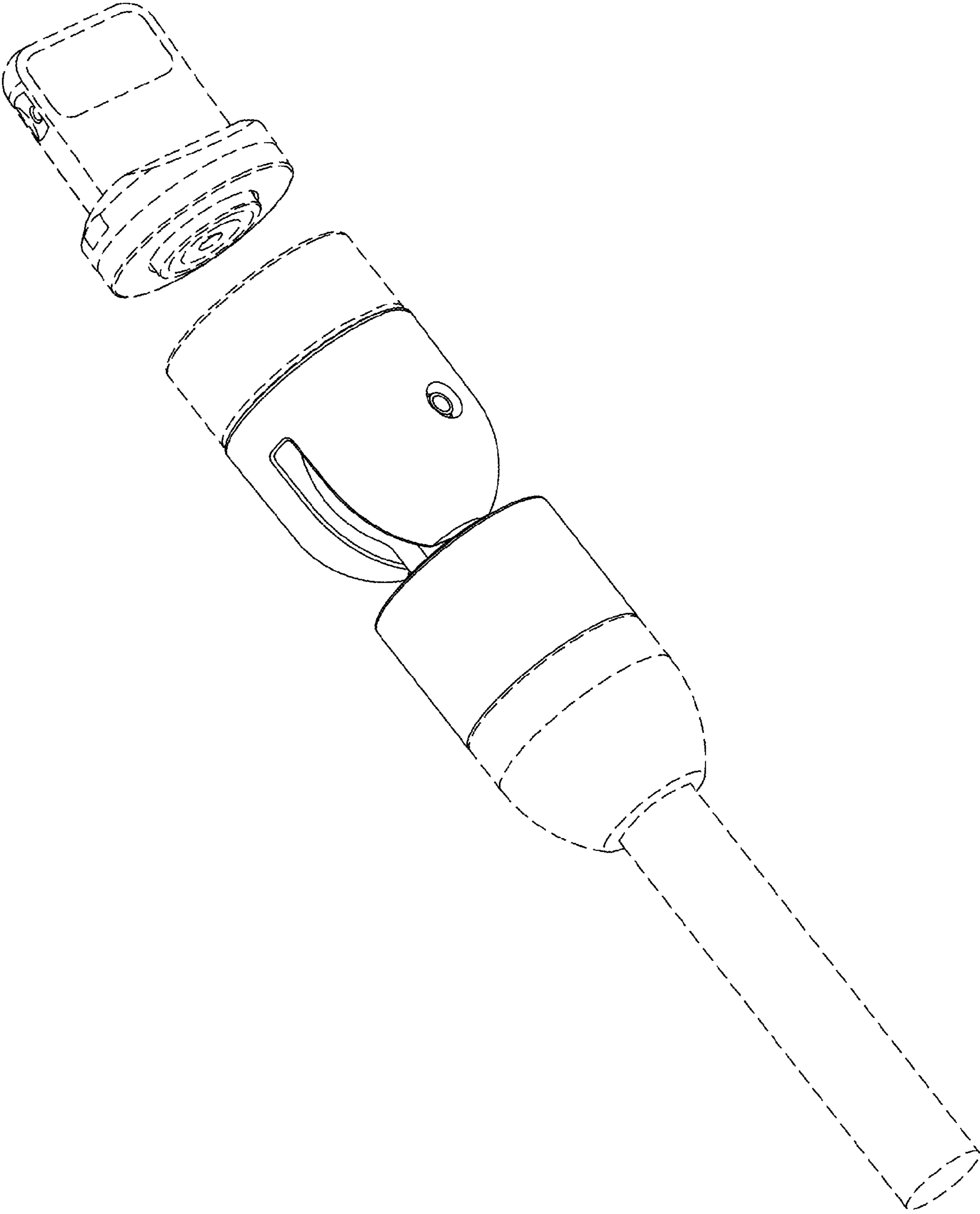


FIG. 12