



US00D925463S

(12) **United States Design Patent**  
**Loor Canizares et al.**

(10) **Patent No.:** **US D925,463 S**  
(45) **Date of Patent:** **\*\* Jul. 20, 2021**

- (54) **ELECTRICAL WALL BOX**
- (71) Applicant: **Amazon Technologies, Inc.**, Seattle, WA (US)
- (72) Inventors: **Wilfrido Loor Canizares**, San Francisco, CA (US); **Christopher Green**, San Francisco, CA (US); **Marc Rene Walliser**, San Francisco, CA (US)
- (73) Assignee: **Amazon Technologies, Inc.**, Seattle, WA (US)
- (\*\*) Term: **15 Years**

5,895,888	A	4/1999	Arenas et al.	
6,906,260	B2 *	6/2005	Grendahl	H02G 3/12 174/58
D513,495	S *	1/2006	Hull	D13/152
D519,930	S *	5/2006	Hull	D13/152
D553,583	S *	10/2007	Xu	D13/164
D583,335	S	12/2008	Ni	
D635,921	S *	4/2011	Sato	D13/139.4
D649,122	S	11/2011	Jacoby et al.	
D708,977	S	7/2014	Corso et al.	
D733,075	S	6/2015	Junko et al.	
D740,766	S	10/2015	Falkenberg et al.	
D781,248	S *	3/2017	Amrine, Jr.	D13/164
9,755,411	B2 *	9/2017	Caporale	H01B 3/443
D808,339	S *	1/2018	Page	D13/139.4
D817,898	S *	5/2018	Seidl	D13/164

(Continued)

- (21) Appl. No.: **29/653,418**
- (22) Filed: **Jun. 14, 2018**
- (51) **LOC (13) Cl.** ..... **13-03**
- (52) **U.S. Cl.**  
USPC ..... **D13/152**
- (58) **Field of Classification Search**  
USPC ..... D13/107, 108, 110, 123, 133,  
D13/137.1–137.4, 138.1–138.2,  
D13/139.1–139.8, 152, 154, 184, 147,  
D13/199, 146, 151, 153, 155, 156, 164;  
D8/350, 353–356  
CPC ..... H01R 11/00; H01R 9/00; H01R 13/00;  
H01R 13/04; H01R 13/10; H01R  
13/6666; H01R 13/6675; H01R 13/46;  
H01R 25/00; H01R 25/006; H01R 24/28;  
H01H 2207/00; H01H 2207/022; H01B  
7/2806  
See application file for complete search history.

(56) **References Cited**  
U.S. PATENT DOCUMENTS

1,540,330	A *	6/1925	Hartmann	H02G 3/121 439/539
5,562,222	A *	10/1996	Jordan	H02G 3/14 220/3.8

OTHER PUBLICATIONS

Treatlife, "Smart Dimmer Switch", Apr. 2018, 2 pgs.

*Primary Examiner* — Christy Nemeth  
(74) *Attorney, Agent, or Firm* — Lee & Hayes, P.C.

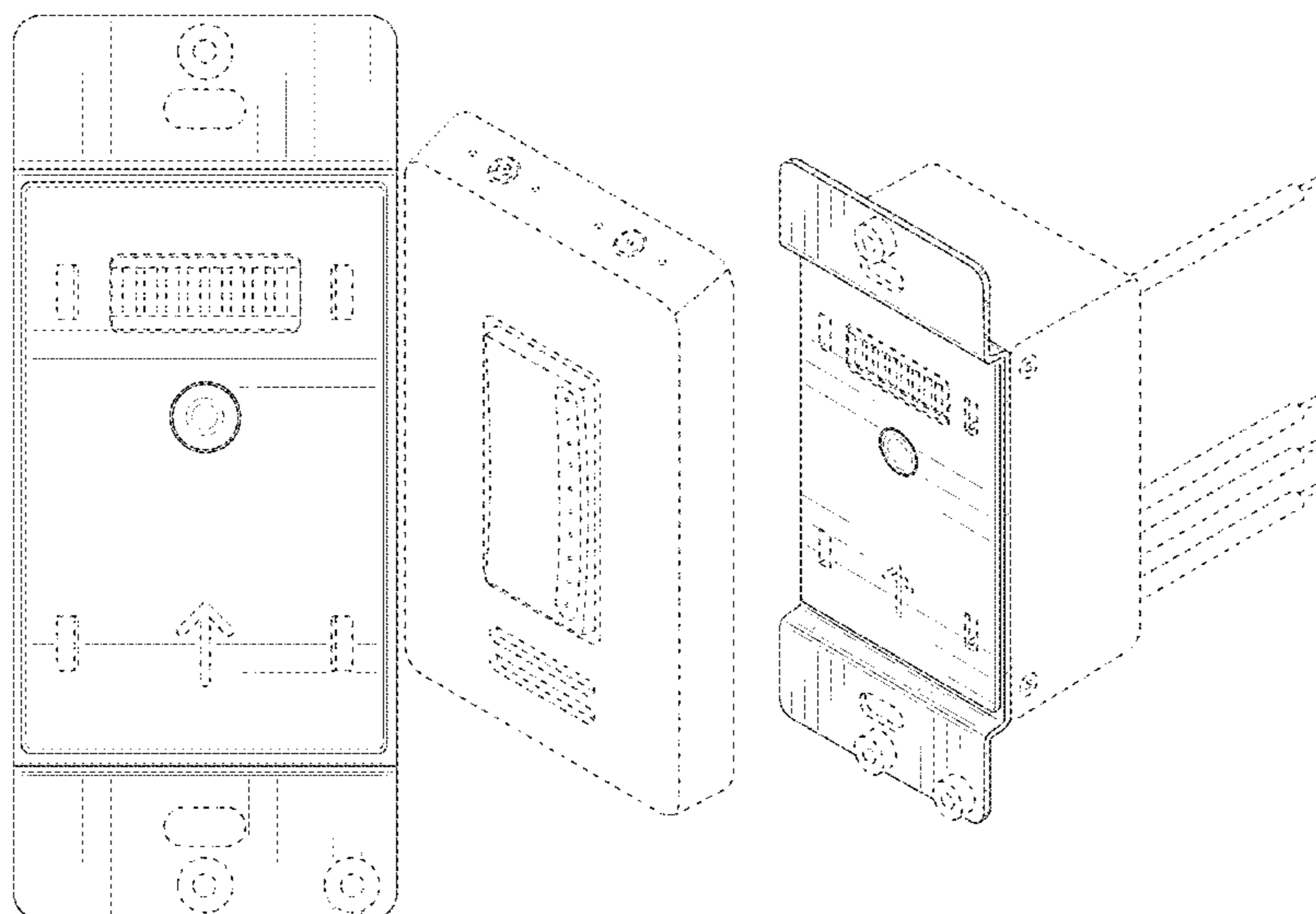
(57) **CLAIM**

The ornamental design for an electrical wall box, as shown and described.

**DESCRIPTION**

FIG. 1 is a front perspective view of an electrical wall box; FIG. 2 is a front elevation view thereof; FIG. 3 is a back elevation view thereof; FIG. 4 is a left-side elevation view thereof; FIG. 5 is a right-side elevation view thereof; FIG. 6 is a top plan view thereof; FIG. 7 is a bottom plan view thereof; and, FIG. 8 is an exploded front perspective view of the electrical wall box, shown in an environment of use. The broken lines in the figures are for the purposes of illustrating portions of the electrical wall box and environment which form no part of the claimed design.

**1 Claim, 8 Drawing Sheets**



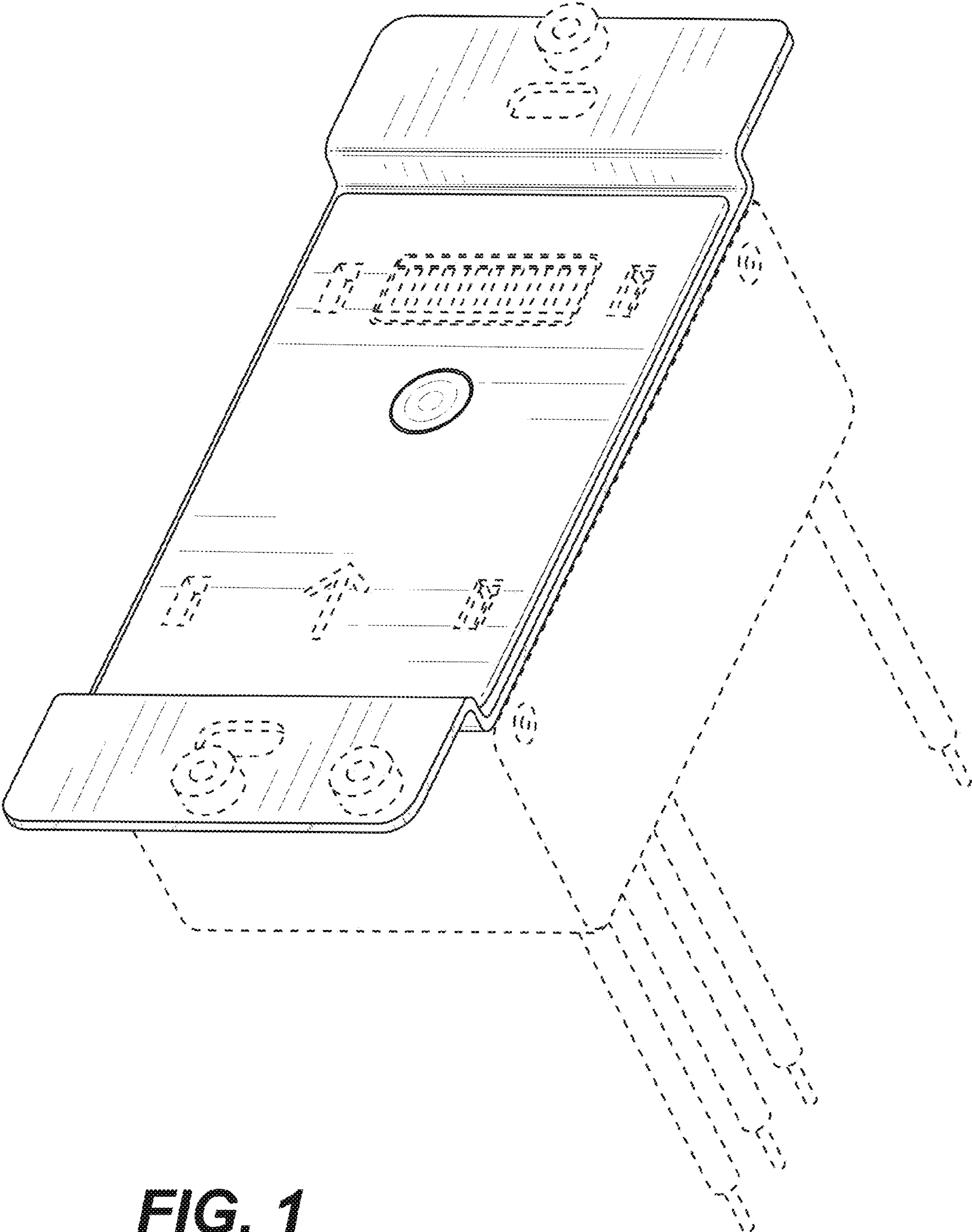
(56)

**References Cited**

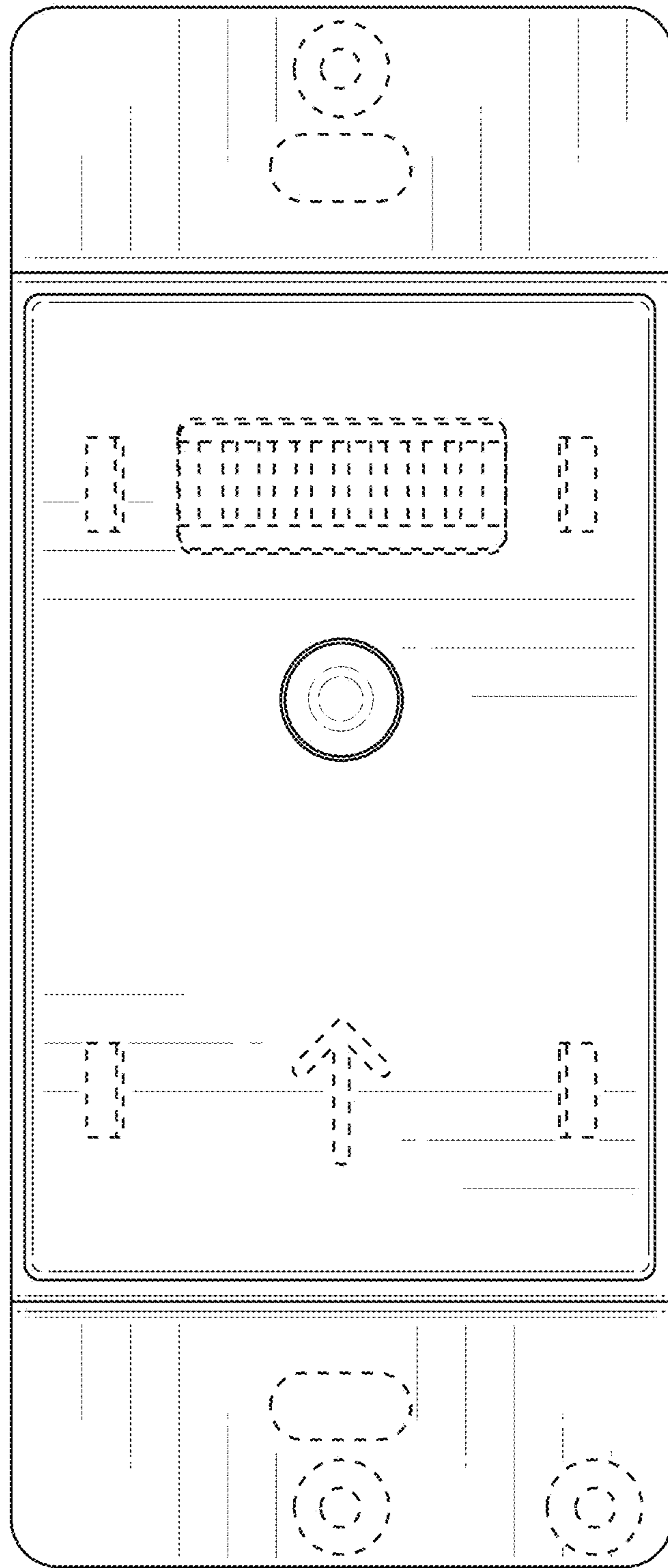
U.S. PATENT DOCUMENTS

D821,985 S 7/2018 Zheng  
D826,860 S \* 8/2018 Iaconis ..... D13/139.1  
D830,857 S \* 10/2018 Ni ..... D10/40  
D830,977 S 10/2018 Liao et al.  
D848,379 S \* 5/2019 McKenny ..... D13/156  
D855,565 S \* 8/2019 Bonilla ..... D13/108  
D897,976 S \* 10/2020 Lanter, Jr. .... D13/184  
2010/0214756 A1 8/2010 Feldstein  
2020/0020490 A1 1/2020 Dimberg et al.

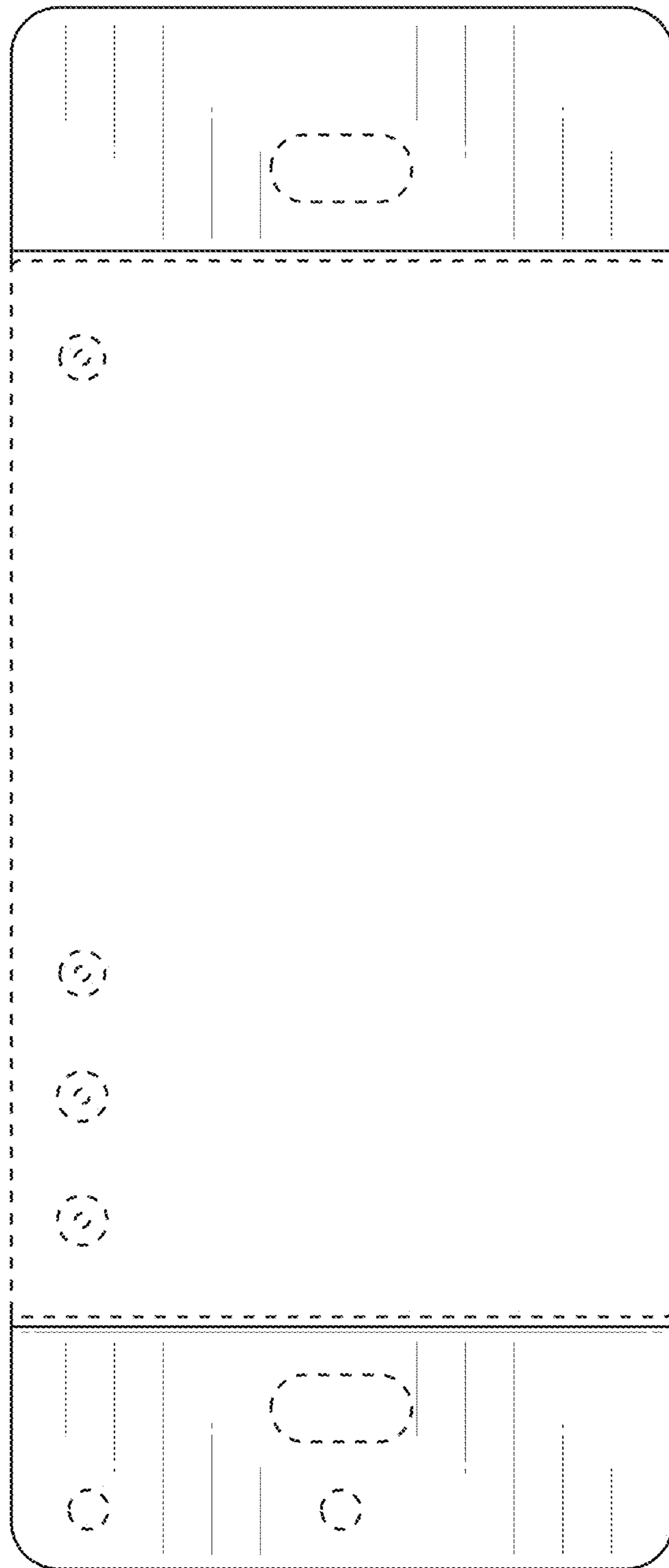
\* cited by examiner



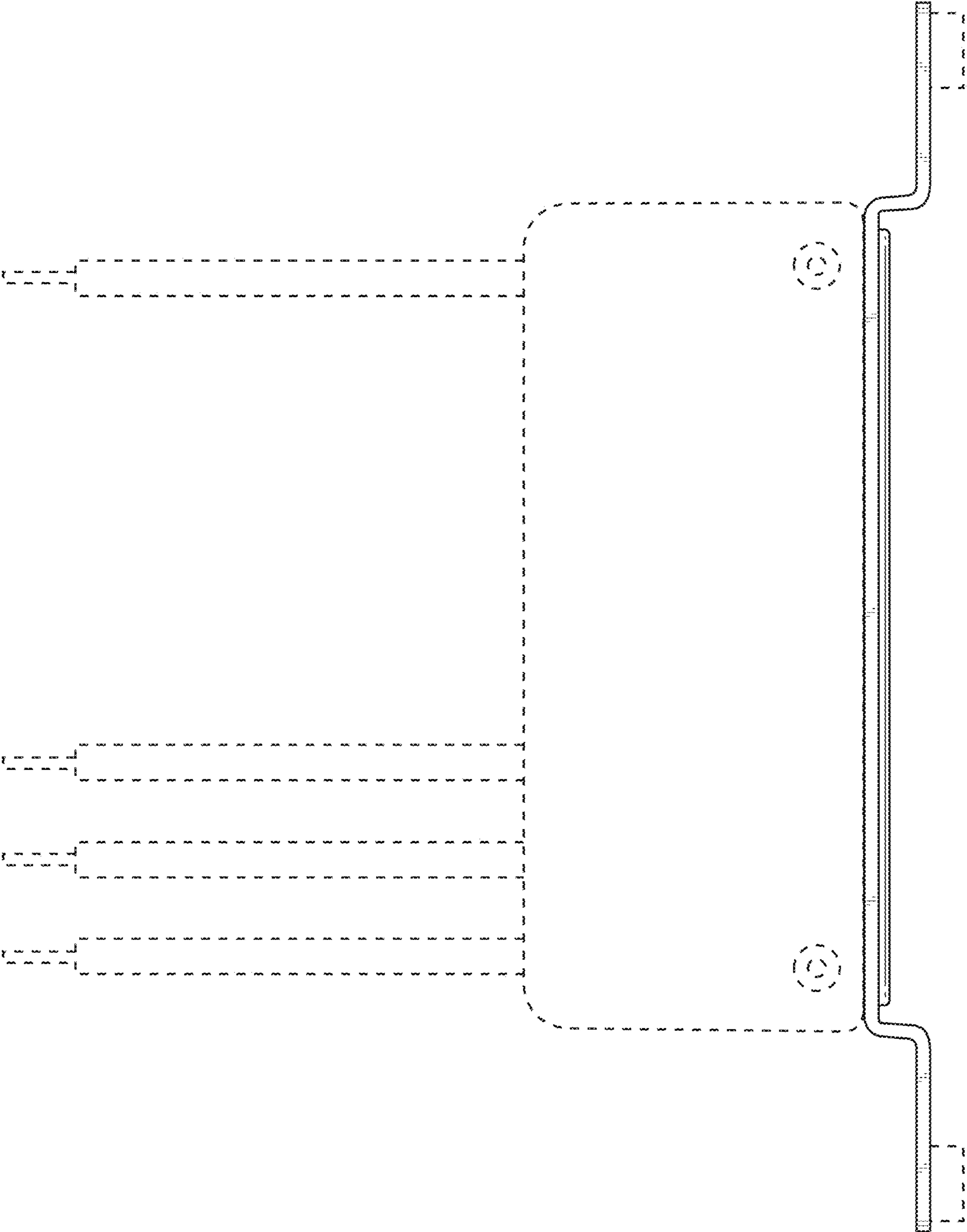
**FIG. 1**



**FIG. 2**

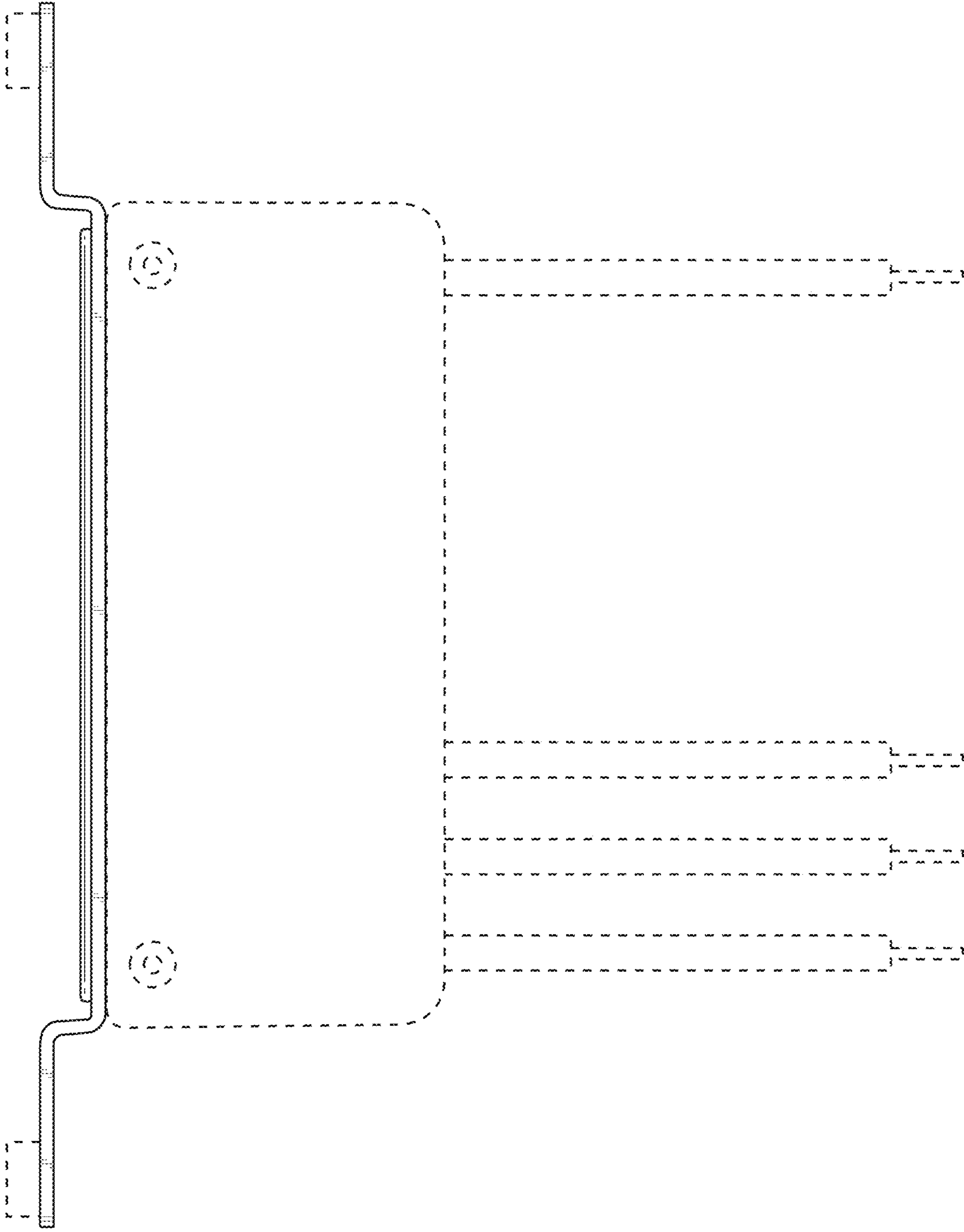


**FIG. 3**

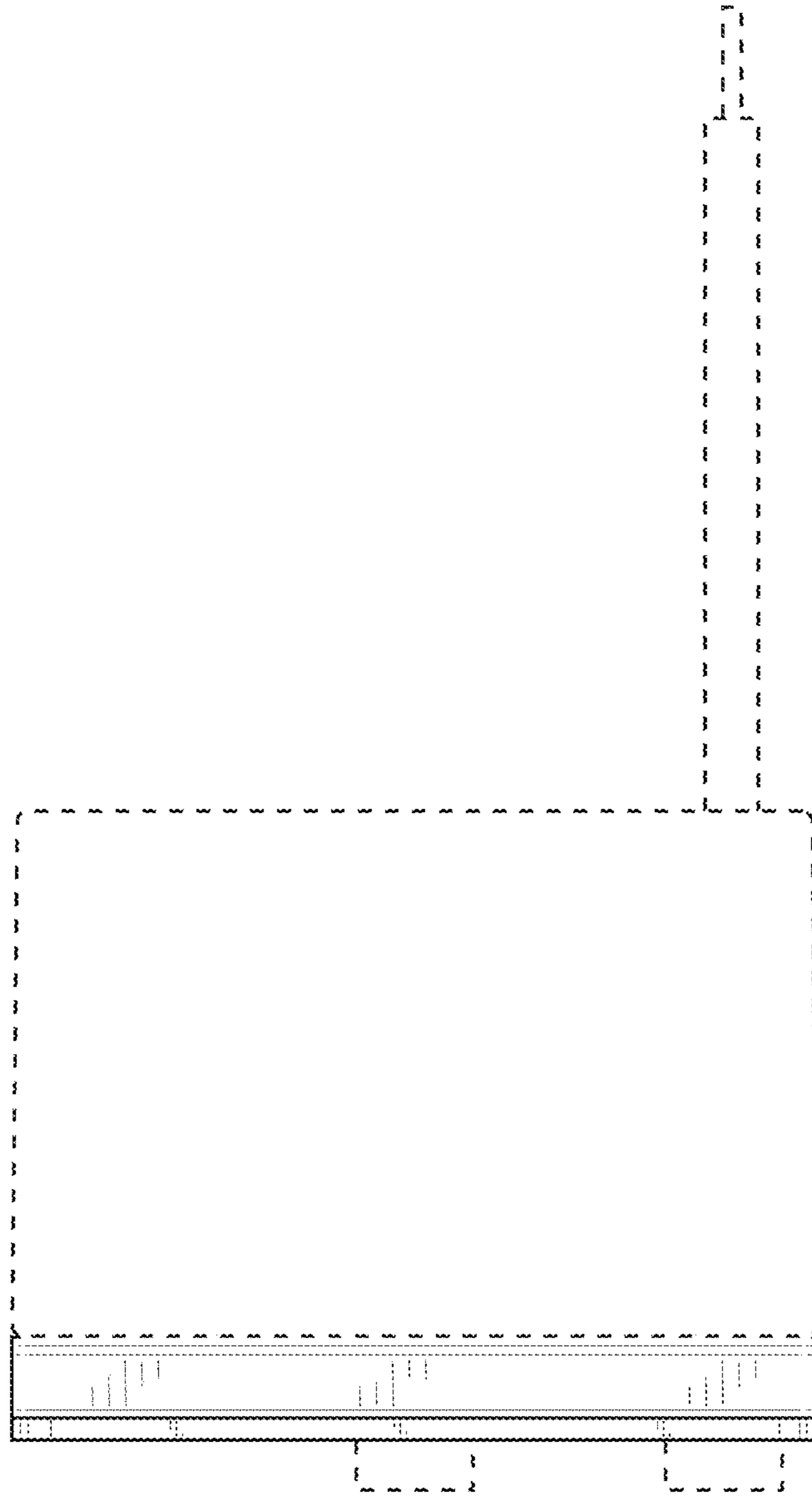


**FIG. 4**



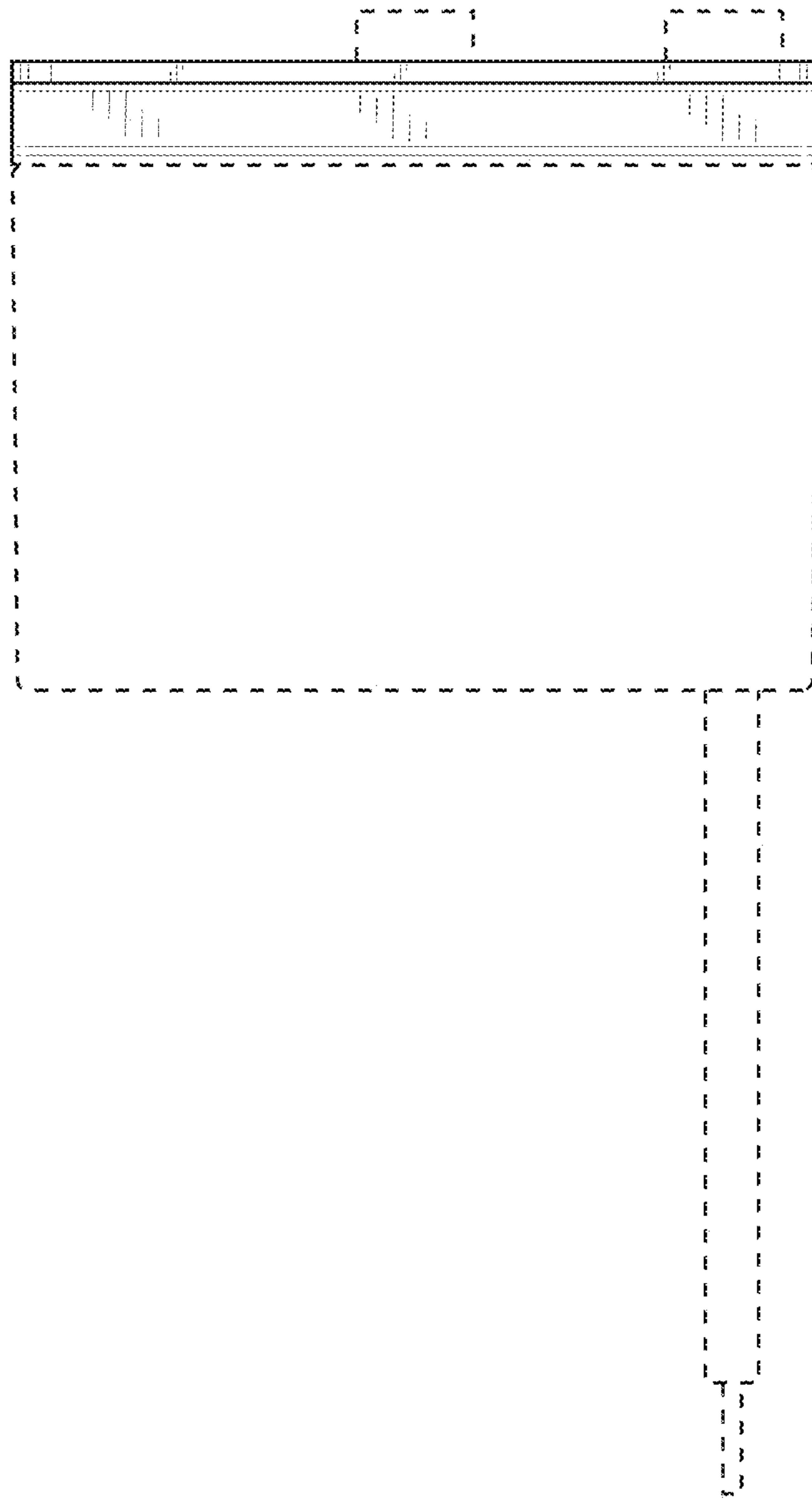


**FIG. 5**



**FIG. 6**





**FIG. 7**

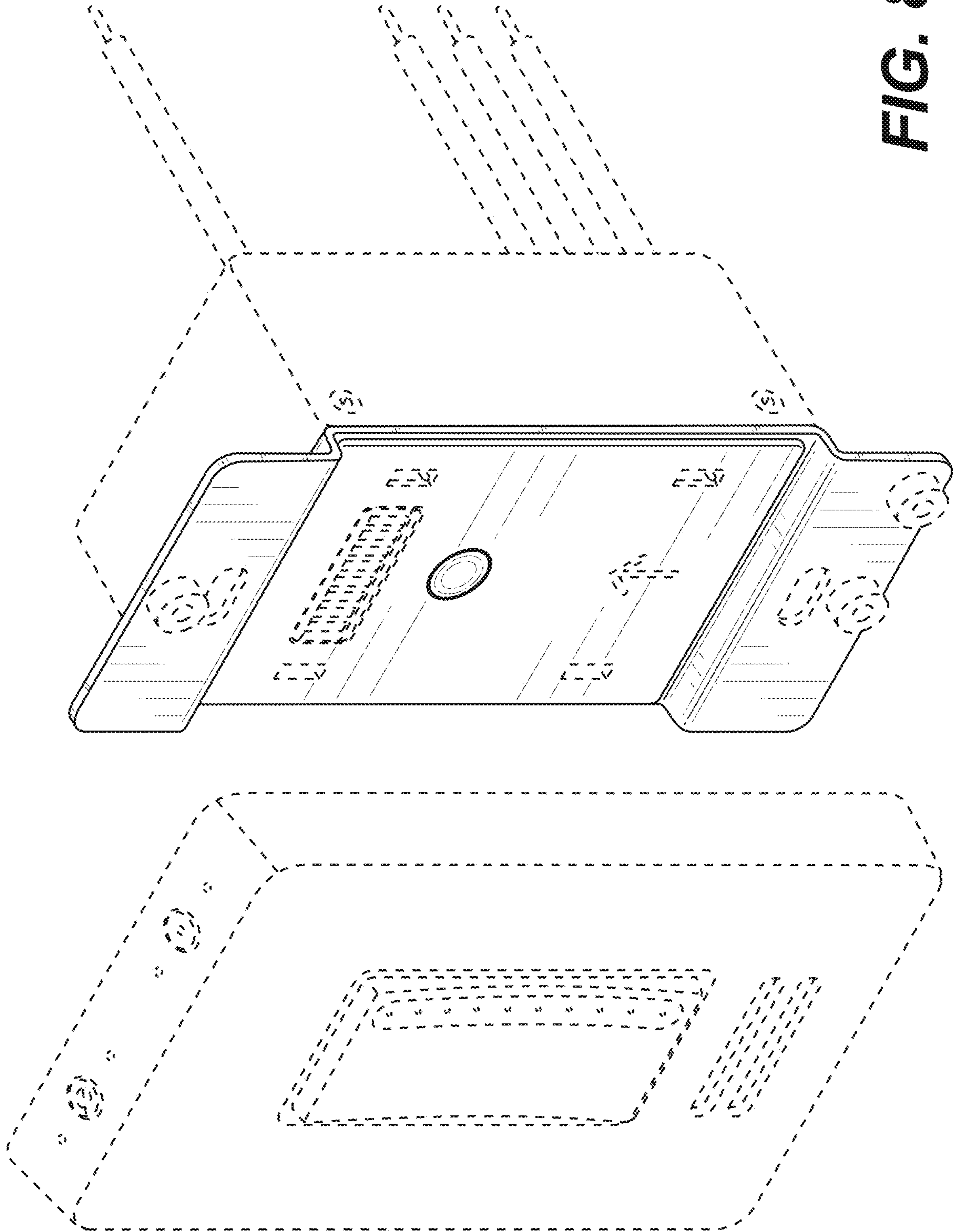


FIG. 8