



US00D925462S

(12) **United States Design Patent** (10) **Patent No.:** **US D925,462 S**
Akana et al. (45) **Date of Patent:** **** Jul. 20, 2021**

(54) **ADAPTER**

(71) Applicant: **Apple Inc.**, Cupertino, CA (US)

(72) Inventors: **Jody Akana**, San Francisco, CA (US); **Bartley K. Andre**, Palo Alto, CA (US); **Shota Aoyagi**, San Francisco, CA (US); **Anthony Michael Ashcroft**, San Francisco, CA (US); **Jeremy Bataillou**, San Francisco, CA (US); **Daniel J. Coster**, San Francisco, CA (US); **Daniele De Iuliis**, San Francisco, CA (US); **M. Evans Hankey**, San Francisco, CA (US); **Julian Hoenig**, San Francisco, CA (US); **Richard P. Howarth**, San Francisco, CA (US); **Jonathan P. Ive**, San Francisco, CA (US); **Duncan Robert Kerr**, San Francisco, CA (US); **Matthew Dean Rohrbach**, San Francisco, CA (US); **Peter Russell-Clarke**, San Francisco, CA (US); **Mikael Silvano**, San Francisco, CA (US); **Christopher J. Stringer**, Woodside, CA (US); **Eugene Antony Whang**, San Francisco, CA (US); **Rico Zörkendörfer**, San Francisco, CA (US)

(73) Assignee: **Apple Inc.**, Cupertino, CA (US)

(**) Term: **15 Years**

(21) Appl. No.: **29/755,258**

(22) Filed: **Oct. 19, 2020**

Related U.S. Application Data

(63) Continuation of application No. 29/700,558, filed on Aug. 2, 2019, now Pat. No. Des. 899,378, which is a (Continued)

(51) **LOC (13) Cl.** **13-03**

(52) **U.S. Cl.**
USPC **D13/147; D13/137.1**

(58) **Field of Classification Search**

USPC ... D13/147, 137.1–137.4, 138.1, 138.2, 110, D13/108, 144; D14/433

(Continued)

(56) **References Cited**

U.S. PATENT DOCUMENTS

D138,086 S 6/1944 Ludwig
D292,700 S 11/1987 Rauch

(Continued)

FOREIGN PATENT DOCUMENTS

WO DM 075738 5/2011

OTHER PUBLICATIONS

“Apple 5w USB Power Adapter” found by RMS on the internet at https://www.apple.com/sg_smb_5200/shop/product/MGMY3ZP/A/apple-5w-usb-power-adapter-folding-pins reference—Mar. 23, 2021.*

(Continued)

Primary Examiner — Rhea Shields

(74) *Attorney, Agent, or Firm* — Sterne, Kessler, Goldstein & Fox P.L.L.C.

(57) **CLAIM**

The ornamental design for an adapter, as shown and described.

DESCRIPTION

FIG. 1 is a front perspective view of an adapter in an open configuration showing the claimed design; FIG. 2 is a rear perspective view thereof; FIG. 3 is a front view thereof; FIG. 4 is a rear view thereof; FIG. 5 is a left side view thereof; FIG. 6 is a right side view thereof; FIG. 7 is a top view thereof; FIG. 8 is a bottom view thereof; FIG. 9 is a front perspective view of the adapter in a closed configuration showing the claimed design;

(Continued)

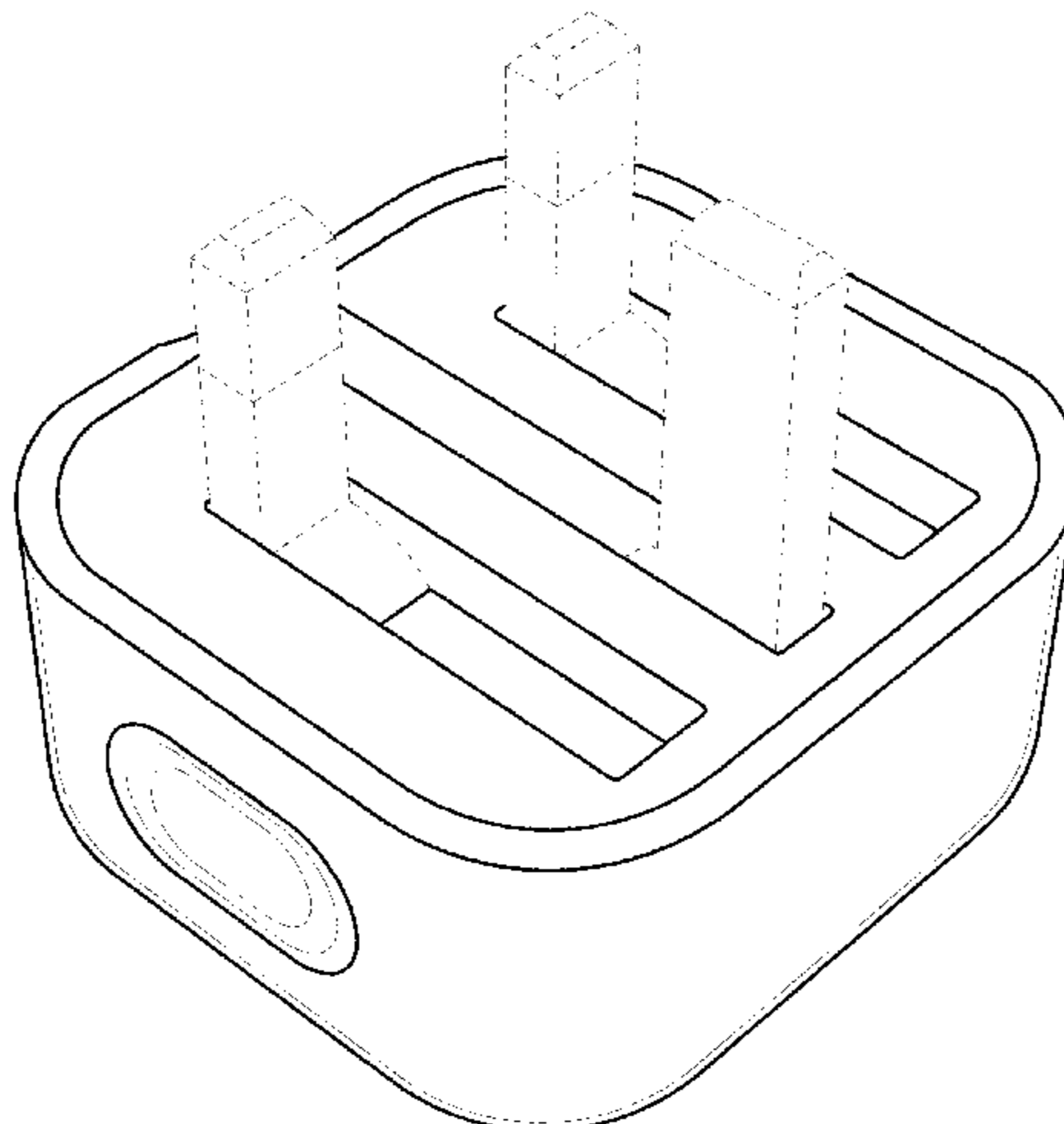


FIG. 10 is a rear perspective view thereof;
 FIG. 11 is a front view thereof;
 FIG. 12 is a rear view thereof;
 FIG. 13 is a left side view thereof;
 FIG. 14 is a right side view thereof;
 FIG. 15 is a top view thereof; and,
 FIG. 16 is a bottom view thereof.
 The broken lines in the figures show portions of the adapter that form no part of the claimed design.

1 Claim, 16 Drawing Sheets

Related U.S. Application Data

continuation of application No. 29/574,361, filed on Aug. 15, 2016, now Pat. No. Des. 860,952, which is a continuation of application No. 29/501,659, filed on Sep. 5, 2014, now Pat. No. Des. 763,794.

(58) **Field of Classification Search**
 CPC H01R 13/514; H01R 24/68; G06F 1/1632
 See application file for complete search history.

(56) **References Cited**

U.S. PATENT DOCUMENTS

4,997,381	A	3/1991	Oh
D375,080	S	10/1996	Sandor et al.
5,613,863	A	3/1997	Klaus et al.
D405,765	S	2/1999	Yu
5,967,807	A	10/1999	Wu
6,126,460	A	10/2000	Wu
D436,078	S	1/2001	Korte
6,275,002	B1	8/2001	Chen
6,358,076	B1	3/2002	Haag
6,641,412	B2	11/2003	Kitagawa et al.
D498,462	S *	11/2004	Andre D13/138.2
D503,679	S	4/2005	Andre et al.
D511,649	S	11/2005	Chen
7,001,196	B1	2/2006	Huang
D519,922	S *	5/2006	Andre D13/110
D521,936	S	5/2006	Novotney et al.
D522,463	S	6/2006	Novotney et al.
D526,648	S	8/2006	Andre et al.
D552,034	S	10/2007	Hobson et al.
D572,712	S	7/2008	Ledbetter et al.
D573,946	S	7/2008	Ledbetter et al.
D579,876	S	11/2008	Novotney et al.
D583,316	S	12/2008	Sade et al.
D587,192	S	2/2009	McGinley et al.
D595,223	S	6/2009	Yamamoto et al.
D595,224	S	6/2009	Seil et al.
D596,572	S	7/2009	Wu et al.
D601,500	S	10/2009	Green et al.
D601,501	S	10/2009	Kaibara et al.
D601,583	S	10/2009	Andre et al.
D602,430	S	10/2009	Green et al.
D610,994	S *	3/2010	Fahrendorff D13/138.1
D611,409	S	3/2010	Green et al.
D611,415	S	3/2010	Andre et al.
D617,275	S	6/2010	Fahrendorff et al.
D617,277	S	6/2010	Fahrendorff et al.
D623,136	S	9/2010	Andre et al.
7,794,251	B2	9/2010	Wen et al.
D642,524	S	8/2011	Fitch et al.
D643,807	S	8/2011	Jiang
D647,476	S	10/2011	Ciou
8,057,265	B2	11/2011	Youssefi Shams et al.

8,105,106	B1	1/2012	Stoddard
D653,615	S	2/2012	Au
8,113,855	B2	2/2012	Green et al.
D655,244	S	3/2012	Au
8,142,228	B1	3/2012	Wu
D661,649	S	6/2012	Andre et al.
D683,314	S	5/2013	Andre et al.
D693,767	S	11/2013	Zaslaysky et al.
D702,633	S	4/2014	Andre et al.
D705,736	S	5/2014	Zaslaysky et al.
D711,823	S	8/2014	Akana et al.
D711,824	S	8/2014	Matsuoka et al.
D712,829	S	9/2014	Huang
D719,092	S	12/2014	Huang
D721,037	S	1/2015	Kelly
D732,472	S	6/2015	Laffon et al.
D734,260	S	7/2015	Cepress et al.
D735,669	S	8/2015	Kelly
D738,308	S	9/2015	Sumwalt et al.
D740,751	S	10/2015	Akana et al.
D746,773	S *	1/2016	Andre D13/110
D750,571	S	3/2016	Auguste et al.
D751,039	S	3/2016	Ptok et al.
D753,661	S	4/2016	Daniel
D762,173	S	7/2016	Solomon et al.
D763,794	S *	8/2016	Akana D13/137.1
9,537,276	B1	1/2017	Cai et al.
D778,913	S *	2/2017	Huang D14/433
D778,914	S	2/2017	Huang et al.
D788,709	S	6/2017	Yeo
D790,465	S	6/2017	Zhao
D798,233	S *	9/2017	Huang D13/108
D799,422	S	10/2017	Chen
D804,412	S	12/2017	Huang et al.
D807,822	S	1/2018	Senff
D808,903	S	1/2018	Koenig
9,882,313	B2	1/2018	Steinbuchel, IV et al.
D811,329	S	2/2018	Roberts et al.
D819,566	S *	6/2018	Hung D13/110
D820,209	S *	6/2018	Lemelson D13/110
D826,858	S	8/2018	Little
D826,859	S	8/2018	Little
D856,934	S *	8/2019	Levy D13/137.2
D860,952	S *	9/2019	Akana D13/147
D864,863	S	10/2019	Lee
D867,285	S	11/2019	Akana et al.
D867,286	S	11/2019	Akana et al.
D867,287	S *	11/2019	Akana D13/110
D867,295	S	11/2019	Shaopeng
D867,989	S	11/2019	Akana et al.
10,483,694	B2	11/2019	Crowder
D874,400	S	2/2020	Akana et al.
D874,403	S	2/2020	Canizares et al.
D879,714	S	3/2020	Zhang et al.
D899,378	S *	10/2020	Akana D13/147
D902,869	S *	11/2020	Zhang D13/147
D903,589	S *	12/2020	Akana D13/110
D913,948	S *	3/2021	Miller D13/144
2009/0289596	A1	11/2009	McGinley et al.
2010/0117597	A1	5/2010	Wang
2012/0077361	A1 *	3/2012	Youssefi-Shams H01R 13/514 439/172
2014/0370742	A1 *	12/2014	Andre G06F 1/1632 439/501
2015/0364882	A1 *	12/2015	Roy H01R 24/68 439/131

OTHER PUBLICATIONS

“USB Charger for iPhone 3G—Original”, accessed at <http://ucables.com/ref/USB-CHARGER-IPHONE-3G-R73467>, added Jun. 12, 2008.

* cited by examiner

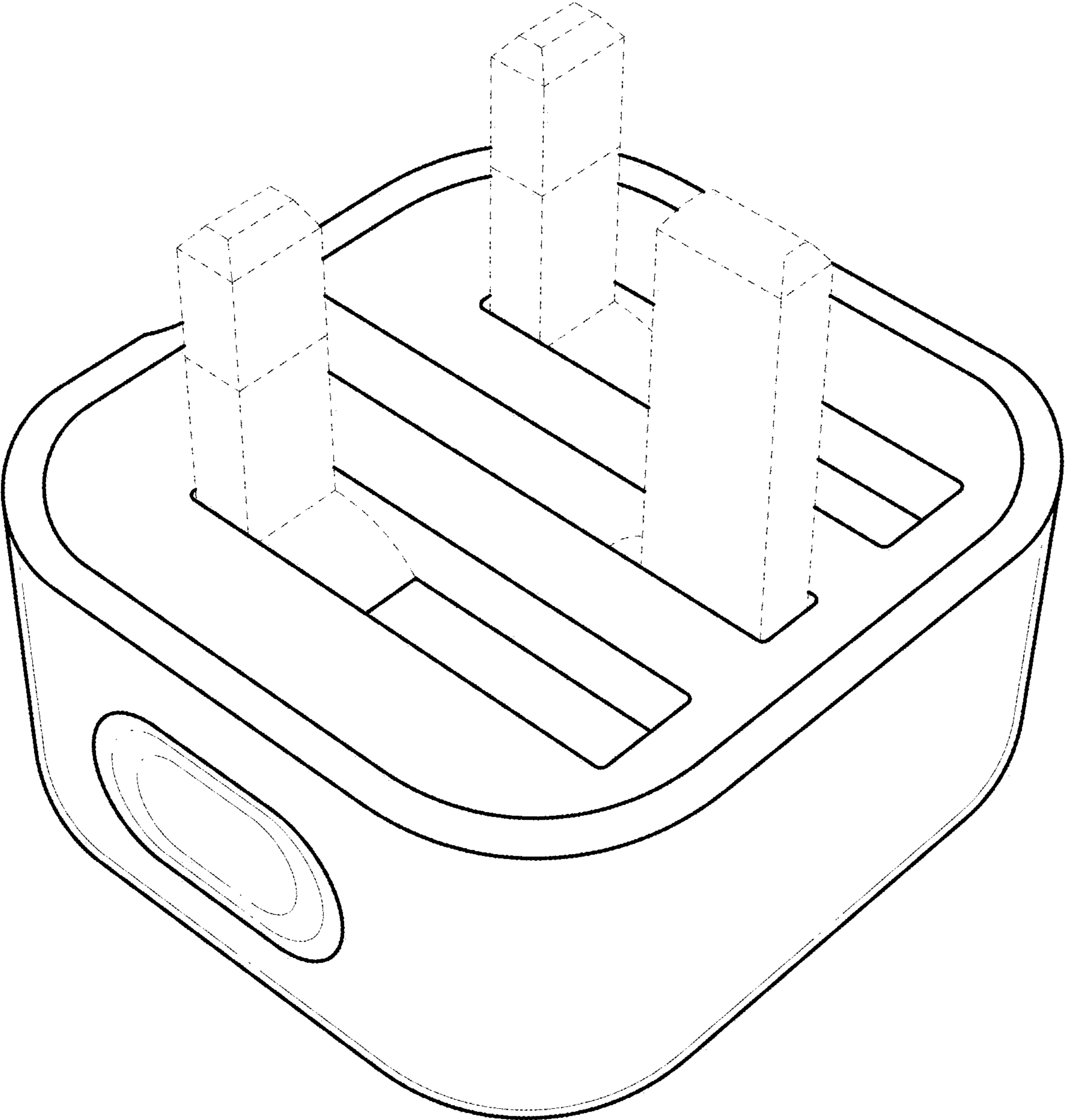


FIG. 1

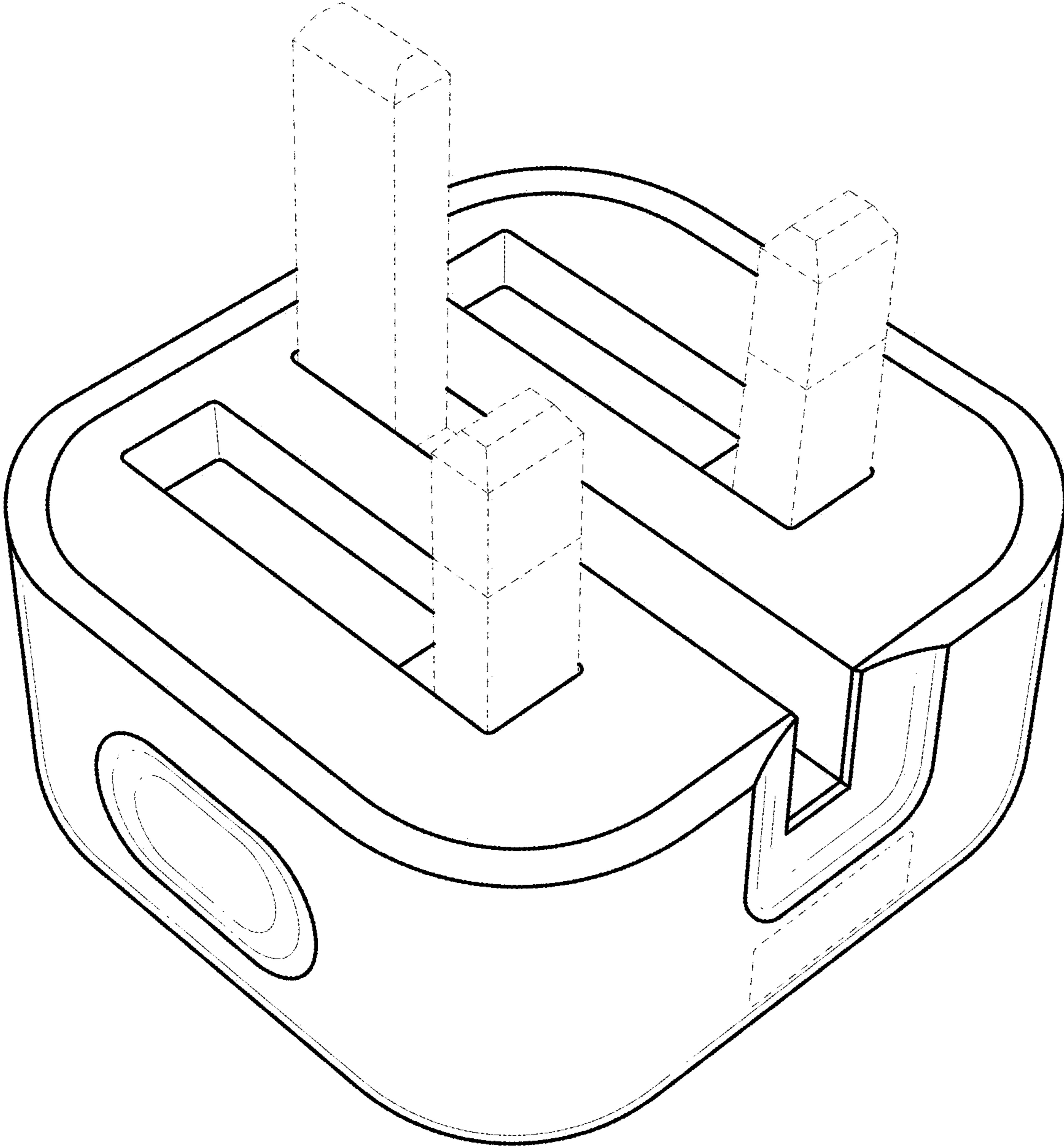


FIG. 2

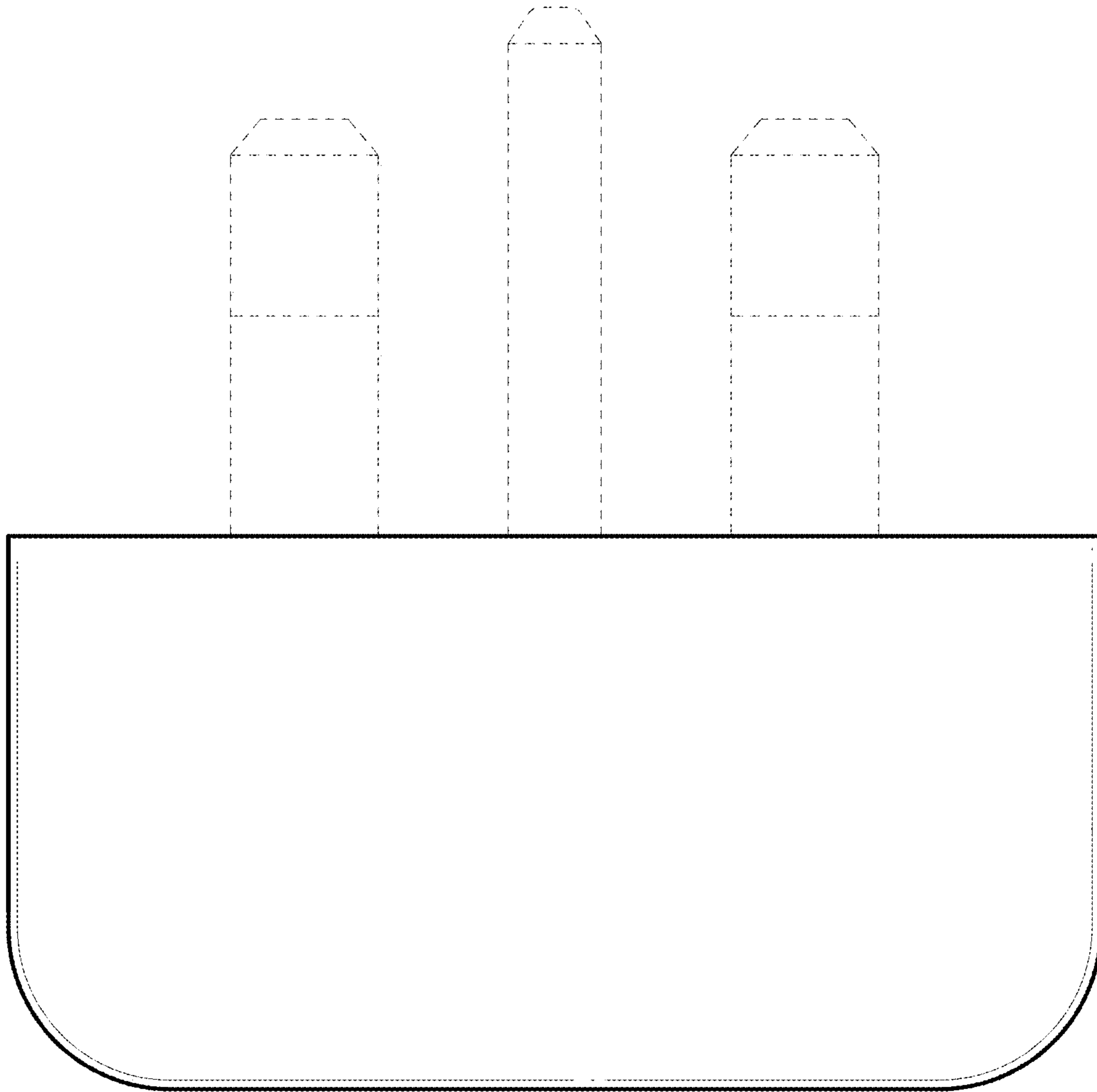


FIG. 3

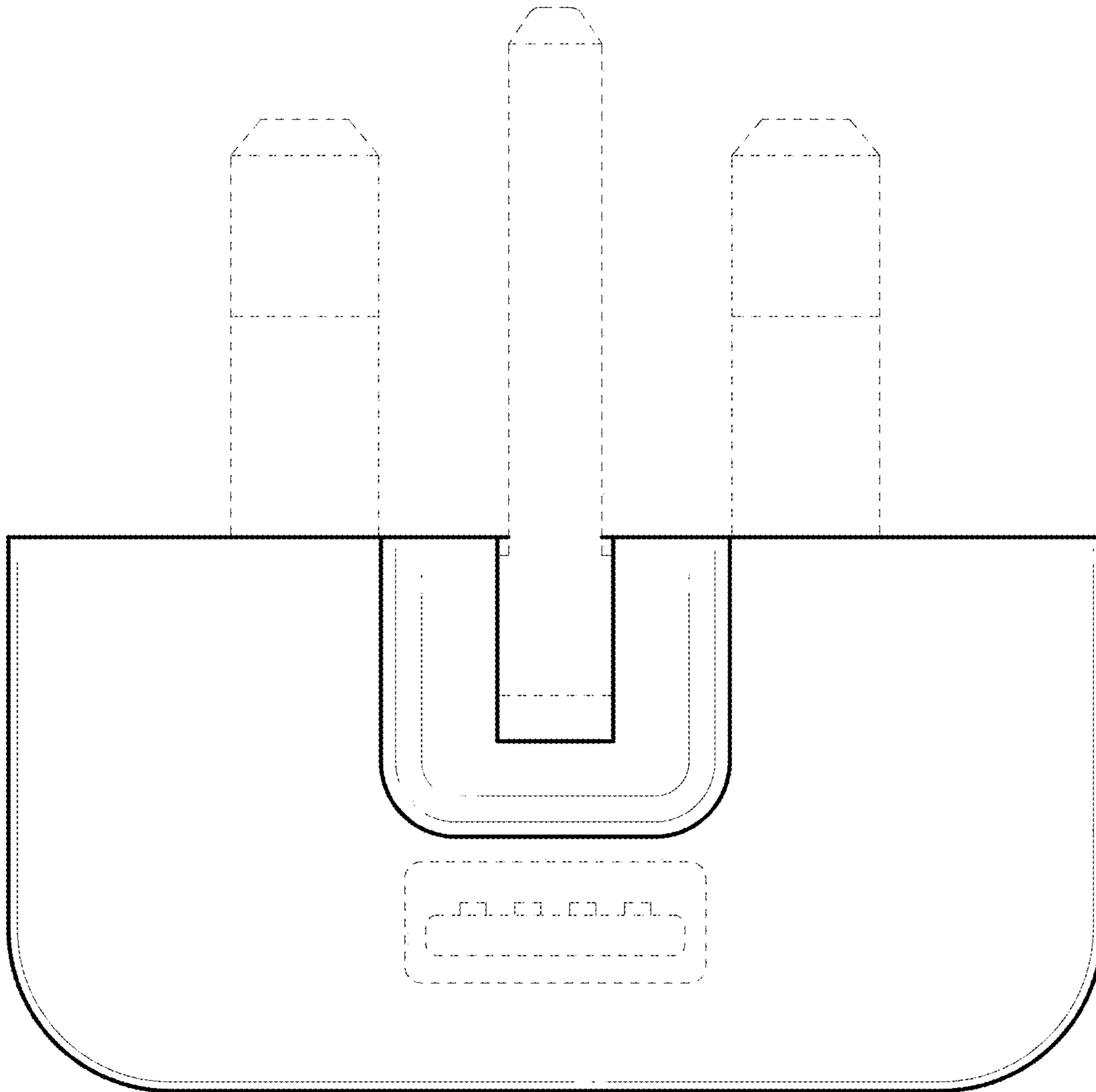


FIG. 4

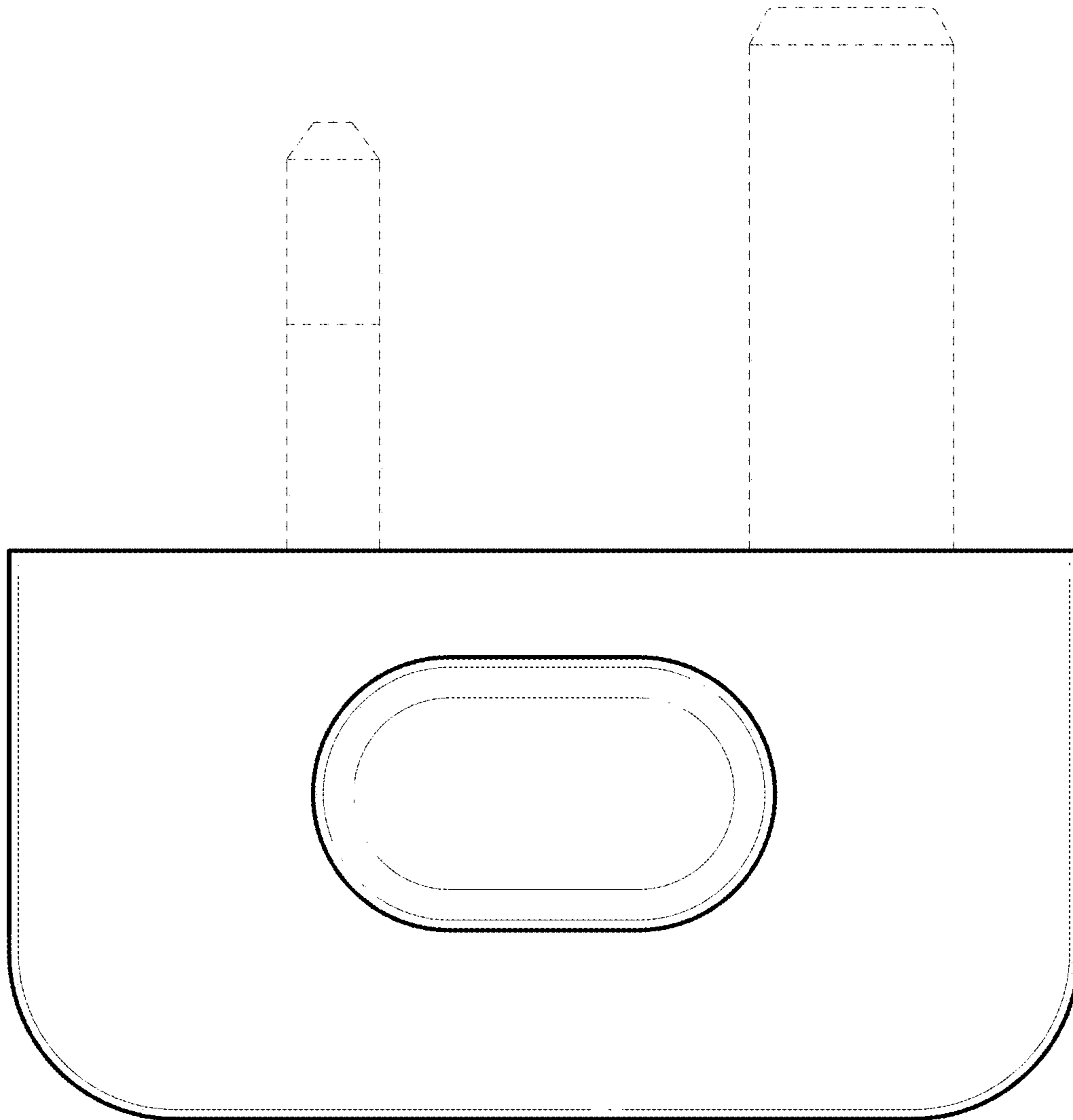


FIG. 5

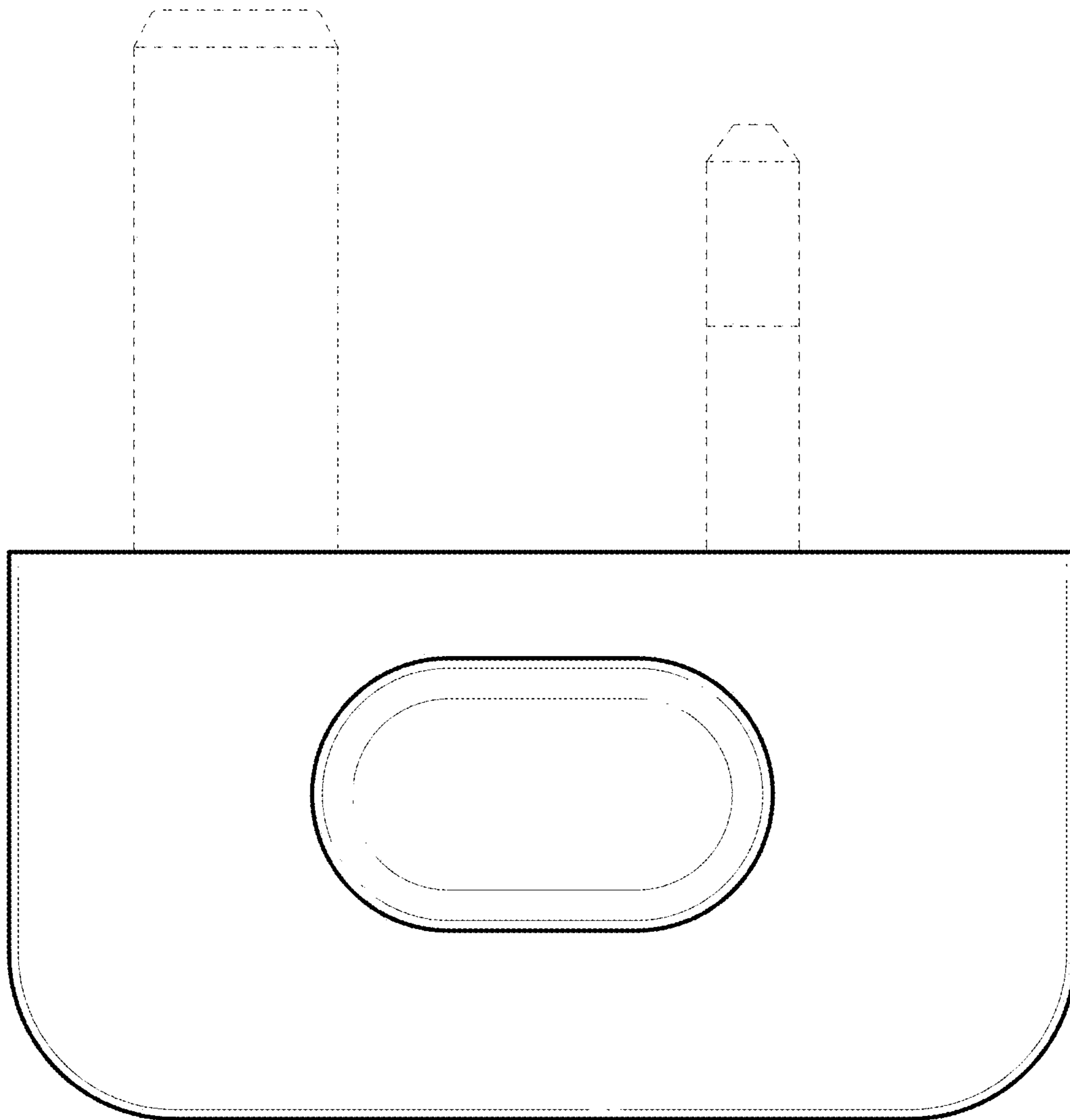


FIG. 6

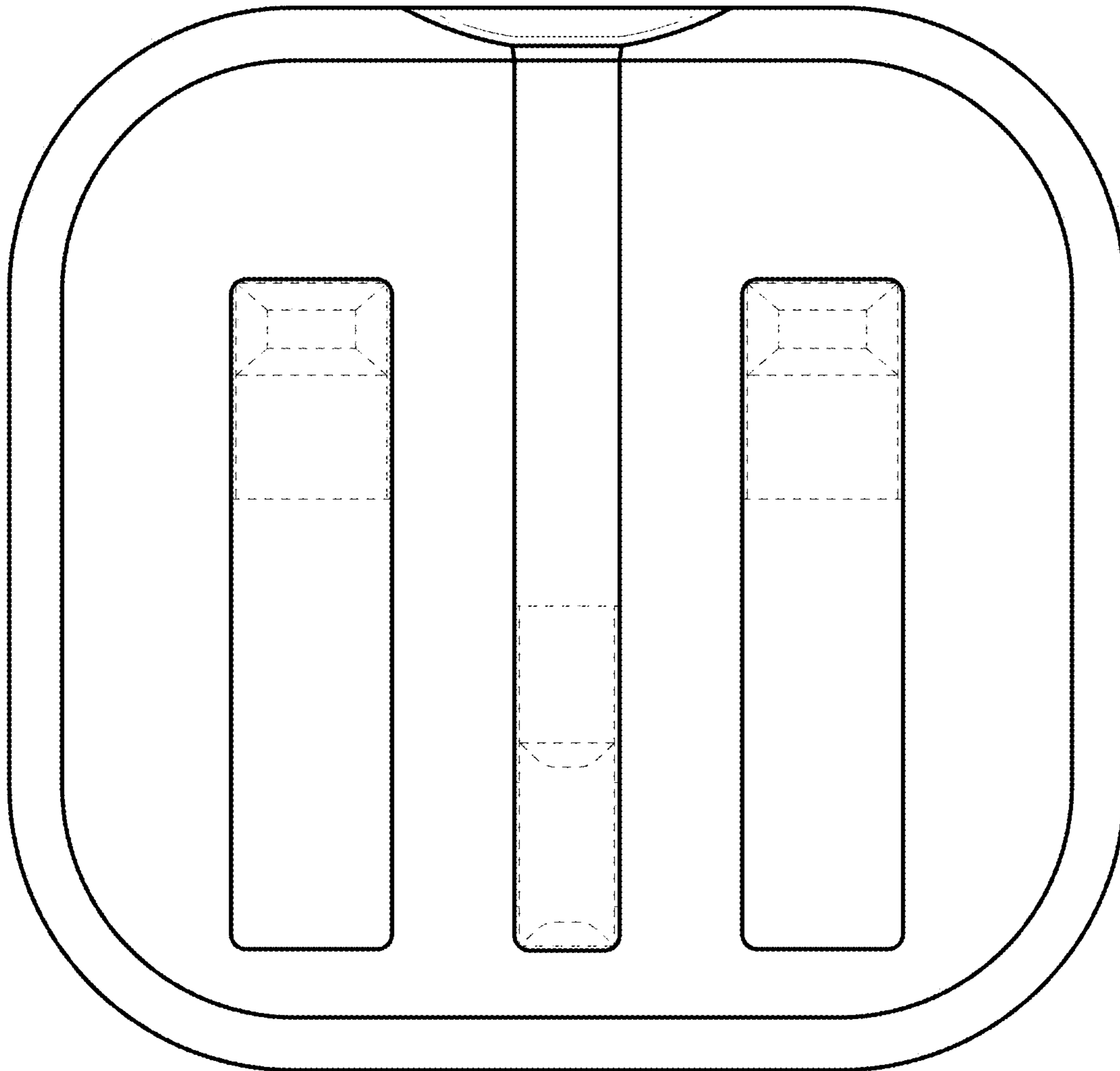


FIG. 7

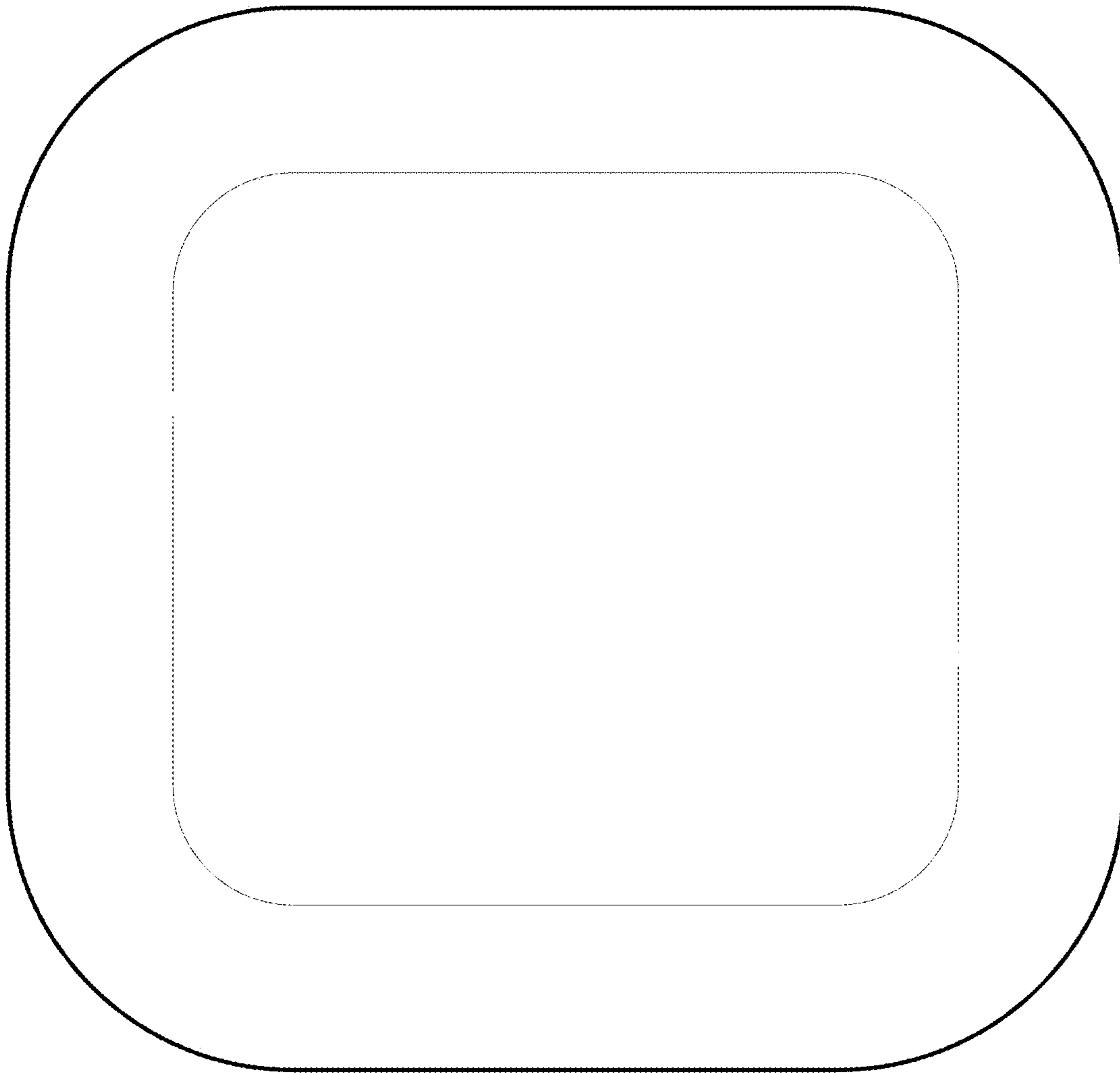


FIG. 8

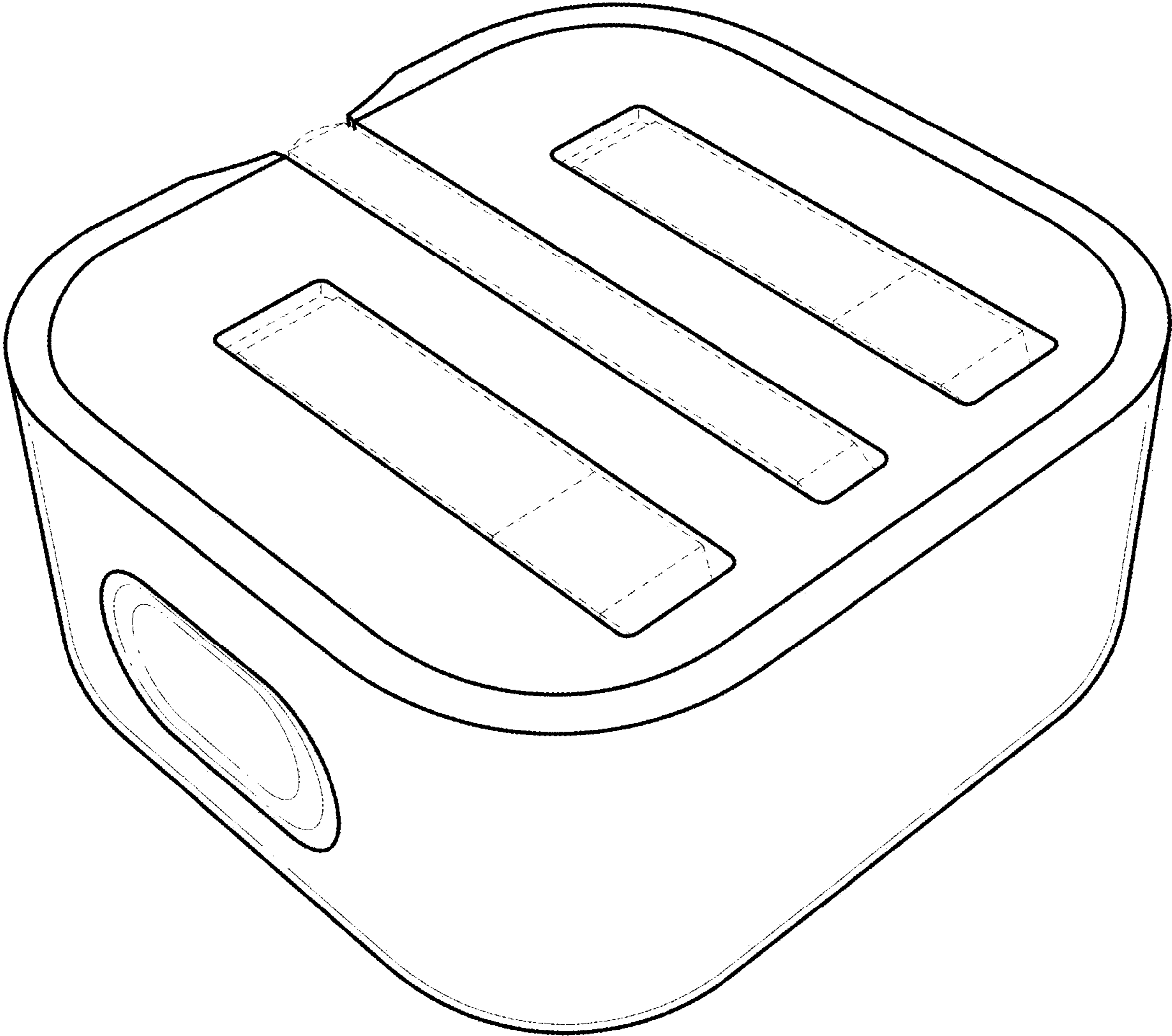


FIG. 9

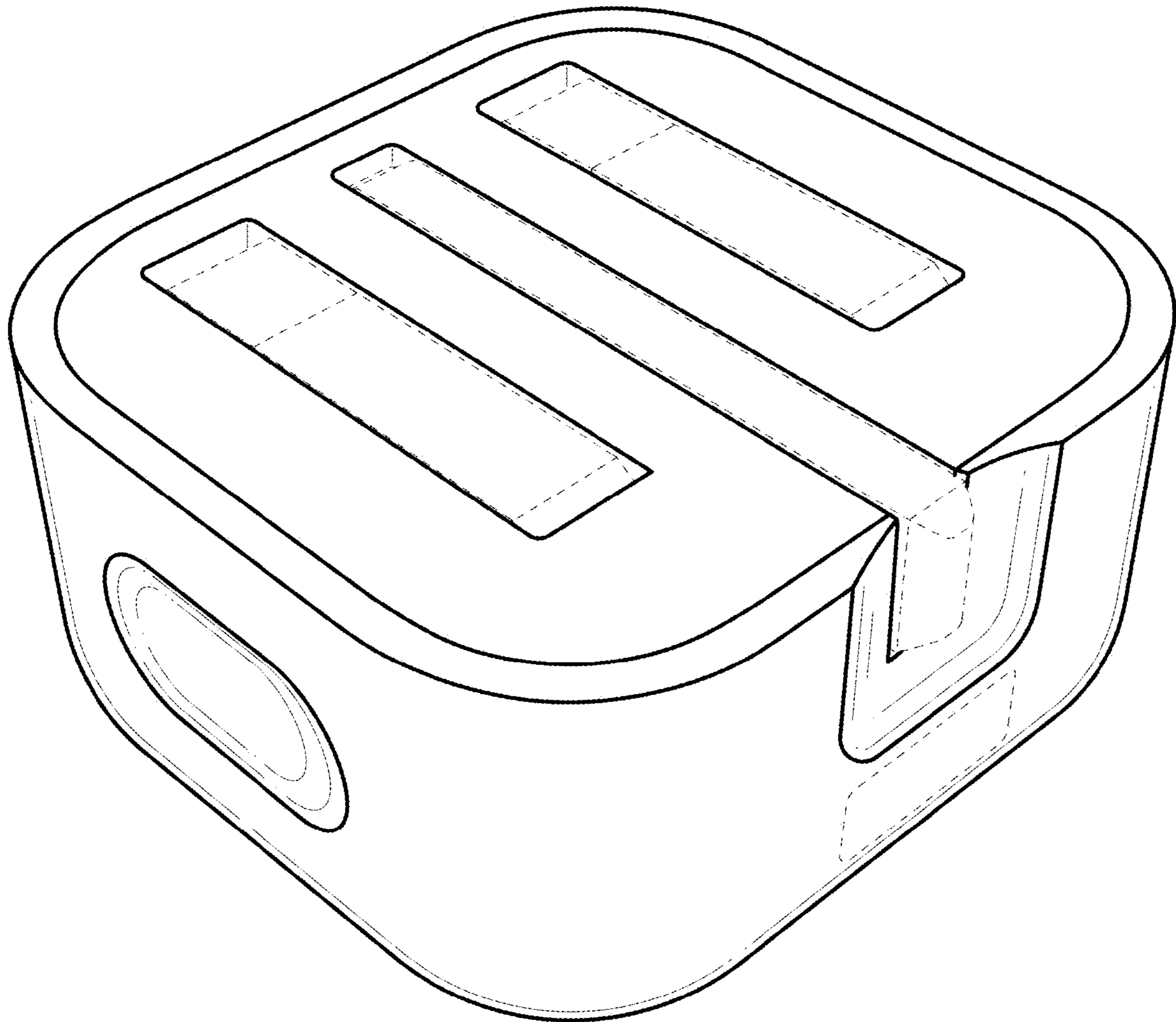


FIG. 10

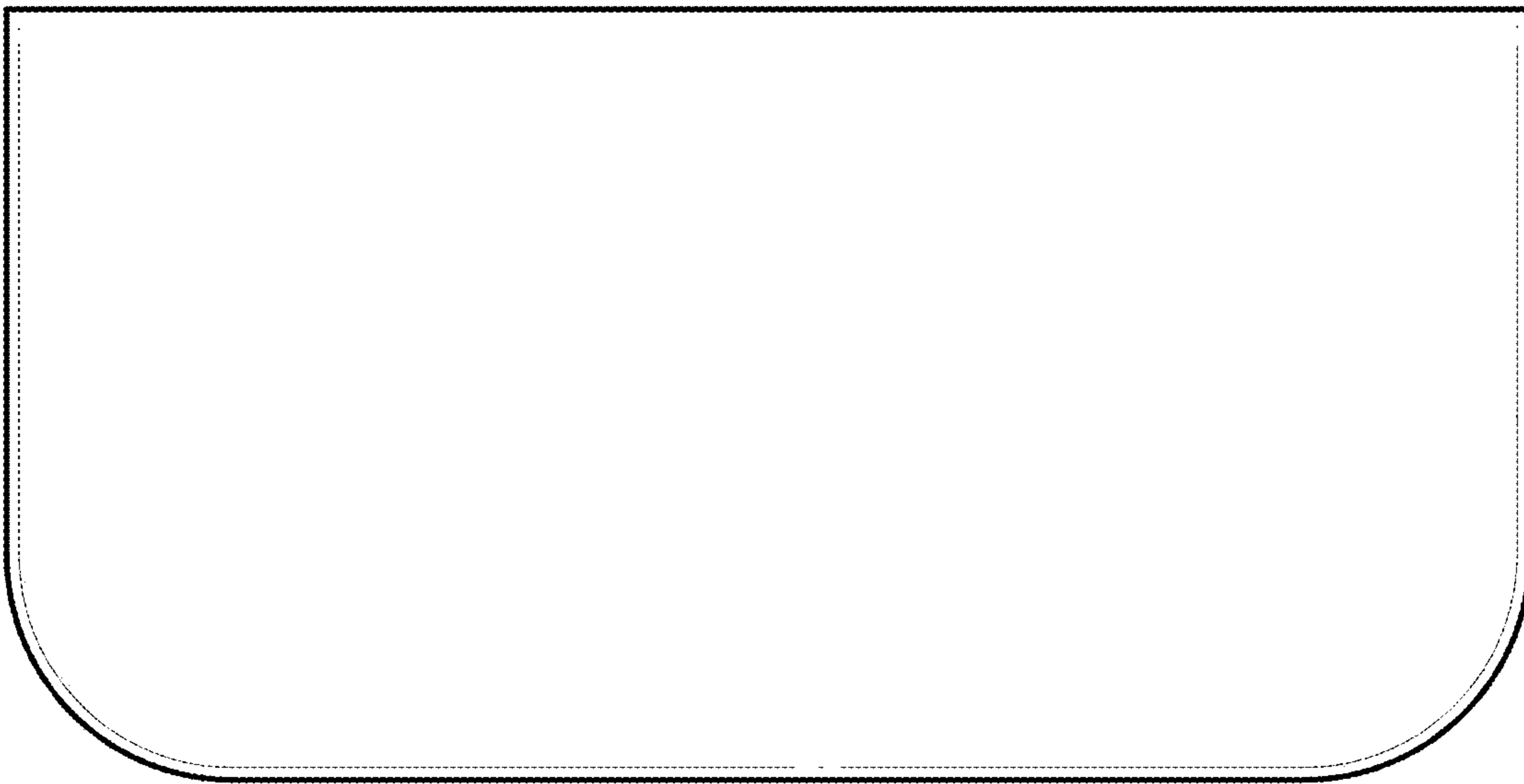


FIG. 11

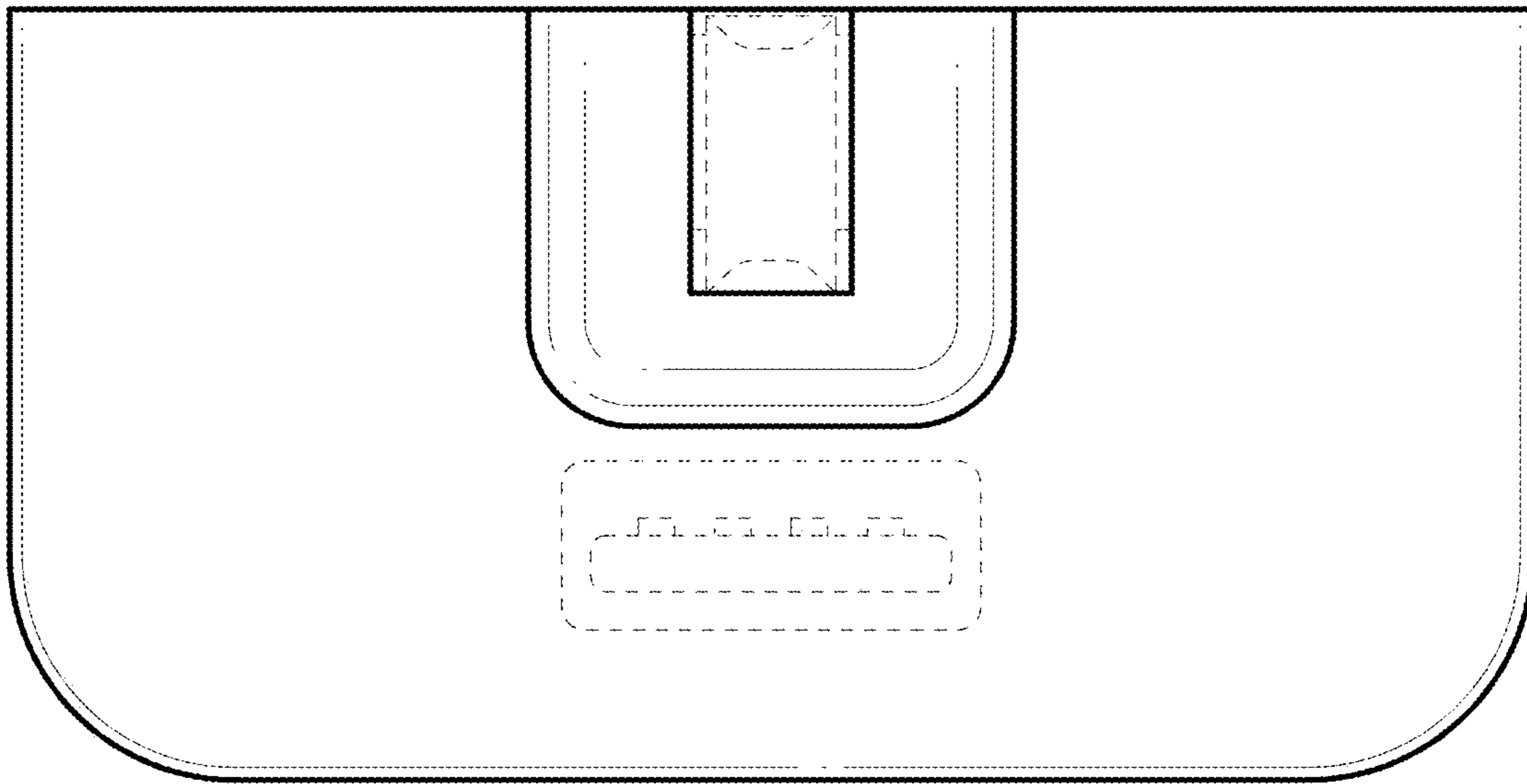


FIG. 12

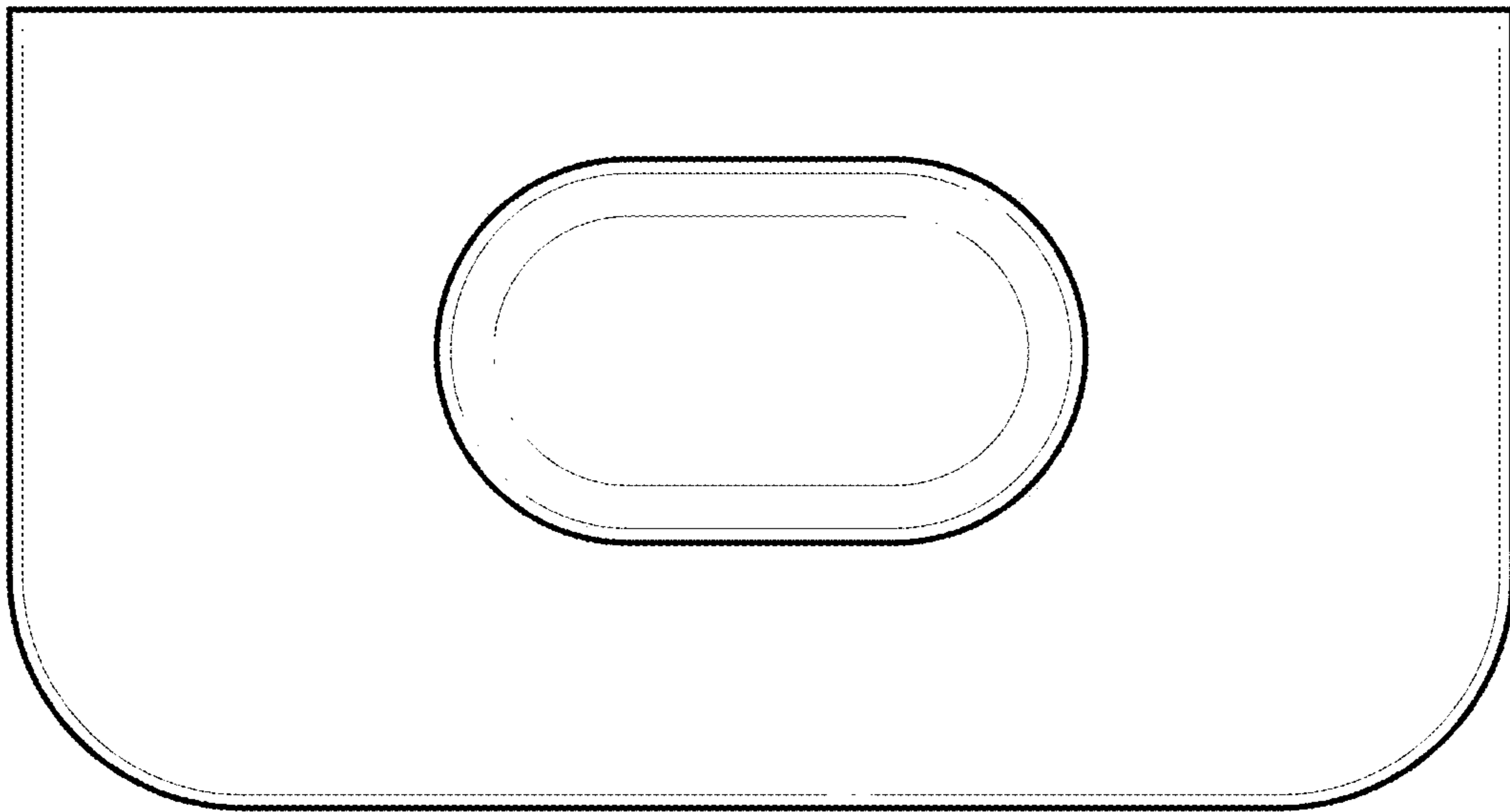


FIG. 13

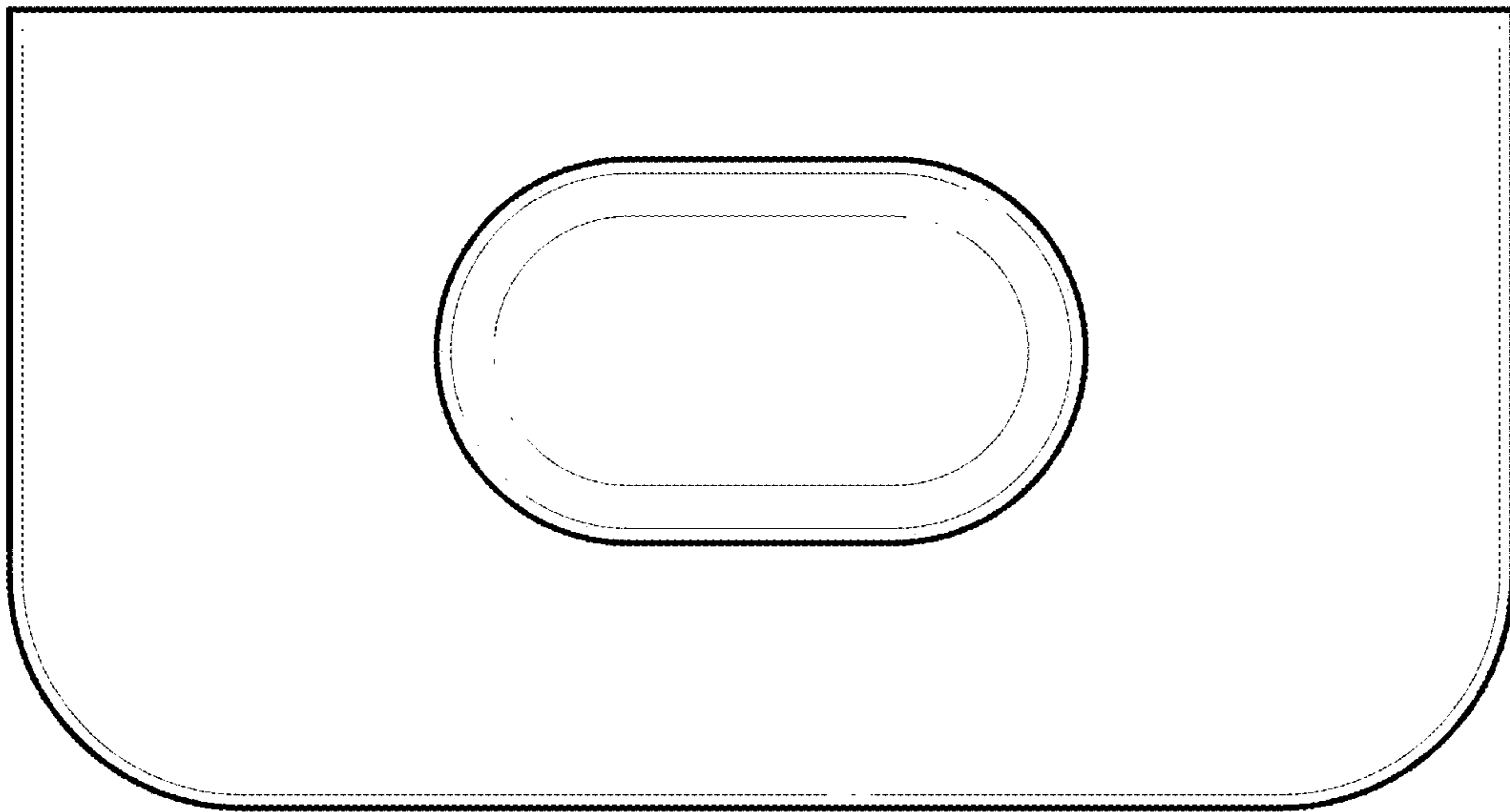


FIG. 14

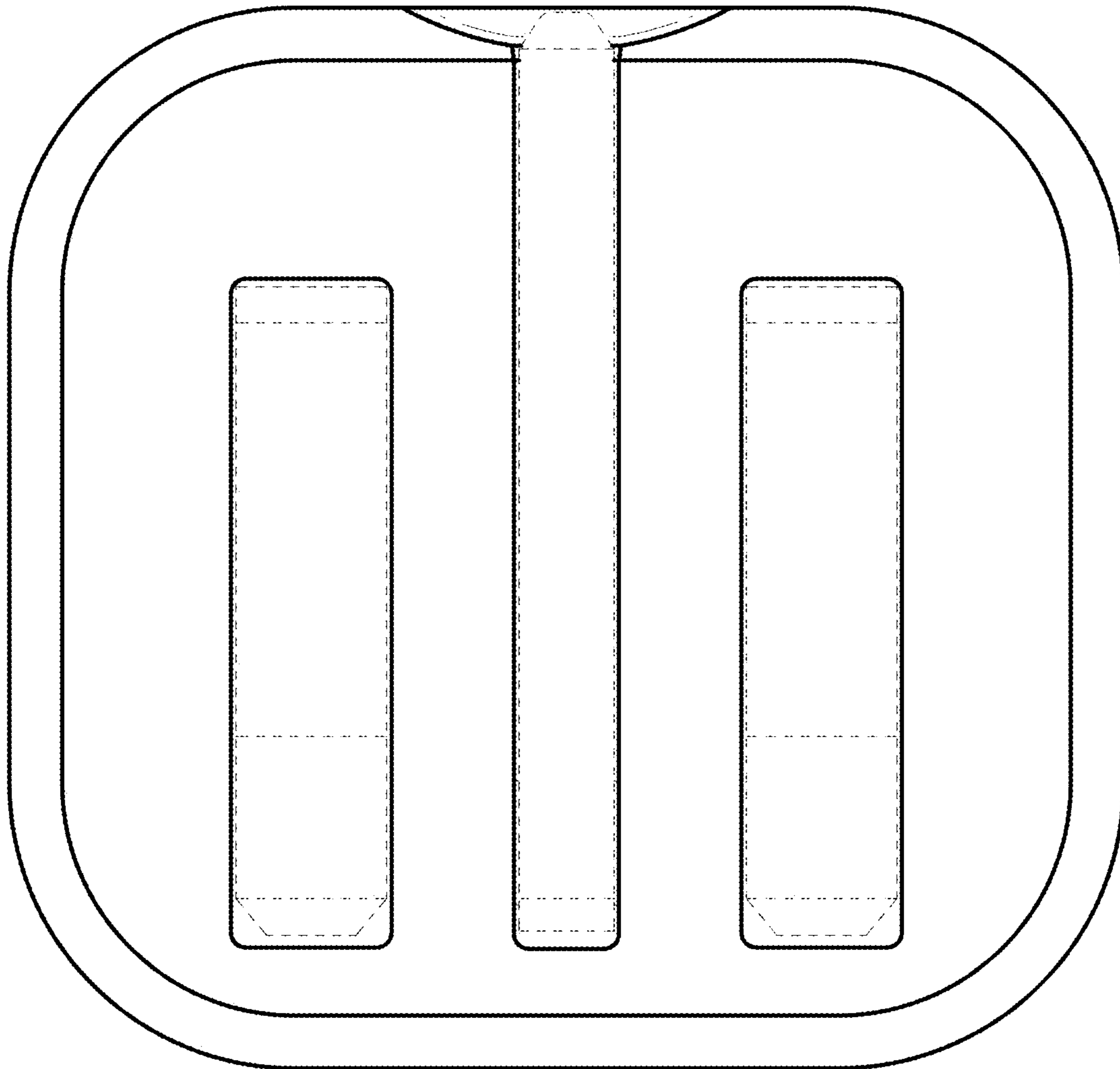


FIG. 15

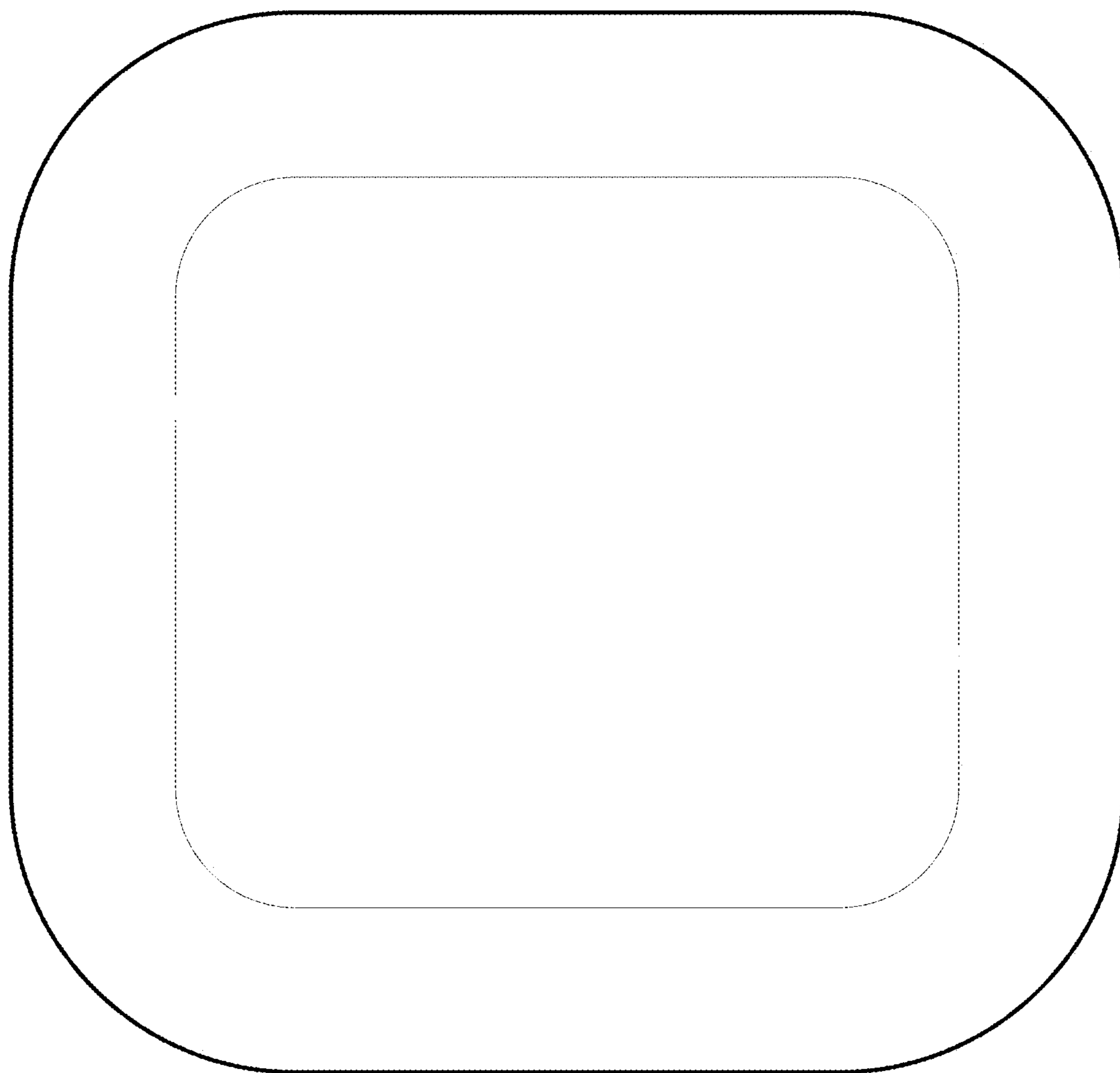


FIG. 16