



US00D925459S

(12) **United States Design Patent** (10) **Patent No.:** **US D925,459 S**
Aromin et al. (45) **Date of Patent:** **** Jul. 20, 2021**

(54) **LCDI CONNECTOR**
(71) Applicant: **Tower Manufacturing Corporation**,
Providence, RI (US)
(72) Inventors: **Victor V Aromin**, West Warwick, RI
(US); **Louis J. Shatkin**, Warwick, RI
(US)
(73) Assignee: **Tower Manufacturing Corp.**,
Providence, RI (US)

D410,629 S * 6/1999 Bandura D13/147
D494,141 S * 8/2004 Spink, Jr. D13/147
D524,742 S * 7/2006 Kumagai D13/147
7,214,086 B1 * 5/2007 Hsieh H01R 13/53
439/352
D610,996 S * 3/2010 Sakamoto D13/147
D879,043 S * 3/2020 Hu D13/133
D879,722 S * 3/2020 Pietschmann D13/147
D894,127 S * 8/2020 Somanathapura Ramanna
D13/133
2001/0044231 A1 * 11/2001 Bogdan H01R 13/6593
439/411
2016/0111816 A1 * 4/2016 Walker H01R 13/26
417/423.7

(**) Term: **15 Years**

(Continued)

(21) Appl. No.: **29/764,651**

OTHER PUBLICATIONS

(22) Filed: **Dec. 31, 2020**

Gree ETAC2 LCDI Power Cord 208-230V 15 AMP NEMA6-15P,
dated Oct. 28, 2020, [online], [site visited Jan. 28, 2021]. Available
from Internet, URL: [https://comfortup.com/products/gree-etac2-
power-cord-15amp](https://comfortup.com/products/gree-etac2-power-cord-15amp) (Year: 2020).*

(51) **LOC (13) Cl.** **13-03**

(52) **U.S. Cl.**
USPC **D13/146**

(Continued)

(58) **Field of Classification Search**
USPC D13/107, 118-120, 123, 133, 146-149,
D13/151, 154, 156, 158-160, 173, 184,
D13/199, 108, 110, 137.2, 138.1, 138.2,
D13/139.6

Primary Examiner — Shawn T Gingrich

CPC H01H 75/00; H01H 83/06; H01R 13/648;
H01R 13/66; H01R 13/68; H01R 24/00;
H01R 29/00; H01R 31/06; H01R 13/00;
H01R 13/11; H01R 13/627; H01R
13/642; H01R 13/70; H02H 1/00; H02H
3/00; H02H 3/16; H02H 7/22; H04N
7/14; H04M 11/02; G01R 31/02

(57) **CLAIM**

The ornamental design for a LCDI connector, substantially
as shown and described.

See application file for complete search history.

DESCRIPTION

FIG. 1 is a top perspective view of the present embodiment;
FIG. 2 is a left side view thereof;
FIG. 3 is a right-side view thereof;
FIG. 4 is a front view thereof;
FIG. 5 is a rear view thereof;
FIG. 6 is a top view thereof; and,
FIG. 7 is a bottom view thereof.

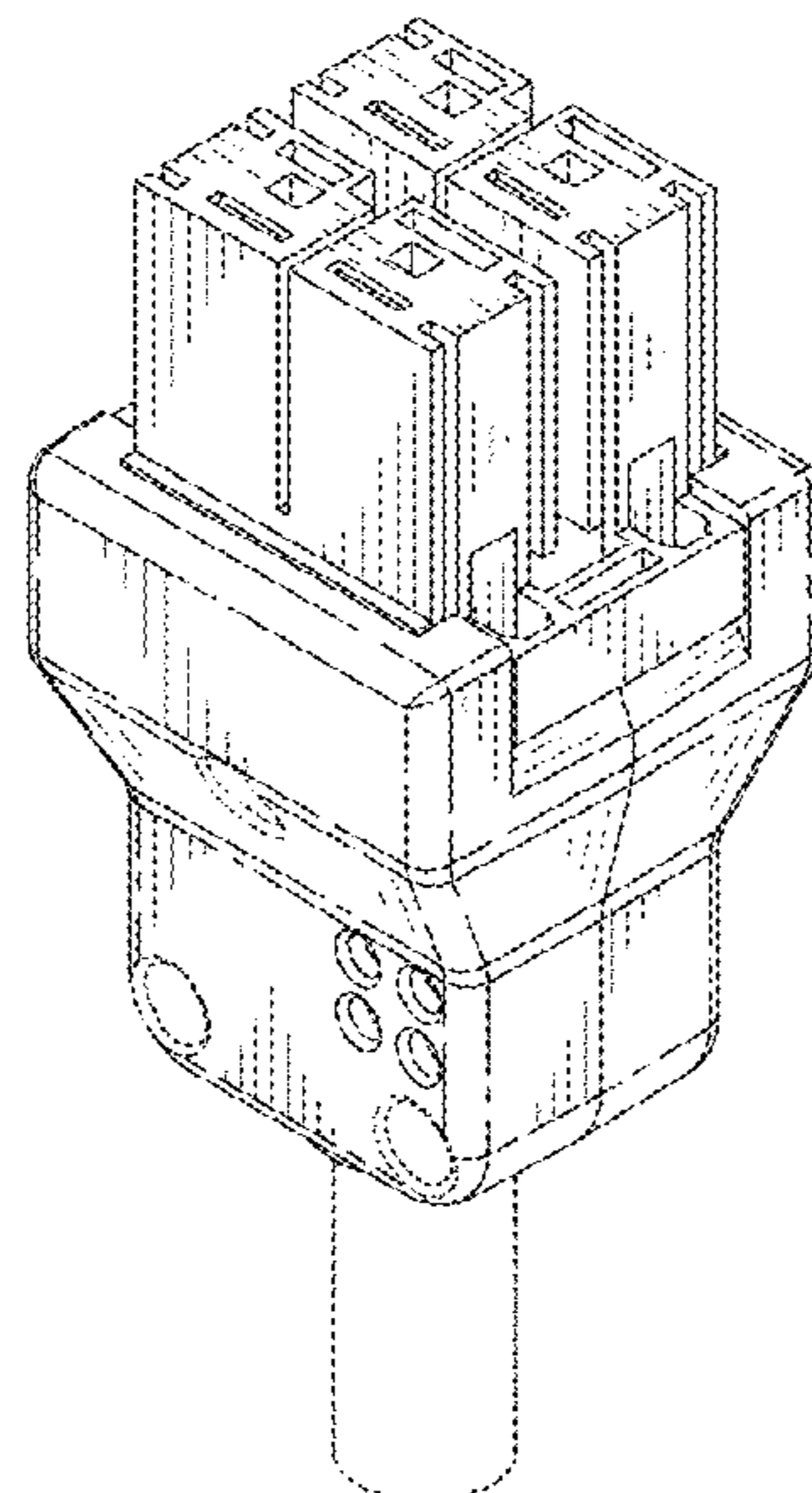
The broken lines in the drawings represent portions of the
LCDI connector that form no part of the claimed design.

(56) **References Cited**

U.S. PATENT DOCUMENTS

4,422,706 A * 12/1983 Neuhouser H01R 13/516
439/465
D333,653 S * 3/1993 Yamanashi D13/147
D366,646 S * 1/1996 Carr D13/146

1 Claim, 7 Drawing Sheets



(56)

References Cited

U.S. PATENT DOCUMENTS

2016/0336669 A1* 11/2016 Li H01R 13/114

OTHER PUBLICATIONS

Friedrich PXPC23015A LCDI 230 Volt 15 Amp Cord, dated Sep. 24, 2020, [online], [site visited Jan. 28, 2021]. Available from Internet, URL: <https://www.totalhomesupply.com/p/friedrich-pxpc23015a-lcdi-230-volt-15-amp-cord-for-friedrich-ptac-air-conditioners-for-2-5-kw-heat> (Year: 2020).*

* cited by examiner

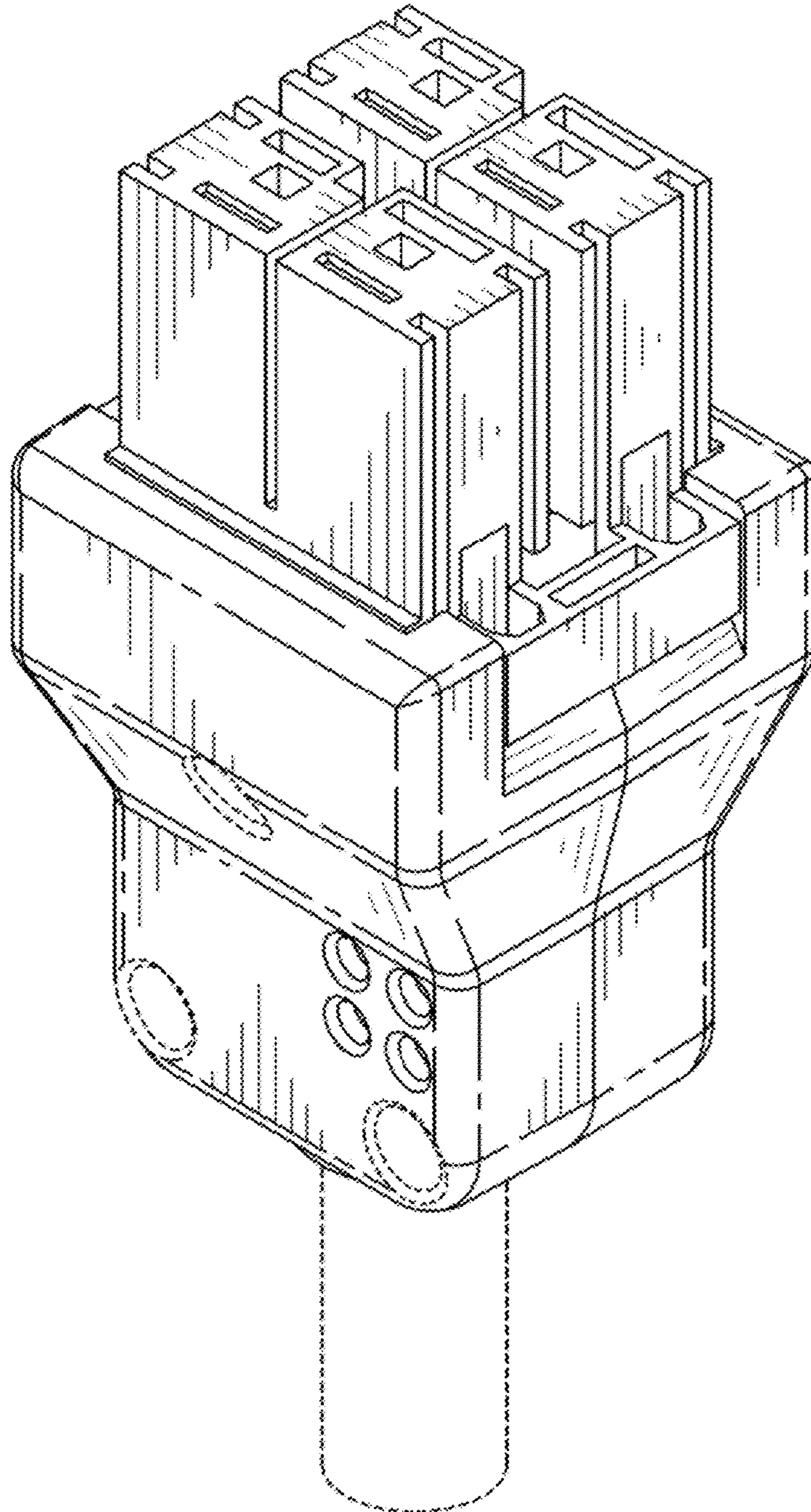


FIG. 1

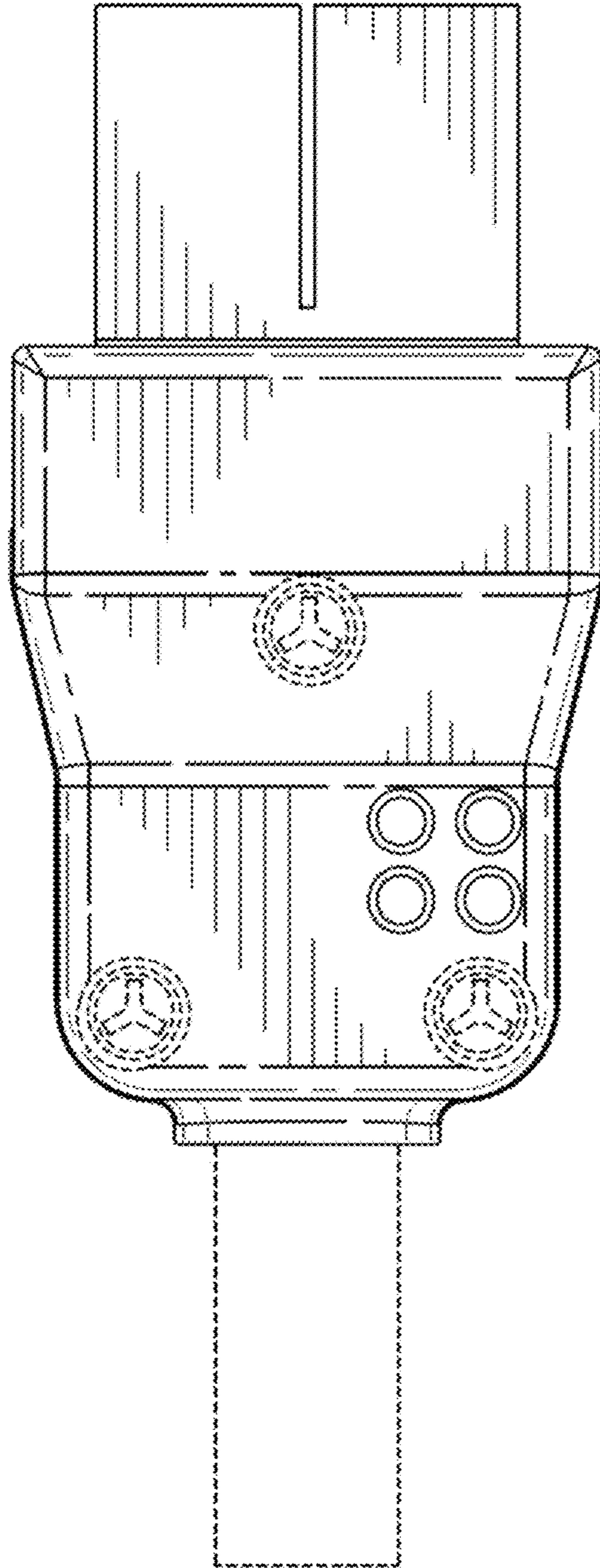


FIG. 2

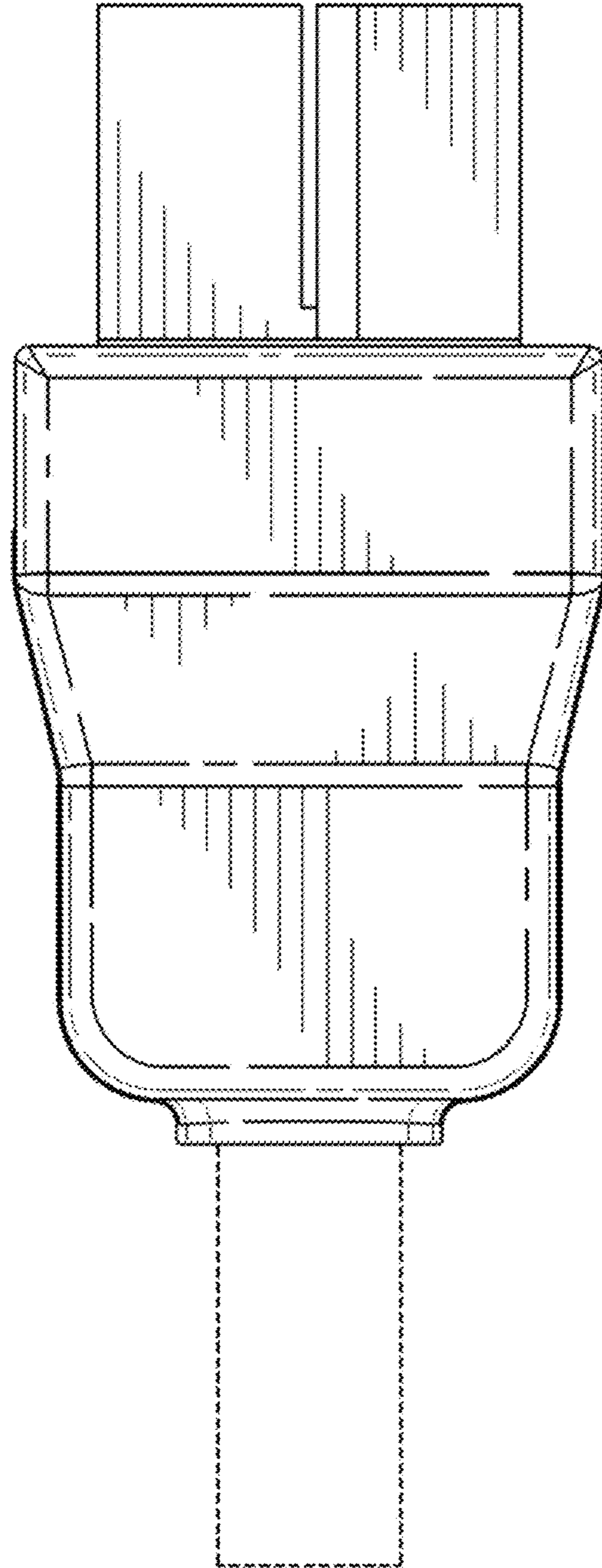


FIG. 3

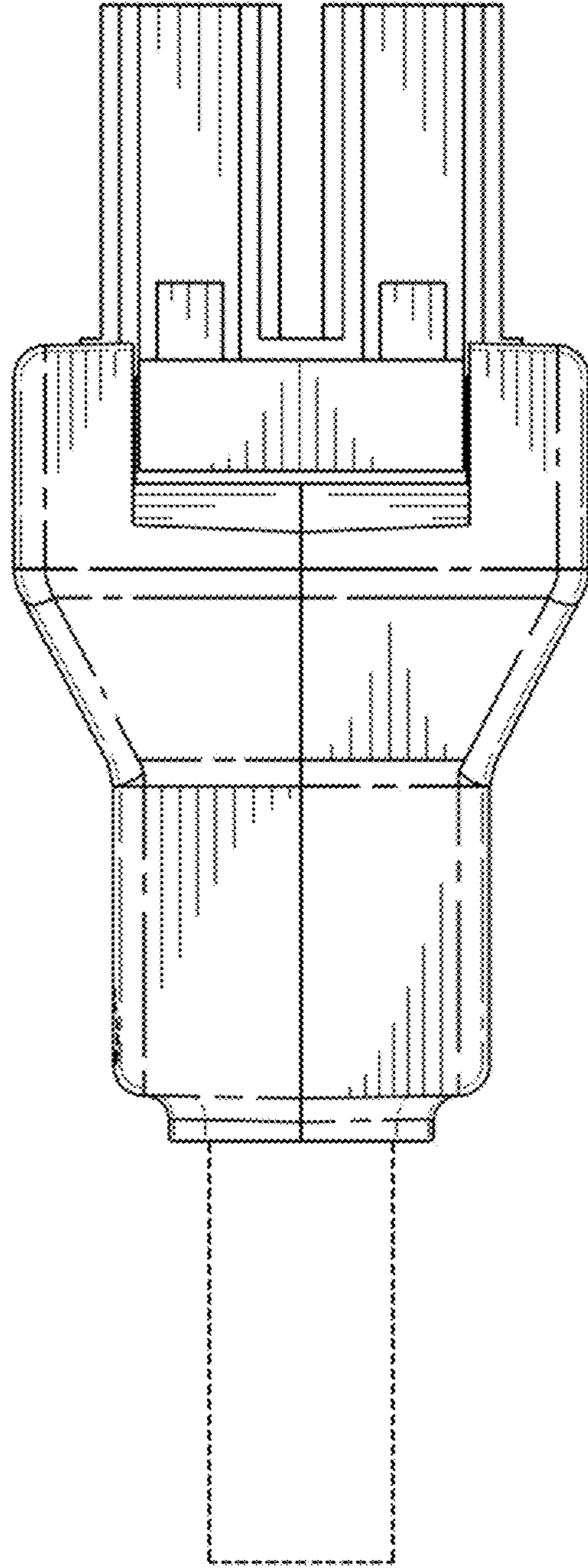


FIG. 4

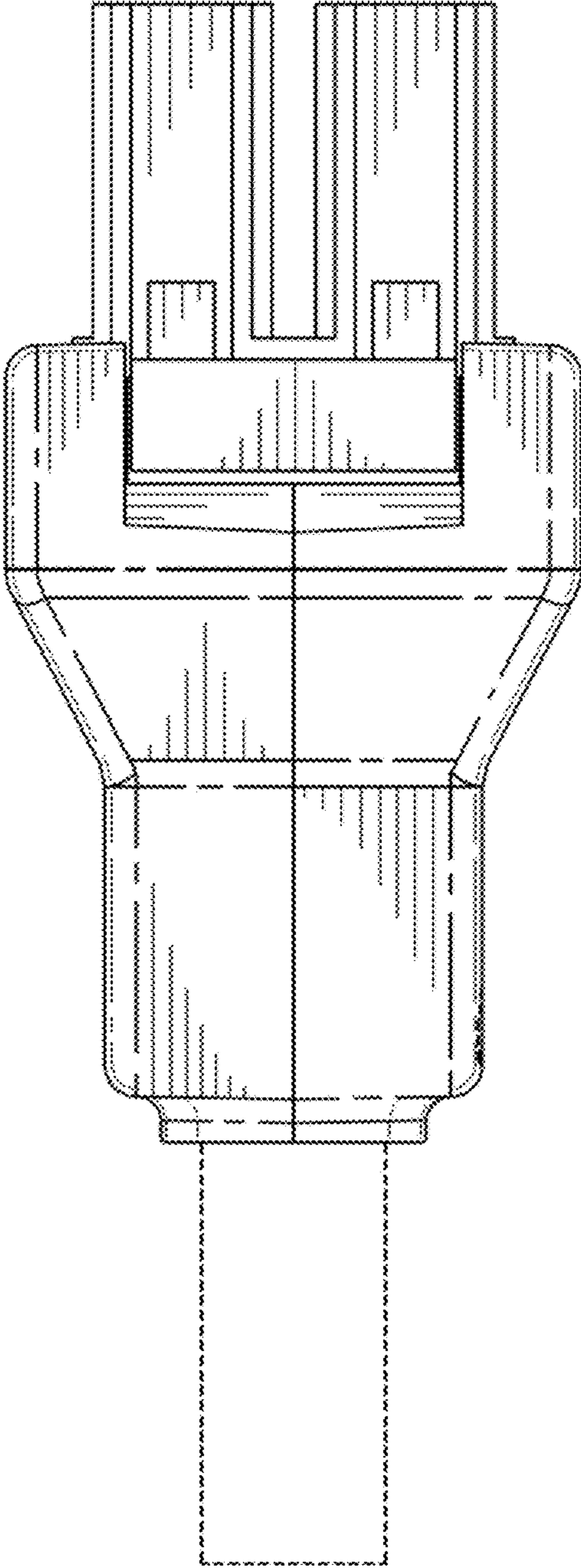


FIG. 5

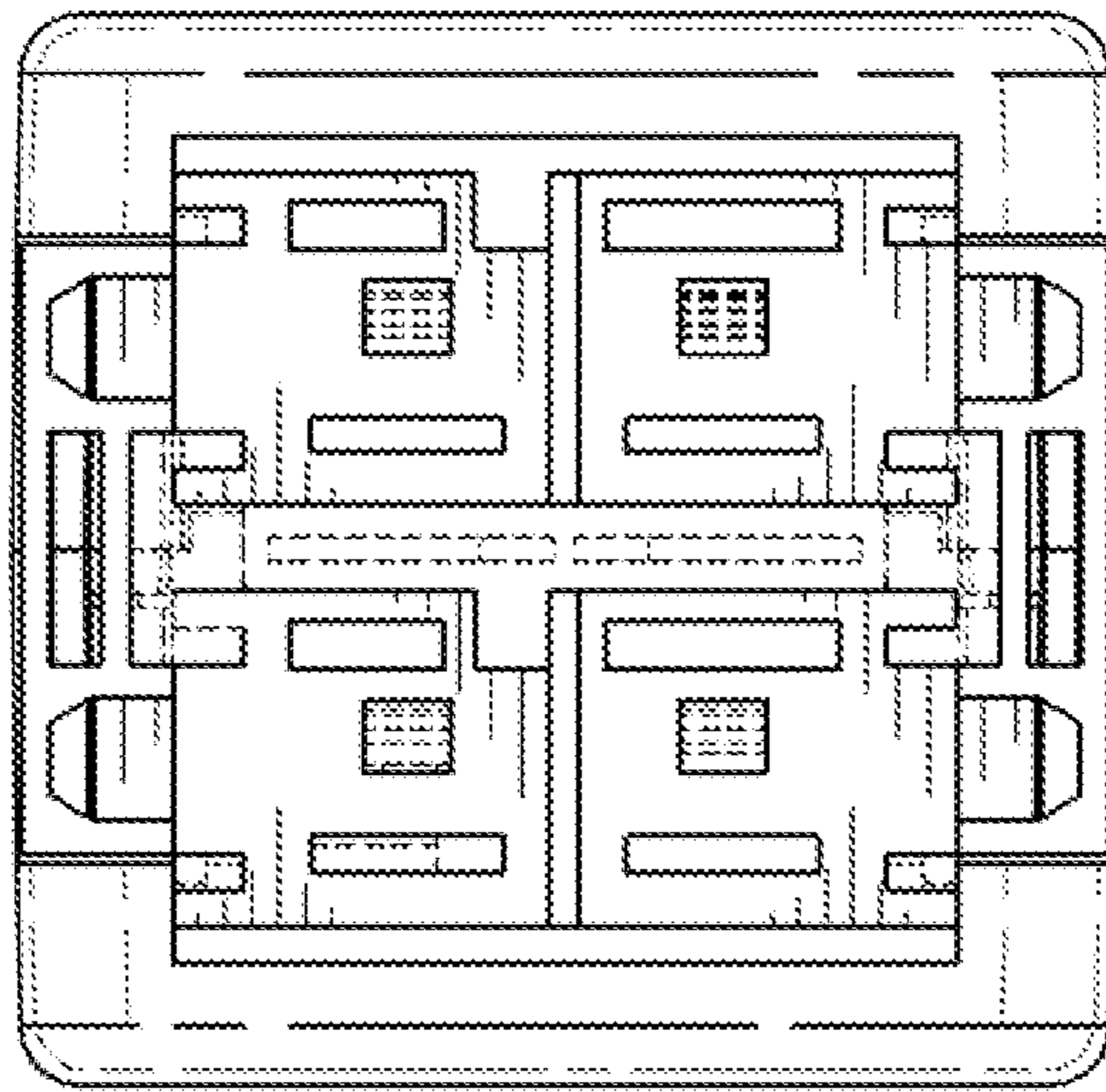


FIG. 6

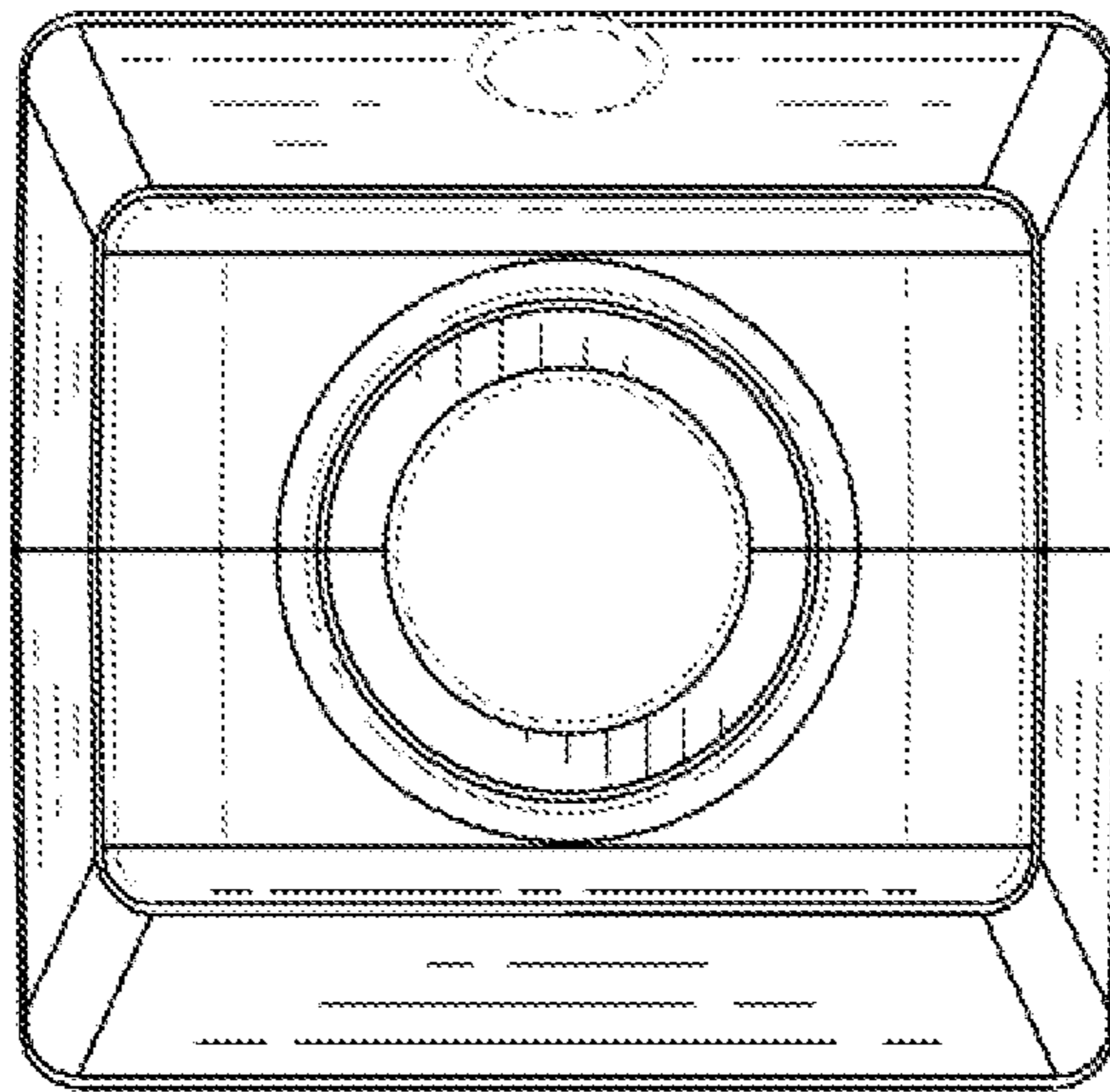


FIG. 7