



US00D925457S

(12) **United States Design Patent**
Zhang et al.

(10) **Patent No.:** **US D925,457 S**
(45) **Date of Patent:** **** Jul. 20, 2021**

(54) **PLUG-IN INDUCTION DEVICE FOR ILLUMINATION**

(71) Applicant: **Shenzhen Signcomplex Ltd.**,
Guangdong (CN)

(72) Inventors: **Wenfeng Zhang**, Guangdong (CN);
Shuiwang Li, Guangdong (CN);
Qimeng He, Guangdong (CN); **Tiejun Wu**, Guangdong (CN)

(73) Assignee: **SHENZHEN SIGNCOMPLEX LTD.**,
Shenzhen (CN)

(**) Term: **15 Years**

(21) Appl. No.: **29/694,253**

(22) Filed: **Jun. 10, 2019**

(51) **LOC (13) Cl.** **13-03**

(52) **U.S. Cl.**

USPC **D13/134**

(58) **Field of Classification Search**

USPC D26/1, 2, 24, 60, 61, 63-66, 72, 75, 80,
D26/81, 83, 85, 87, 88, 92, 113, 118,
D26/119, 138, 142, 145; D13/107, 118,
D13/123, 133-135, 146, 147, 149, 151,
D13/153, 154, 173, 183, 184, 199;
D16/218, 219

CPC F21V 19/00; F21V 21/00; F21V 29/71;
F21V 35/00; G02B 7/02; H05B 33/08;
H05B 37/02; H05B 41/24

See application file for complete search history.

(56) **References Cited**

U.S. PATENT DOCUMENTS

5,262,899 A * 11/1993 Iizuka G02B 7/02
359/811
6,369,960 B2 * 4/2002 Azegami G02B 7/02
359/819

D625,031 S * 10/2010 Yamamoto D26/2
D626,665 S * 11/2010 Sorokin D26/2
D698,844 S * 2/2014 Hasuda D16/219
D700,737 S * 3/2014 Campagna D26/142
D701,637 S * 3/2014 Xue D26/118
D764,079 S * 8/2016 Wu D26/24
D770,673 S * 11/2016 Hasan D26/138
D776,742 S * 1/2017 Awazu D16/219
2010/0226023 A1 * 9/2010 Lee G02B 7/02
359/819
2012/0242957 A1 * 9/2012 Mordaunt A61B 3/10
351/219
2013/0033769 A1 * 2/2013 Duan G03B 17/12
359/819

(Continued)

Primary Examiner — Shawn T Gingrich

(57) **CLAIM**

The ornamental design for a plug-in induction device for illumination, as shown and described.

DESCRIPTION

FIG. 1 is a perspective view of a plug-in induction device for illumination showing our new design.

FIG. 2 is a front elevational view thereof;

FIG. 3 is a rear elevational view thereof;

FIG. 4 is a left side elevational view thereof;

FIG. 5 is a right side elevational view thereof;

FIG. 6 is a top plan view thereof;

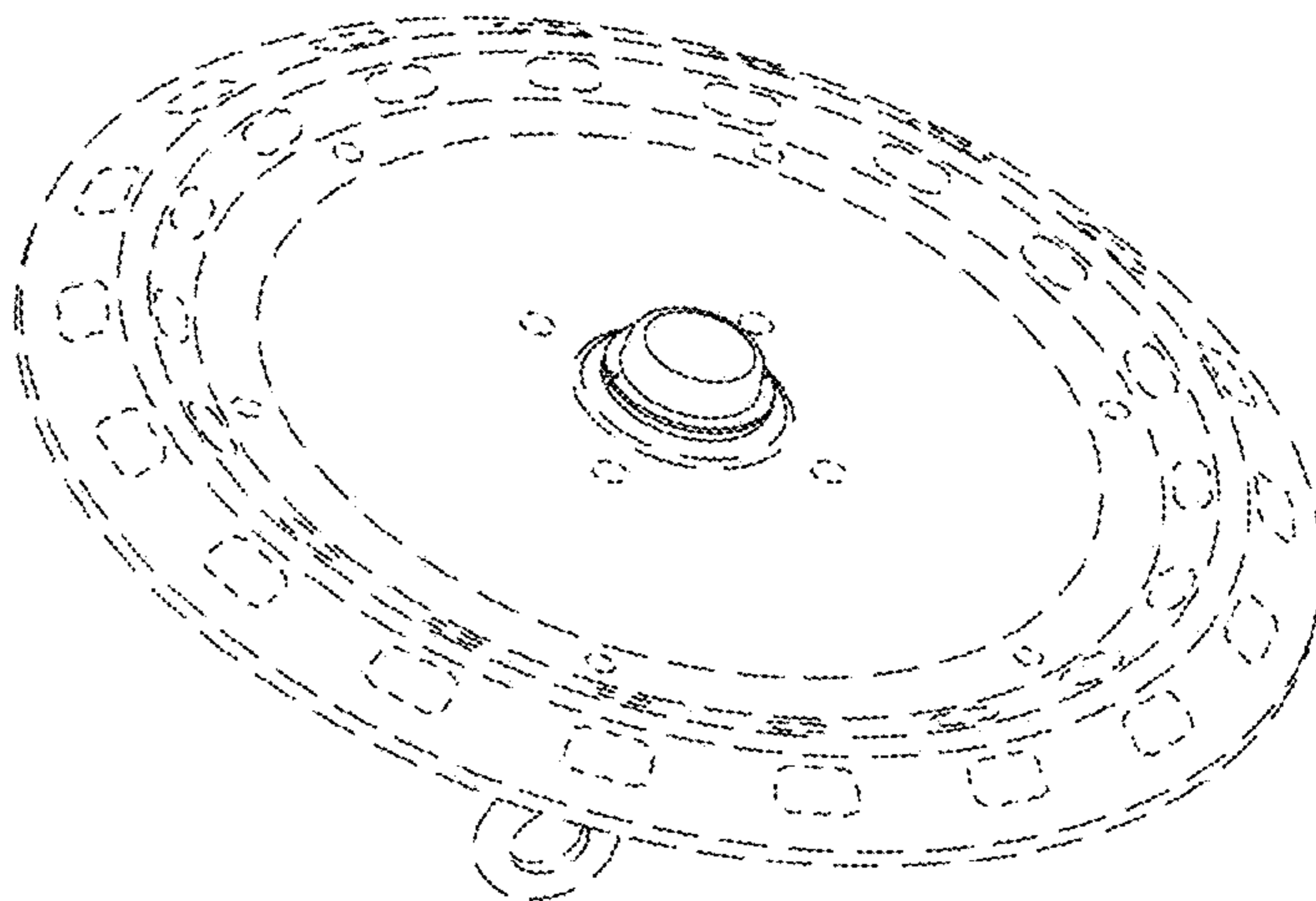
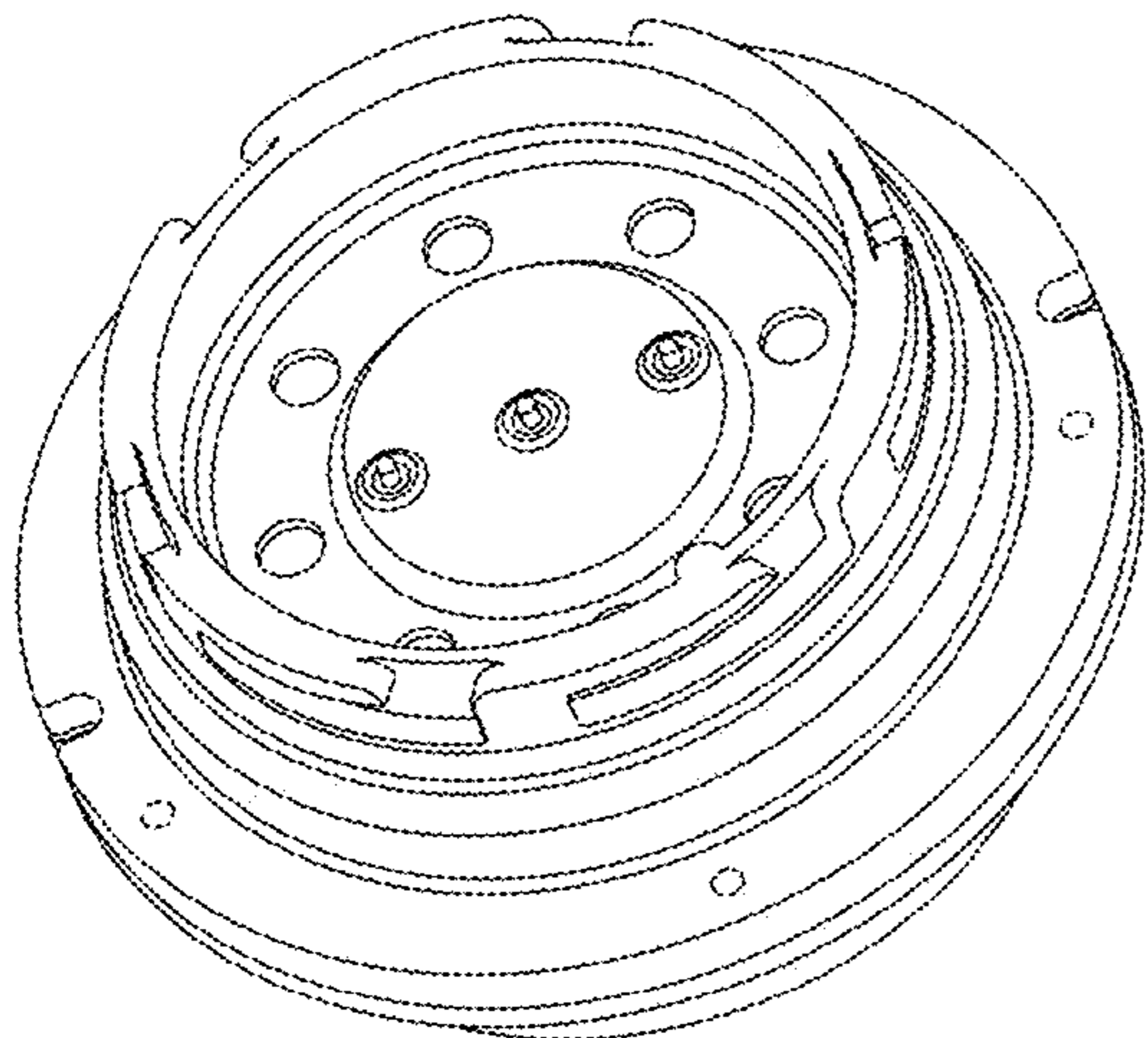
FIG. 7 is a bottom plan view thereof;

FIG. 8 is a perspective view for a usage state of a plug-in induction device for illumination being used on a LED lamp from a viewing angle; and,

FIG. 9 is a perspective view for a usage state of a plug-in induction device for illumination being used on a LED lamp from another viewing angle.

The broken lines in FIGS. 1-7 show portions of the invention that form no part of the claimed design. The broken lines in FIGS. 8 and 9 illustrate environment that form no part of the claimed design.

1 Claim, 9 Drawing Sheets



(56)

References Cited

U.S. PATENT DOCUMENTS

2015/0131301 A1* 5/2015 Ho F21V 19/0055
362/382
2019/0037657 A1* 1/2019 Lan F21V 23/008

* cited by examiner

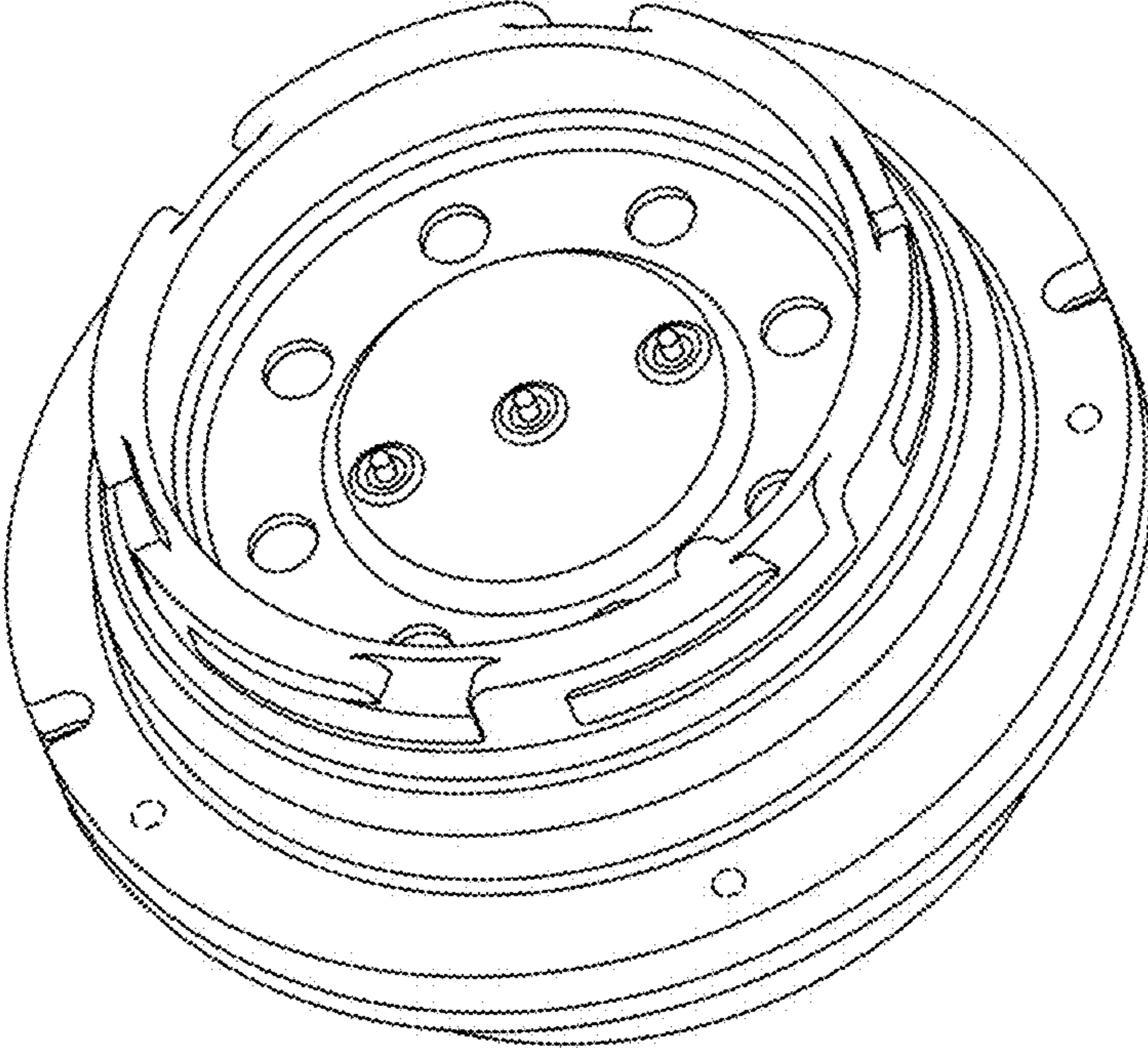


FIG.1

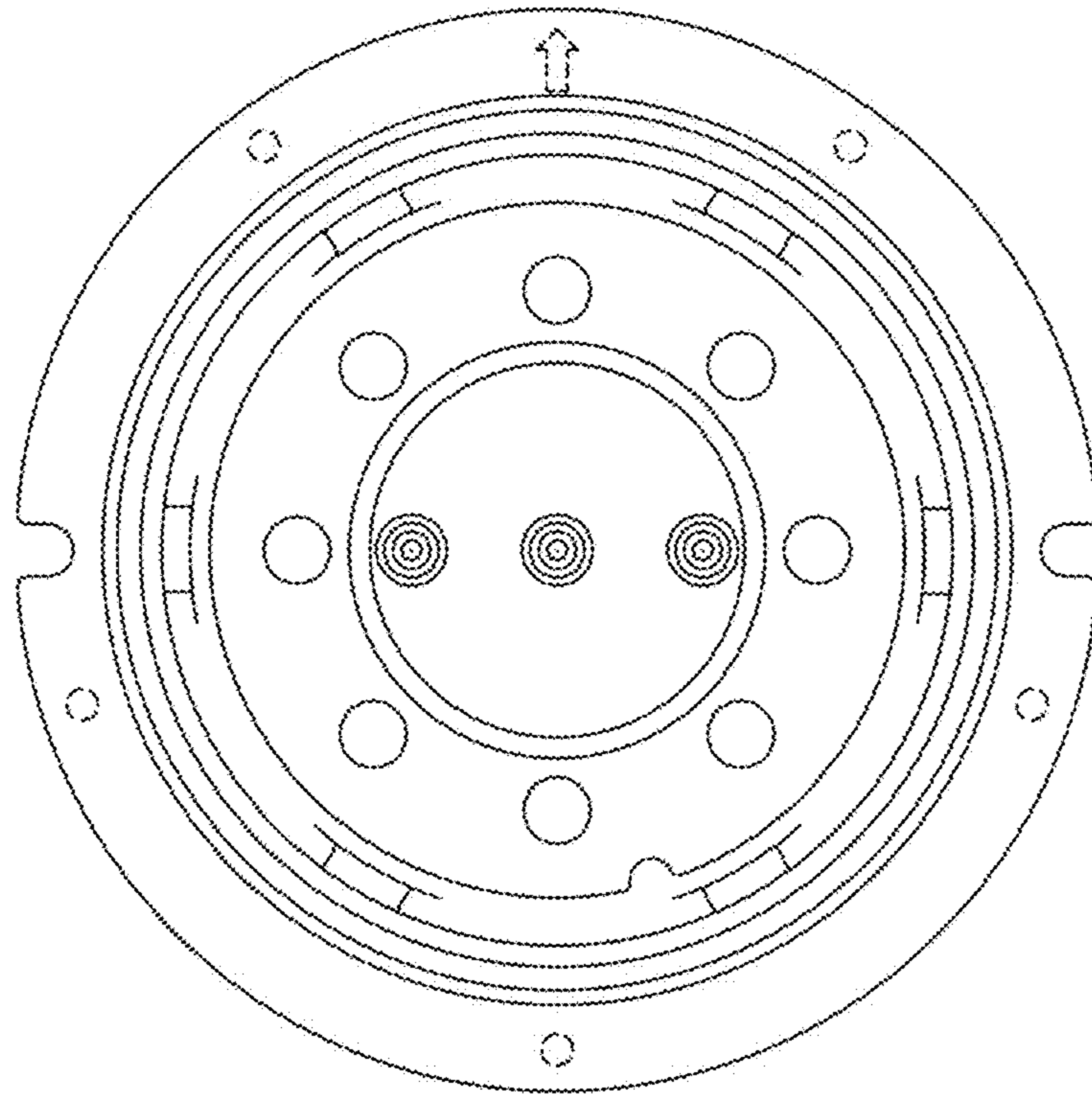


FIG.2

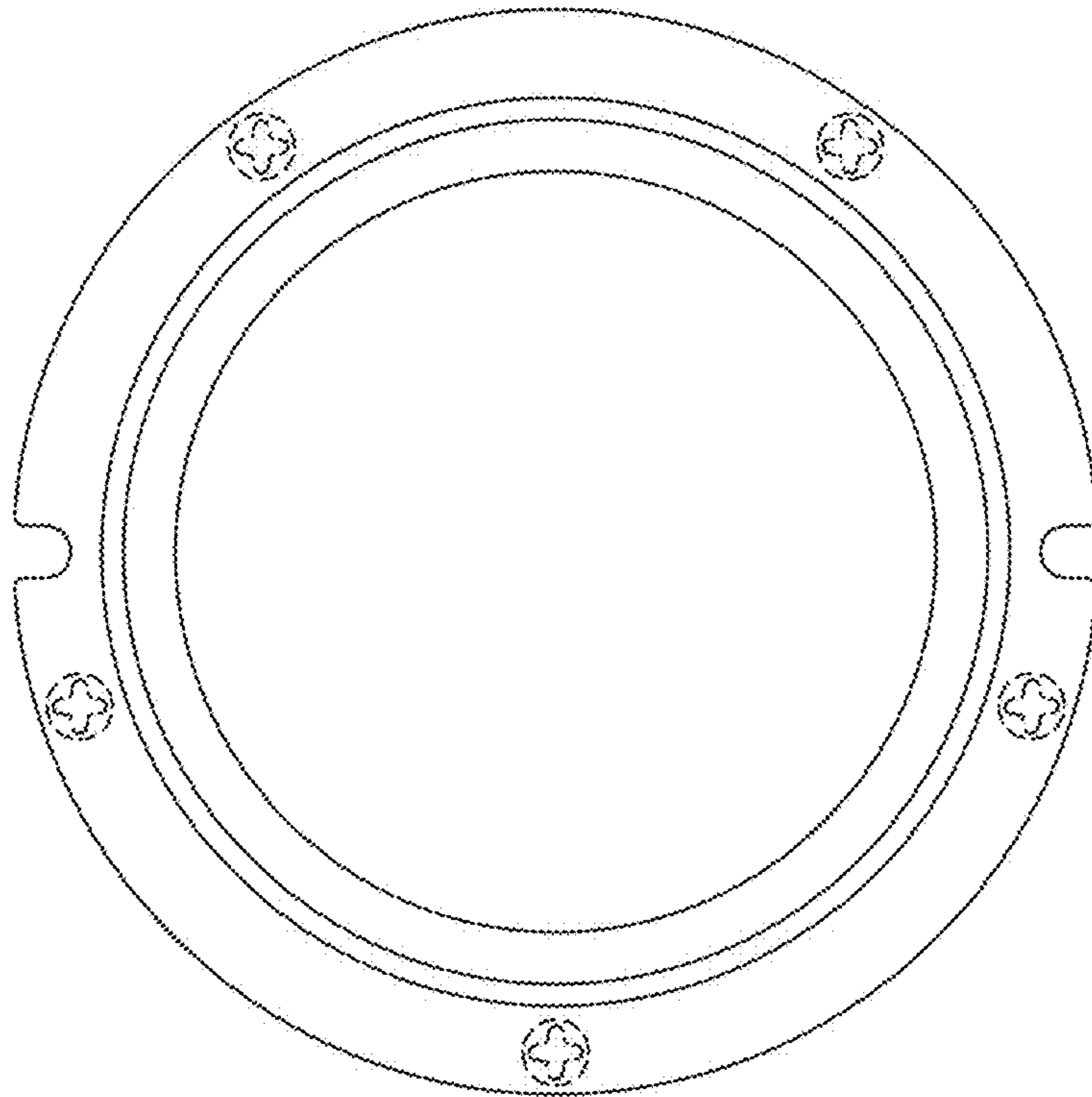


FIG.3

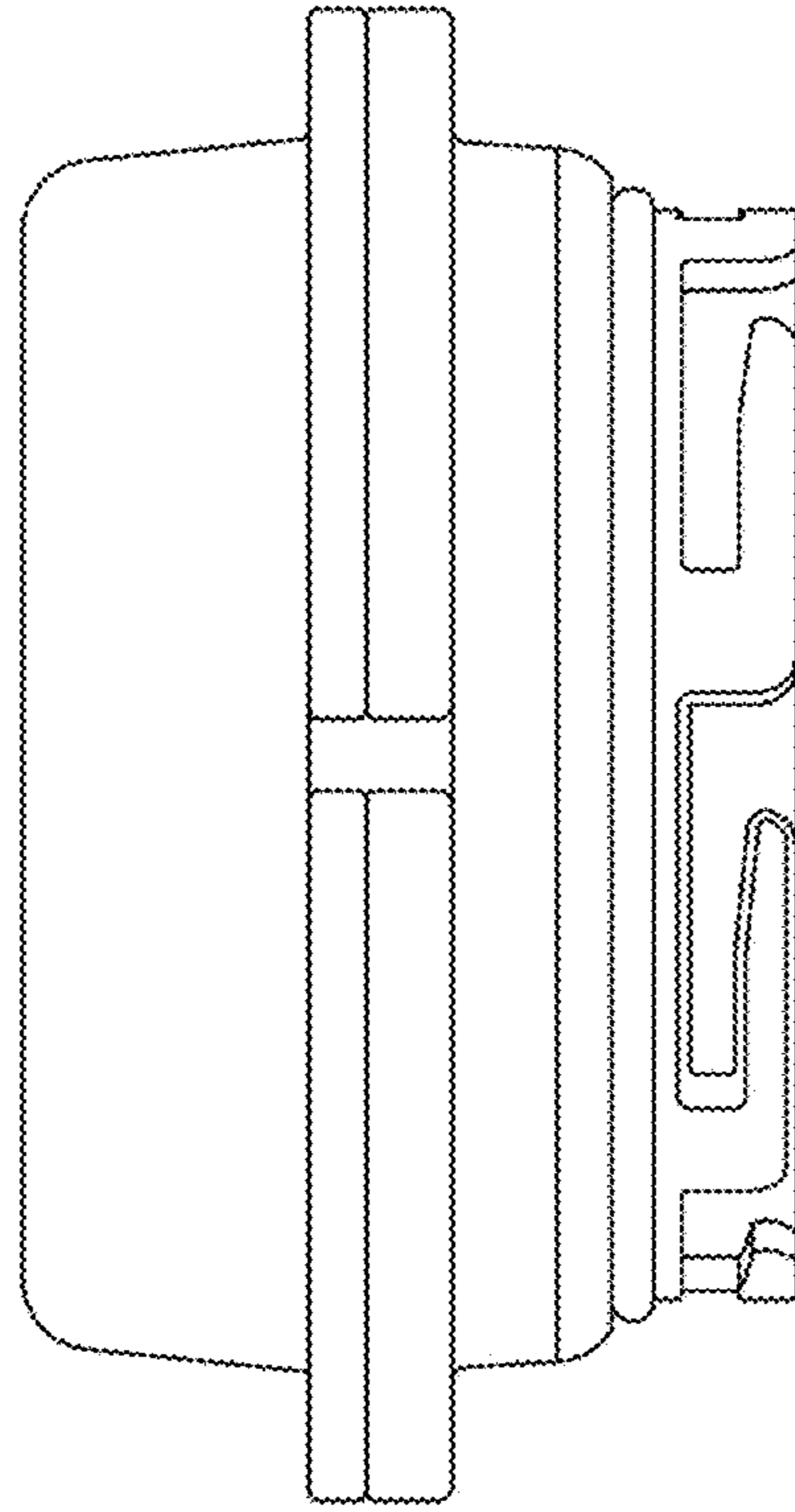


FIG.4

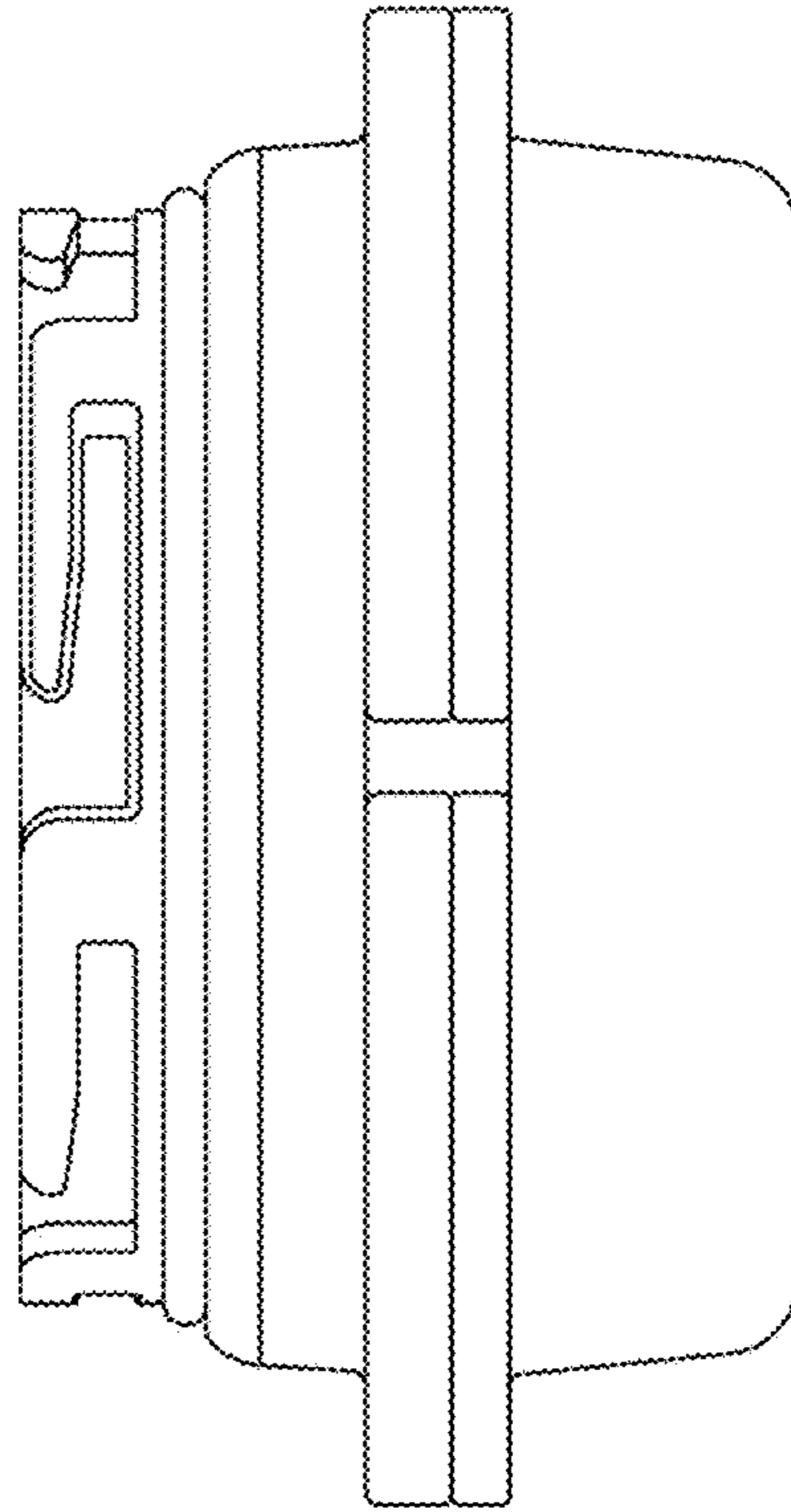


FIG.5

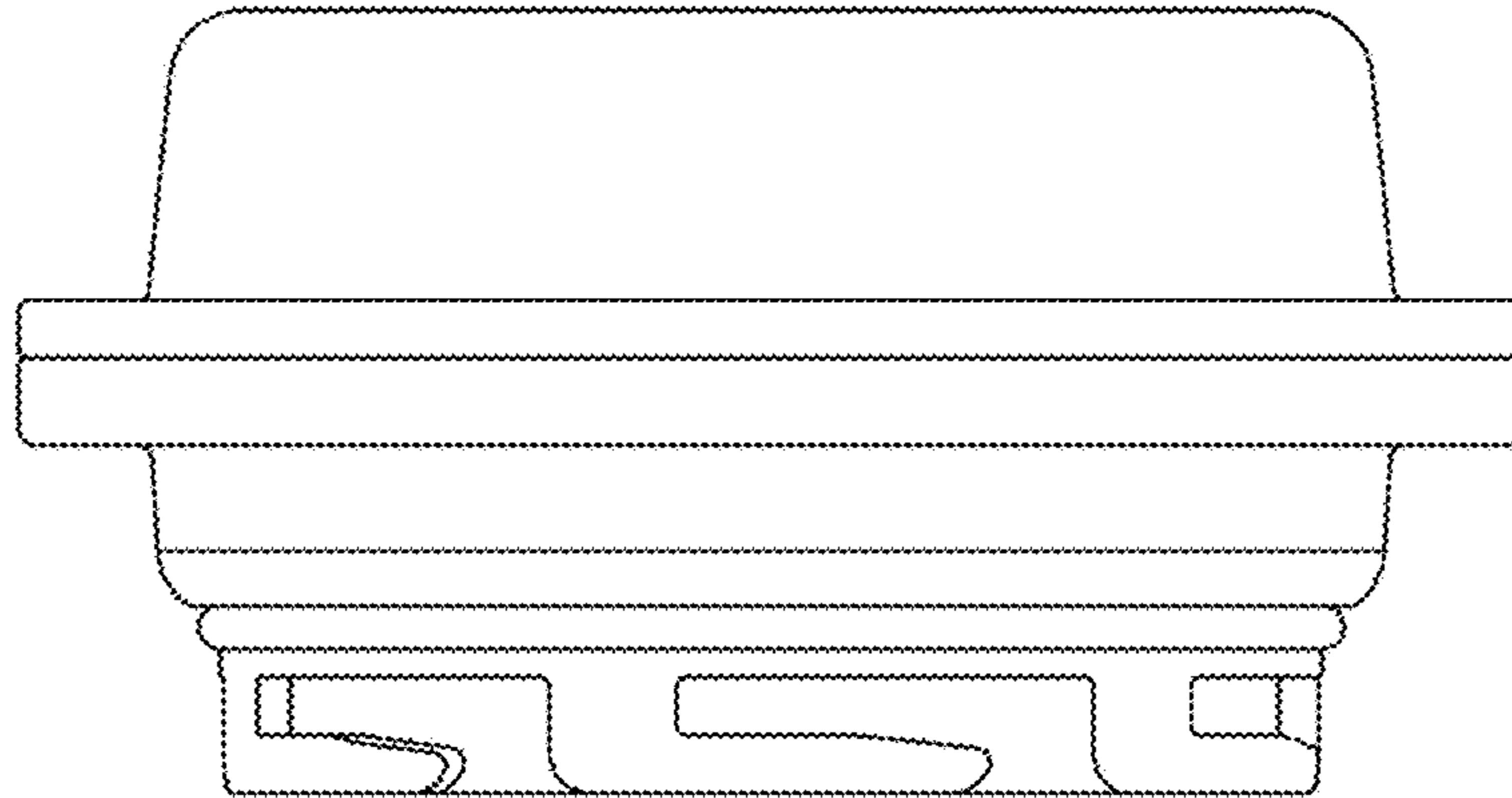


FIG.6

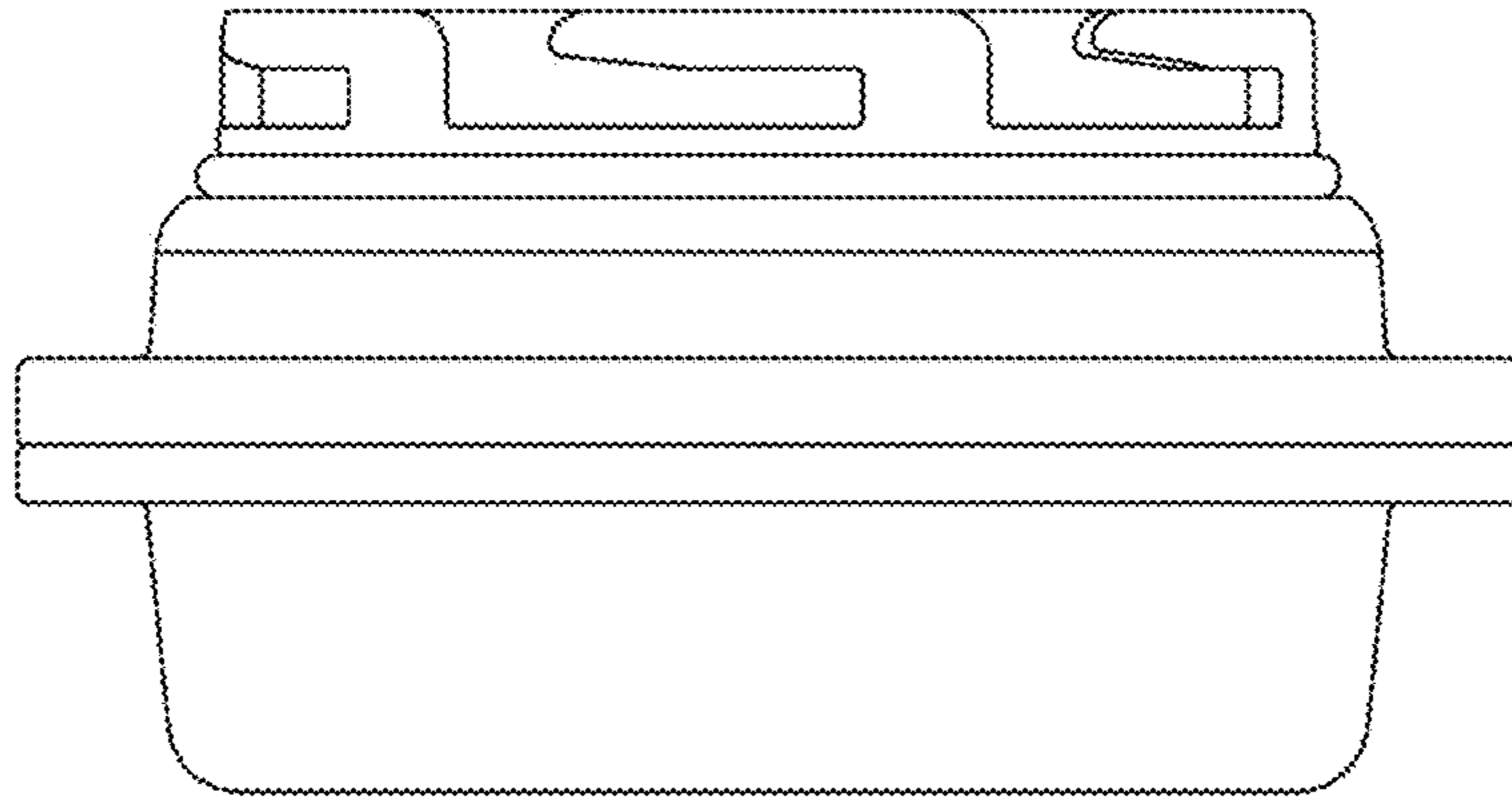


FIG.7

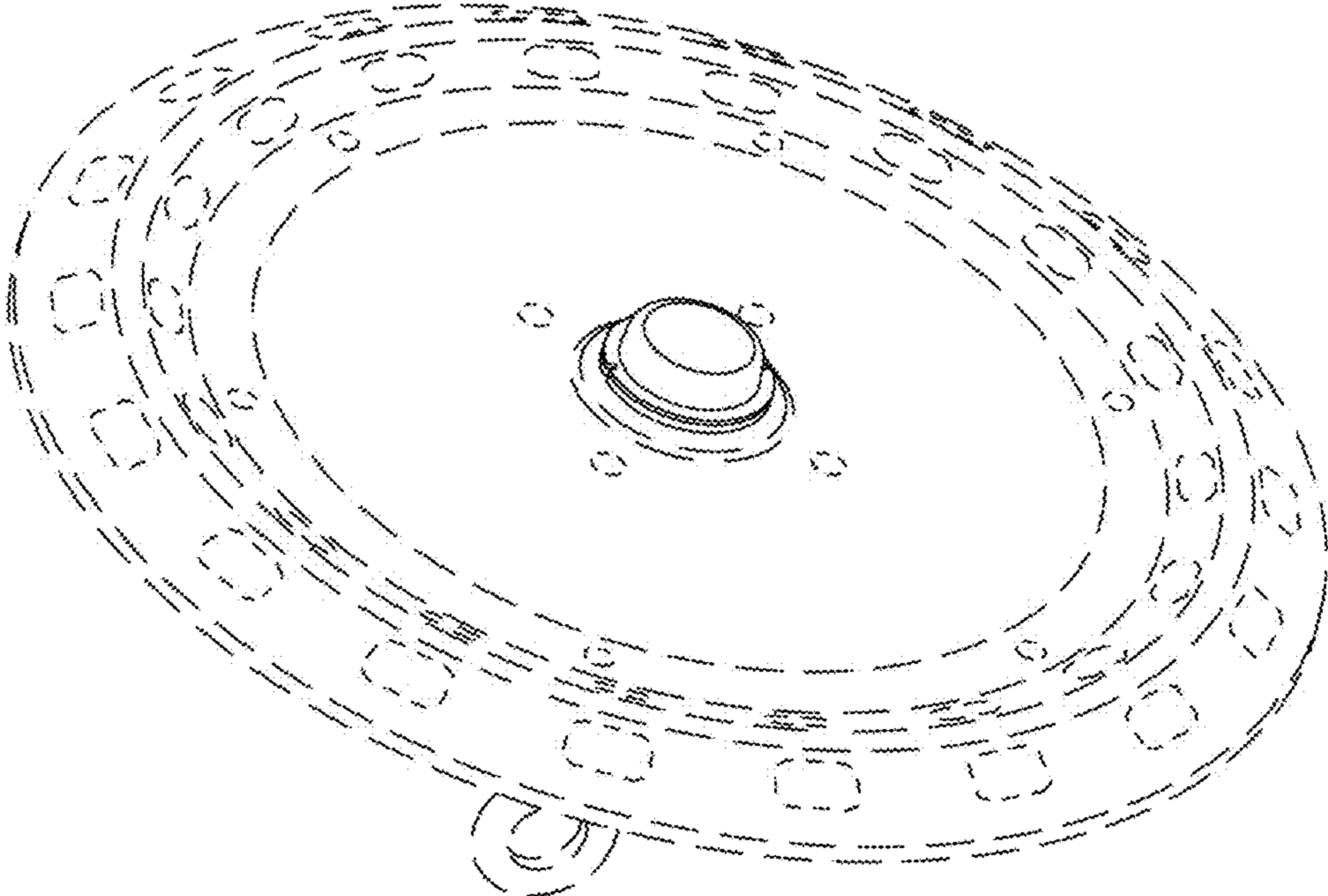


FIG.8

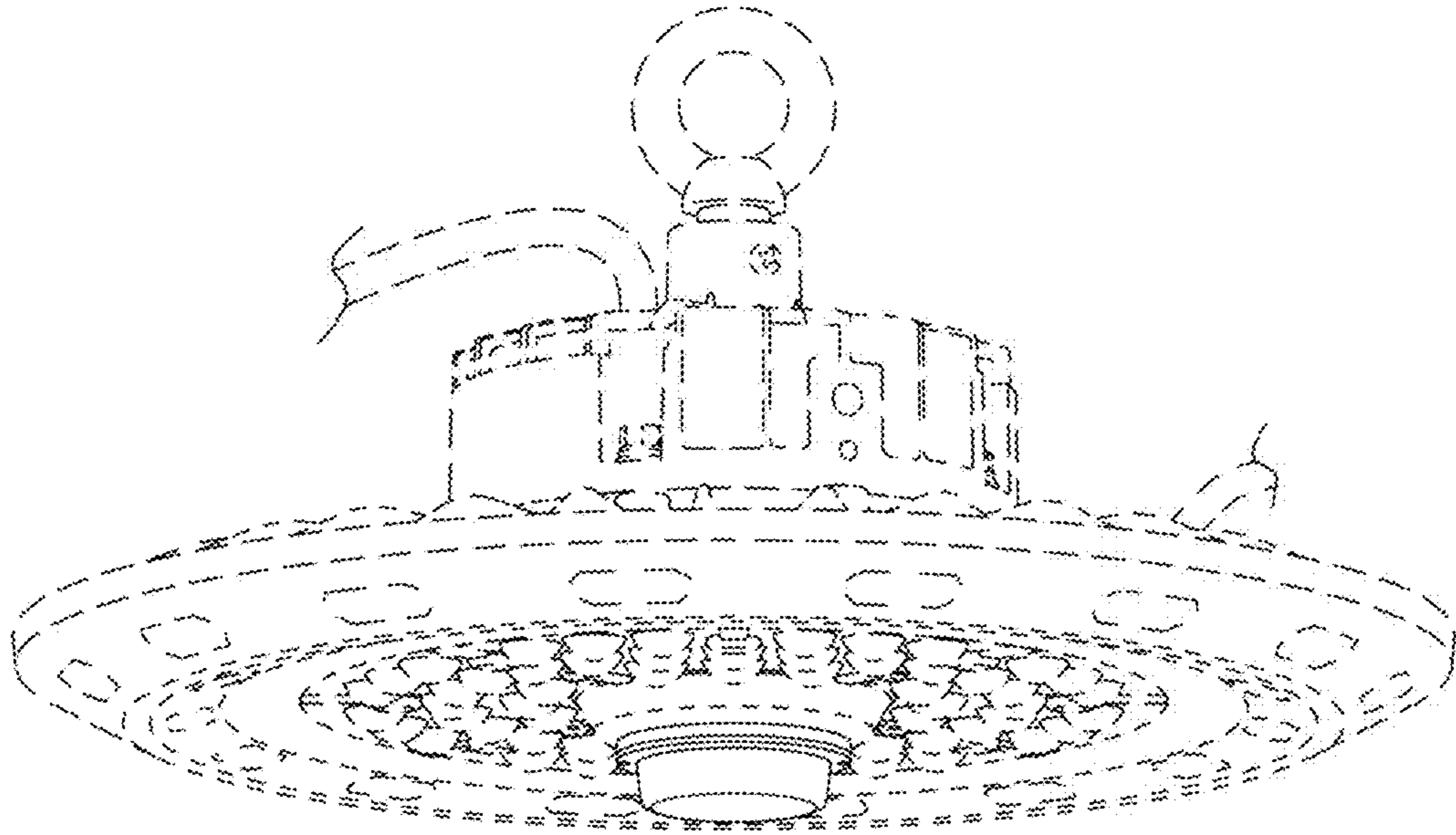


FIG.9