



US00D925456S

(12) **United States Design Patent** (10) **Patent No.:** **US D925,456 S**
Gonzalez et al. (45) **Date of Patent:** **** Jul. 20, 2021**

(54) **CONNECTOR**

(71) Applicant: **Molex, LLC**, Lisle, IL (US)
(72) Inventors: **Michael Gonzalez**, Lisle, IL (US);
Joseph D. Comerci, Lisle, IL (US);
Ishwarappa Ganamukhi, Bangalore (IN);
KrishnaPrasad Darbal Somanath, Bangalore (IN); **Manohara Ramakrishna Gowda**, Bangalore (IN)

(73) Assignee: **Molex, LLC**, Lisle, IL (US)

(**) Term: **15 Years**

(21) Appl. No.: **29/681,952**

(22) Filed: **Feb. 28, 2019**

(51) **LOC (13) Cl.** **13-03**

(52) **U.S. Cl.**
USPC **D13/133; D13/149**

(58) **Field of Classification Search**
USPC D13/133, 146, 147, 151, 153, 155, 156, D13/184
CPC H01R 13/02; H01R 13/436; H01R 13/502; H01R 13/504; H01R 13/506; H01R 13/62; H01R 13/64; H01R 13/641
See application file for complete search history.

(56) **References Cited**

U.S. PATENT DOCUMENTS

4,986,766 A * 1/1991 Leonard H01R 13/6272
439/352
5,127,848 A * 7/1992 Taguchi H01R 13/6272
439/188
5,928,038 A * 7/1999 Berg H01R 13/6272
439/489
6,939,159 B1 * 9/2005 Klein H01R 13/6272
439/352

(Continued)

FOREIGN PATENT DOCUMENTS

CN 305633274 * 3/2020
TW D139973 10/2011

OTHER PUBLICATIONS

Connector Housing, Oct. 3, 2017, [online], [site visited Jun. 18, 2020], Available from Internet URL: https://www.molex.com/pdm_docs/ps/PS-33471-000-001.pdf (Year: 2017).*

Primary Examiner — Brandon M Rosati
(74) *Attorney, Agent, or Firm* — Banner & Witcoff, Ltd.

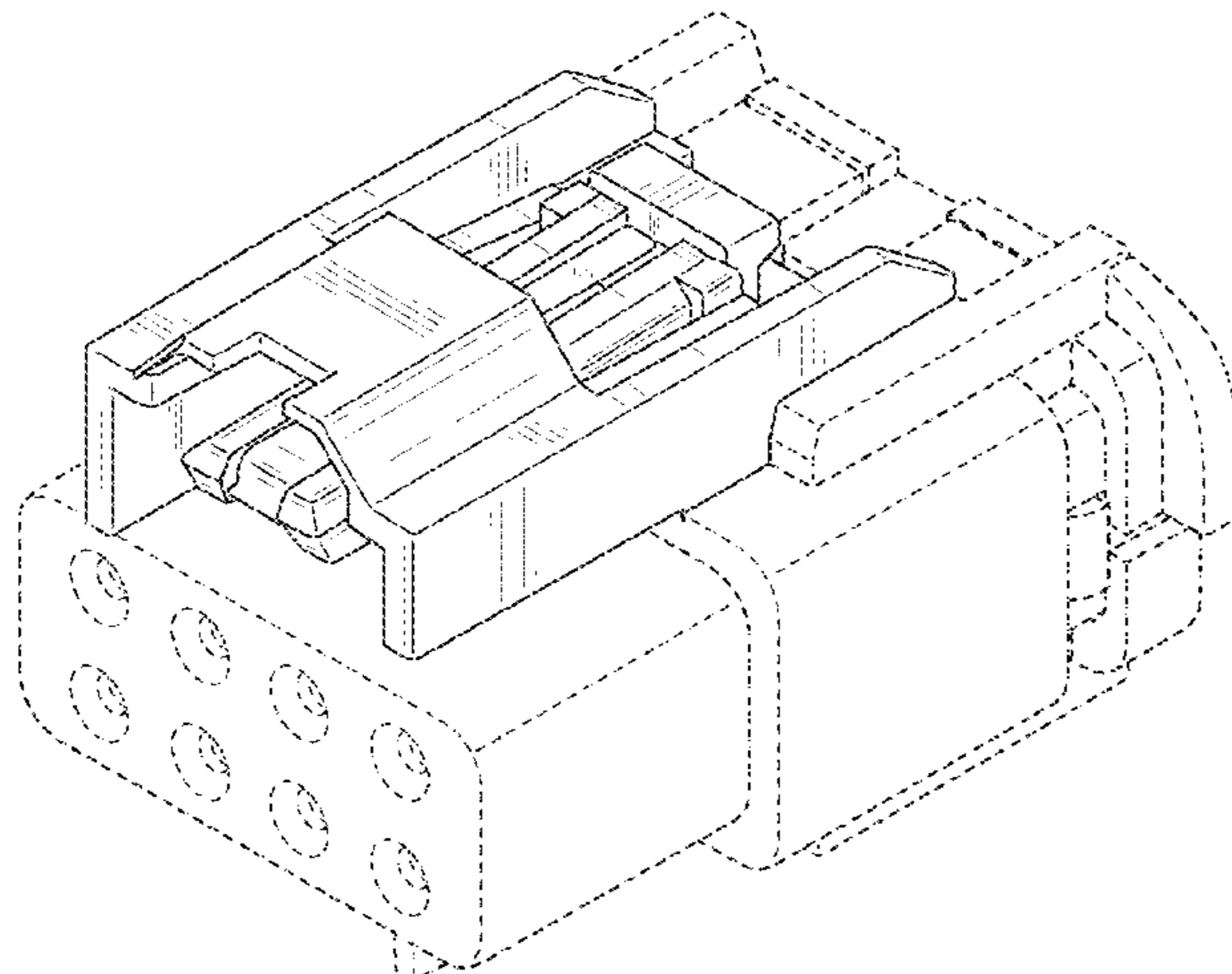
(57) **CLAIM**

The ornamental design for a connector, as shown and described.

DESCRIPTION

FIG. 1 is a front perspective view of a connector showing our new design;
FIG. 2 is a rear perspective view thereof;
FIG. 3 is a top view thereof;
FIG. 4 is a bottom view thereof;
FIG. 5 is a right side view thereof;
FIG. 6 is a left side view thereof;
FIG. 7 is a front view thereof;
FIG. 8 is a rear view thereof;
FIG. 9 is a front perspective view of an alternate embodiment of a connector showing our new design;
FIG. 10 is a rear perspective view thereof;
FIG. 11 is a top view thereof;
FIG. 12 is a bottom view thereof;
FIG. 13 is a left side view thereof;
FIG. 14 is a right side view thereof;
FIG. 15 is a front view thereof; and,
FIG. 16 is a rear view thereof.
The broken lines immediately adjacent to the shaded areas represent the bounds of the claimed design and form no part thereof. The broken lines depicting the remainder of the connector show features that form no part of the claimed design.

1 Claim, 16 Drawing Sheets



(56)

References Cited

U.S. PATENT DOCUMENTS

7,097,483 B2 * 8/2006 Hayashi H01R 13/5219
439/271
8,678,846 B2 * 3/2014 Hitchcock H01R 13/6272
439/352
9,620,879 B2 * 4/2017 Li H01R 4/185
9,847,597 B2 * 12/2017 Uttarkar H01R 13/6272
D810,689 S * 2/2018 Takano D13/147
D827,574 S * 9/2018 Kawakami D13/133
D835,044 S 12/2018 Ramanna et al.
D848,952 S * 5/2019 Gregori D13/147
D848,953 S * 5/2019 Gregori D13/147
D883,225 S * 5/2020 Asano D13/147
D894,836 S * 9/2020 Obata D13/133
10,784,620 B2 * 9/2020 Azad H01R 13/6315
10,797,420 B2 * 10/2020 Maesoba H01R 12/58
2020/0251846 A1 * 8/2020 Tian H01R 13/4368
2020/0295499 A1 * 9/2020 Nagasawa H01R 13/58
2020/0295505 A1 * 9/2020 Iida H01R 13/629
2020/0321731 A1 * 10/2020 Misu H01R 13/64

* cited by examiner

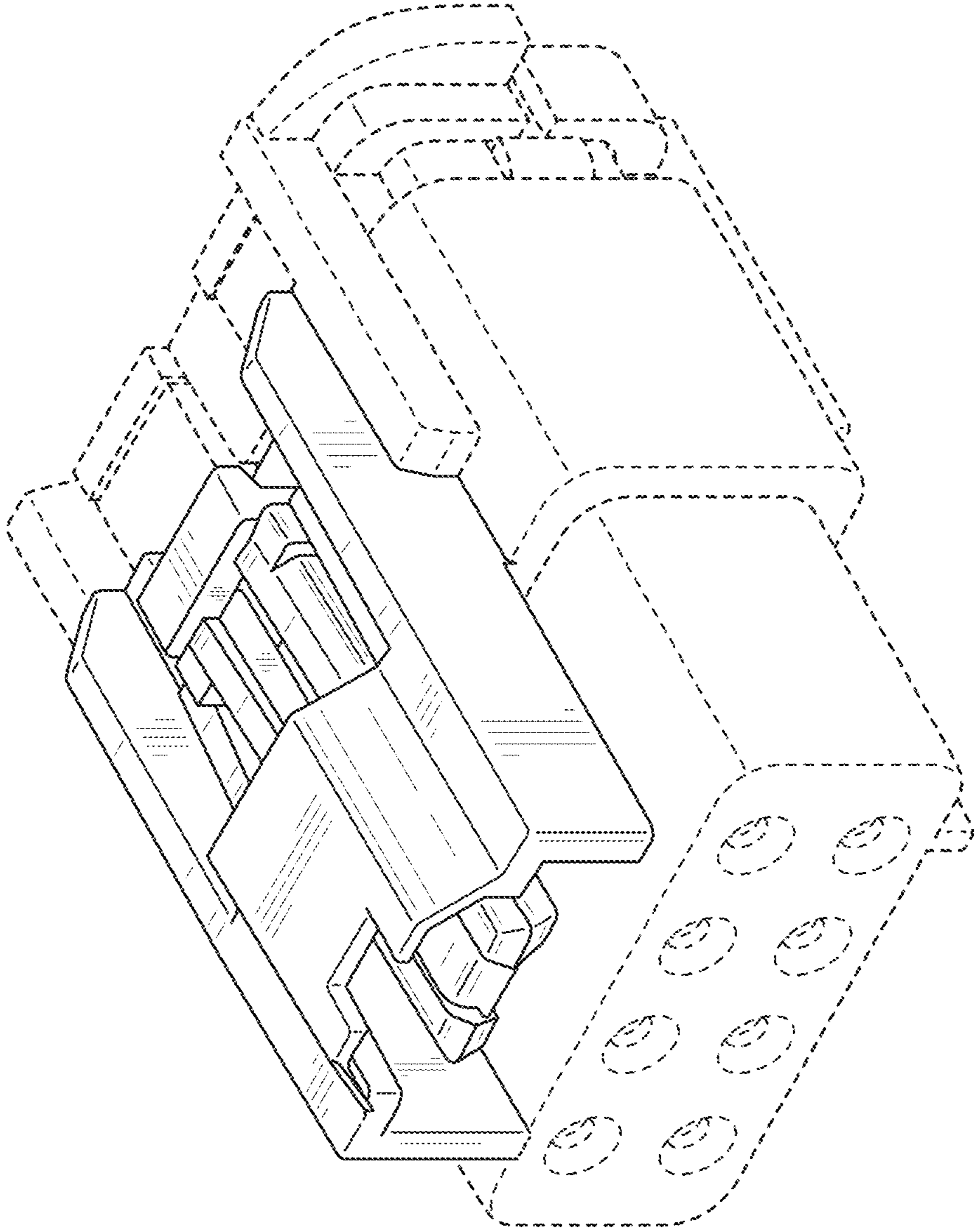


FIG. 1

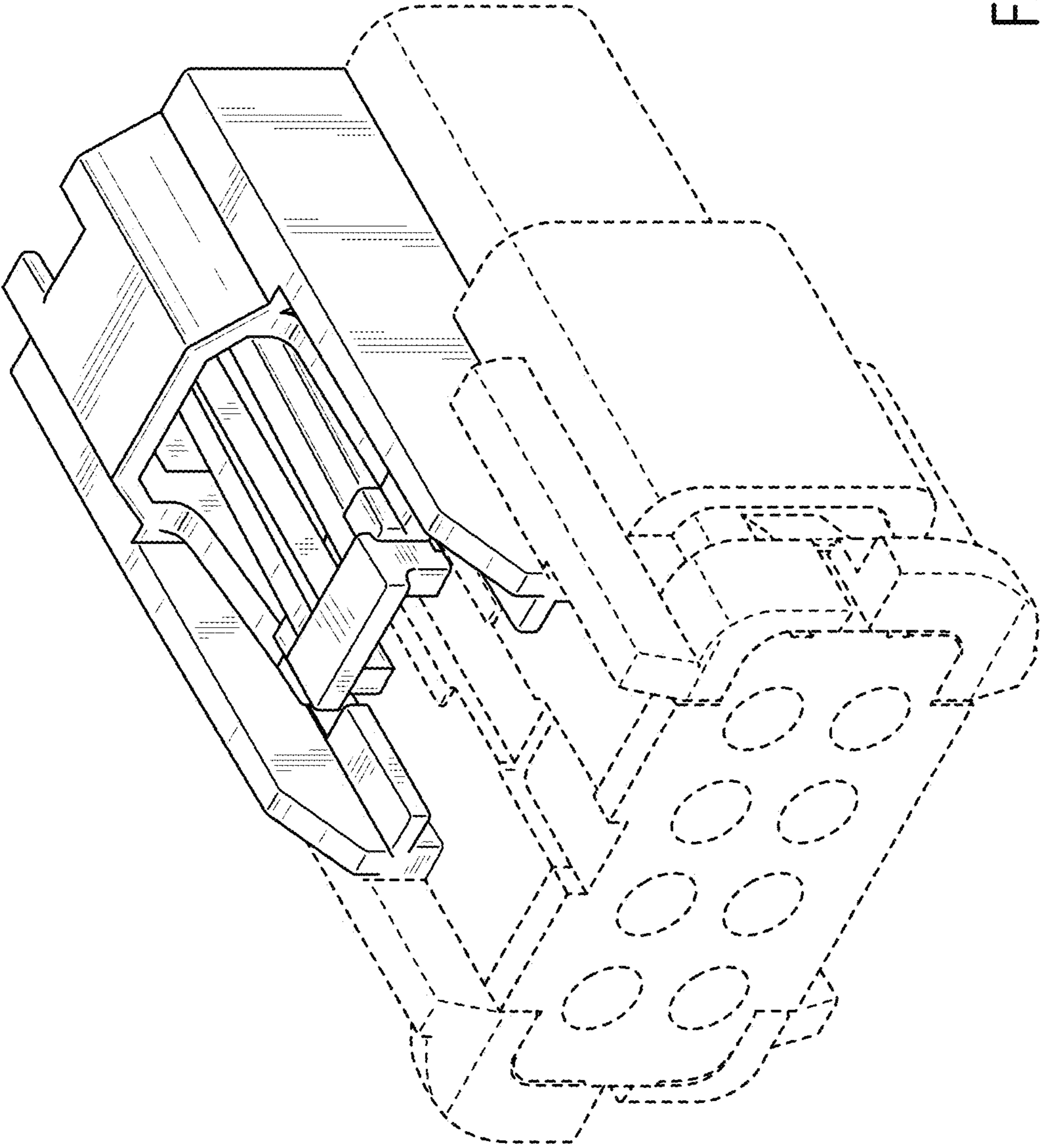


FIG. 2

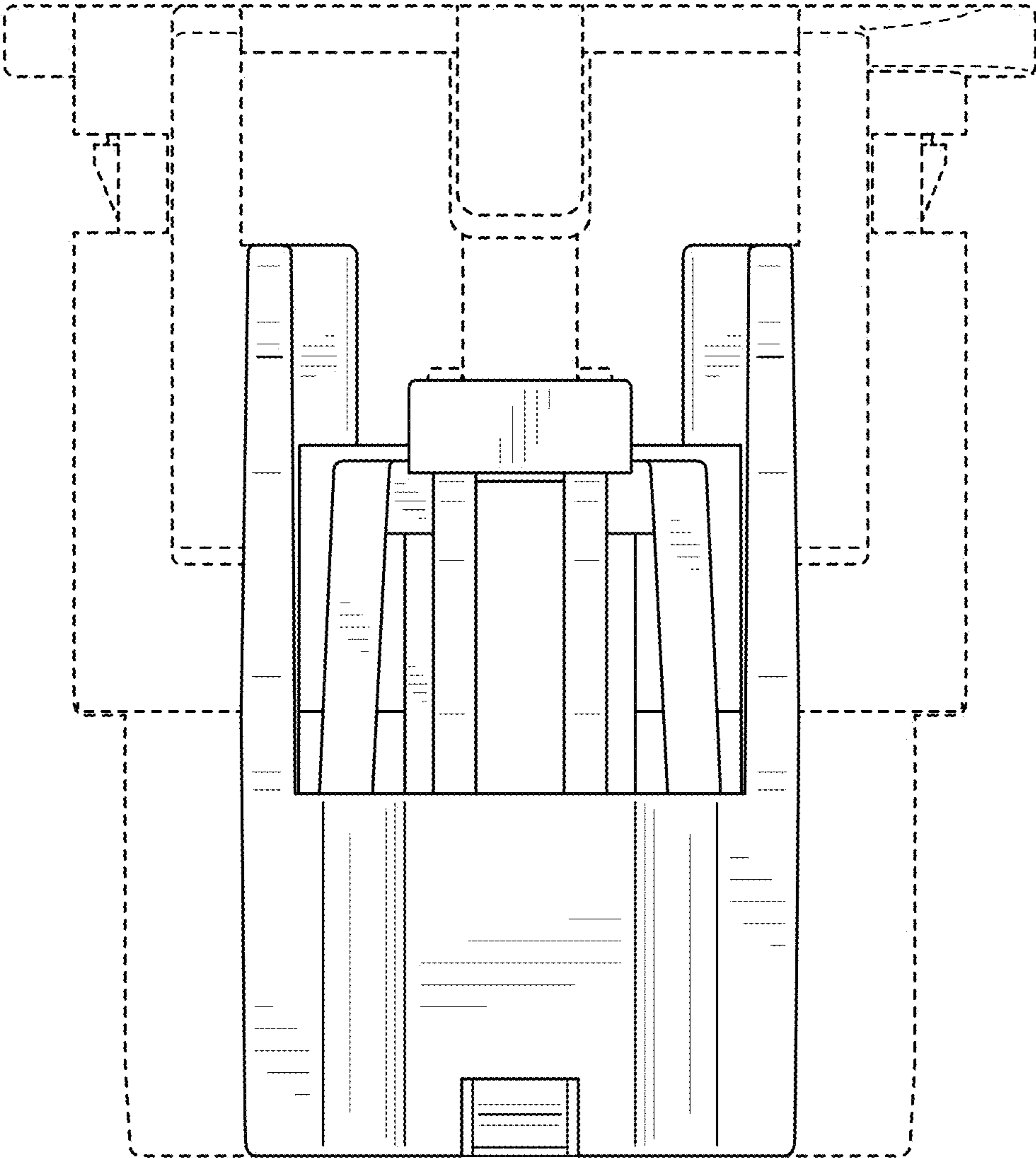


FIG. 3

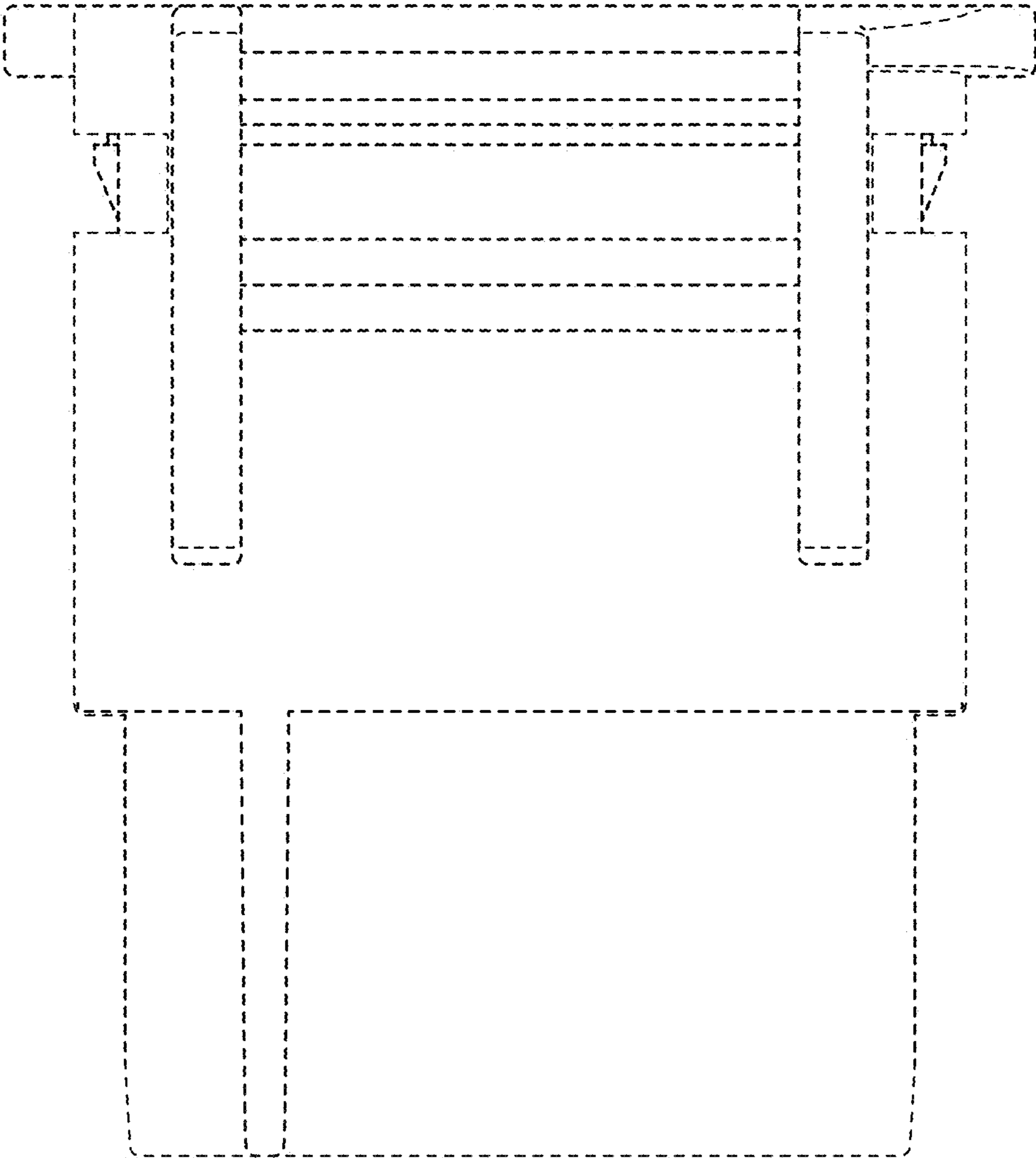


FIG. 4

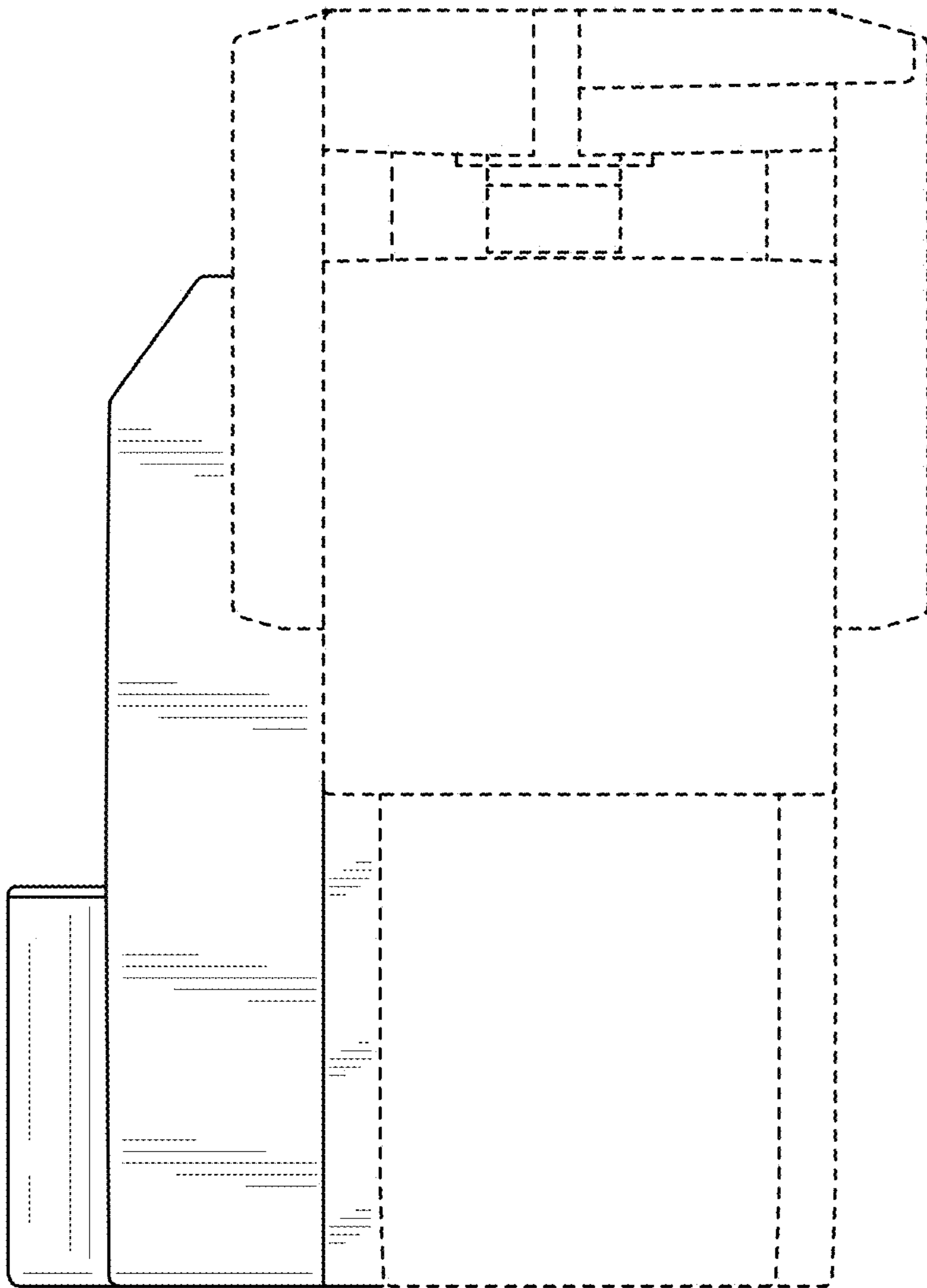


FIG. 5

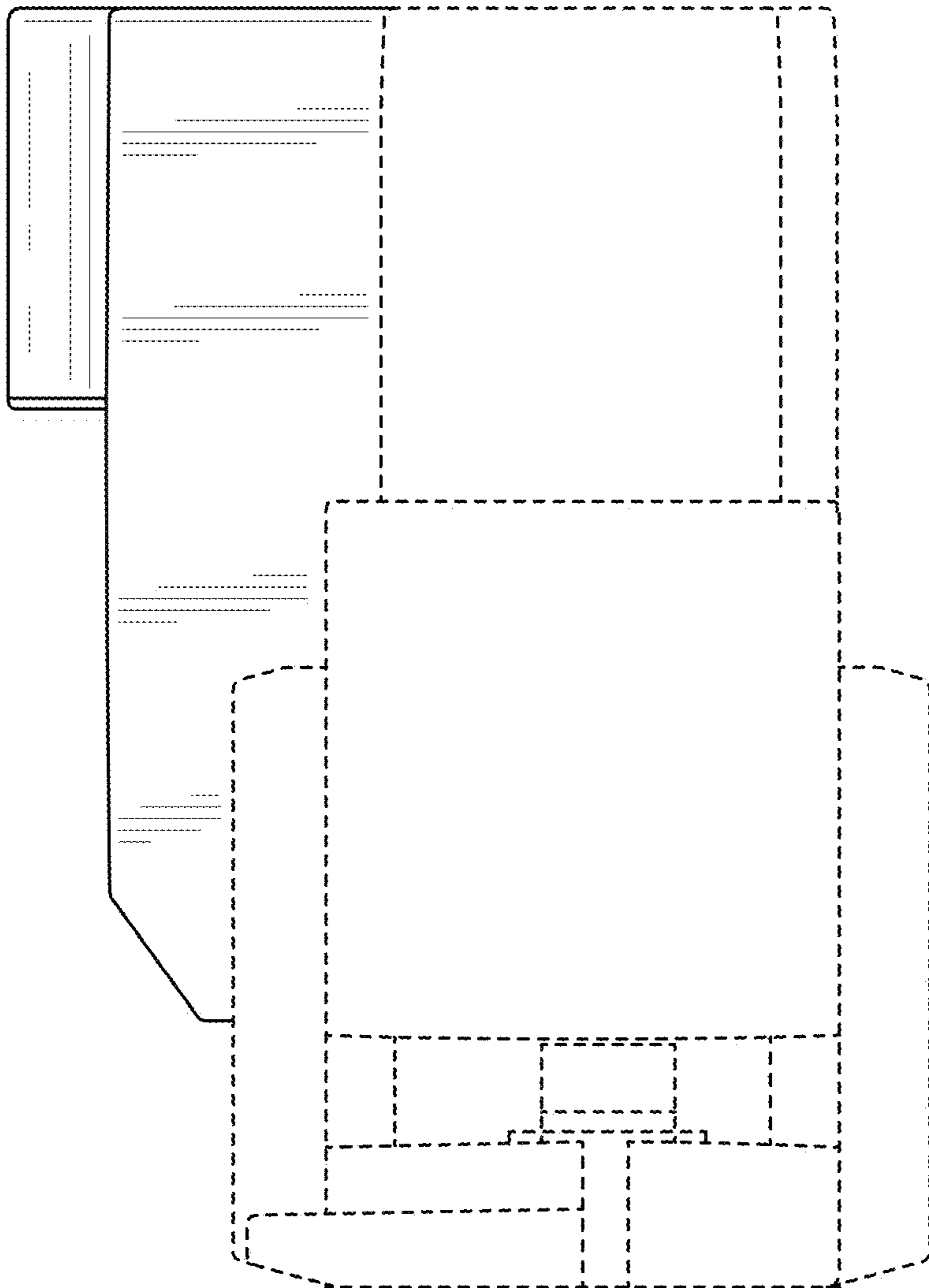


FIG. 6

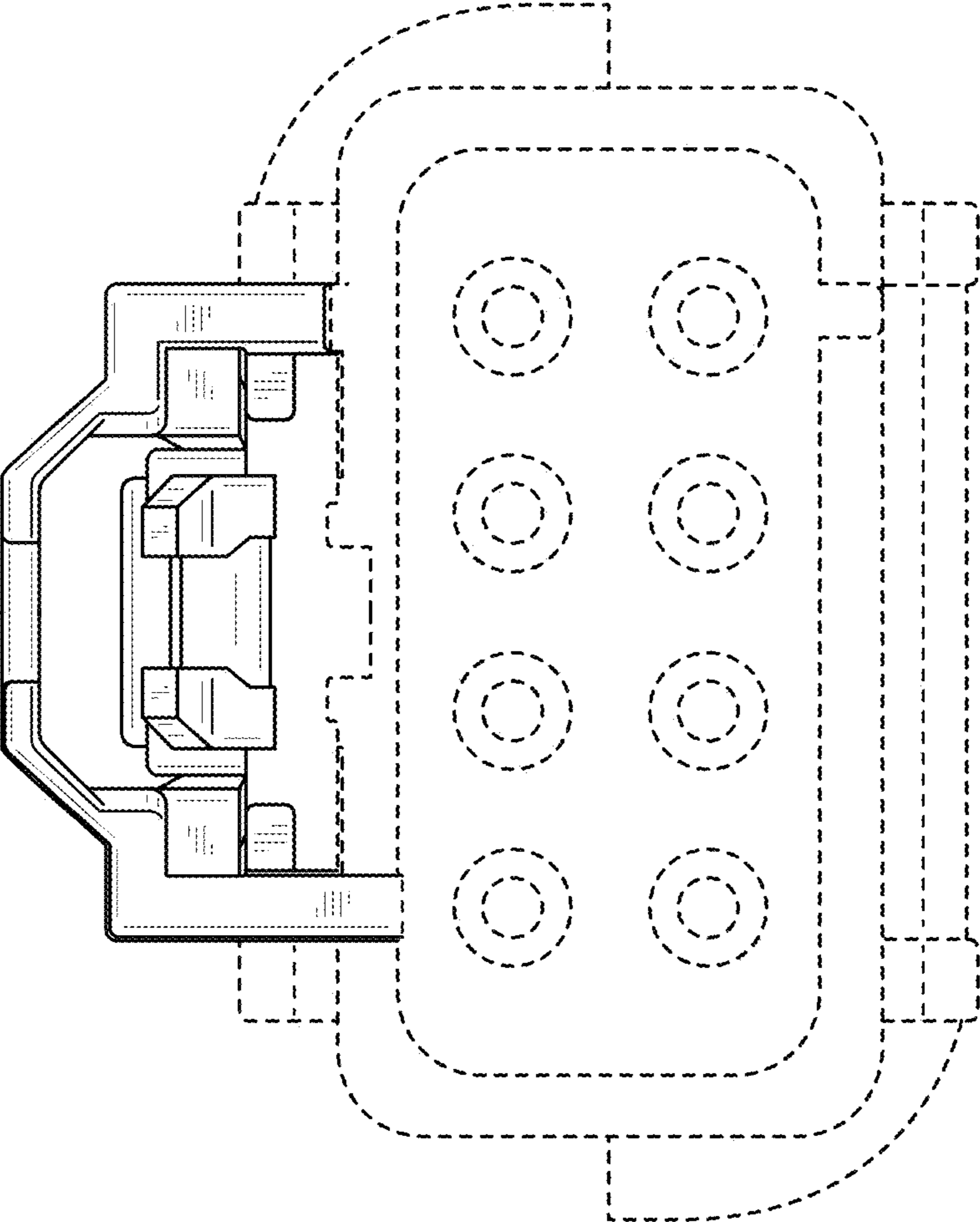


FIG. 7

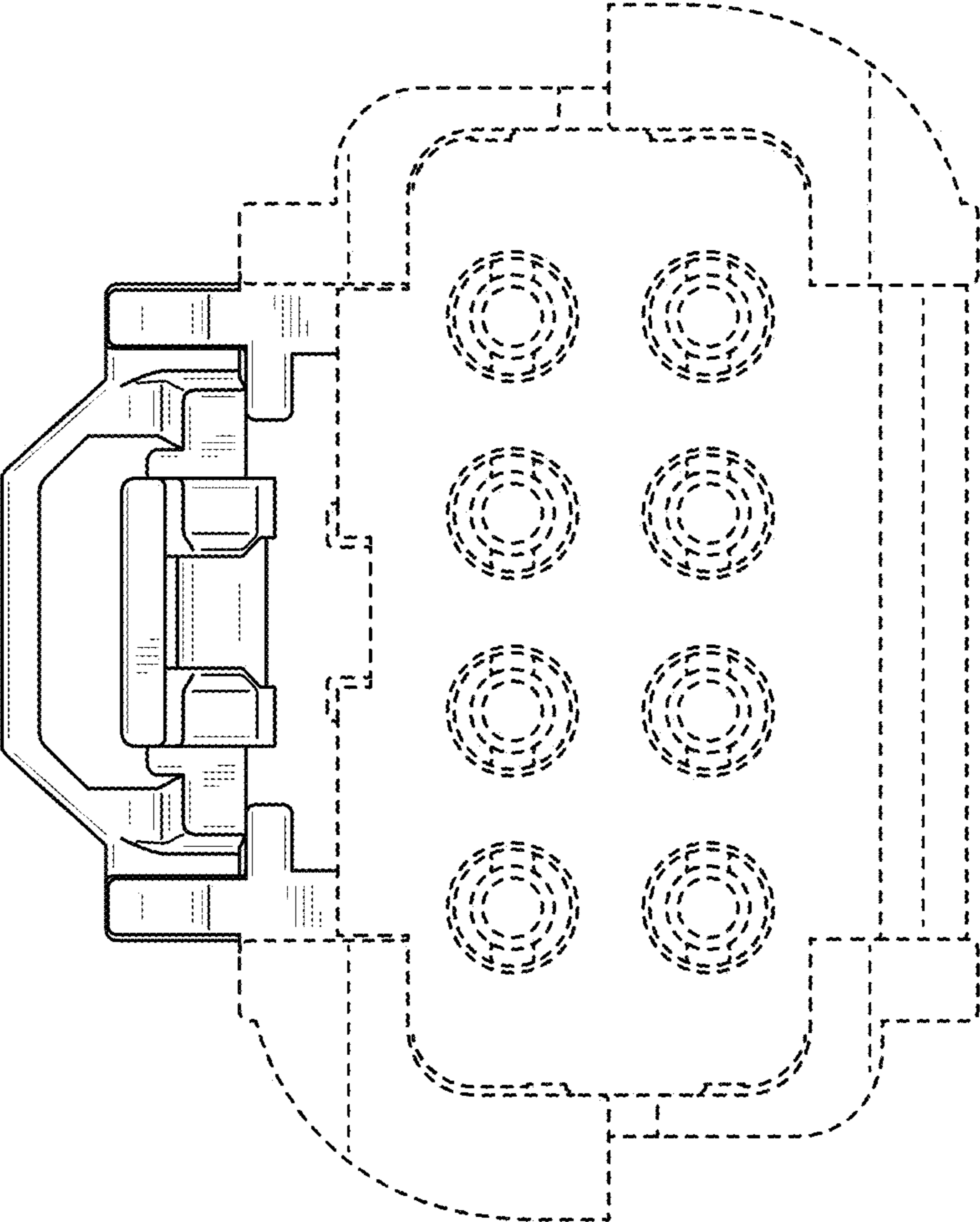


FIG. 8

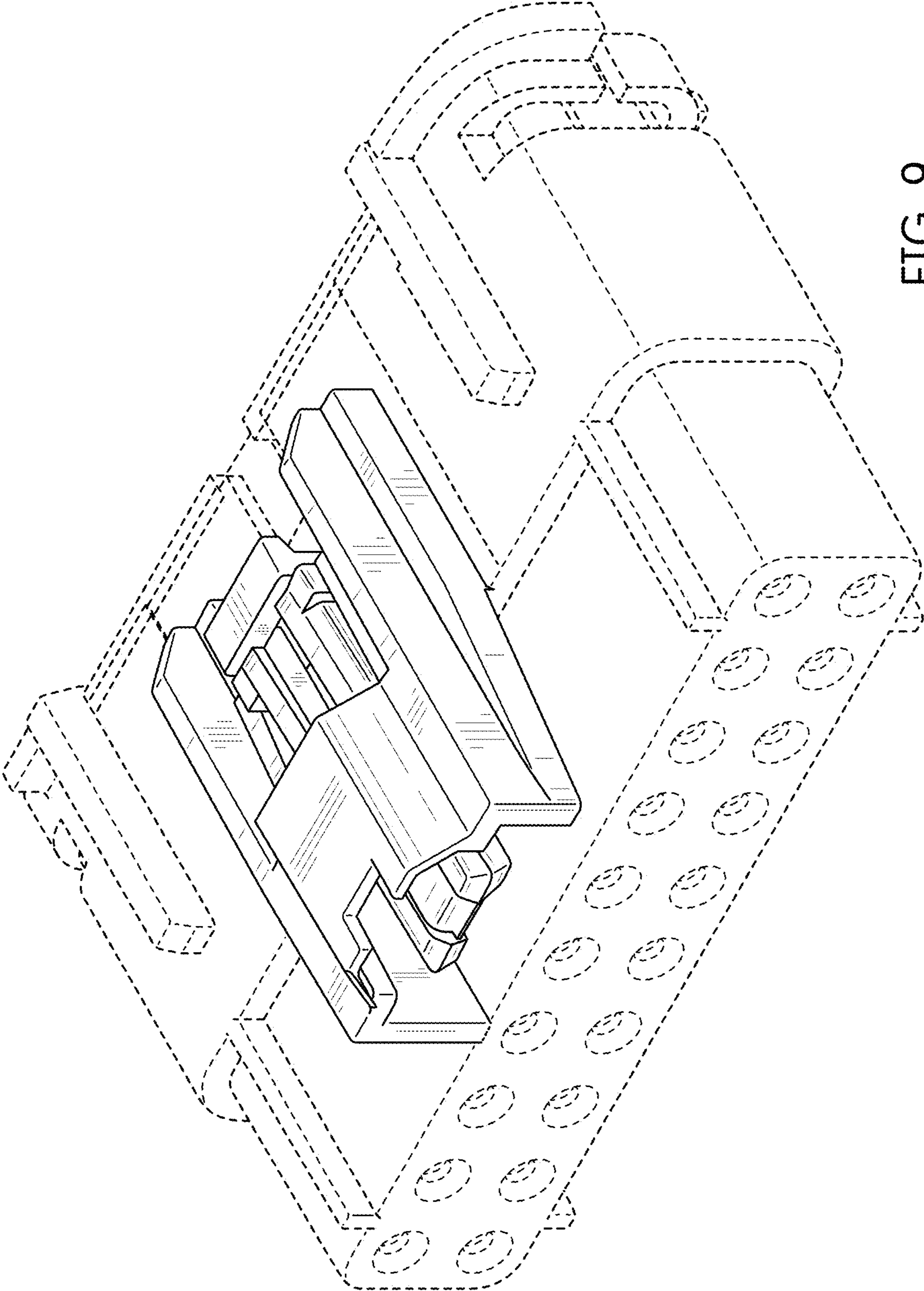


FIG. 9

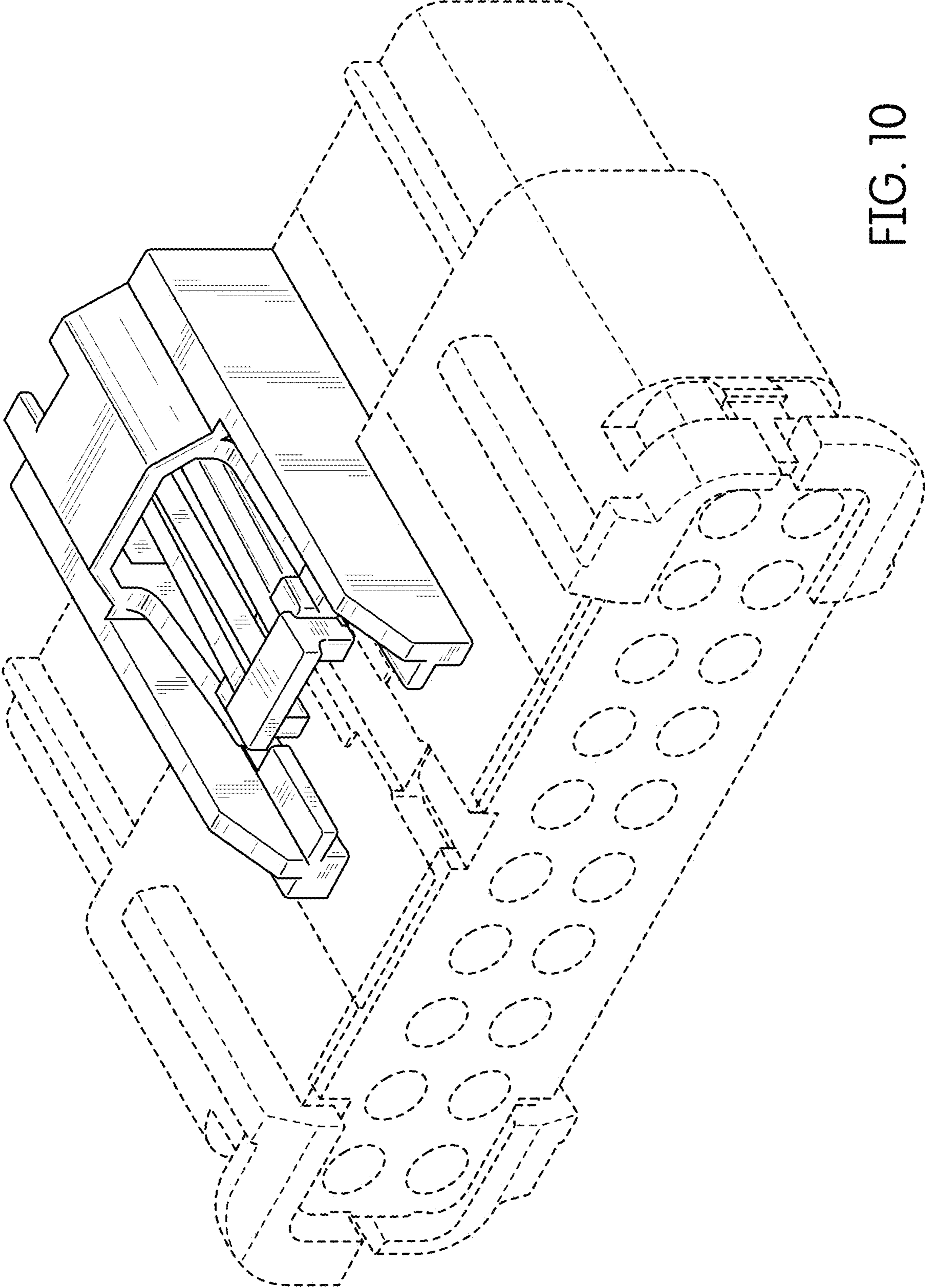


FIG. 10

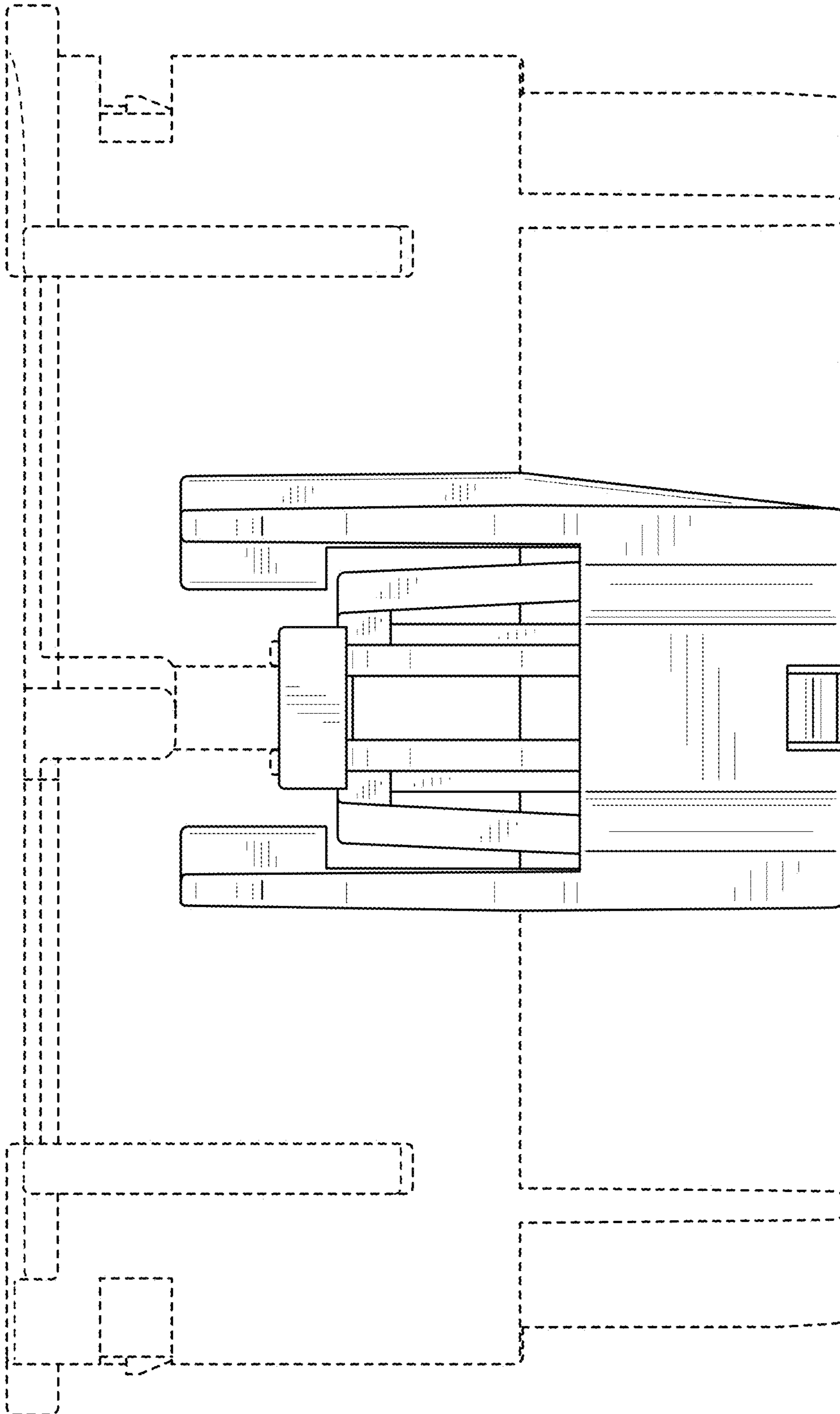


FIG. 11

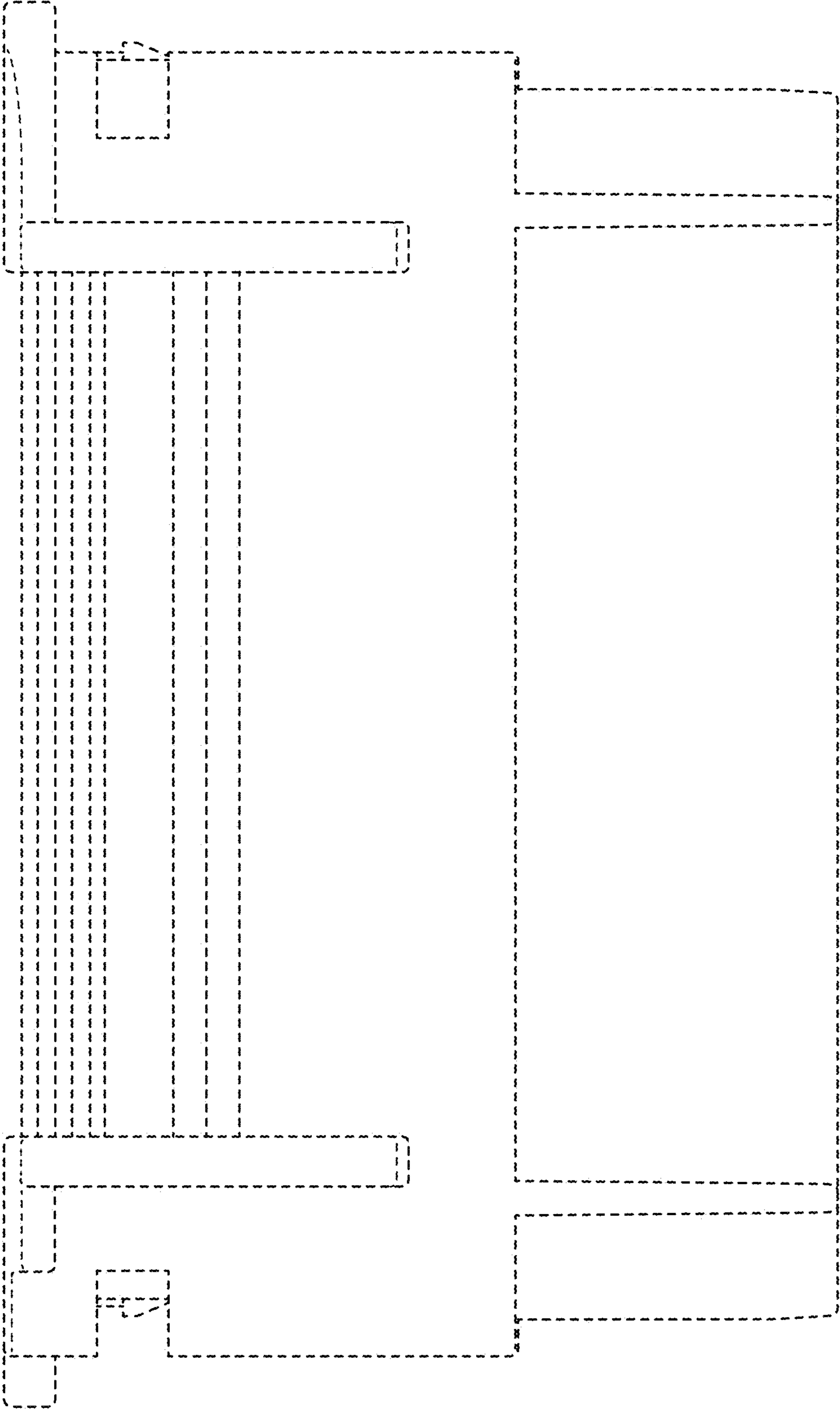


FIG. 12

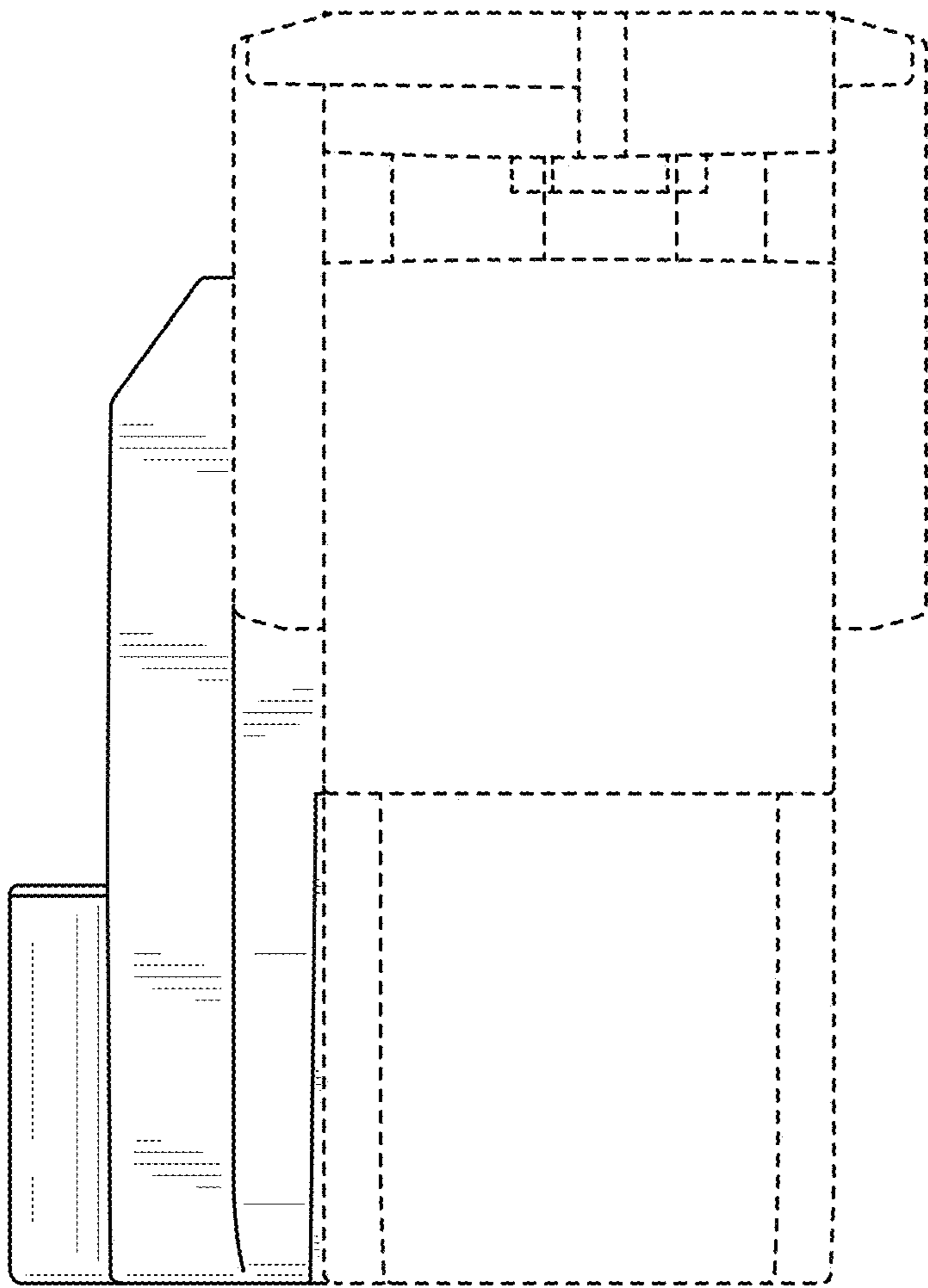


FIG. 13

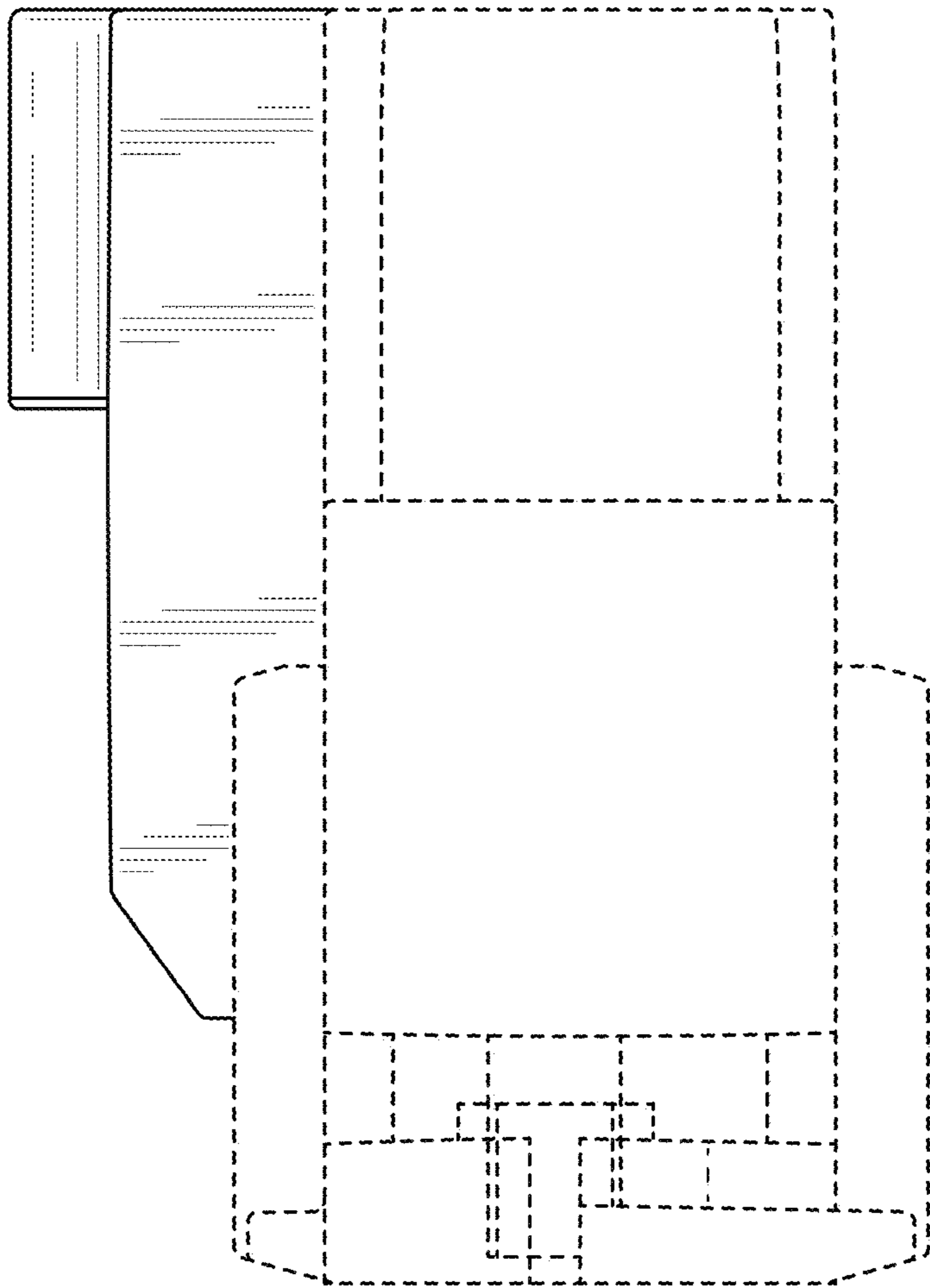


FIG. 14

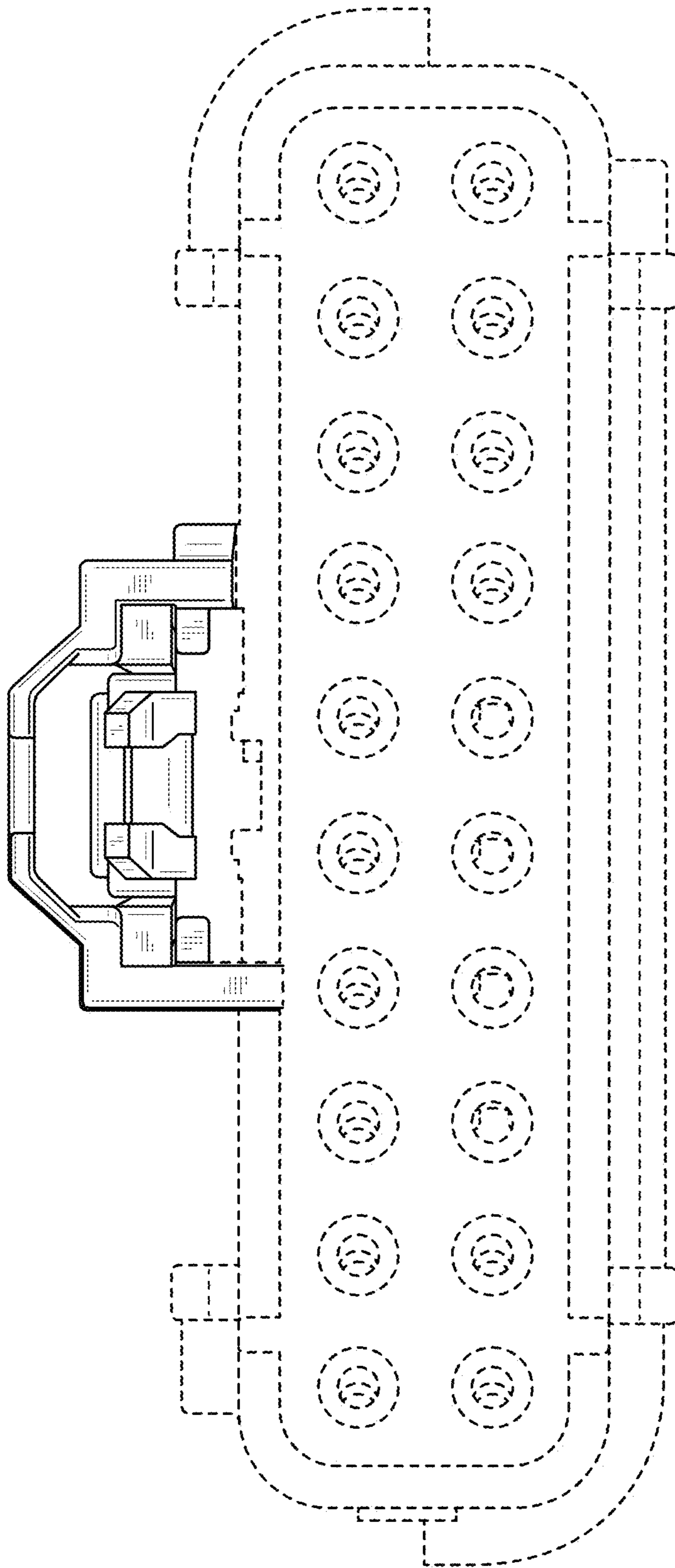


FIG. 15

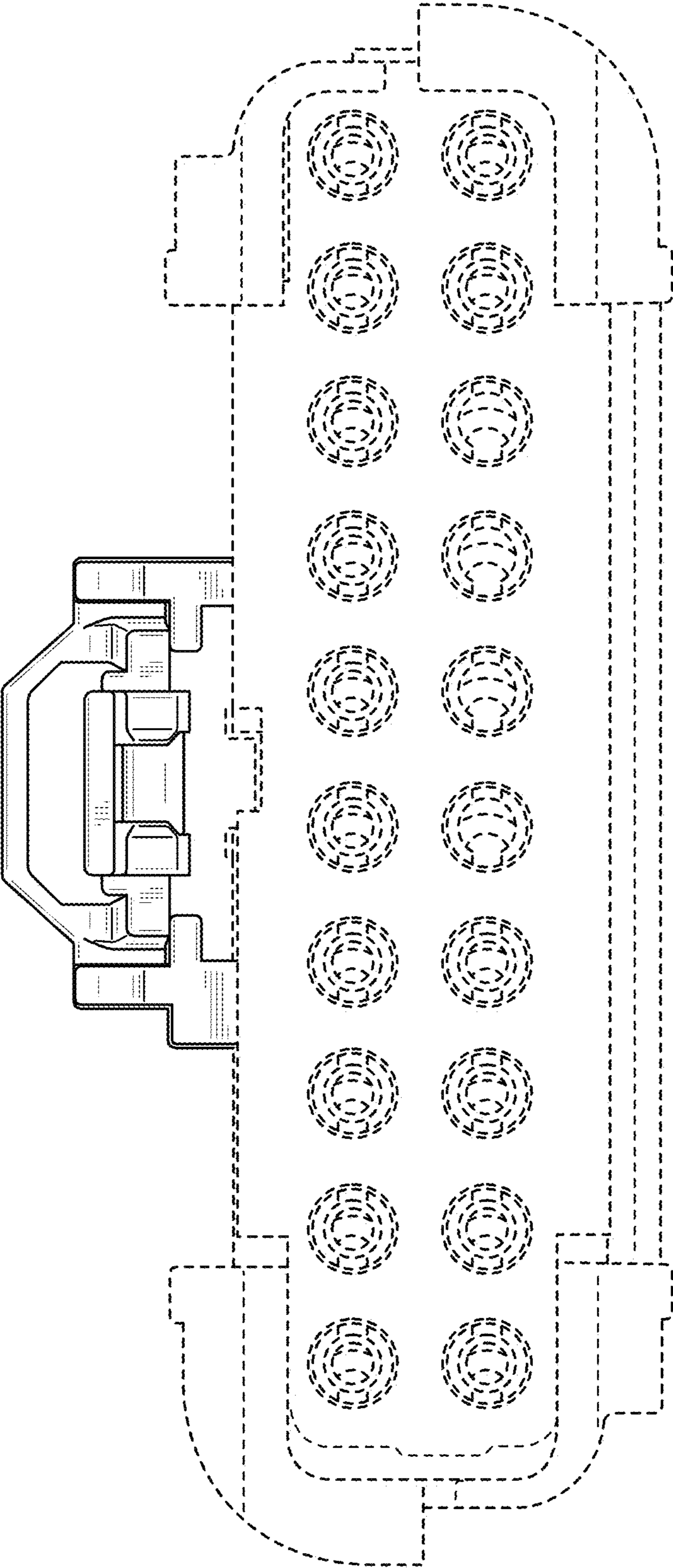


FIG. 16