



US00D925455S

(12) **United States Design Patent**
Altamura

(10) **Patent No.:** **US D925,455 S**
(45) **Date of Patent:** **** Jul. 20, 2021**

(54) **POWER CONNECTOR ASSEMBLY FOR ARTIFICIAL TREE LIGHTING**

(71) Applicant: **Seasonal Specialties, LLC**, Eden Prairie, MN (US)

(72) Inventor: **Steven J. Altamura**, Scarsdale, NY (US)

(73) Assignee: **Seasonal Specialties, LLC**, Eden Prairie, MN (US)

(**) Term: **15 Years**

(21) Appl. No.: **29/627,149**

(22) Filed: **Nov. 22, 2017**

(51) **LOC (13) Cl.** **13-03**

(52) **U.S. Cl.**
USPC **D13/133**

(58) **Field of Classification Search**
USPC D13/118, 123, 133, 134, 146, 147, 149, D13/151, 154, 156, 162, 164, 167, 168, D13/173, 184, 199
CPC F21V 19/00; F21V 21/00; F21V 21/002; F21V 21/08; F21V 23/00; F21V 23/06; F21V 31/00; H01R 4/02; H01R 4/12; H01R 4/18; H01R 13/00; H01R 13/50; H01R 13/504; H01R 13/508; H01R 13/52; H01R 13/58; H01R 13/631; H01R 13/639; H01R 13/64; H01R 43/26; A41G 1/00; A47G 33/06; A47G 33/12; F21S 4/00; F21S 6/00

See application file for complete search history.

(56) **References Cited**

U.S. PATENT DOCUMENTS

4,275,374 A 6/1981 Chaucer
5,137,465 A * 8/1992 Chwang F21V 19/0005
313/318.01
5,147,227 A * 9/1992 Yurko H01R 13/41
439/733.1

5,281,158 A 1/1994 Lin
D459,301 S * 6/2002 Fan Wong D13/133
D460,043 S * 7/2002 Fan Wong D13/133
6,951,405 B2 10/2005 Yao
D513,406 S * 1/2006 Rodrigues D13/133

(Continued)

FOREIGN PATENT DOCUMENTS

WO 2013091920 6/2013

Primary Examiner — Shawn T Gingrich

(74) *Attorney, Agent, or Firm* — Hamre, Schumann, Mueller & Larson, P.C

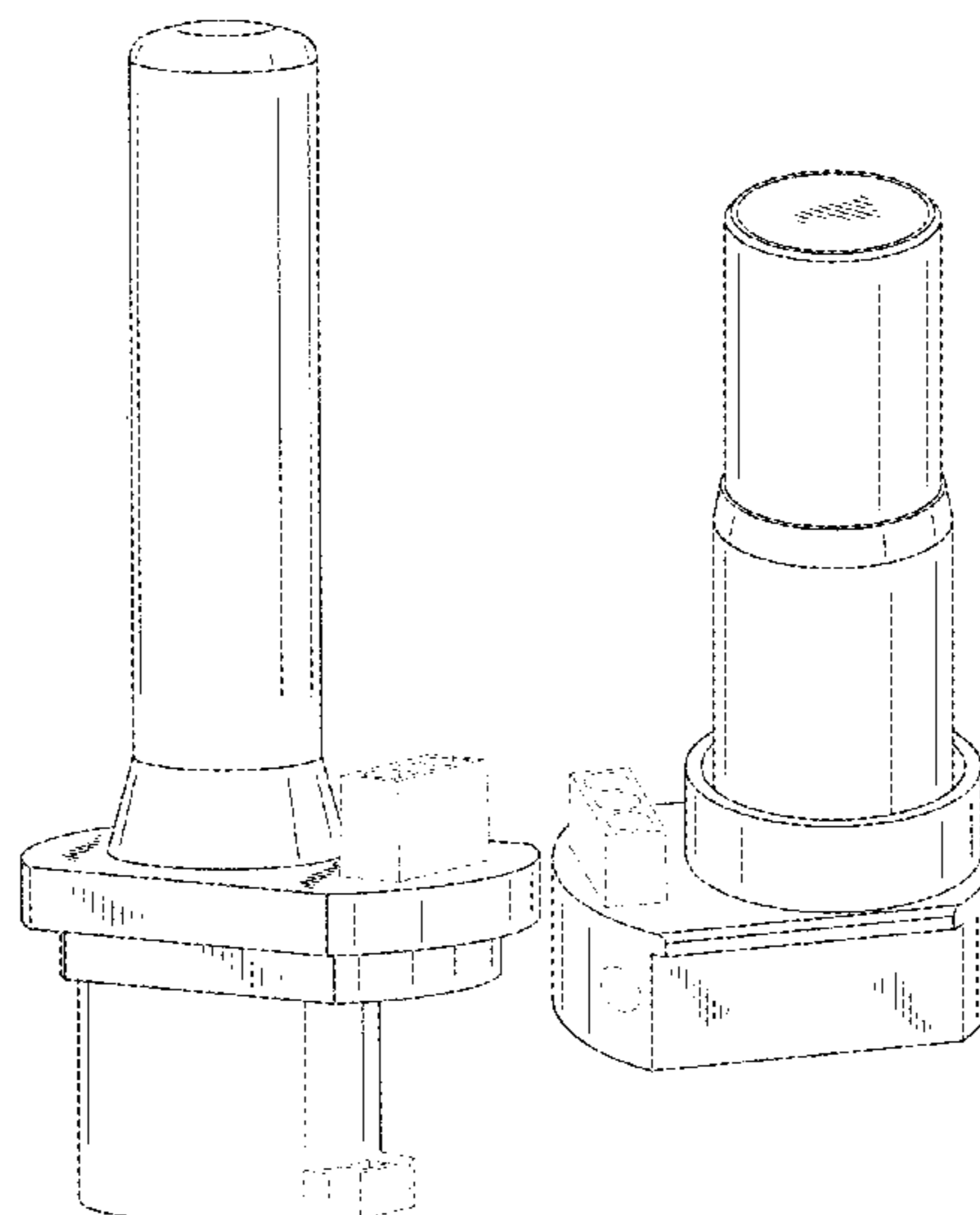
(57) **CLAIM**

The ornamental design for a power connector assembly for artificial tree lighting, as shown and described.

DESCRIPTION

FIG. 1 is a perspective view of the bottom piece of a power connector assembly for artificial tree lighting showing my new design;
FIG. 2 is a front view of FIG. 1 thereof;
FIG. 3 is a back view of FIG. 1 thereof;
FIG. 4 is a right side view of FIG. 1, the left side being a mirror image thereof;
FIG. 5 is a top view of FIG. 1 thereof, and
FIG. 6 is a bottom view of FIG. 1 thereof.
FIG. 7 is a perspective view of the top piece of a power connector assembly for artificial tree lighting showing my new design;
FIG. 8 is a front view of FIG. 7 thereof;
FIG. 9 is a back view of FIG. 7 thereof;
FIG. 10 is a right side view of FIG. 7, the left side being a mirror image thereof;
FIG. 11 is a top view of FIG. 7 thereof; and,
FIG. 12 is a bottom view of FIG. 7 thereof.
The broken line portions in the figures illustrate the portions of the design that form no part of the claimed design.

1 Claim, 8 Drawing Sheets



(56)

References Cited

U.S. PATENT DOCUMENTS

7,052,156 B2 * 5/2006 Primeau A47G 33/06
362/123
8,053,042 B1 * 11/2011 Loomis A47G 33/06
428/20
8,753,152 B1 * 6/2014 Tsai H01R 13/627
439/668
8,936,379 B1 1/2015 Chen
9,044,056 B2 6/2015 Chen
9,209,546 B1 * 12/2015 Gibboney, Jr. H01R 13/6278
9,222,656 B2 12/2015 Chen
9,431,765 B2 * 8/2016 Tao H01R 13/6456
9,439,528 B2 9/2016 Chen
9,577,376 B1 2/2017 Tsai
9,620,896 B1 4/2017 Dubbaka
9,671,074 B2 6/2017 Chen
9,883,566 B1 1/2018 Chen
9,883,706 B2 2/2018 Chen
9,894,949 B1 2/2018 Chen
9,979,126 B2 5/2018 Takamura
D831,202 S * 10/2018 Ratner D24/129
10,305,237 B1 5/2019 Li
10,333,252 B1 6/2019 Altamura
10,615,555 B1 * 4/2020 Altamura F21V 23/06
2003/0082944 A1 * 5/2003 Lappohn H01R 9/18
439/381
2008/0048479 A1 * 2/2008 Yoshida H01R 13/627
297/410
2014/0287618 A1 9/2014 Chen
2014/0355277 A1 * 12/2014 Lin F21V 21/002
362/391
2016/0211603 A1 * 7/2016 Gates H01R 4/18
2017/0373420 A1 * 12/2017 Zhou H01R 13/6273
2018/0331471 A1 * 11/2018 Zhang F16L 33/30

* cited by examiner

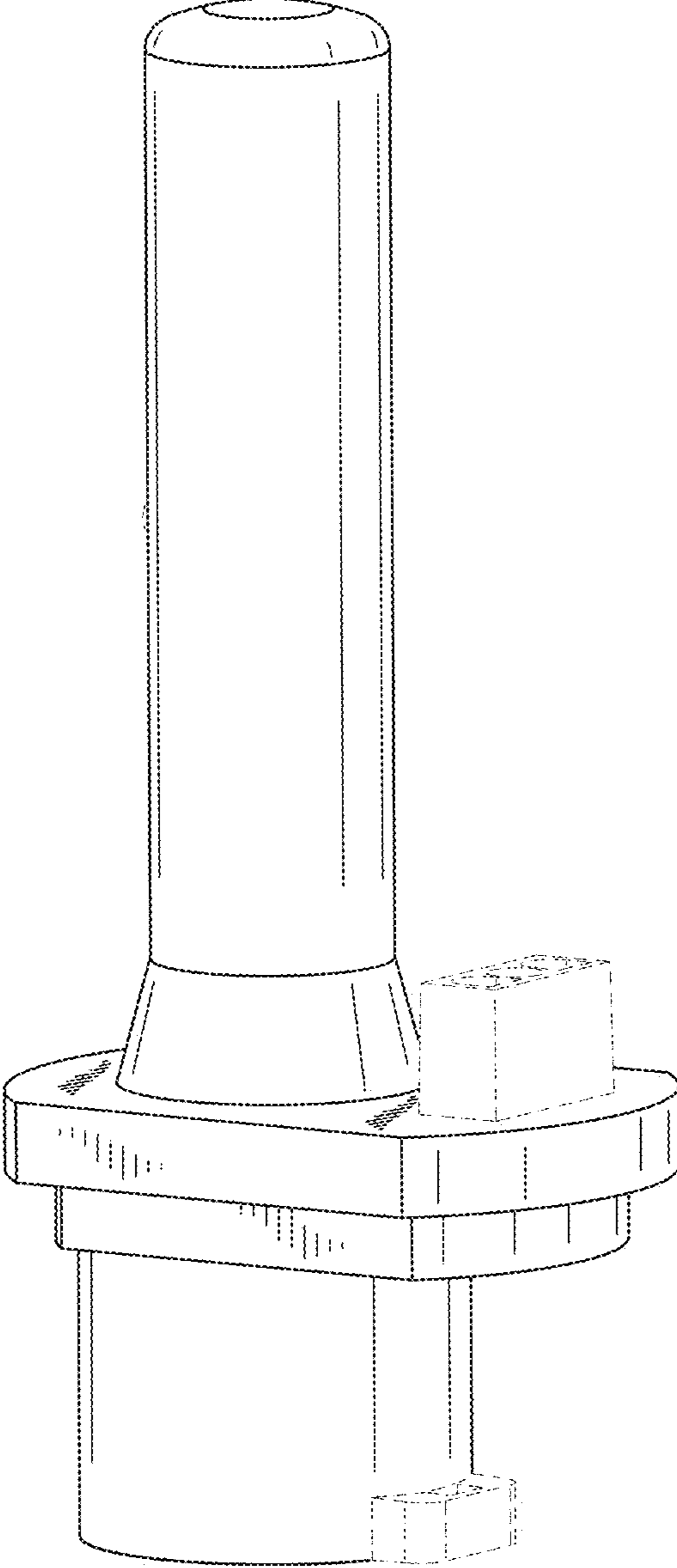


FIG. 1

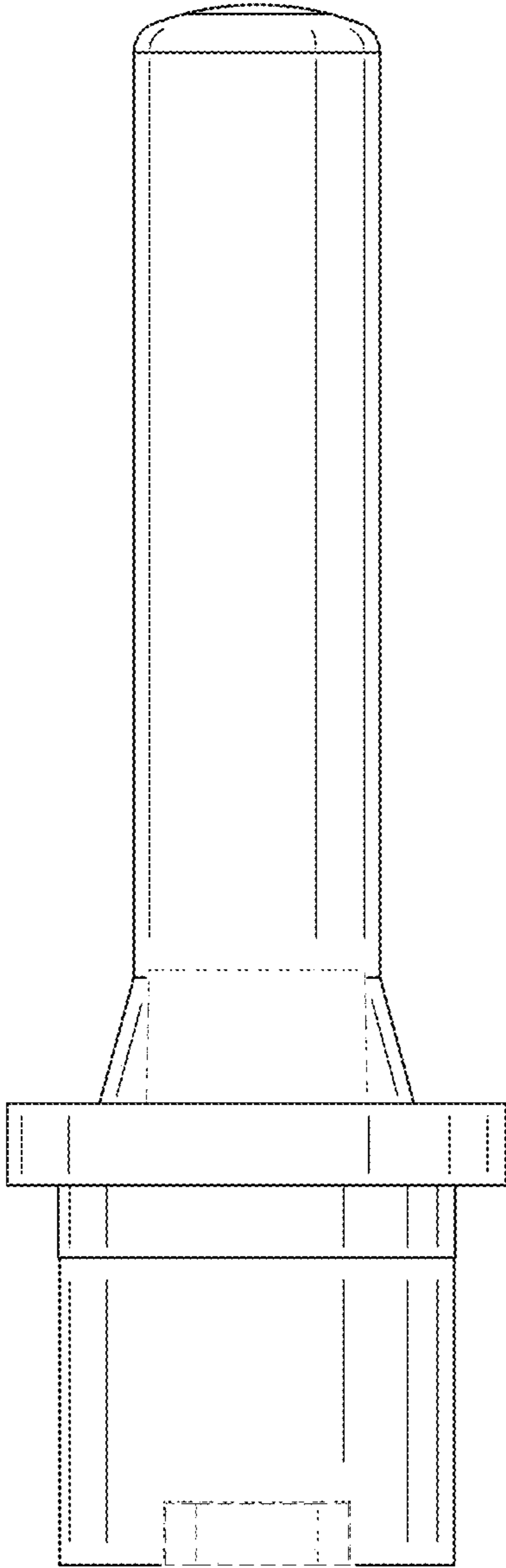


FIG. 2

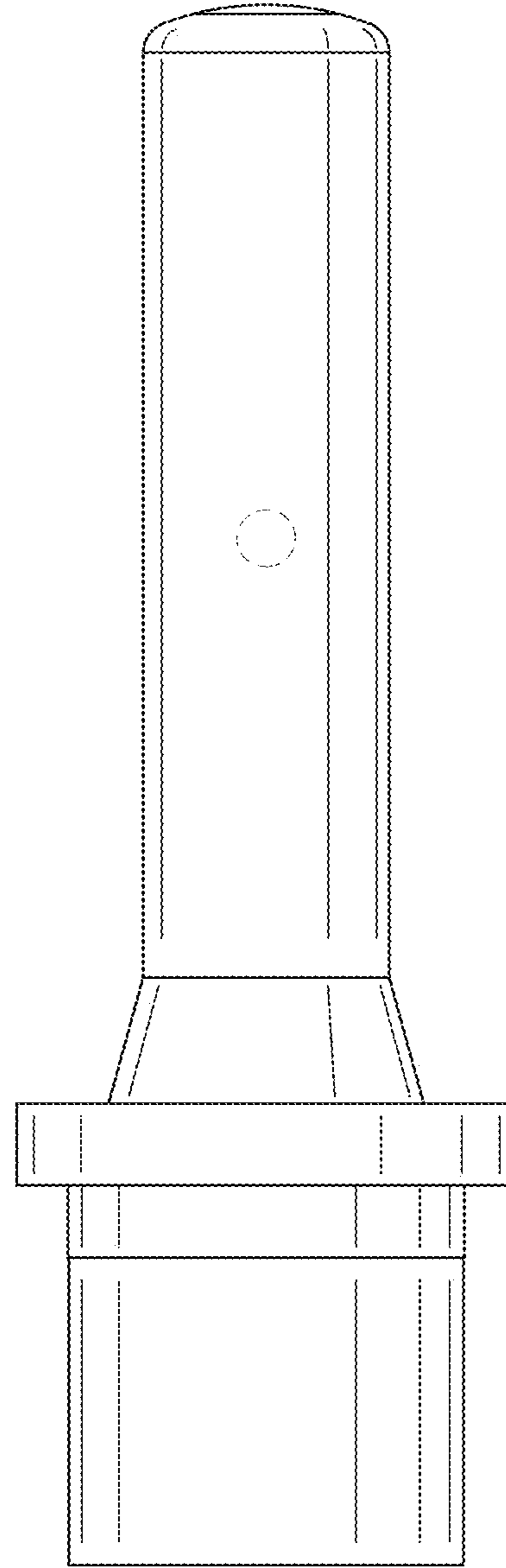


FIG. 3

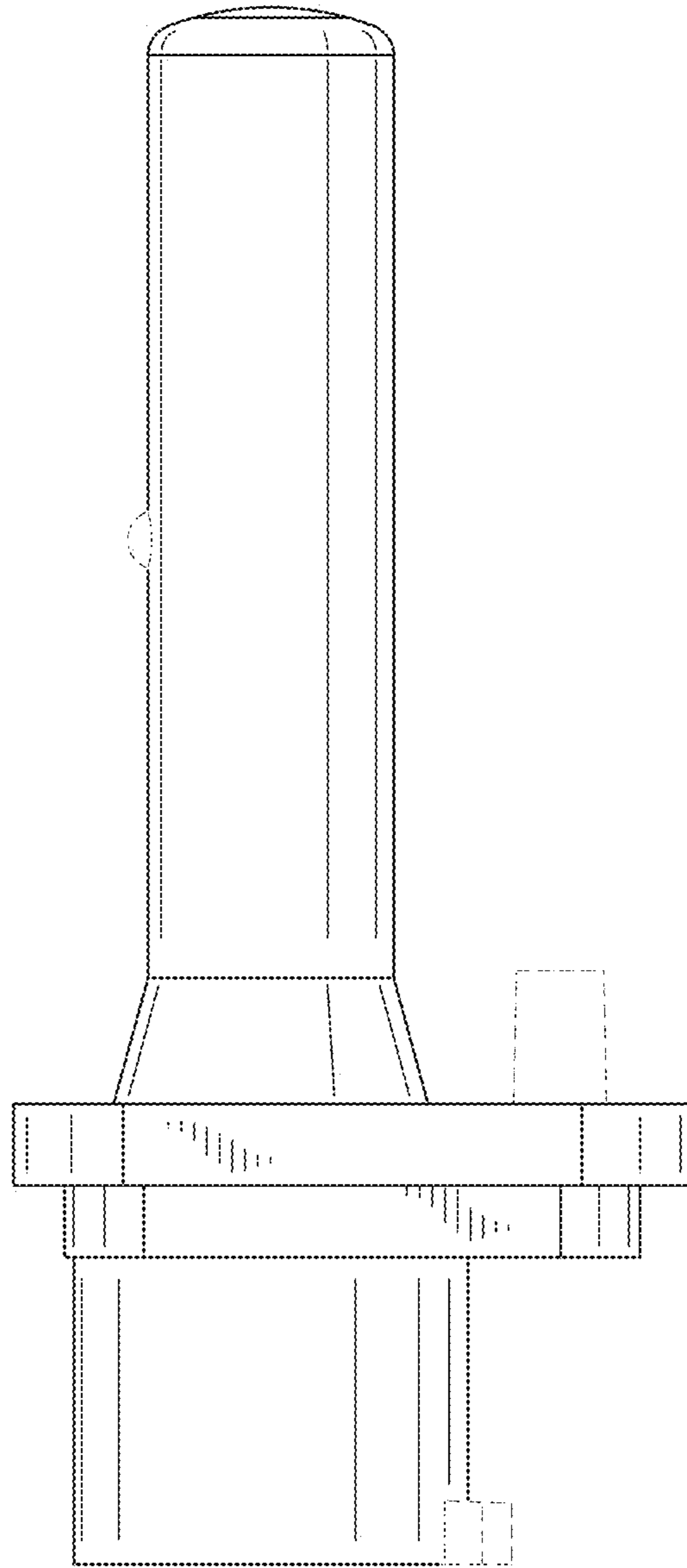


FIG. 4

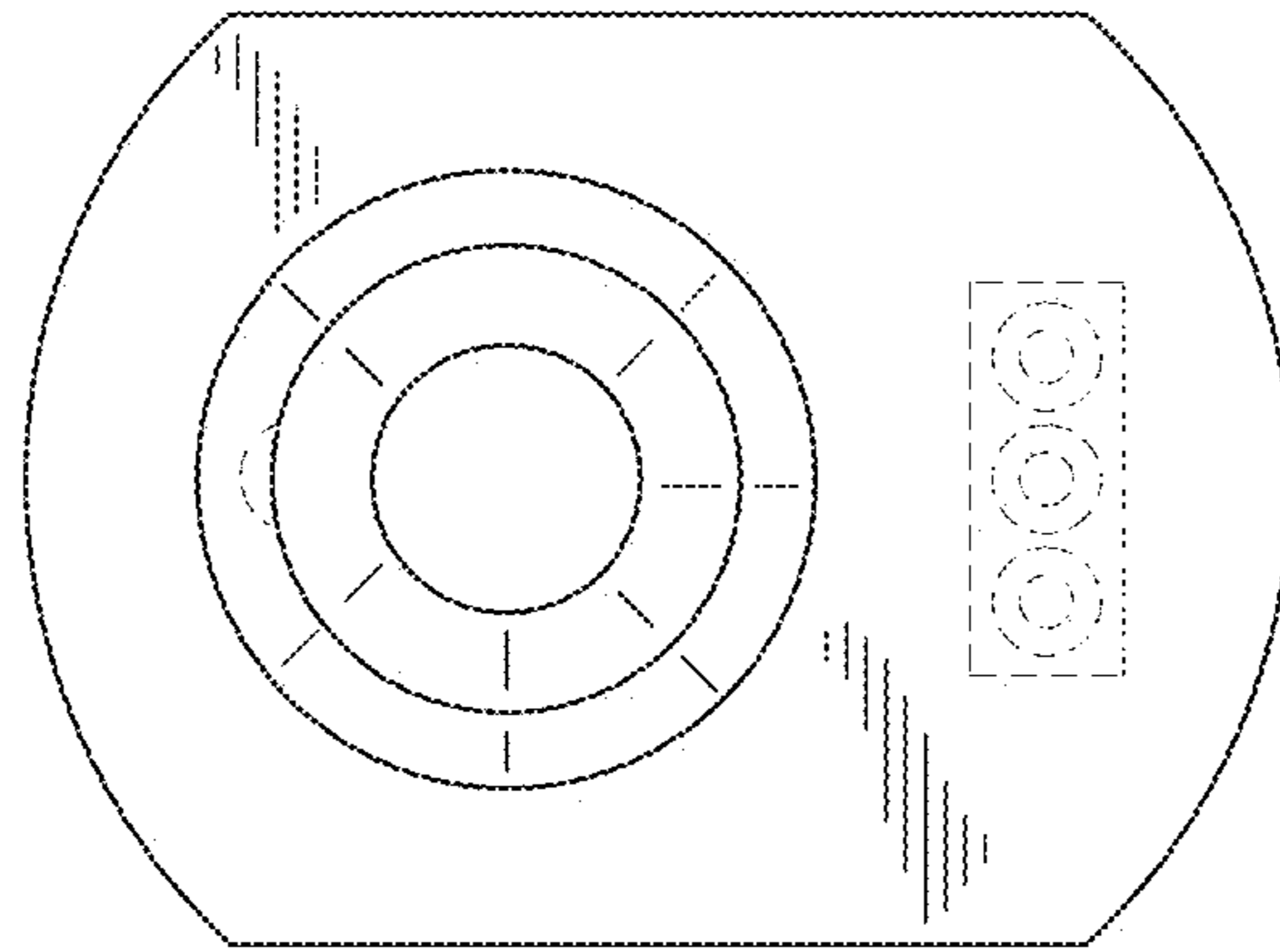


FIG. 5

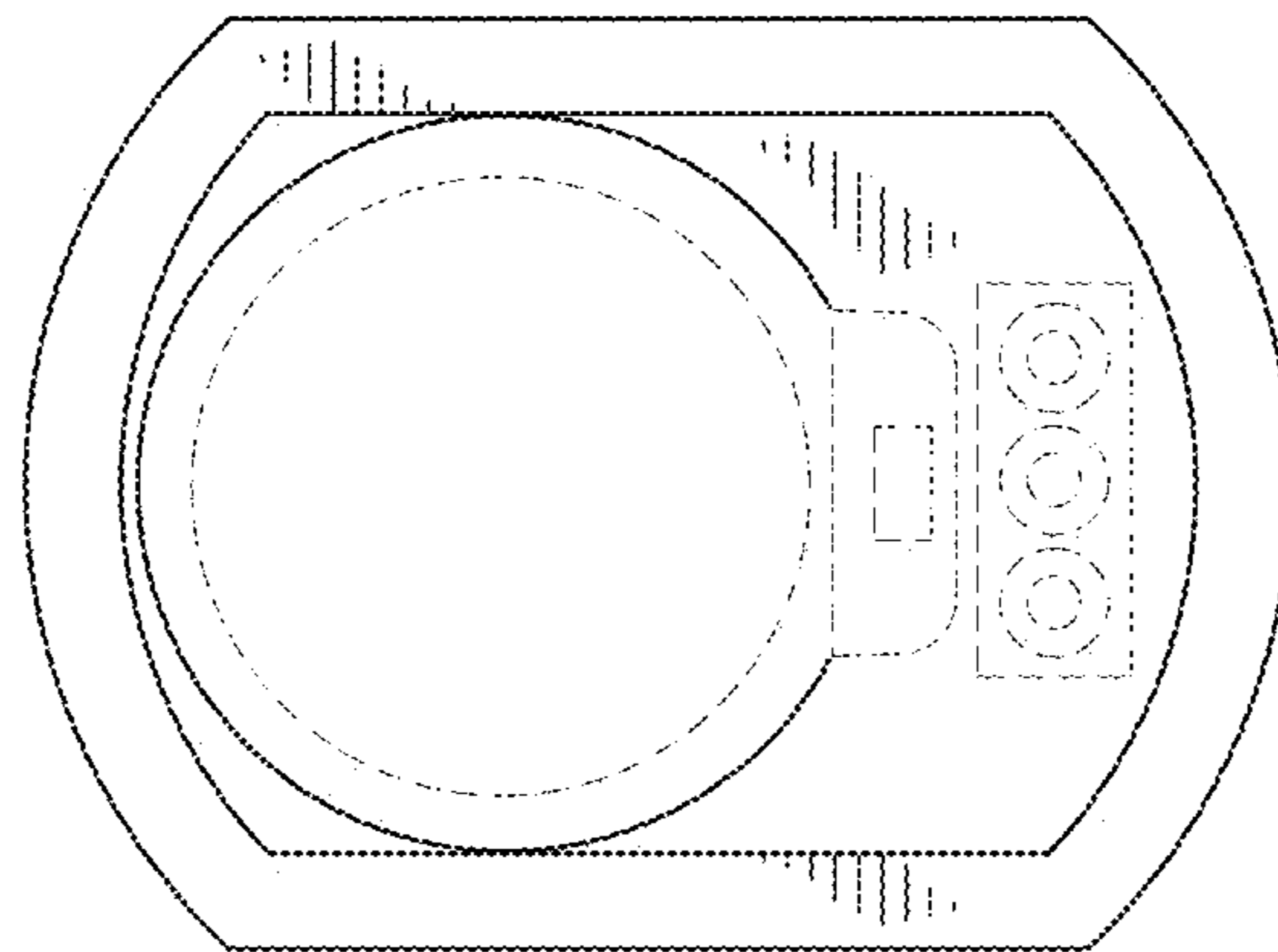


FIG. 6

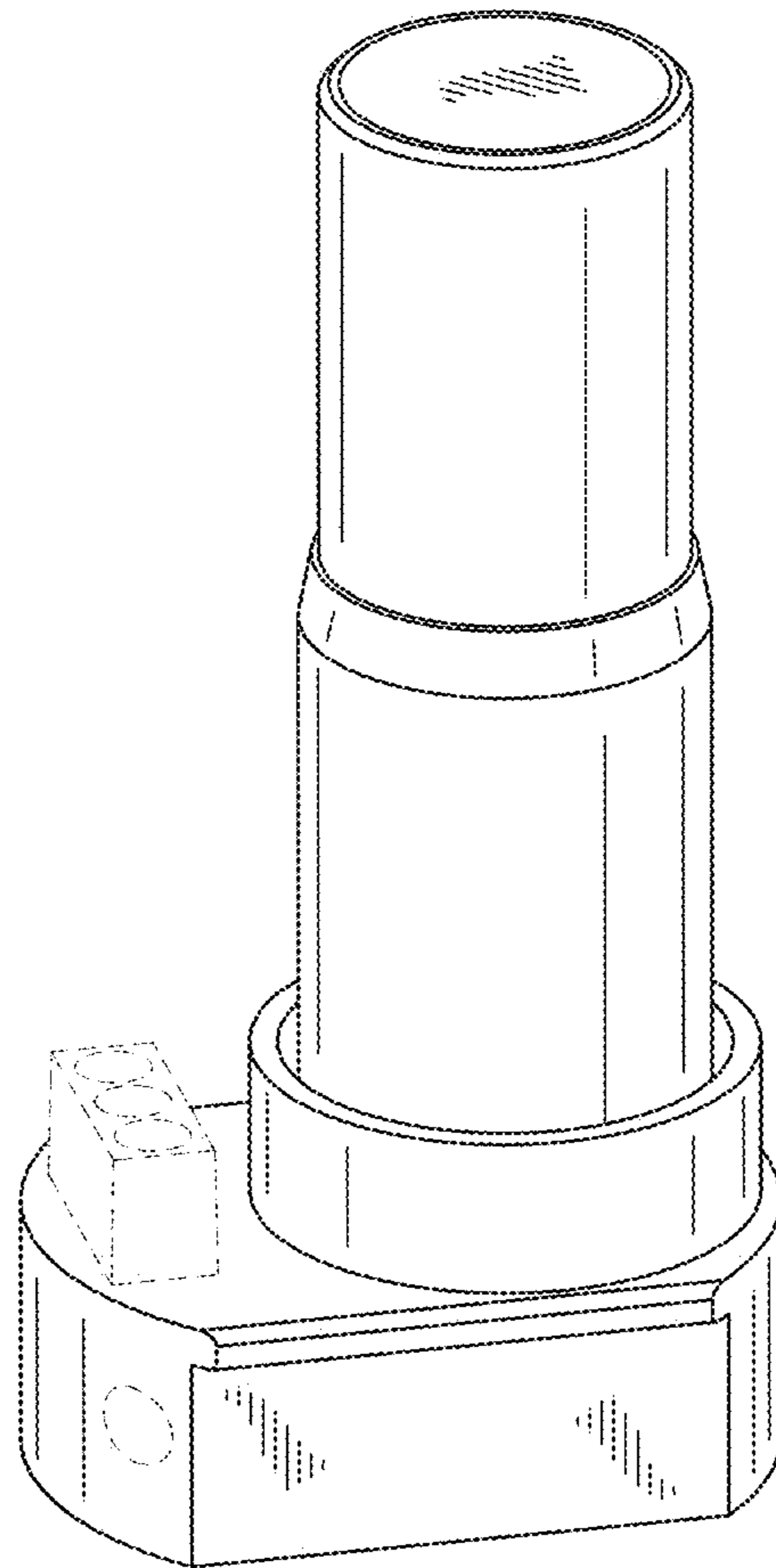


FIG. 7

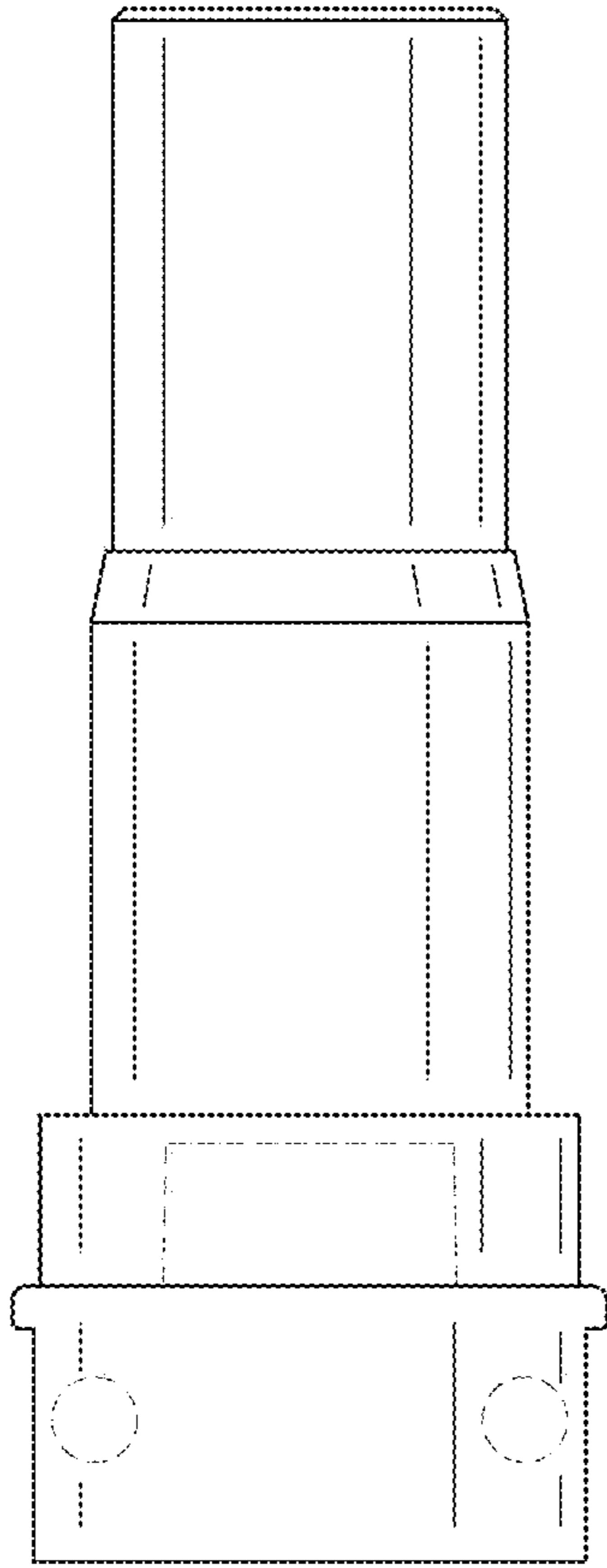


FIG. 8

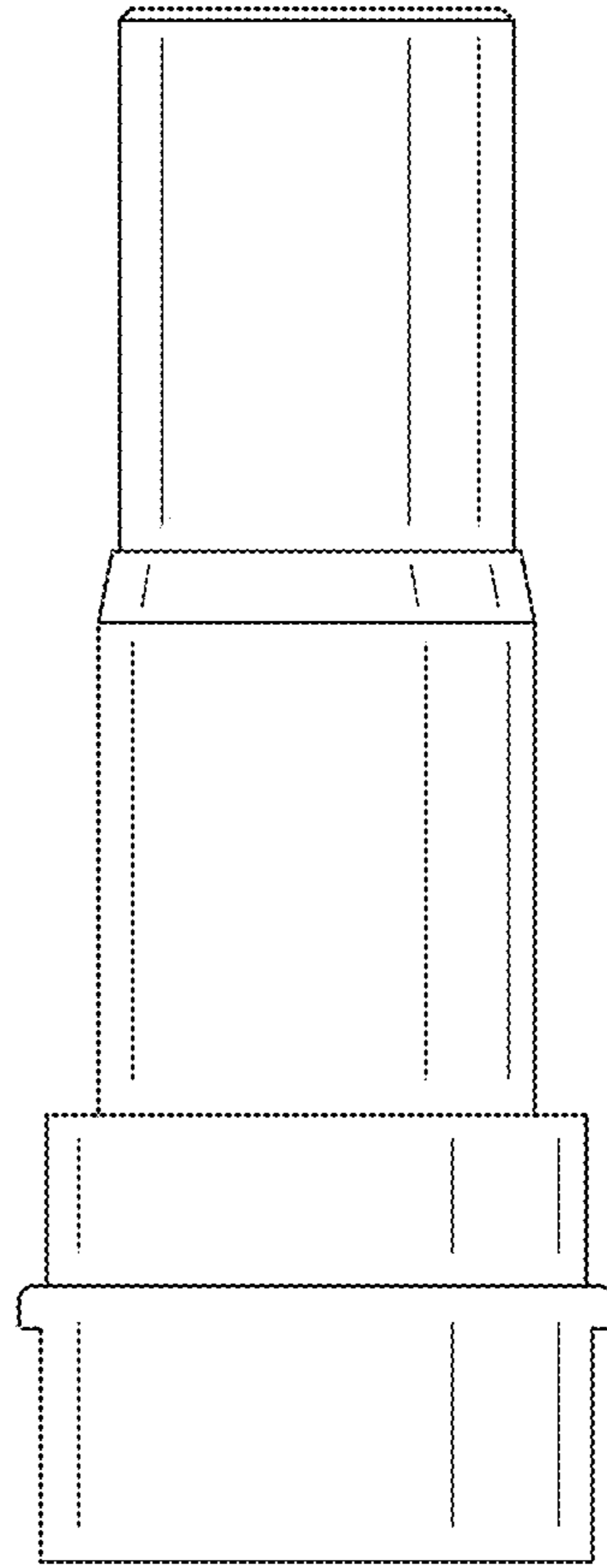


FIG. 9

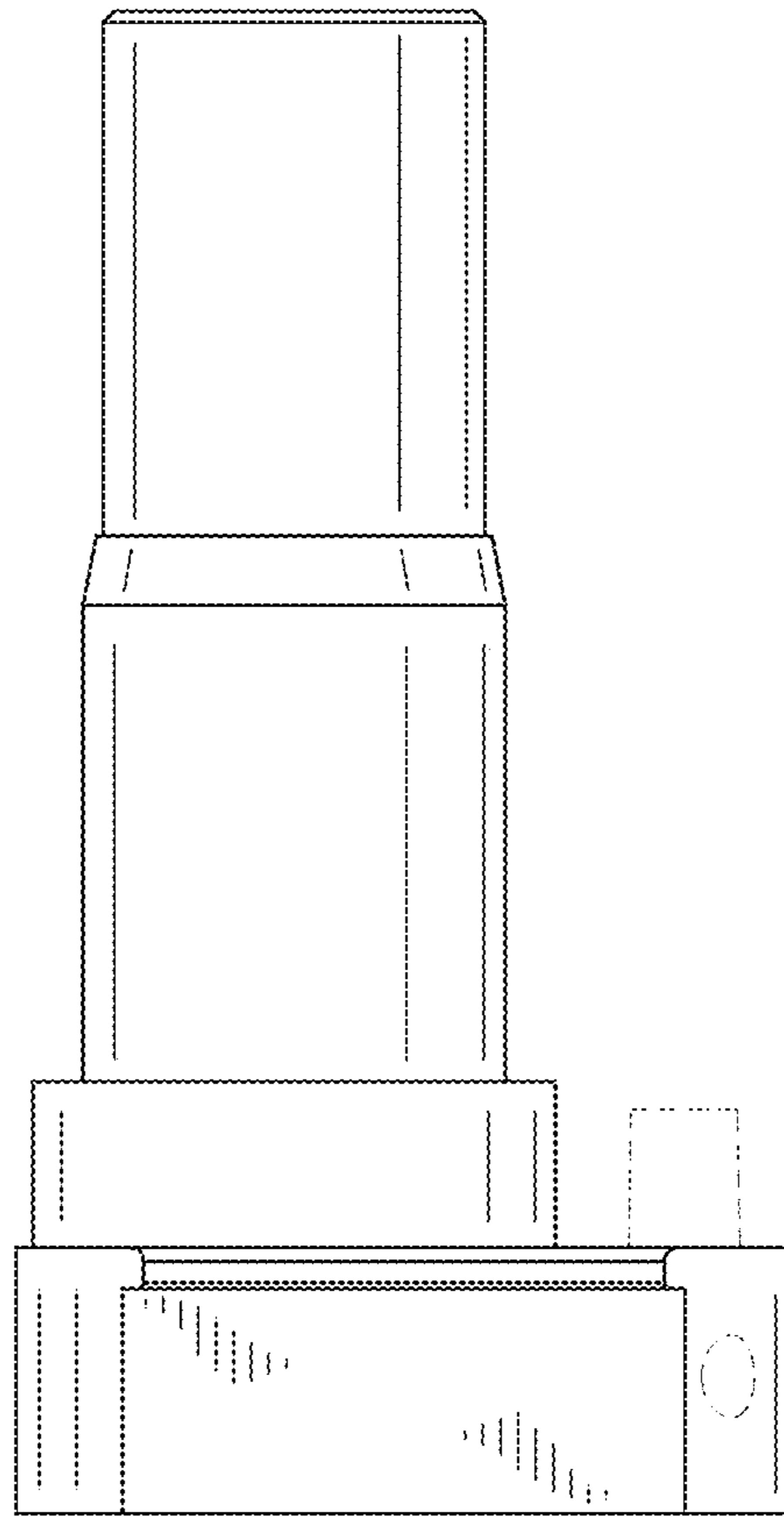


FIG. 10

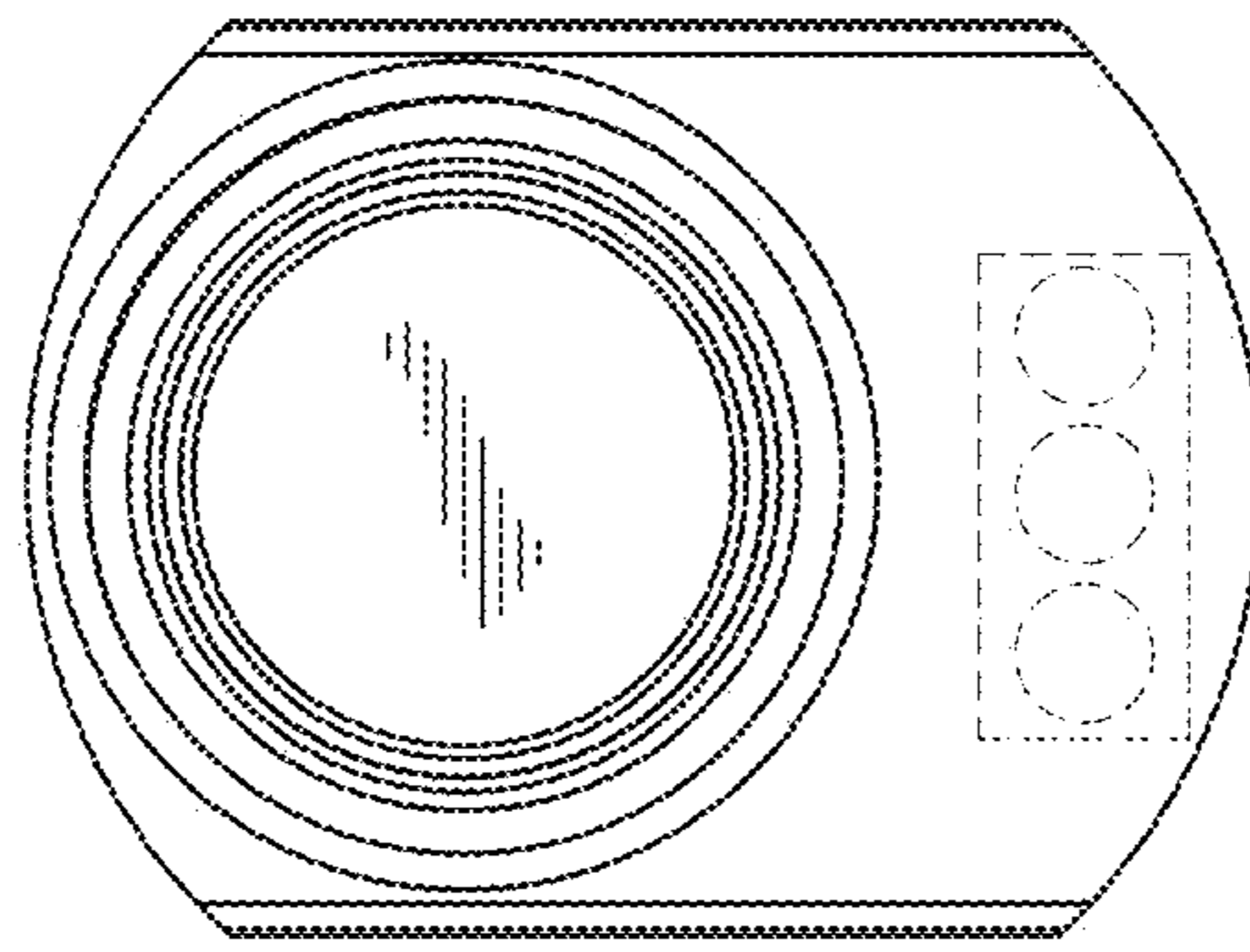


FIG. 11

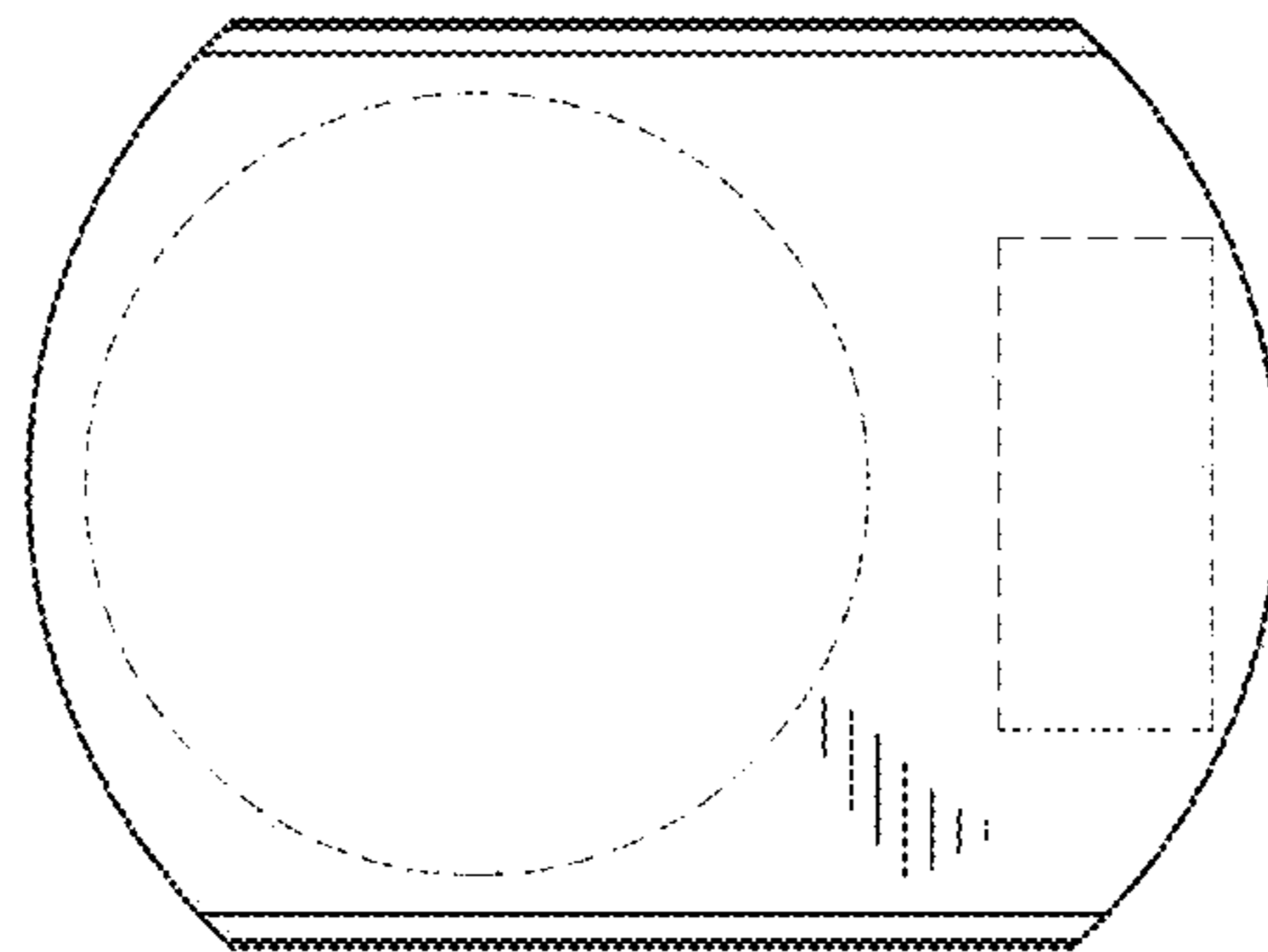


FIG. 12