



US00D925454S

(12) **United States Design Patent** (10) **Patent No.:** **US D925,454 S**
Wrobel et al. (45) **Date of Patent:** **** Jul. 20, 2021**

(54) **AUXILIARY WIRING DEVICE FOR AN I/O MODULE**

(71) Applicant: **Rockwell Automation Asia Pacific Business Ctr. Pte. Ltd.**, Singapore (SG)

(72) Inventors: **Adam M. Wrobel**, Gates Mills, OH (US); **Douglas A. Lostoski**, Richfield, OH (US); **Srinivasan Melkote**, Singapore (SG); **Rosh Chathoth Sreedharan**, Singapore (SG); **Soon Seng Kang**, Singapore (SG); **Wai Chan**, Singapore (SG)

(73) Assignee: **Rockwell Automation Asia Pacific Business Center Pte. Ltd.**, Singapore (SG)

(**) Term: **15 Years**

(21) Appl. No.: **29/625,684**

(22) Filed: **Nov. 11, 2017**

(51) **LOC (13) Cl.** **13-03**

(52) **U.S. Cl.**
USPC **D13/133; D13/147**

(58) **Field of Classification Search**
USPC D13/110, 118, 123, 133, 146, 147, 152, D13/154, 156, 158, 159, 161, 173, 177, D13/183, 199
CPC G08B 21/00; H01R 13/00; H01R 13/60; H01R 13/62; H01R 13/627; H01R 13/6272; H05K 7/14; H05K 7/68; H05K 7/69; H05K 9/2675

See application file for complete search history.

(56) **References Cited**

U.S. PATENT DOCUMENTS

6,027,379 A 2/2000 Hohorst
D537,535 S * 2/2007 Decicio D25/119

D593,501 S * 6/2009 Sweeney D13/155
D594,826 S * 6/2009 Sweeney D13/155
D618,619 S * 6/2010 Walter D13/147
9,055,688 B2 6/2015 Molnar et al.
9,325,110 B2 4/2016 Lostoski et al.
D792,857 S 7/2017 Molnar
D795,819 S * 8/2017 Okamoto D13/154
10,194,553 B1 * 1/2019 Chakraborty H01R 13/6272
D862,394 S * 10/2019 Hernandez D13/147
10,667,422 B2 * 5/2020 Chakraborty H05K 7/026
D901,397 S * 11/2020 Hernandez D13/147
D908,087 S * 1/2021 Lostoski D13/133

(Continued)

Primary Examiner — Shawn T Gringrich
(74) Attorney, Agent, or Firm — Fay Sharpe LLP

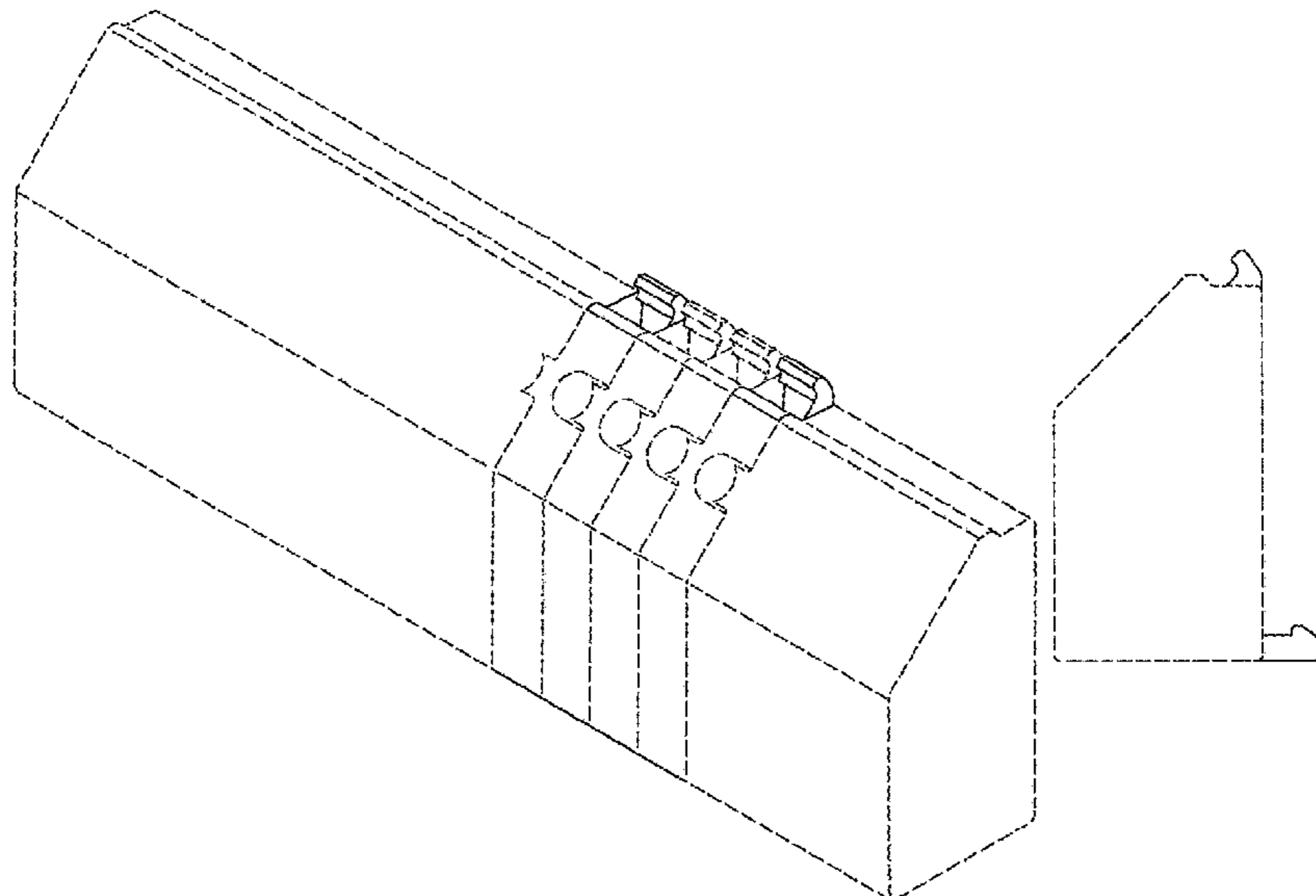
(57) **CLAIM**

The ornamental design for an auxiliary wiring device for an I/O module, as shown and described.

DESCRIPTION

FIG. 1 is an isometric view of an auxiliary wiring device for an I/O module showing our new design;
FIG. 2 is a bottom view of the auxiliary wiring device for an I/O module showing our new design;
FIG. 3 is a rear view of an auxiliary wiring device for an I/O module showing our new design;
FIG. 4 is a front view of an auxiliary wiring device for an I/O module showing our new design;
FIG. 5 is a top view of an auxiliary wiring device for an I/O module showing our new design;
FIG. 6 is a left side view of an auxiliary wiring device for an I/O module showing our new design; and,
FIG. 7 is a right side view of an auxiliary wiring device for an I/O module showing our new design.
Broken lines in the drawings are used to depict environment and do not form any part of the claimed design.

1 Claim, 4 Drawing Sheets



(56)

References Cited

U.S. PATENT DOCUMENTS

D909,976 S * 2/2021 Bonner D13/147
2020/0212607 A1* 7/2020 Hayashi H01R 9/2408

* cited by examiner

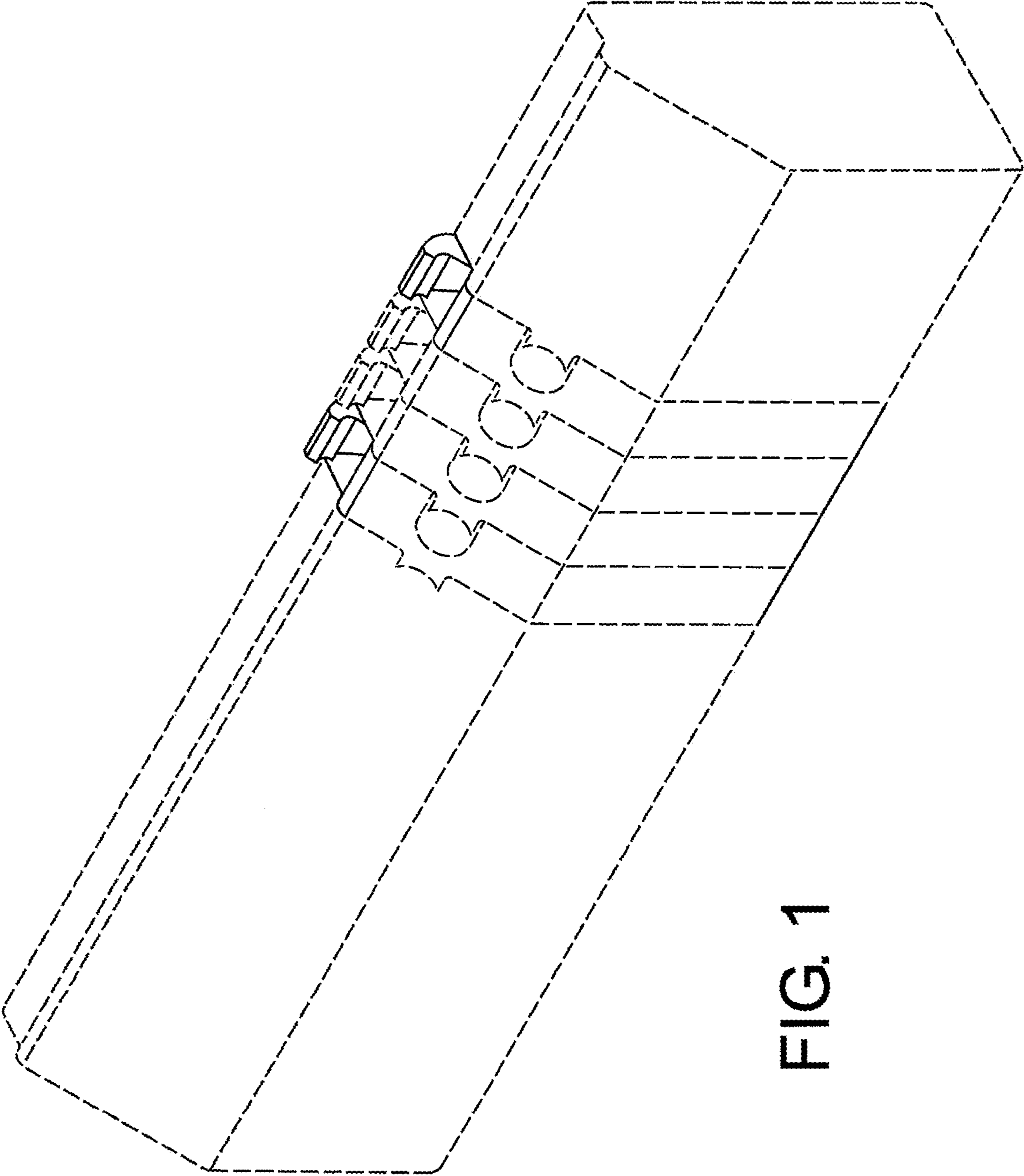


FIG. 1

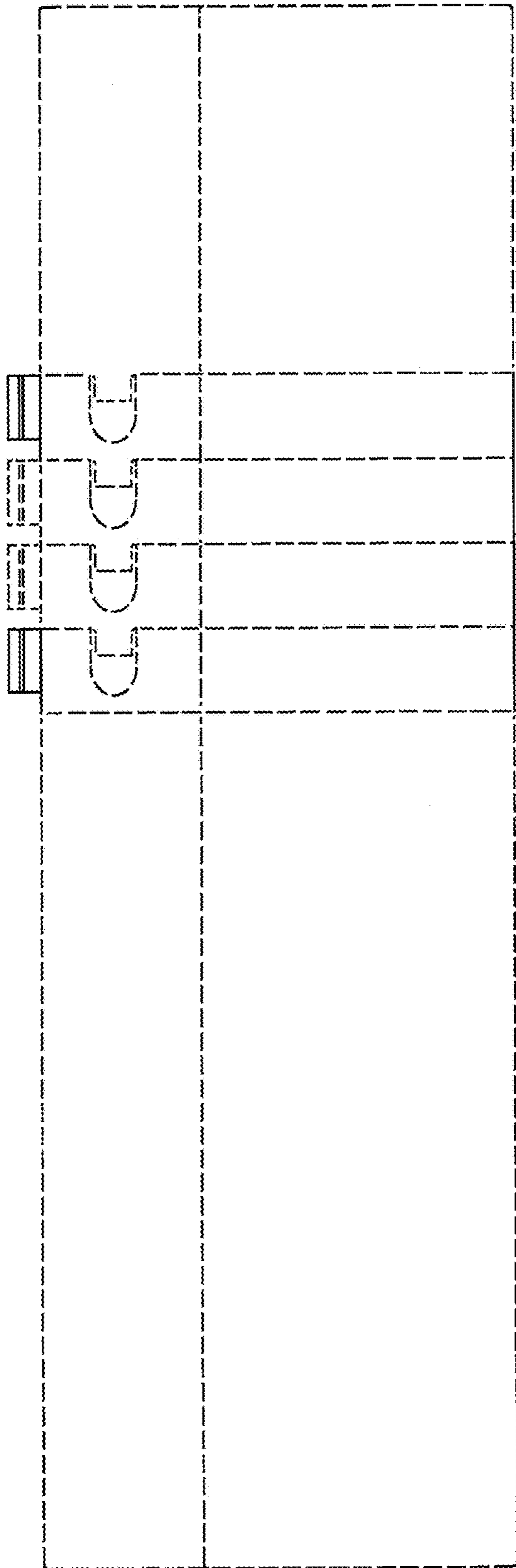


FIG. 2

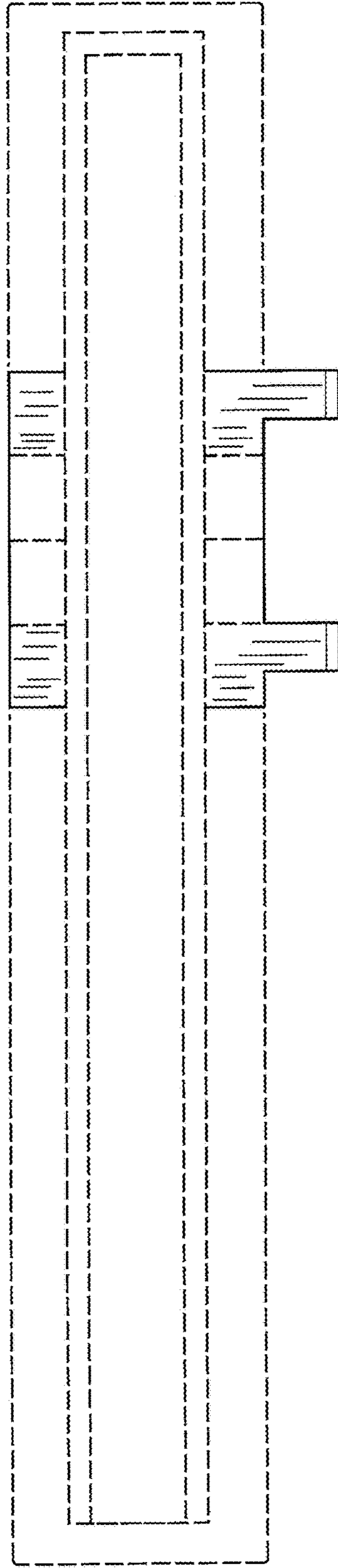


FIG. 3

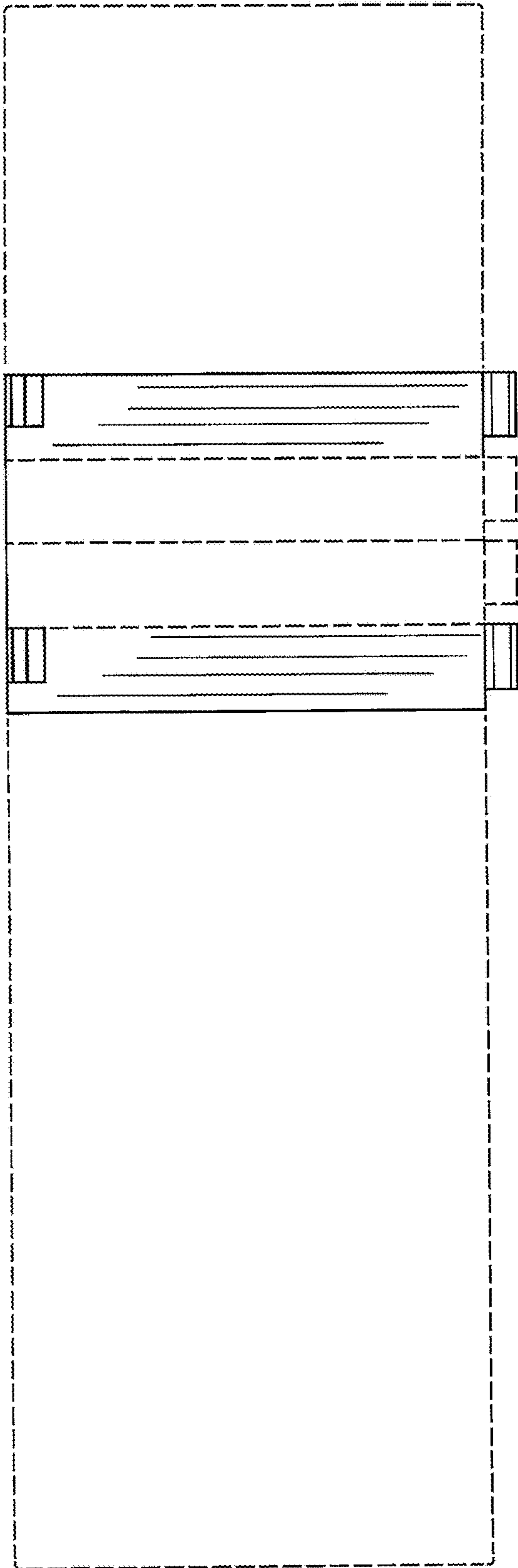


FIG. 5

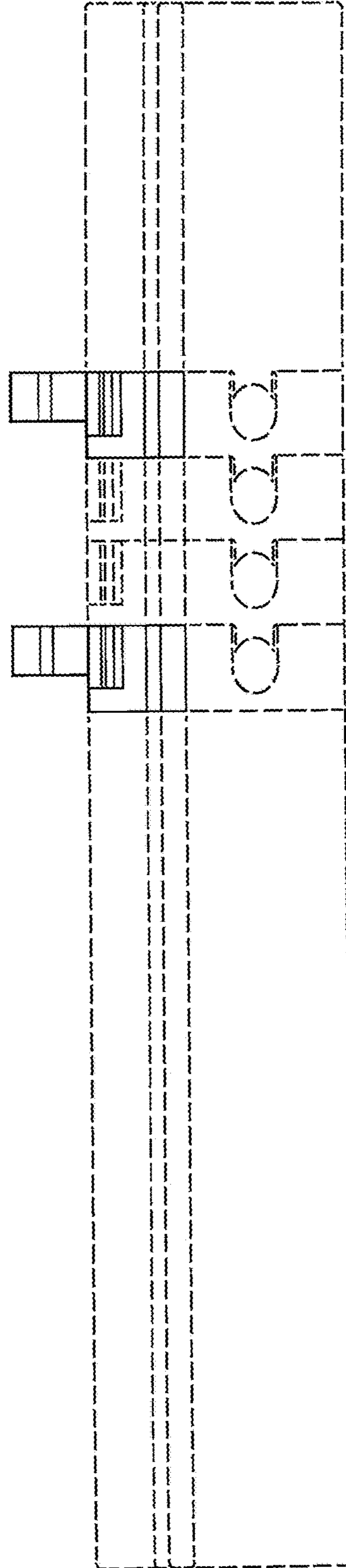


FIG. 4

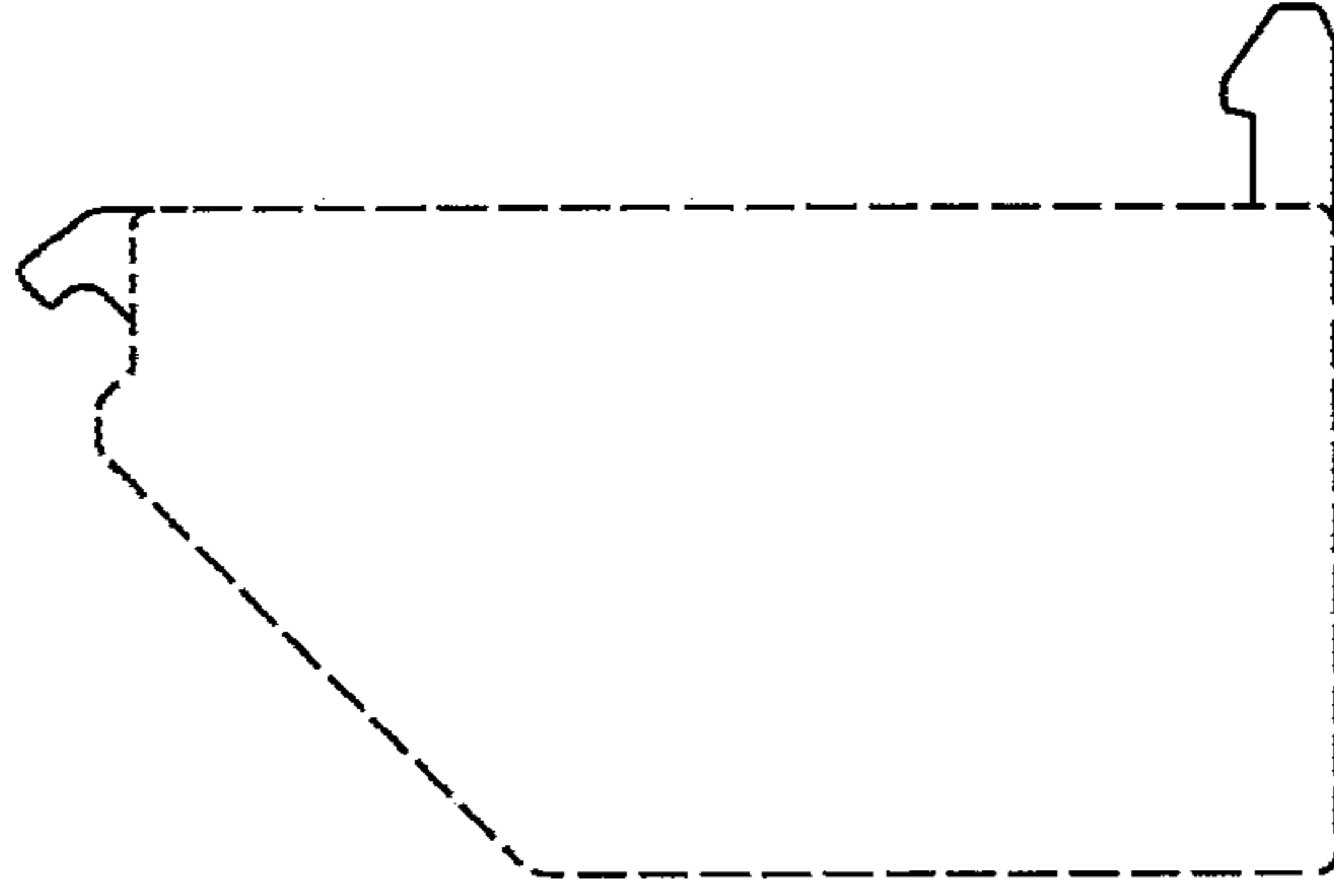


FIG. 6

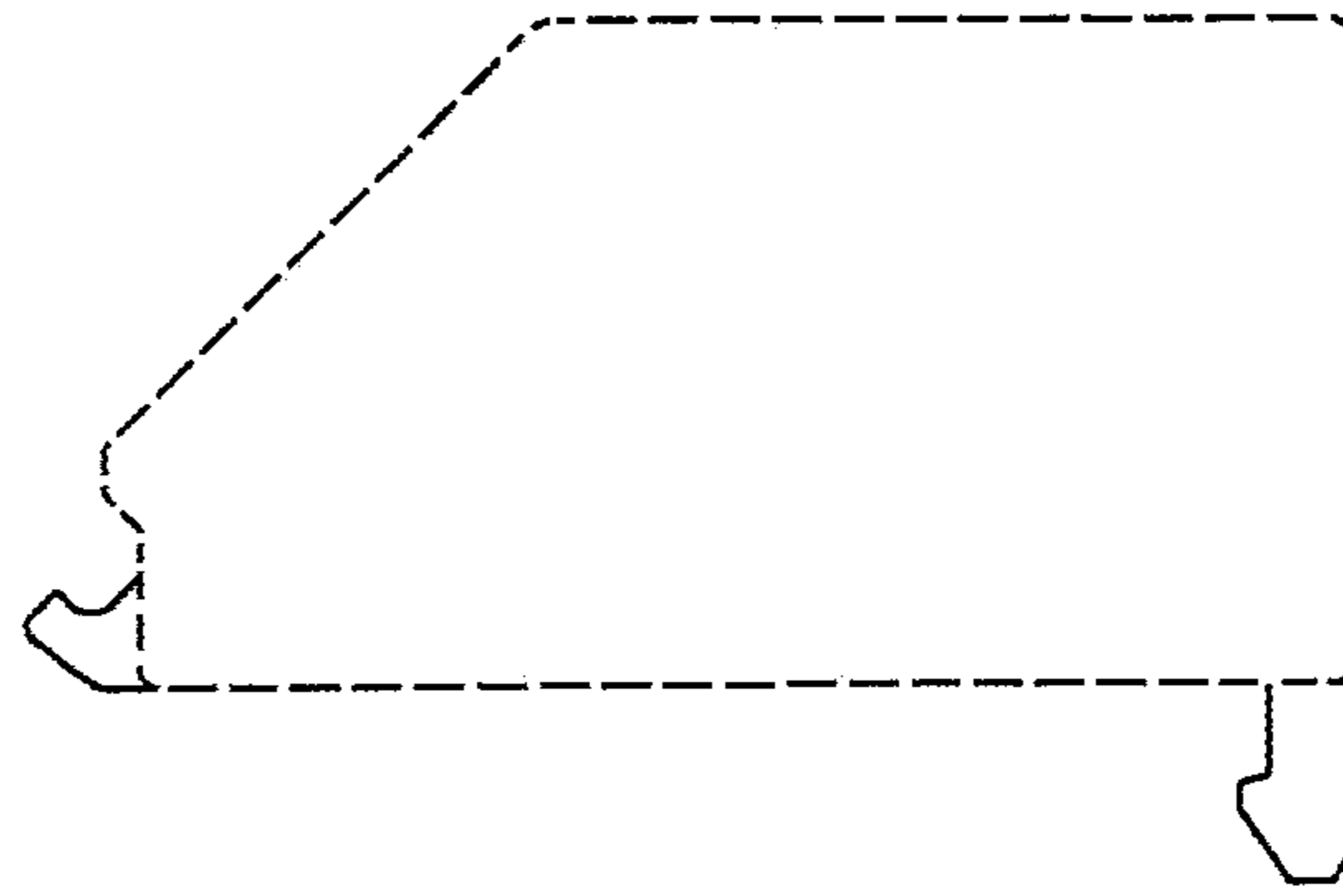


FIG. 7