



US00D925453S

(12) **United States Design Patent**
Kim et al.

(10) **Patent No.:** **US D925,453 S**

(45) **Date of Patent:** **** Jul. 20, 2021**

(54) **GROUNDING BUS BAR**

(71) Applicant: **A.F.W. Co., Ltd.**, Gyeongsangbuk-do (KR)

(72) Inventors: **Myeong Hun Kim**, Gumi-si (KR);
Jong Duk Seo, Daegu (KR)

(73) Assignee: **A.F.W. CO., LTD.**, Gyeongsangbuk-do (KR)

(**) Term: **15 Years**

(21) Appl. No.: **29/700,557**

(22) Filed: **Aug. 2, 2019**

(30) **Foreign Application Priority Data**

Feb. 27, 2019 (KR) 30-2019-0008840

(51) **LOC (13) Cl.** **13-02**

(52) **U.S. Cl.**
USPC **D13/120; D13/154**

(58) **Field of Classification Search**
USPC D13/101-106, 110, 117, 118-121, 123,
D13/124, 125, 133, 152, 154, 146, 147,
D13/149, 153, 155, 156, 158, 159, 160,
D13/161, 162, 173, 182, 184, 199;
D8/349, 363, 364, 354
See application file for complete search history.

(56) **References Cited**

U.S. PATENT DOCUMENTS

D399,486 S * 10/1998 Deans D13/120
D600,207 S * 9/2009 Lumpkins D13/118
7,601,457 B2 * 10/2009 Byun H01M 2/202
429/121
8,632,369 B2 * 1/2014 Lee H01M 2/30
439/766

D815,510 S * 4/2018 Often D8/347
2013/0149919 A1 * 6/2013 Lee H01G 11/10
439/765
2014/0000927 A1 * 1/2014 Hashimoto H02G 5/005
174/68.2
2017/0352964 A1 * 12/2017 Boucher H01R 25/162
2018/0309281 A1 * 10/2018 Ichikawa H02G 5/005
2019/0140246 A1 * 5/2019 Nakayama H01M 2/30
2019/0385767 A1 * 12/2019 Takahashi H01B 13/06
2020/0153124 A1 * 5/2020 Scharkowski H01R 4/023
2020/0185684 A1 * 6/2020 Wang H01R 25/16
2020/0280153 A1 * 9/2020 Yanagida H01M 2/20
2020/0292588 A1 * 9/2020 Mueller G01R 19/0092

OTHER PUBLICATIONS

Tinned Copper Busbar, Date: Aug. 10, 2017, [online], [Site visited Dec. 29, 2020], Available from Internet URL: https://www.youtube.com/watch?v=ceM_gQkmM0 (Year: 2017).*

(Continued)

Primary Examiner — Susan Bennett Hattan
Assistant Examiner — Landon Thomas Cassell
(74) *Attorney, Agent, or Firm* — Rabin & Berdo, P.C.

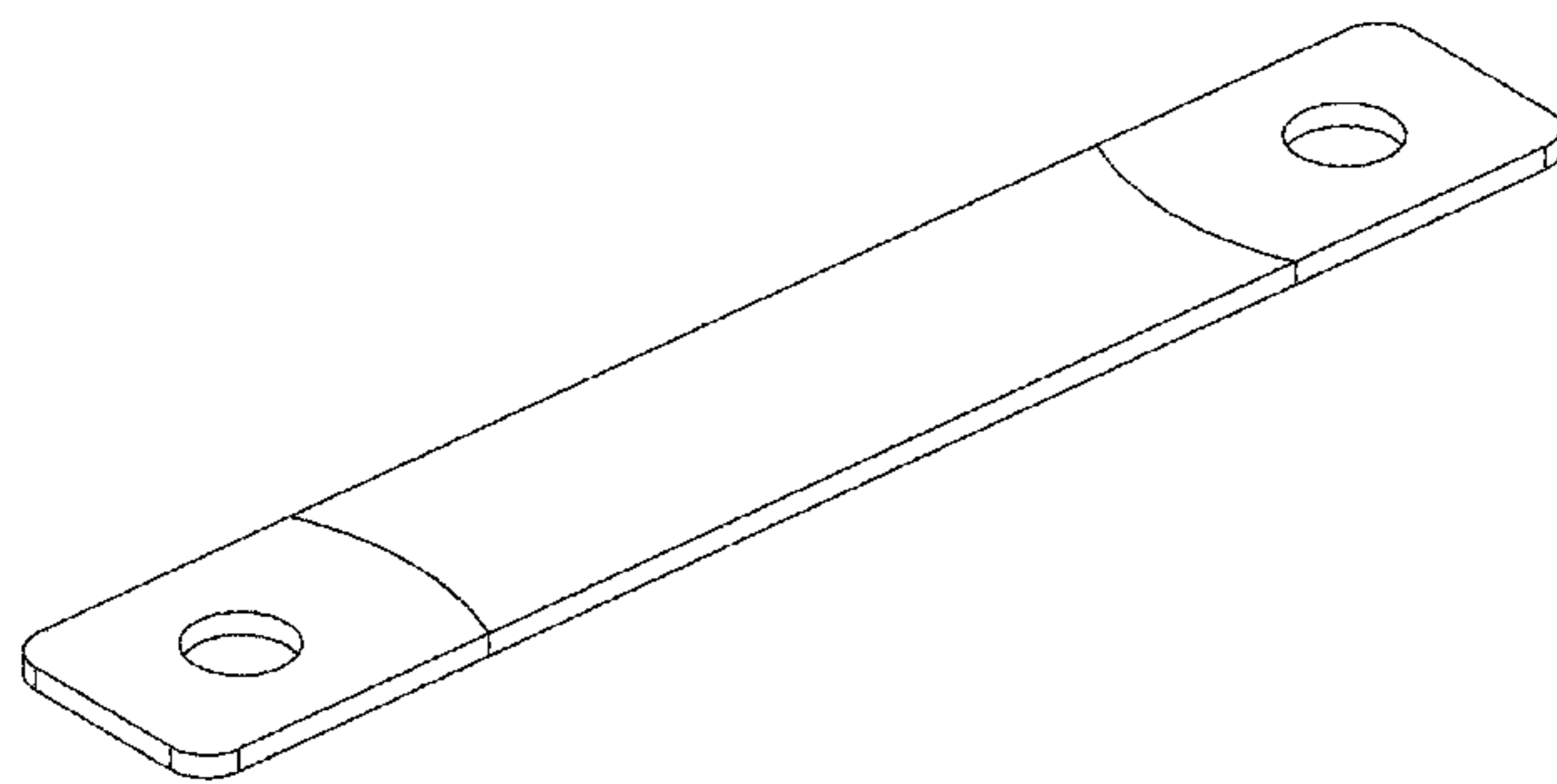
(57) **CLAIM**

The ornamental design for a grounding bus bar, as shown and described.

DESCRIPTION

FIG. 1 is a perspective view of a grounding bus bar;
FIG. 2 is a front view thereof;
FIG. 3 is a rear view thereof;
FIG. 4 is a left side view thereof;
FIG. 5 is a right side view thereof;
FIG. 6 is a top view thereof; and,
FIG. 7 is a bottom view thereof.

1 Claim, 4 Drawing Sheets



(56)

References Cited

OTHER PUBLICATIONS

Busbars ForeignPatent). (Design—© Questel) orbit.com. [Online PDF of Foreign Prior Art references] Page# 1-14. Print Dates Range: May 23, 2011-Apr. 15, 2015 [Retrieved Sep. 29, 2020]. <https://www.orbit.com/export/UCZAH96B/pdf4/63eb6cc0-00f7-461a-a08d-7c72269ba276-145827.pdf> (Year: 2020).*

A.F.W. Busbars. Date: N/A, [online], [Site visited Jan. 7, 2021], Available from Internet URL: http://www.asanfw.com/Eng/product/product_01.html#n0t1 (Year: NA).*

* cited by examiner

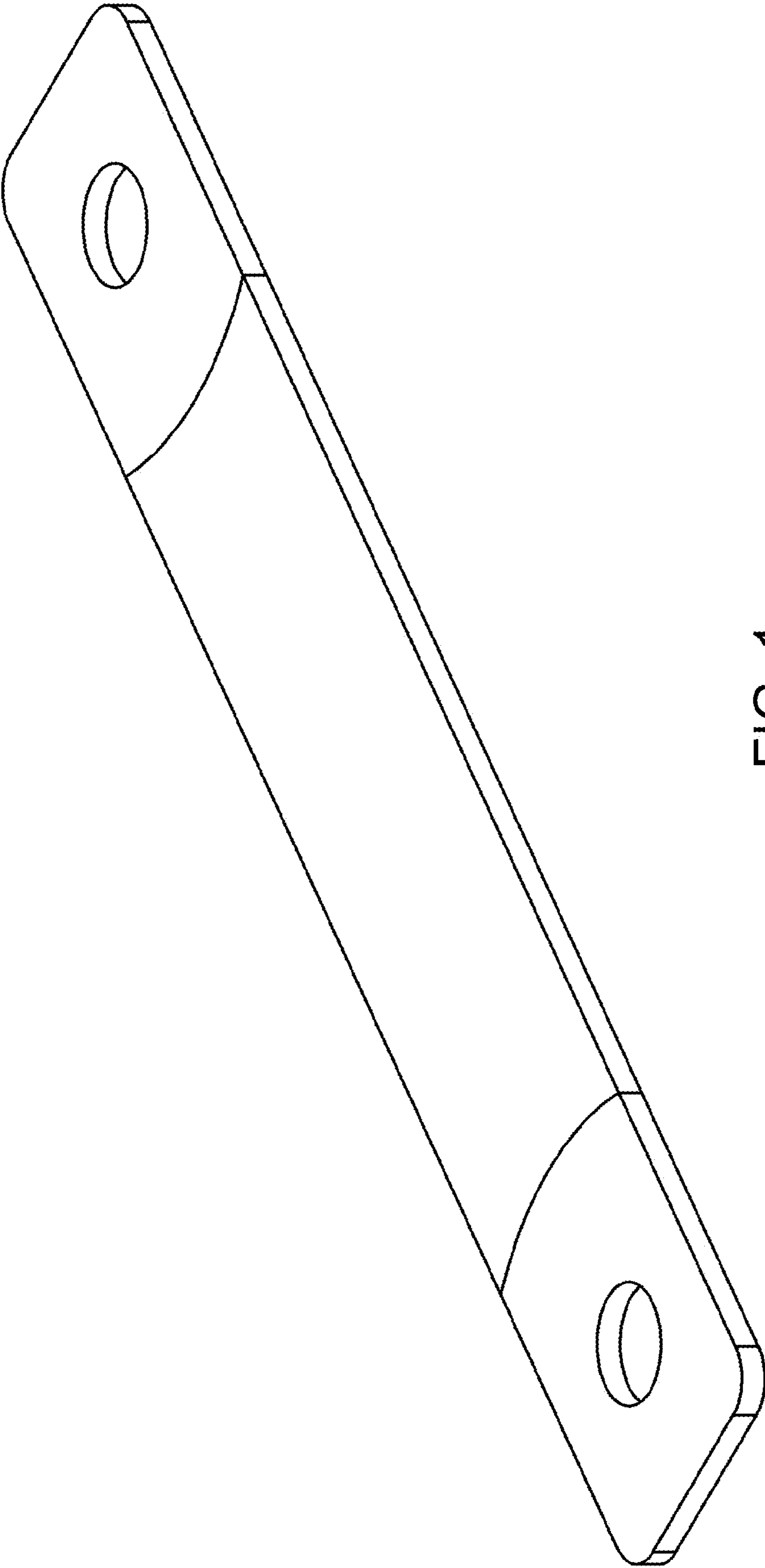


FIG. 1



FIG. 2



FIG. 3



FIG. 4



FIG. 5

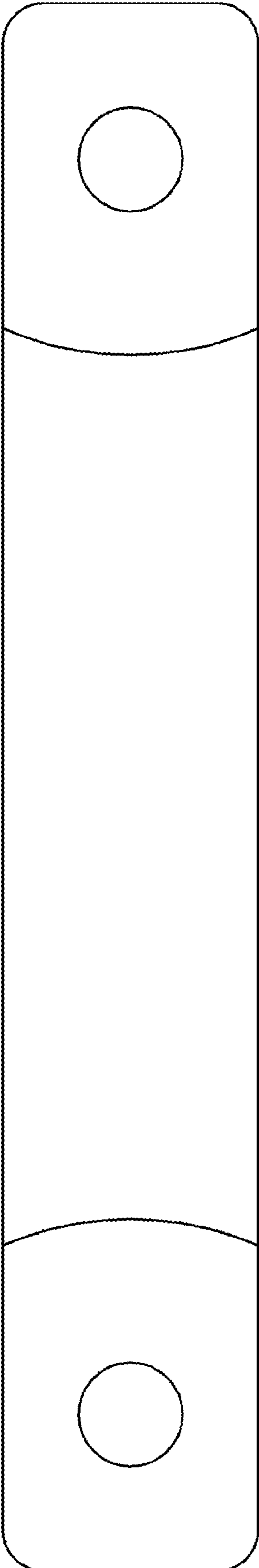


FIG. 6

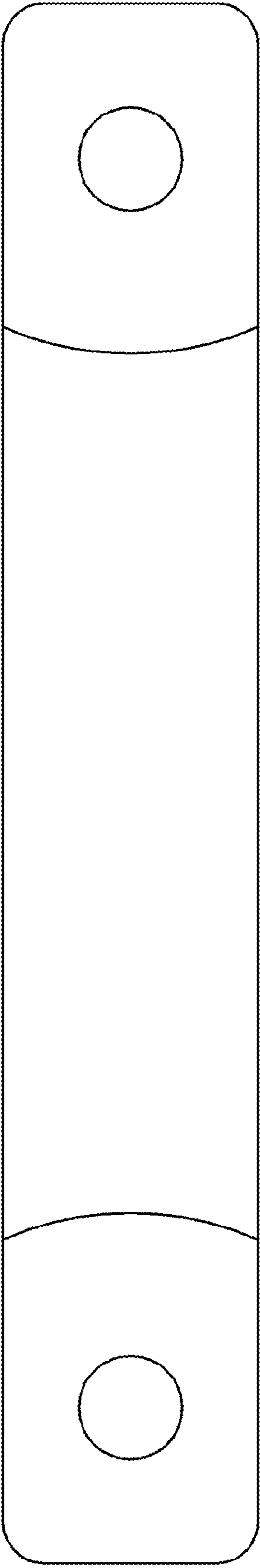


FIG. 7