



US00D925451S

(12) **United States Design Patent** (10) **Patent No.:** **US D925,451 S**  
**Moreno et al.** (45) **Date of Patent:** **\*\* Jul. 20, 2021**

(54) **BATTERY PACK HOLDER**

(56) **References Cited**

(71) Applicant: **AQORA LIMITED**, Dublin (IE)

U.S. PATENT DOCUMENTS

(72) Inventors: **Boris Gragera Moreno**, Dublin (IE);  
**Yeong Woo Kim**, Timonium, MD (US)

D751,978 S *	3/2016	Hong	.....	D13/103
D782,414 S *	3/2017	Worthington	.....	D13/108
D788,697 S *	6/2017	Verleur	.....	D13/103
D797,043 S *	9/2017	Akana	.....	D13/103
D813,155 S *	3/2018	Yamada	.....	D13/103
D815,037 S *	4/2018	Chen	.....	D13/108
D822,599 S *	7/2018	Zhong	.....	D13/108
D833,384 S *	11/2018	Takayanagi	.....	D13/103
D841,574 S *	2/2019	Ma	.....	D13/103
D842,236 S *	3/2019	Garduno	.....	D13/103
D843,938 S *	3/2019	Park	.....	D13/108
D885,328 S *	5/2020	Bartell	.....	D13/103

(73) Assignee: **AQORA LIMITED**, Dublin (IE)

(\*\*) Term: **15 Years**

(21) Appl. No.: **29/610,729**

(22) Filed: **Jul. 14, 2017**

(51) **LOC (13) Cl.** ..... **13-02**

(52) **U.S. Cl.**  
USPC ..... **D13/119**

(58) **Field of Classification Search**  
USPC ..... D13/103, 107, 108, 110, 137.1–137.4,  
D13/138.1–138.2, 139.1–139.8, 152, 154,  
D13/158, 171, 174, 184, 199; D14/250,  
D14/251, 253, 432, 434  
CPC ..... Y02E 60/12; Y02E 60/122; Y02E 60/124;  
Y02E 60/50; H01M 2/02; H01M 2/022;  
H01M 2/0202; H01M 2/0207; H01M  
2/0212; H01M 2/1061; H01M 2/1022;  
H01M 2/1055; H01M 2/1066; H01M  
2/105; H01M 2/204; H01M 2/202; H01M  
2/206; H01M 10/4257; H01M 10/436;  
H01M 10/48; H01M 10/44; H01M 10/46;  
H01M 10/465; H01M 10/482; H01R  
11/00; H01R 9/00; H01R 13/00; H01R  
13/04; H01R 13/10; H01R 13/6666;  
H01R 13/6675; H01R 25/00; H01R  
25/006; H01H 2207/00; H01H 2207/022

See application file for complete search history.

\* cited by examiner

*Primary Examiner* — Christy Nemeth

(74) *Attorney, Agent, or Firm* — Nixon Peabody LLP

(57) **CLAIM**

The ornamental design for a battery pack holder, as shown and described.

**DESCRIPTION**

FIG. 1 is an isometric view of a battery pack holder of our new design.

FIG. 2 is a top view of the holder shown in FIG. 1.

FIG. 3 is a bottom view of the holder shown in FIG. 1.

FIG. 4 is a front view of the holder shown in FIG. 1.

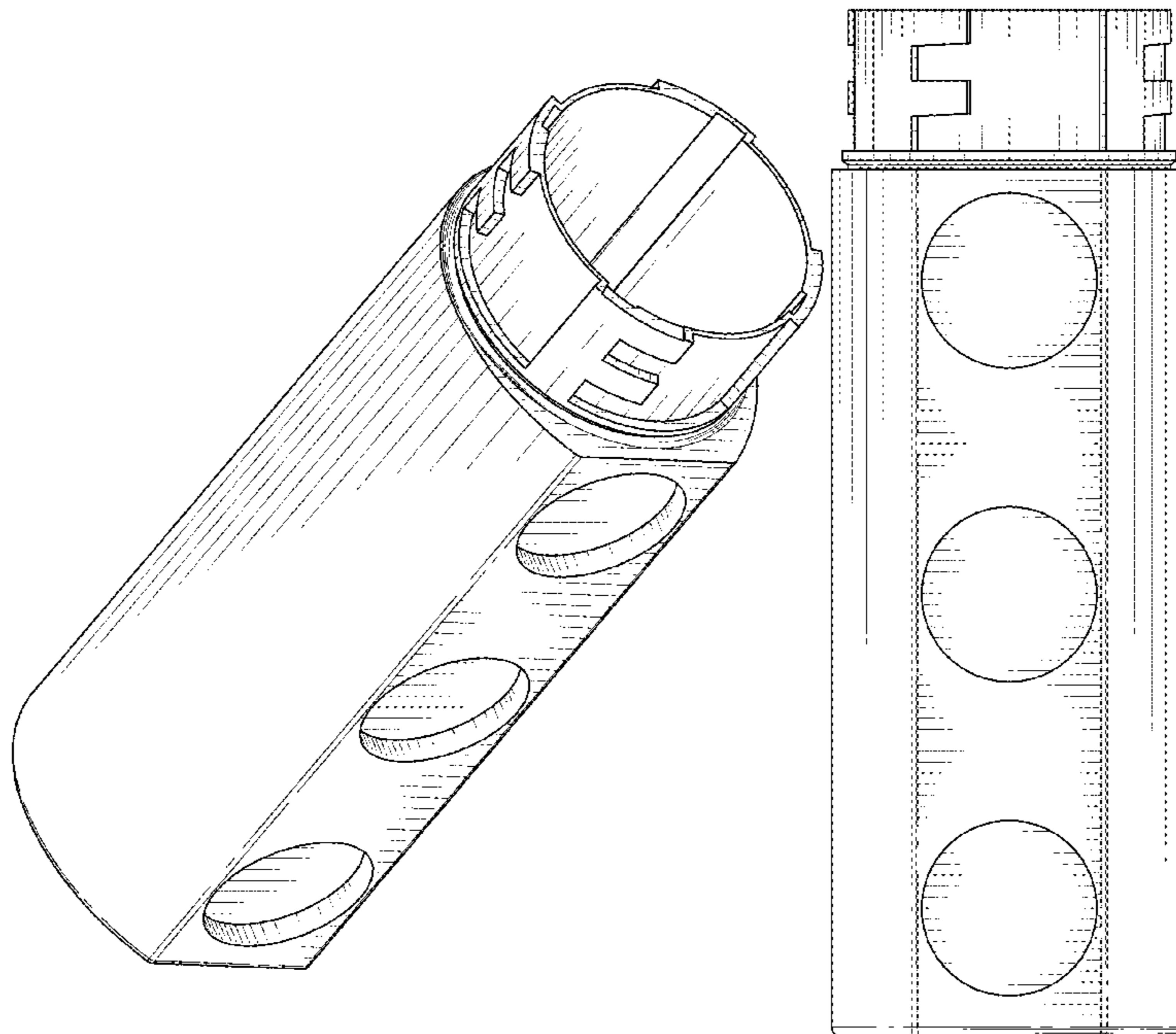
FIG. 5 is a rear view of the holder shown in FIG. 1.

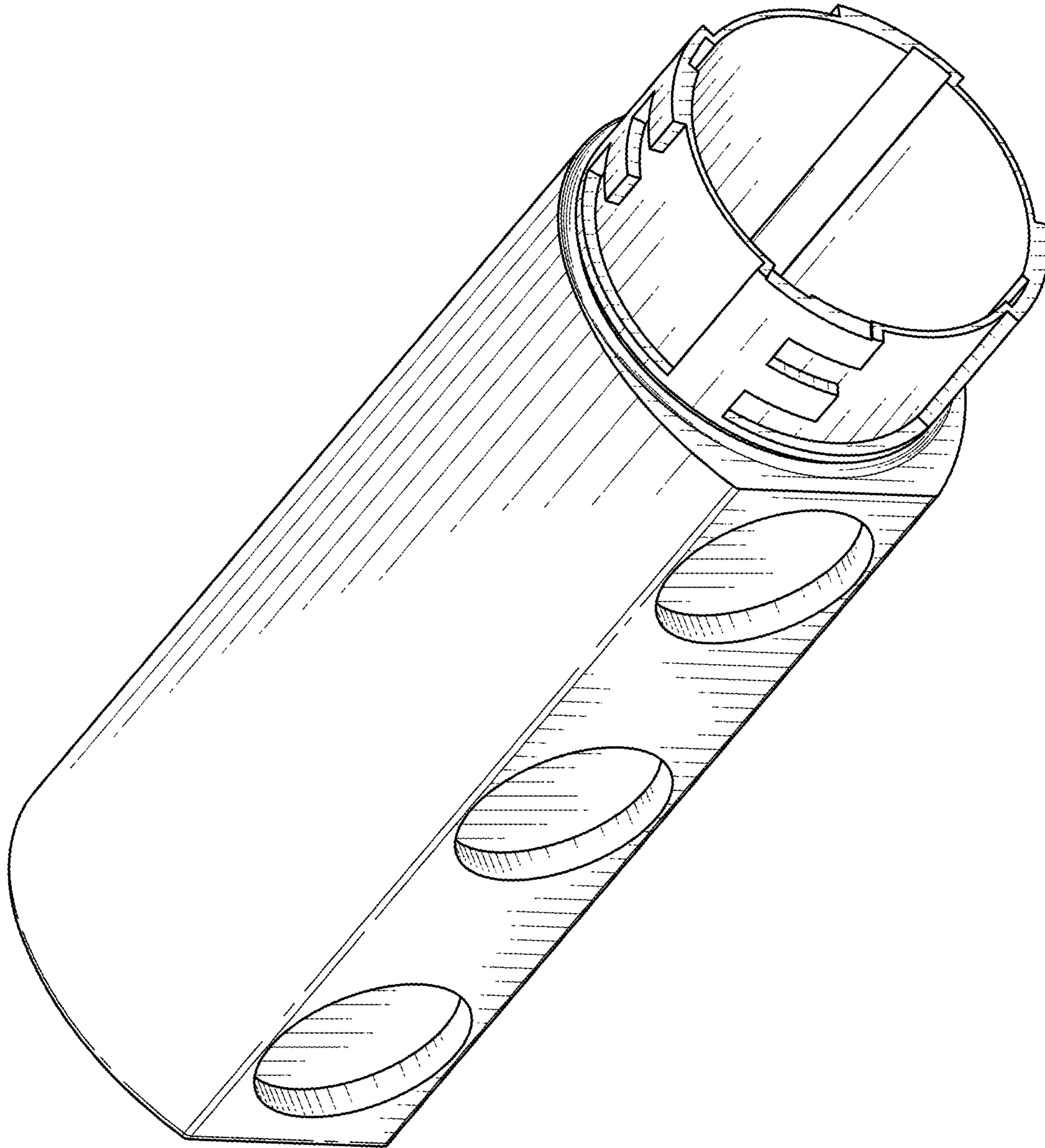
FIG. 6 is a left side view of the holder shown in FIG. 1; and,

FIG. 7 is a right side view of the holder shown in FIG. 1.

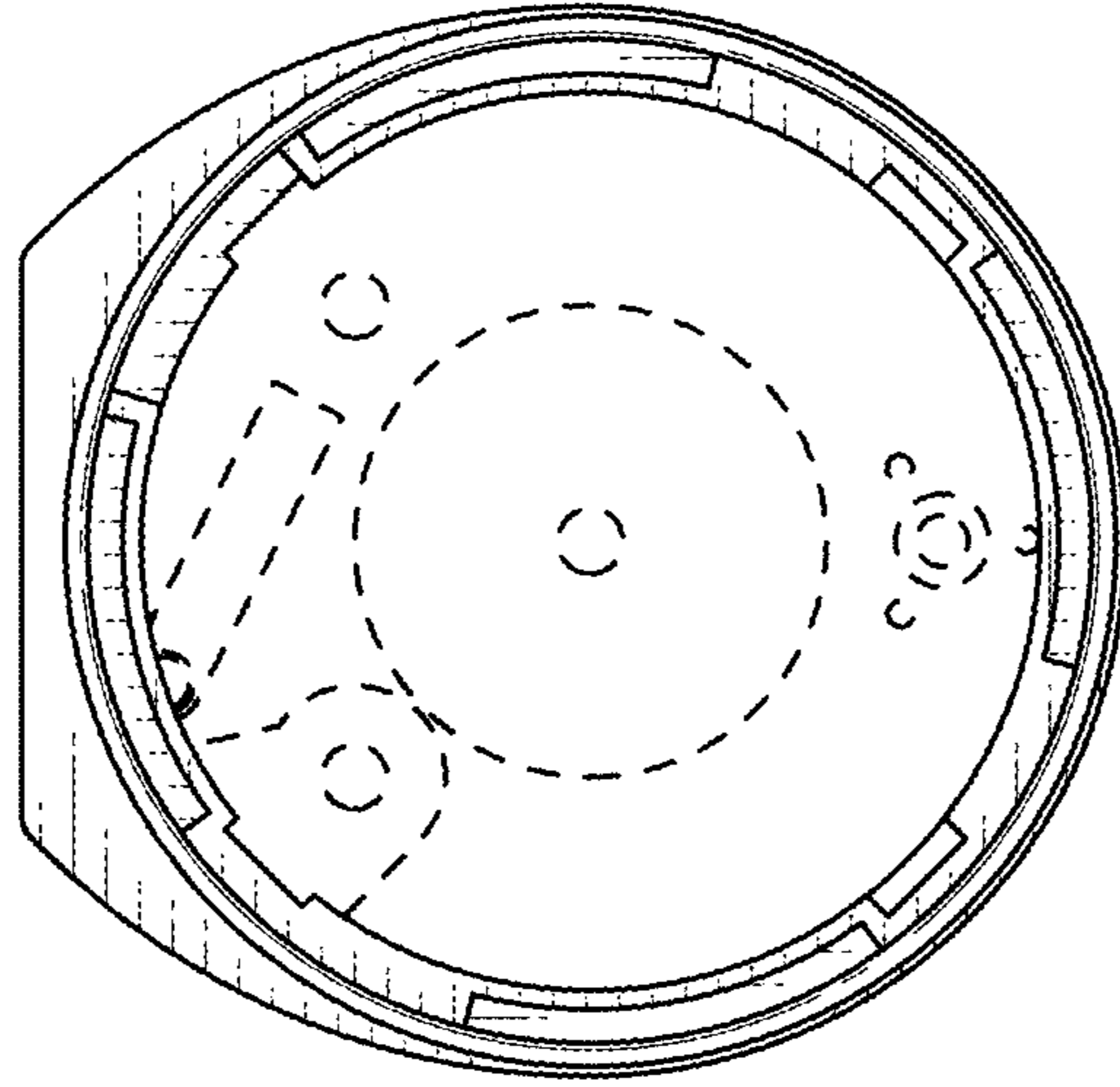
The dashed broken lines in FIGS. 2 and 3 are for the purpose of illustrating portions of the article that form no part of the claimed design. The shade lines shown in the figures illustrate character and contour, and not surface ornamentation.

**1 Claim, 4 Drawing Sheets**

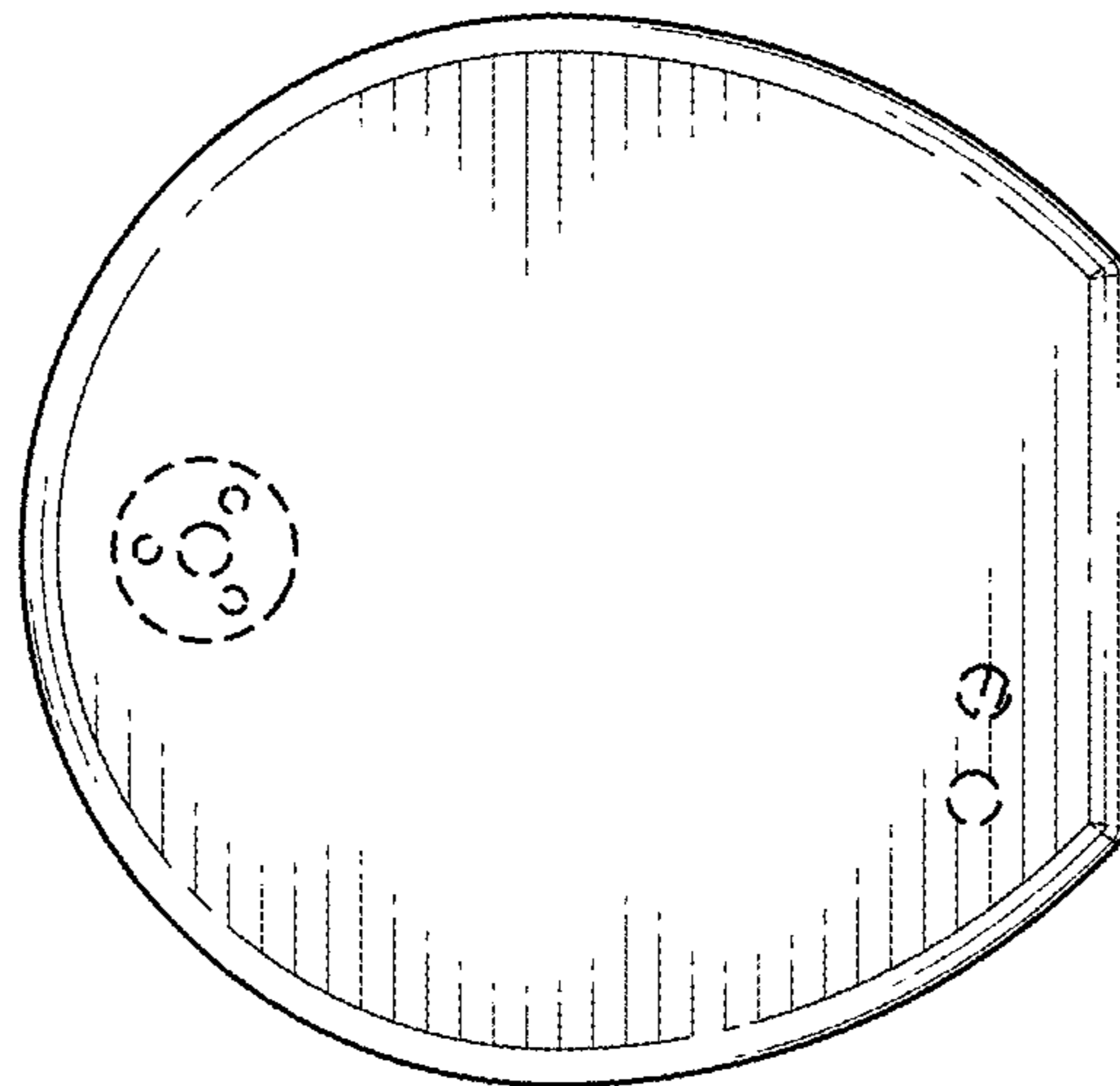




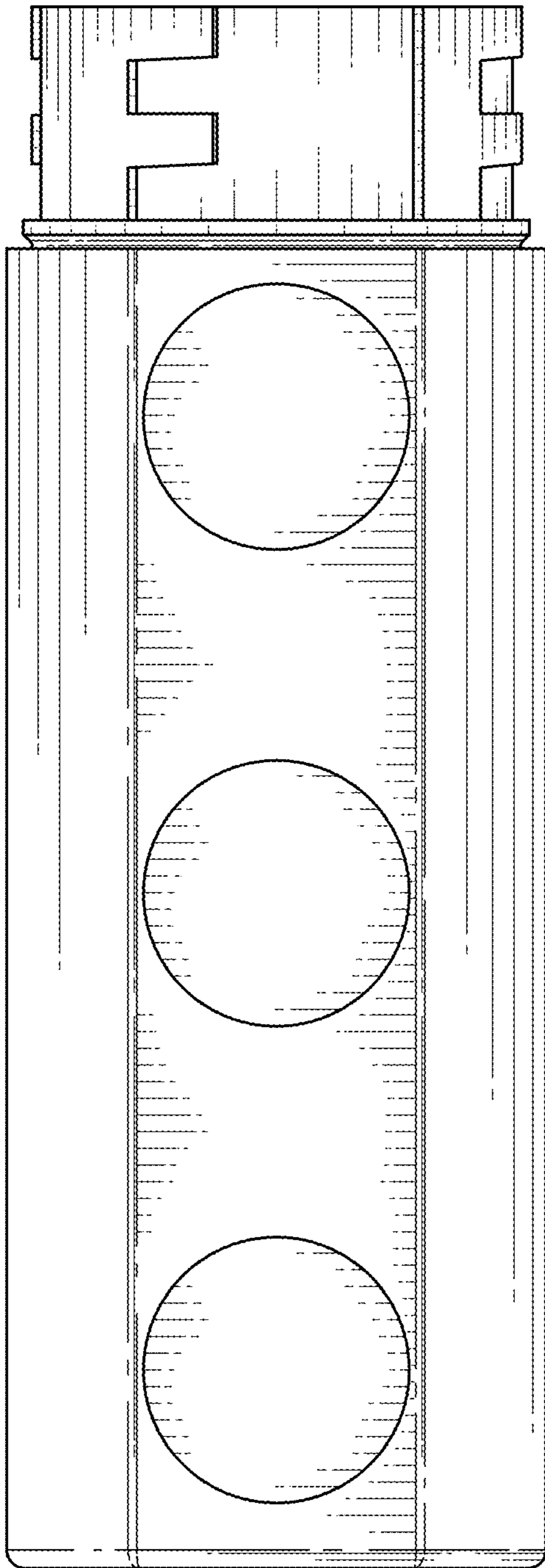
**FIG. 1**



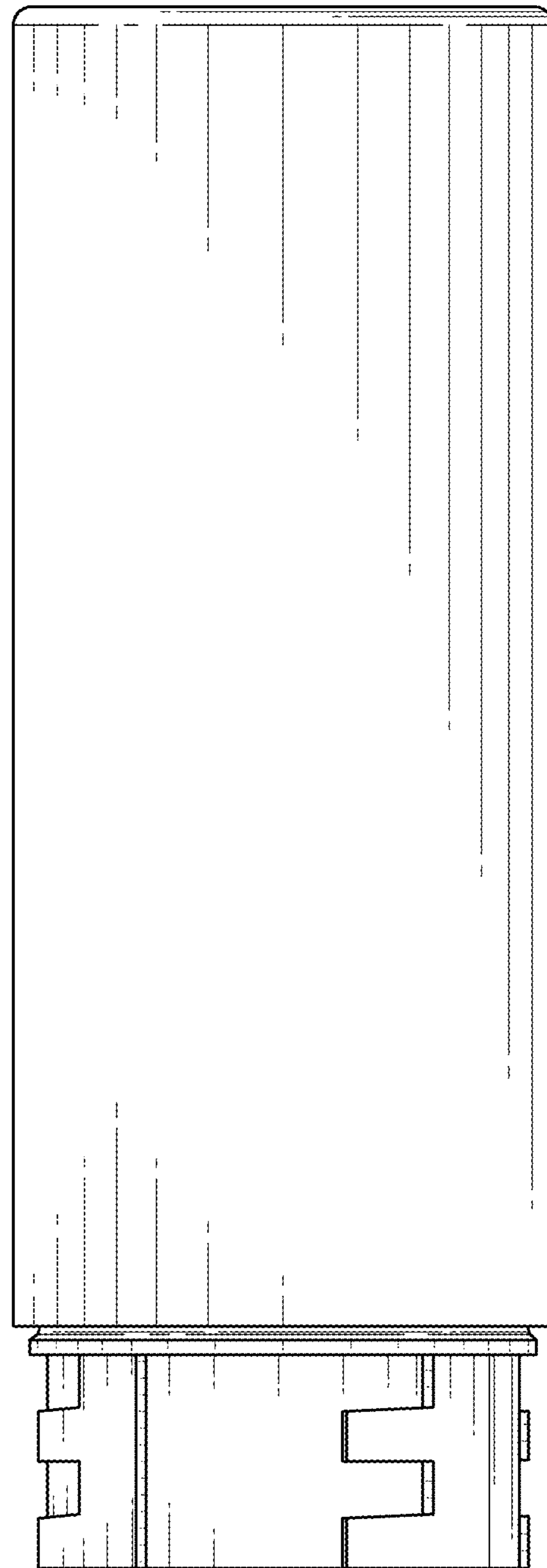
**FIG. 2**



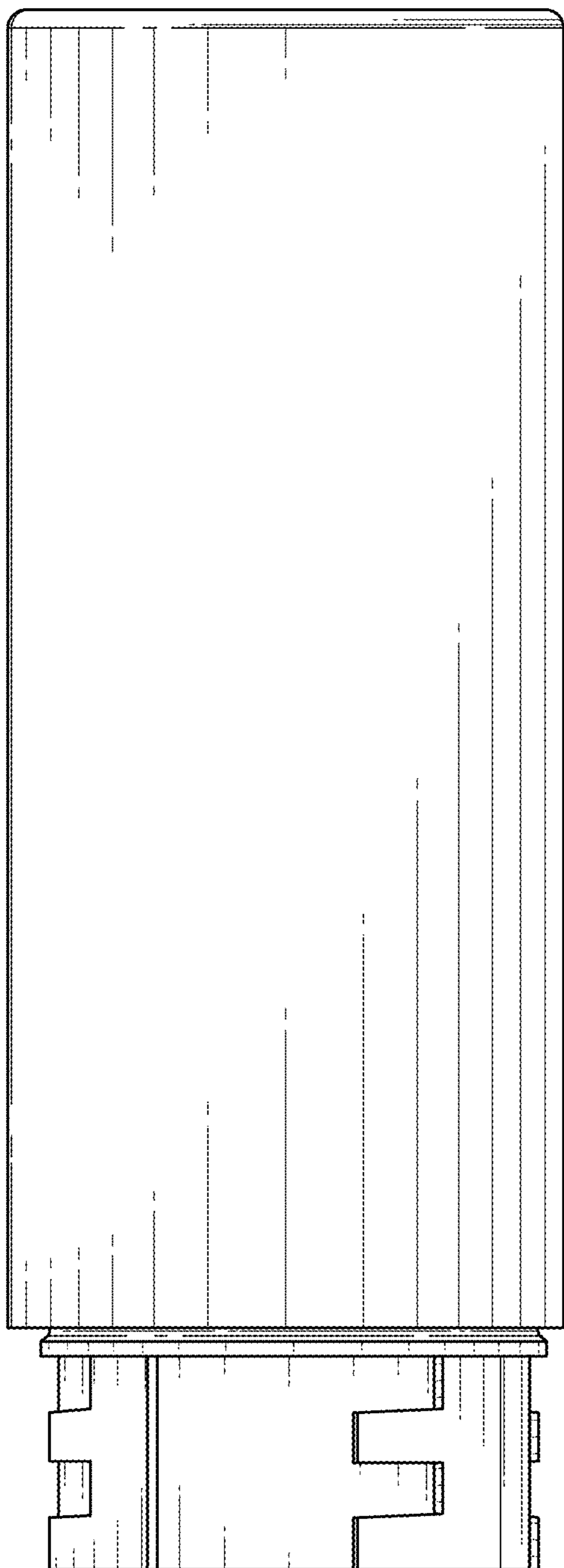
**FIG. 3**



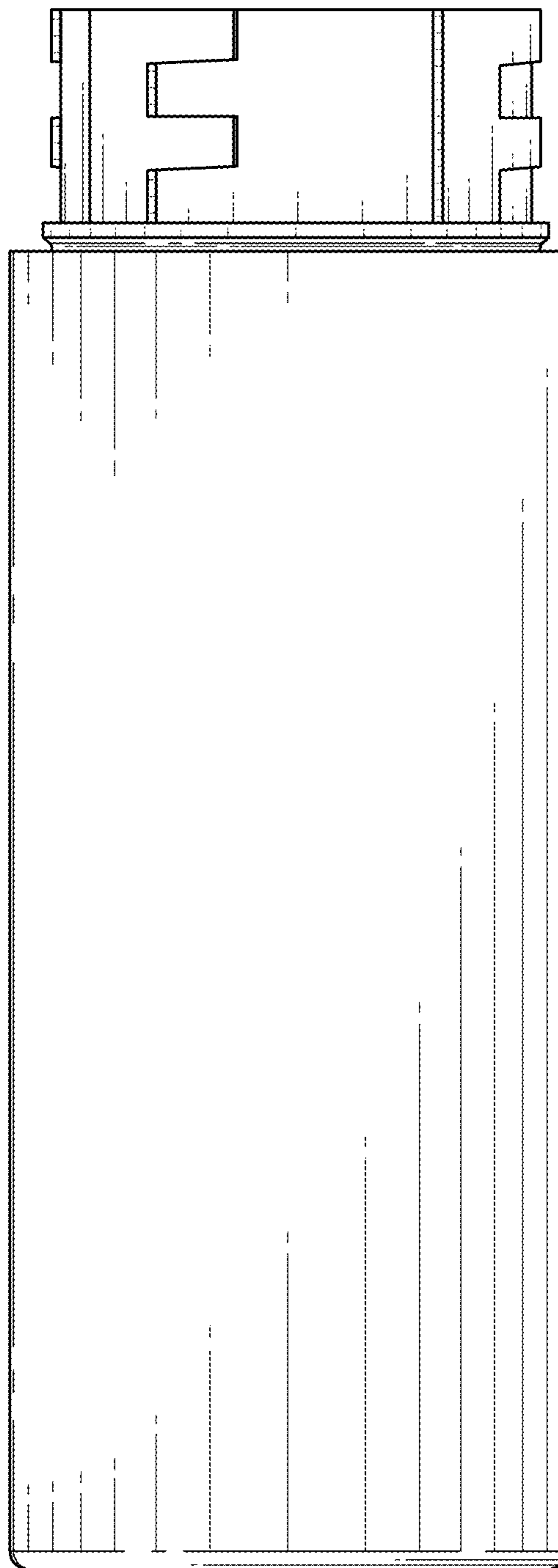
**FIG. 4**



**FIG. 5**



**FIG. 6**



**FIG. 7**