



US00D925449S

(12) **United States Design Patent**
Oishi et al.

(10) **Patent No.:** **US D925,449 S**

(45) **Date of Patent:** **** Jul. 20, 2021**

(54) **MOTOR**

(71) Applicant: **EBARA CORPORATION**, Tokyo (JP)

(72) Inventors: **Yohei Oishi**, Tokyo (JP); **Takahide Ozawa**, Tokyo (JP); **Kazuma Nishimura**, Tokyo (JP); **Takayuki Kuronuma**, Tokyo (JP); **Akihiro Ochiai**, Tokyo (JP); **Ryoko Ikegami**, Tokyo (JP); **Prateek Ninave**, Tokyo (JP); **Naoki Katayama**, Tokyo (JP)

(73) Assignee: **EBARA CORPORATION**, Tokyo (JP)

(**) Term: **15 Years**

(21) Appl. No.: **29/699,705**

(22) Filed: **Jul. 29, 2019**

(30) **Foreign Application Priority Data**

Jan. 31, 2019 (JP) 2019-001911

(51) **LOC (13) Cl.** **13-01**

(52) **U.S. Cl.**
USPC **D13/112**

(58) **Field of Classification Search**
USPC D13/103, 107, 108, 110, 112, 113, 114,
D13/117, 118, 119, 122, 184, 199;
D15/1, 5

CPC H02K 11/00; H02K 15/16; H02K 11/0094

See application file for complete search history.

(56) **References Cited**

U.S. PATENT DOCUMENTS

D207,401 S * 4/1967 Andrews D13/114
D332,081 S * 12/1992 Sieber D13/112
D336,890 S * 6/1993 Hirose D13/112
D576,941 S * 9/2008 Evon D13/112
D578,063 S * 10/2008 Lannoch D13/112

D686,571 S * 7/2013 Hoyle D13/114
9,160,207 B2 * 10/2015 Zeng H02K 5/24
D801,925 S * 11/2017 Andersson D13/112
D826,277 S * 8/2018 Scott D15/1
D857,628 S * 8/2019 Chen D13/112
2016/0056682 A1 * 2/2016 Cocks H02K 9/06
310/59
2016/0102676 A1 * 4/2016 You F04D 29/38
415/1
2019/0393757 A1 * 12/2019 Li H02K 9/14

OTHER PUBLICATIONS

“AC Motor”. Found online Sep. 10, 2020 at elprocus.com. Reference dated Feb. 3, 2014. Retrieved from https://tineye.com/search/b034f96c9d40c1f15068813c74205f3758e131c3?sort=crawl_date&order=asc&page=1. (Year: 2014).*

(Continued)

Primary Examiner — Catherine S Posthauer

Assistant Examiner — Amanda Christensen

(74) *Attorney, Agent, or Firm* — Pearne & Gordon LLP

(57) **CLAIM**

The ornamental design for a motor, as shown and described.

DESCRIPTION

FIG. 1 is a top, front, left perspective view of a motor, showing our new design;

FIG. 2 is a top, rear, right perspective view thereof;

FIG. 3 is a front elevation view thereof;

FIG. 4 is a rear elevation view thereof;

FIG. 5 is a left side elevation view thereof;

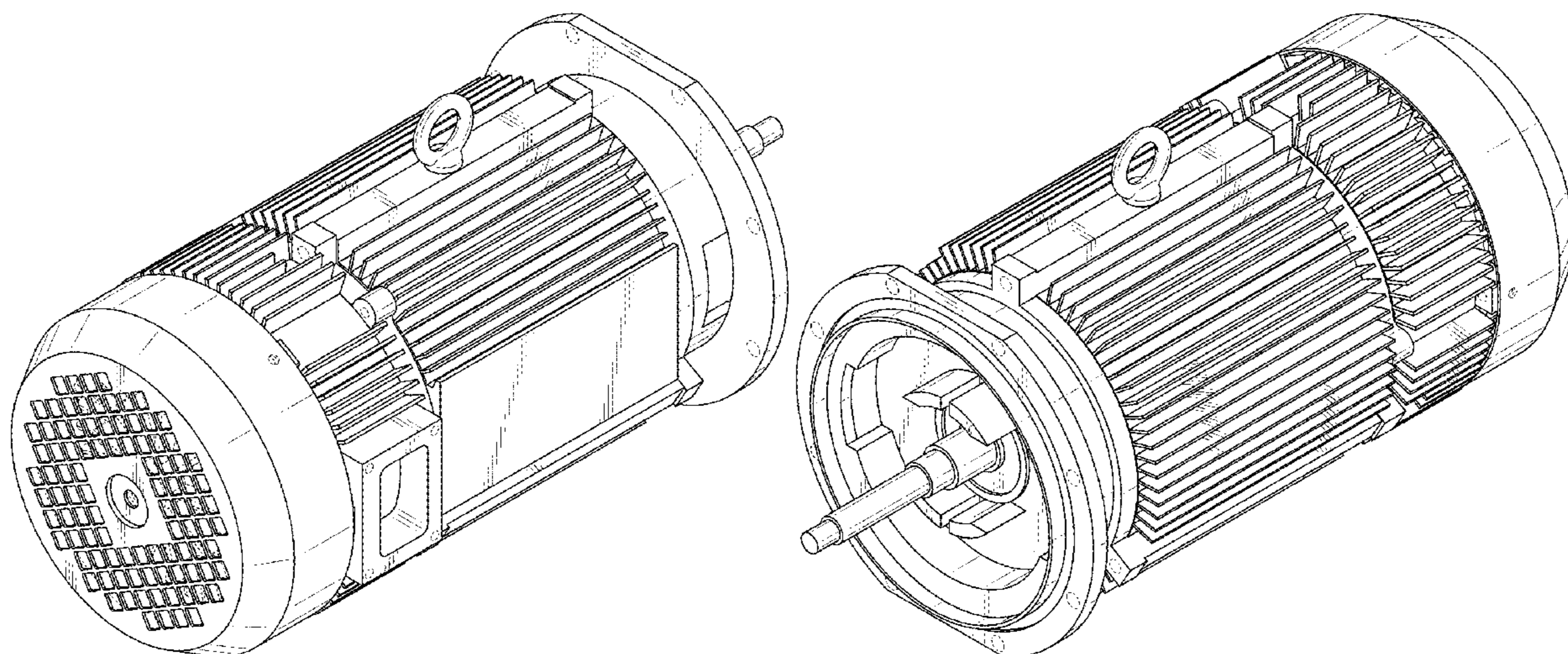
FIG. 6 is a right side elevation view thereof;

FIG. 7 is a top plan view thereof; and,

FIG. 8 is a bottom plan view thereof.

The broken lines in the drawings depict portions of the motor that form no part of the claimed design.

1 Claim, 8 Drawing Sheets



(56)

References Cited

OTHER PUBLICATIONS

“Ebara Pump”. Found online Sep. 10, 2020 at amazon.com. Reference dated Feb. 12, 2018. Retrieved from <https://www.amazon.com/Ebara-2-Stage-Centrif-230-460V-2CDXU/dp/B079RL2FX5>. (Year: 2018).*

“Elektrim-Full-Line-Overview”. Found online Sep. 10, 2020 at elektrimmotors.com. Reference dated Jul. 2017. Retrieved from <https://elektrimmotors.com/media/Elektrim-Full-Line-Overview-4pg.pdf>. (Year: 2017).*

* cited by examiner

FIG. 1

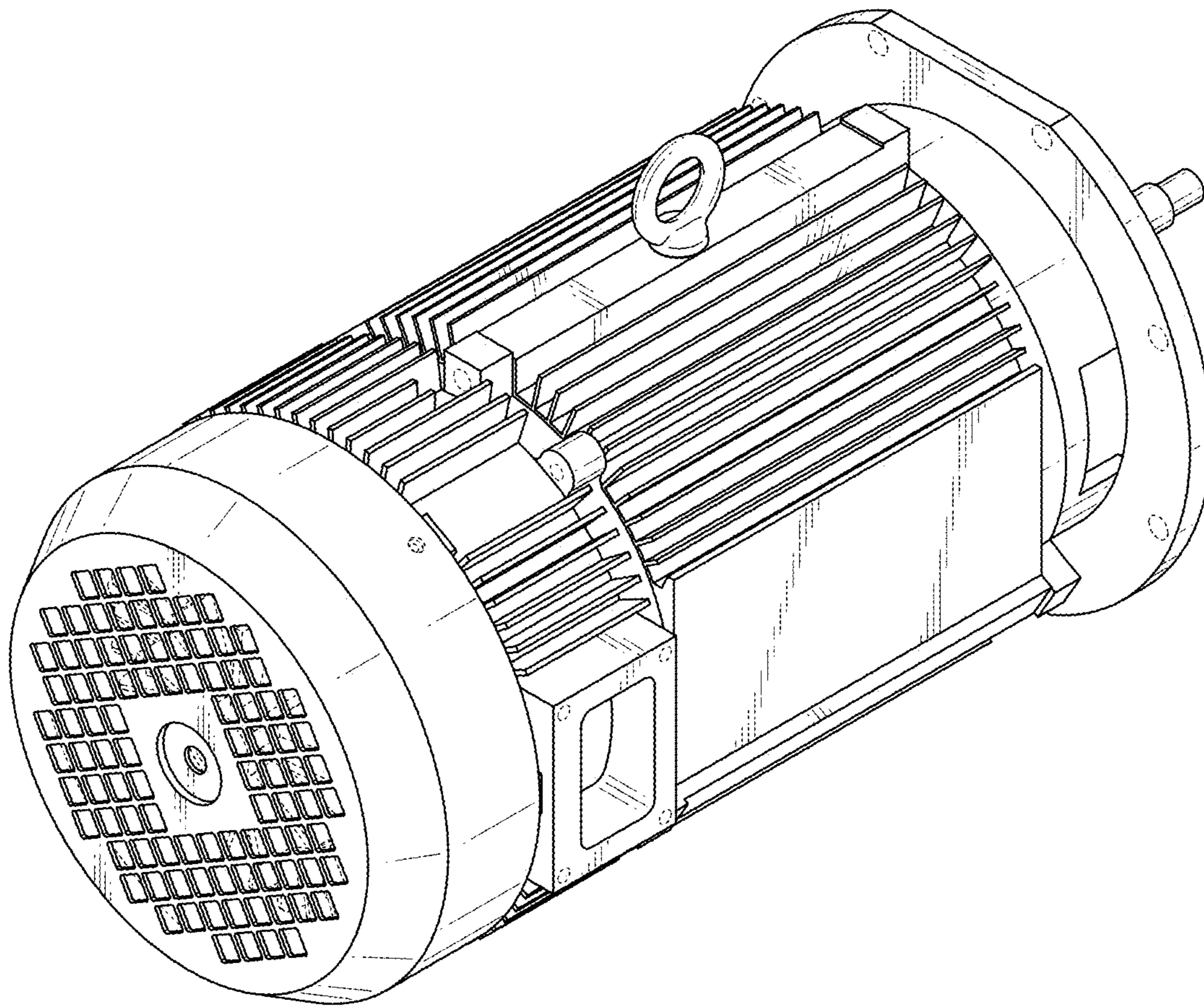


FIG. 2

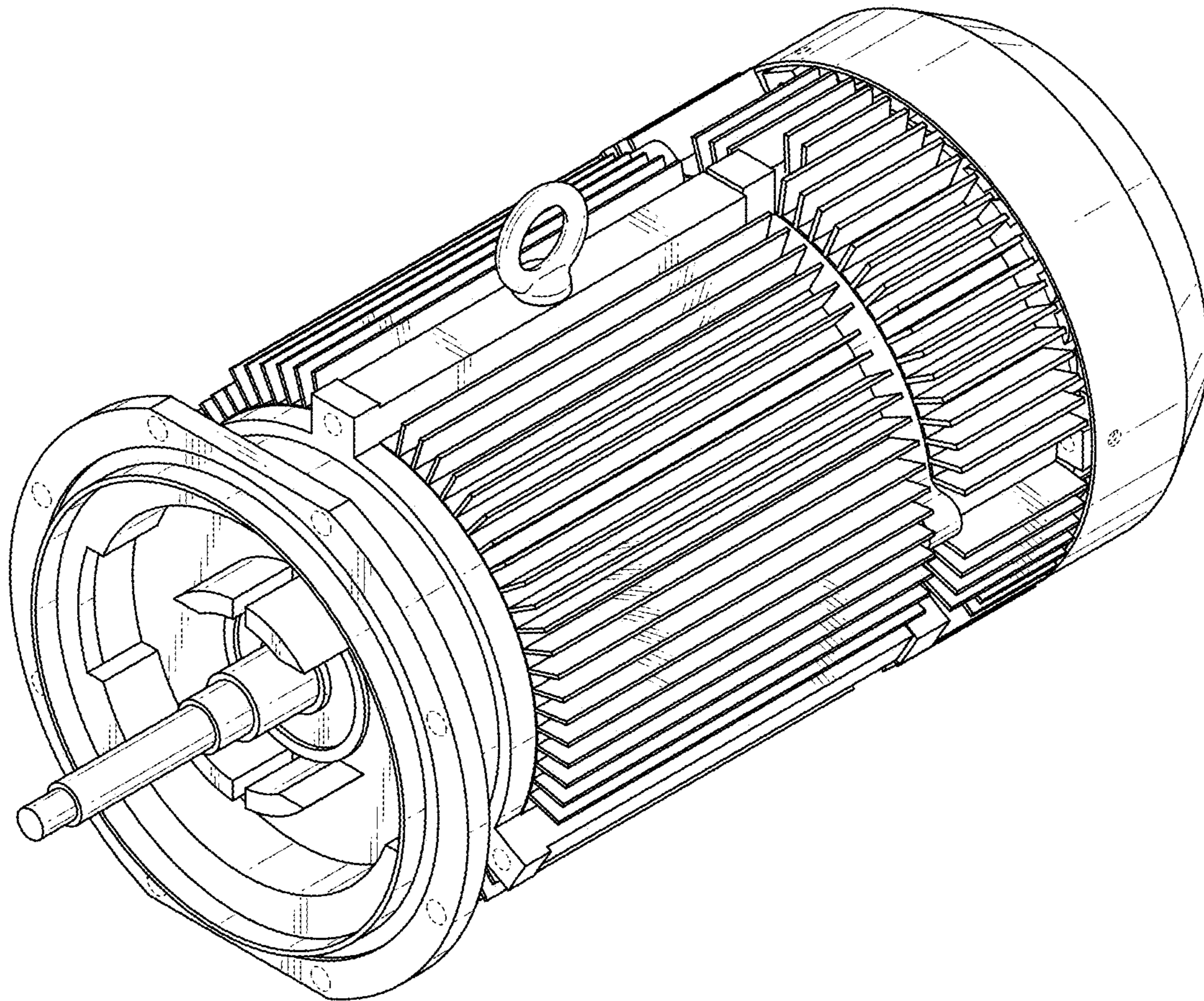


FIG. 3

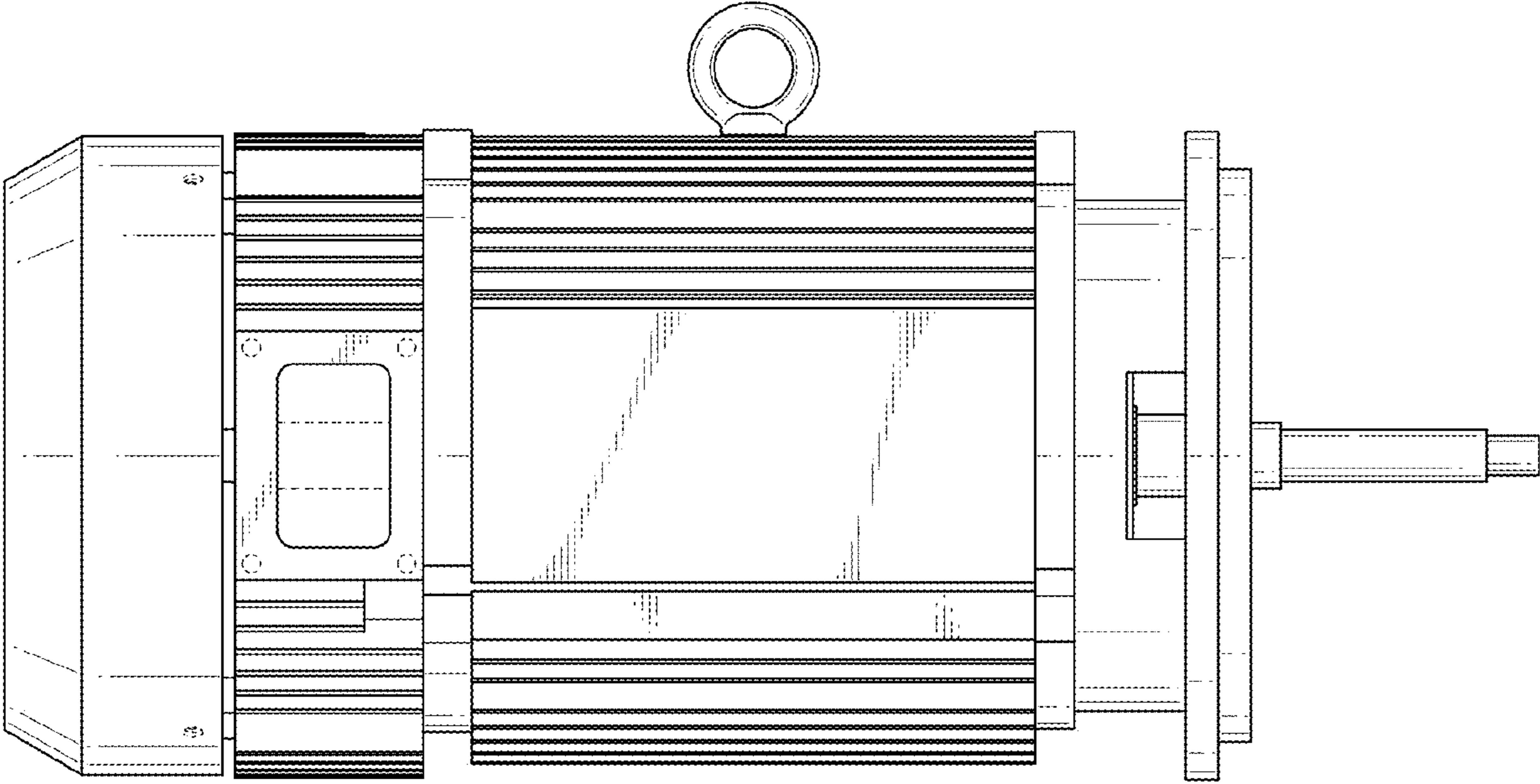


FIG. 4

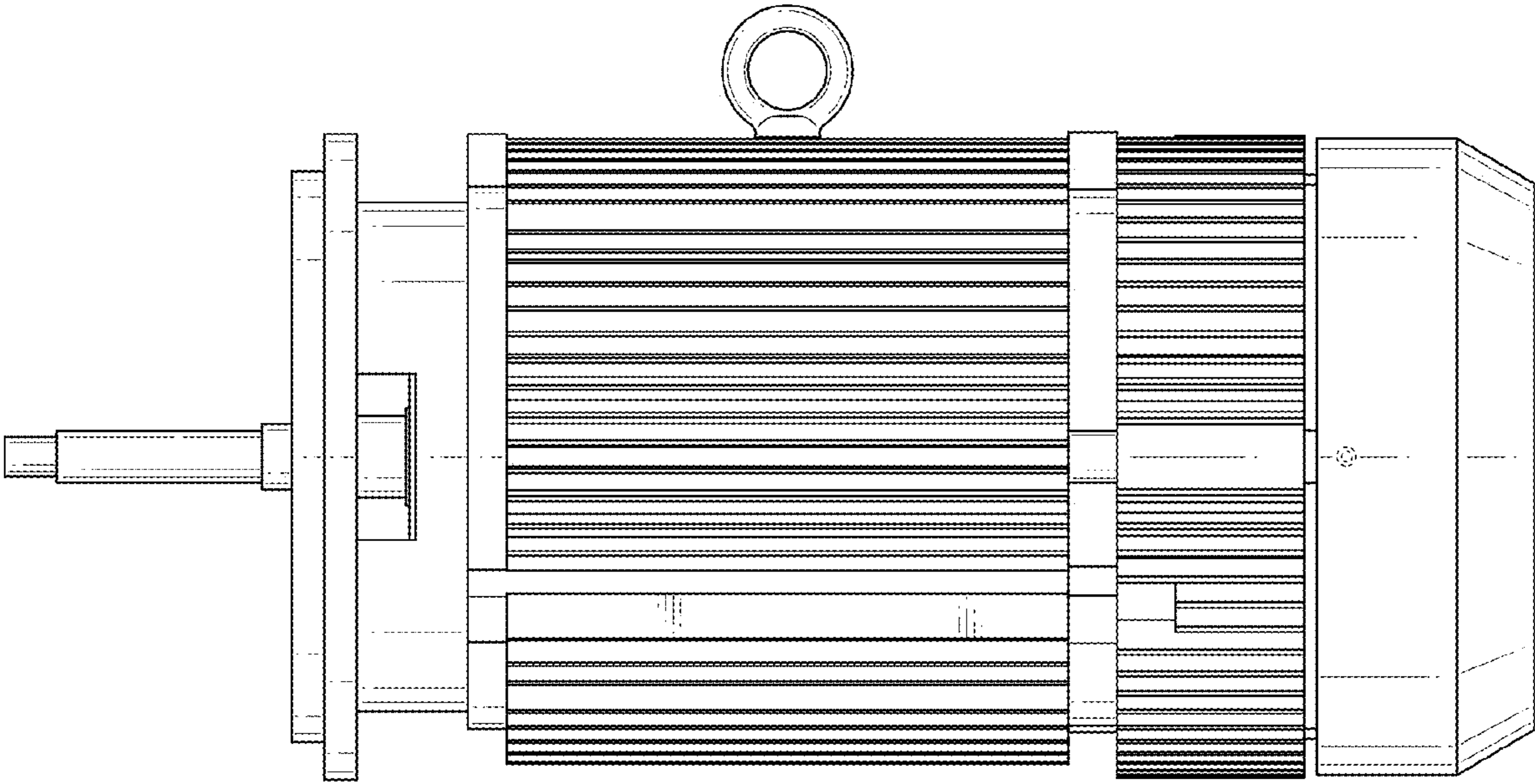


FIG. 5

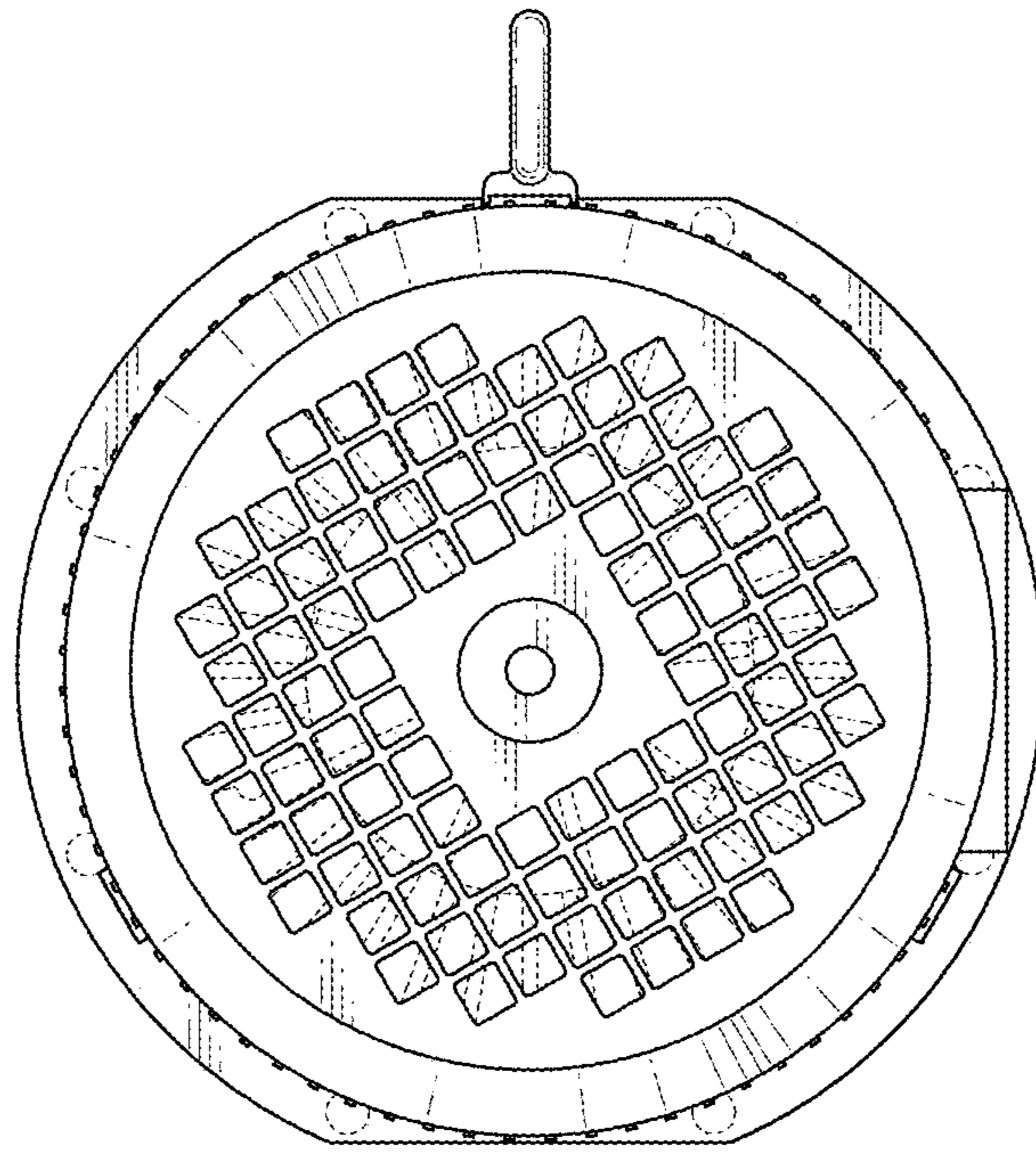


FIG. 6

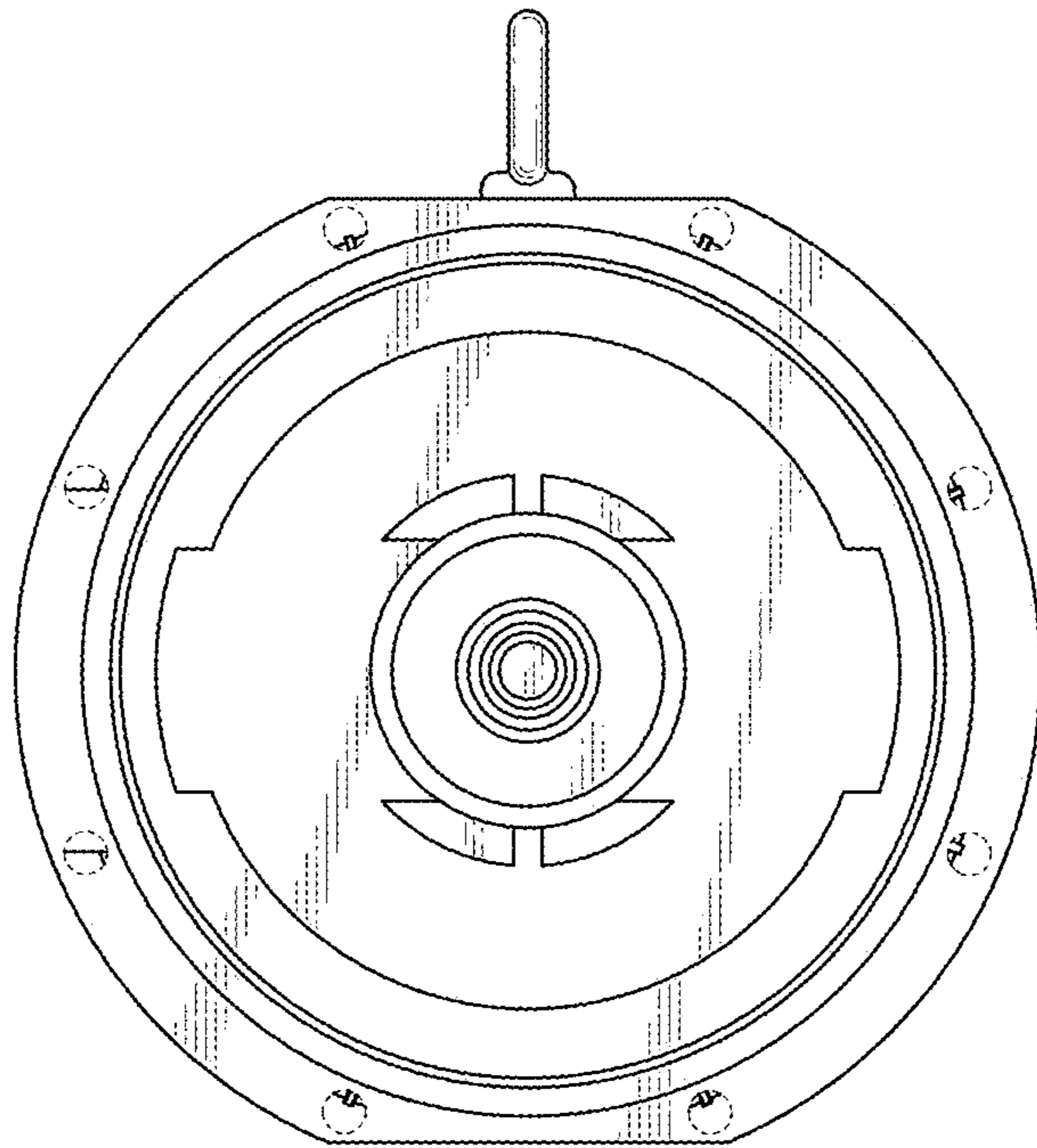


FIG. 7

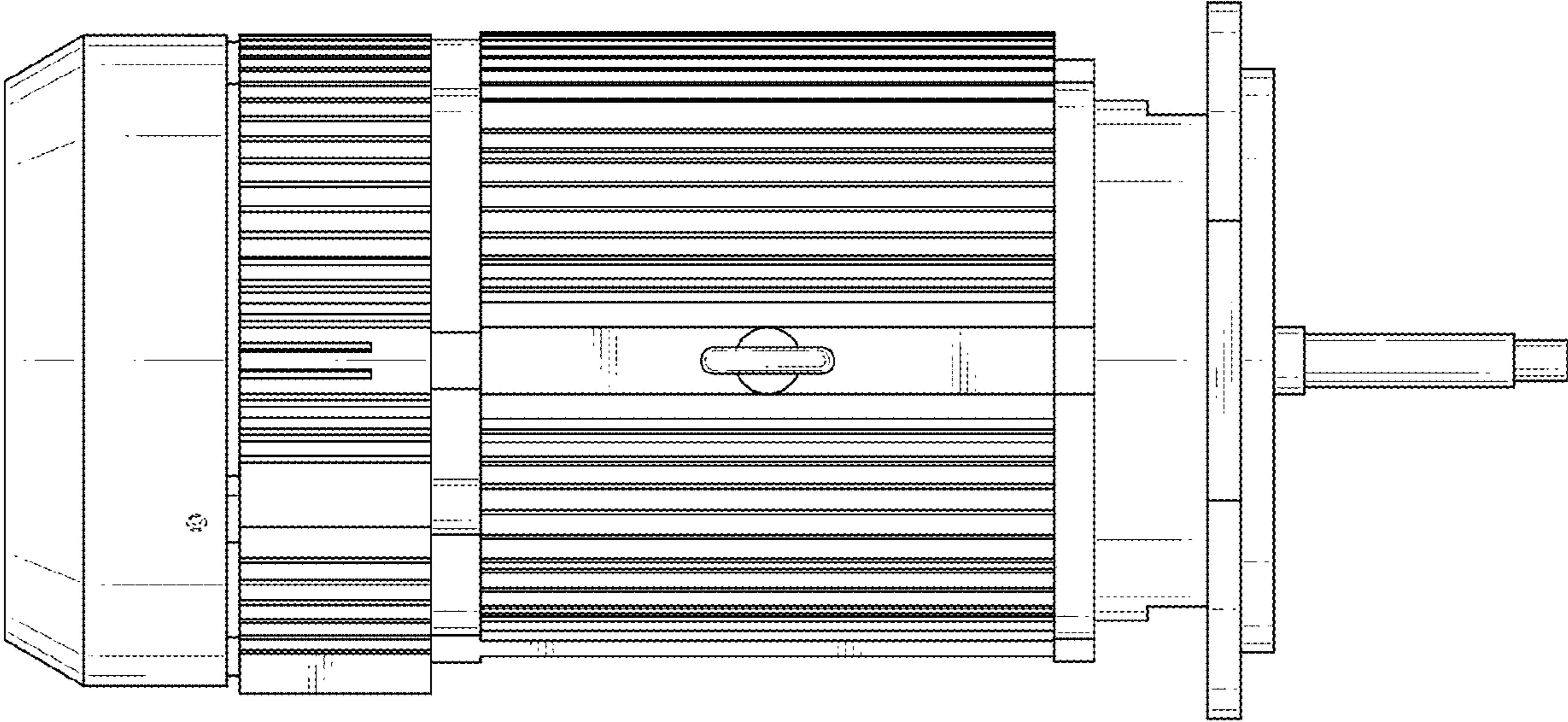


FIG. 8

