



US00D925438S

(12) **United States Design Patent** (10) **Patent No.:** **US D925,438 S**
Hu (45) **Date of Patent:** **** Jul. 20, 2021**

(54) **TIRE**
(71) Applicant: **HORIZON TIRE INC.**, Irwindale, CA (US)

D885,310 S * 5/2020 Yamaoka D12/521
D906,230 S * 12/2020 Sato D12/531
2020/0376896 A1 * 12/2020 Arakawa B60C 11/0304

(72) Inventor: **Danny Hu**, Irwindale, CA (US)

FOREIGN PATENT DOCUMENTS

(**) Term: **15 Years**

CN	301328073 S	8/2010
CN	301464371 S	2/2011
CN	301876995 S	4/2012
CN	302848909 S	6/2014
CN	302873060 S	7/2014
CN	303428484 S	11/2015
CN	303519755 S	12/2015
CN	303572122 S	1/2016
CN	304650811 S	5/2018
CN	305070645 S	3/2019

(21) Appl. No.: **29/716,594**

(22) Filed: **Dec. 11, 2019**

(51) **LOC (13) Cl.** **12-15**

(52) **U.S. Cl.**
USPC **D12/532**

* cited by examiner

(58) **Field of Classification Search**
USPC D12/500-532, 604
CPC Y10T 152/10027; B60C 1/0016; B60C 11/0306; B60C 11/0302; B60C 3/06; B60C 9/17

Primary Examiner — John A Voytek
(74) *Attorney, Agent, or Firm* — Platinum Intellectual Property LLP

See application file for complete search history.

(57) **CLAIM**

The ornamental design for a tire, as shown and described.

(56) **References Cited**

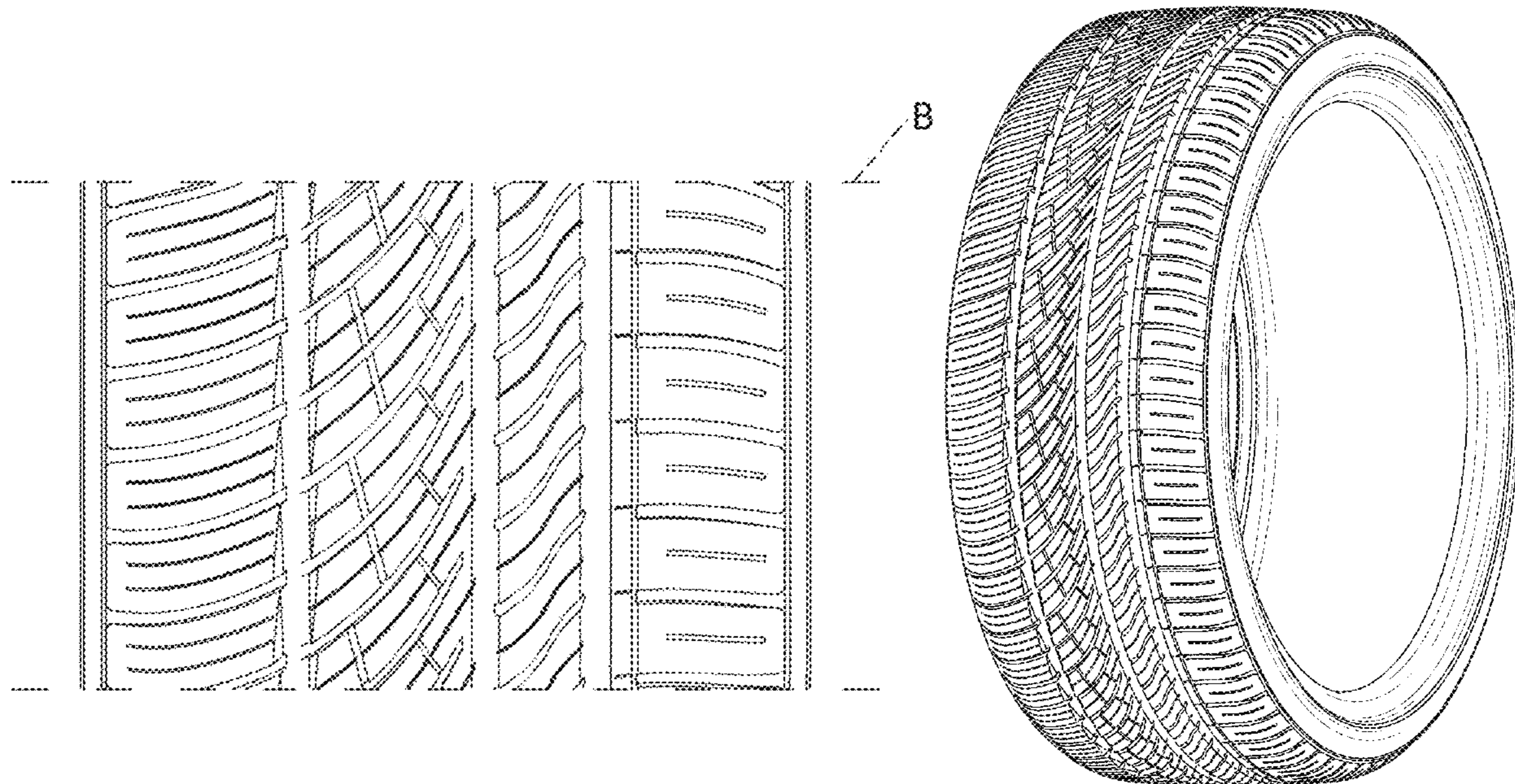
DESCRIPTION

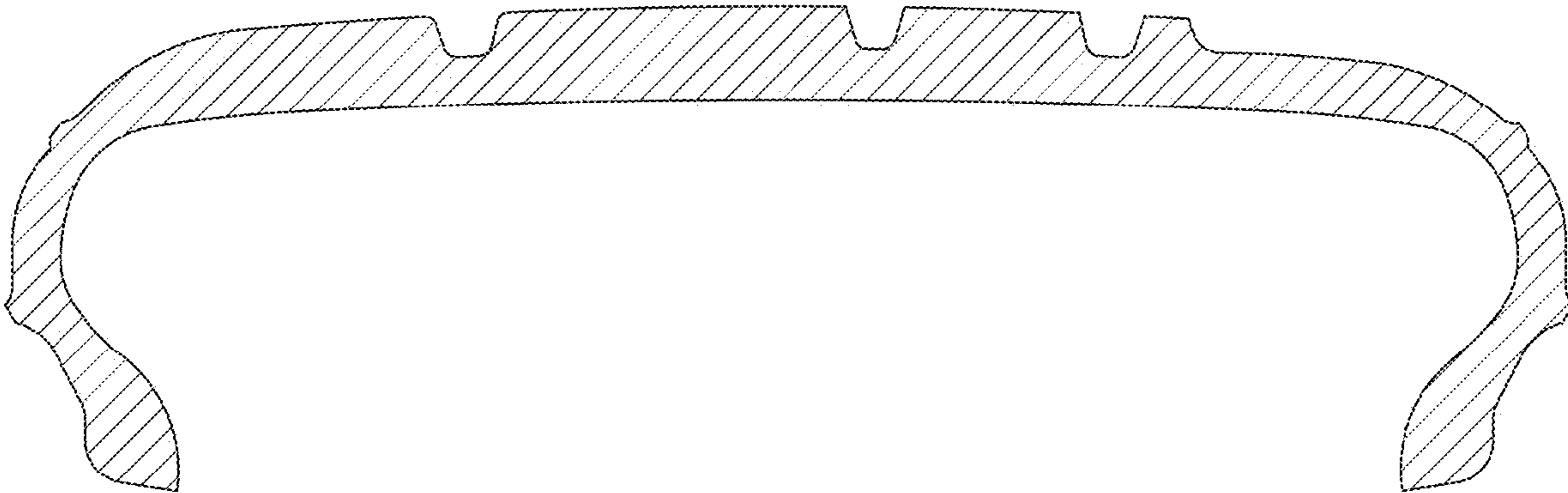
U.S. PATENT DOCUMENTS

D456,762 S	*	5/2002	Graas	D12/524
D476,946 S	*	7/2003	Lee	D12/524
D483,003 S	*	12/2003	Shirouzo	D12/517
D526,270 S	*	8/2006	Miyasaka	D12/532
D582,838 S	*	12/2008	Park	D12/519
D601,485 S	*	10/2009	Hughes	D12/521
D601,940 S	*	10/2009	Hughes	D12/521
D644,594 S	*	9/2011	Seng	D12/531
D644,595 S	*	9/2011	Iwabuchi	D12/532
D711,308 S	*	8/2014	Lamb	D12/532
D741,785 S	*	10/2015	Lamb	D12/531
D743,875 S	*	11/2015	Shondel	D12/532
D825,441 S	*	8/2018	Sato	D12/532
D857,617 S	*	8/2019	Sun	D12/532

FIG. 1 is a sectional view of a tire as shown in FIG. 6 according to the claimed design;
FIG. 2 is a top plan view thereof;
FIG. 3 is a rear view thereof;
FIG. 4 is a is an enlarged partial view of FIG. 2;
FIG. 5 is a perspective view thereof;
FIG. 6 is a front view thereof; and,
FIG. 7 is a side view thereof.
The broken lines shown in FIG. 4, bordering the enlarged partial view of the tire form no part of the claimed design.

1 Claim, 7 Drawing Sheets





Section A-A

FIG. 1

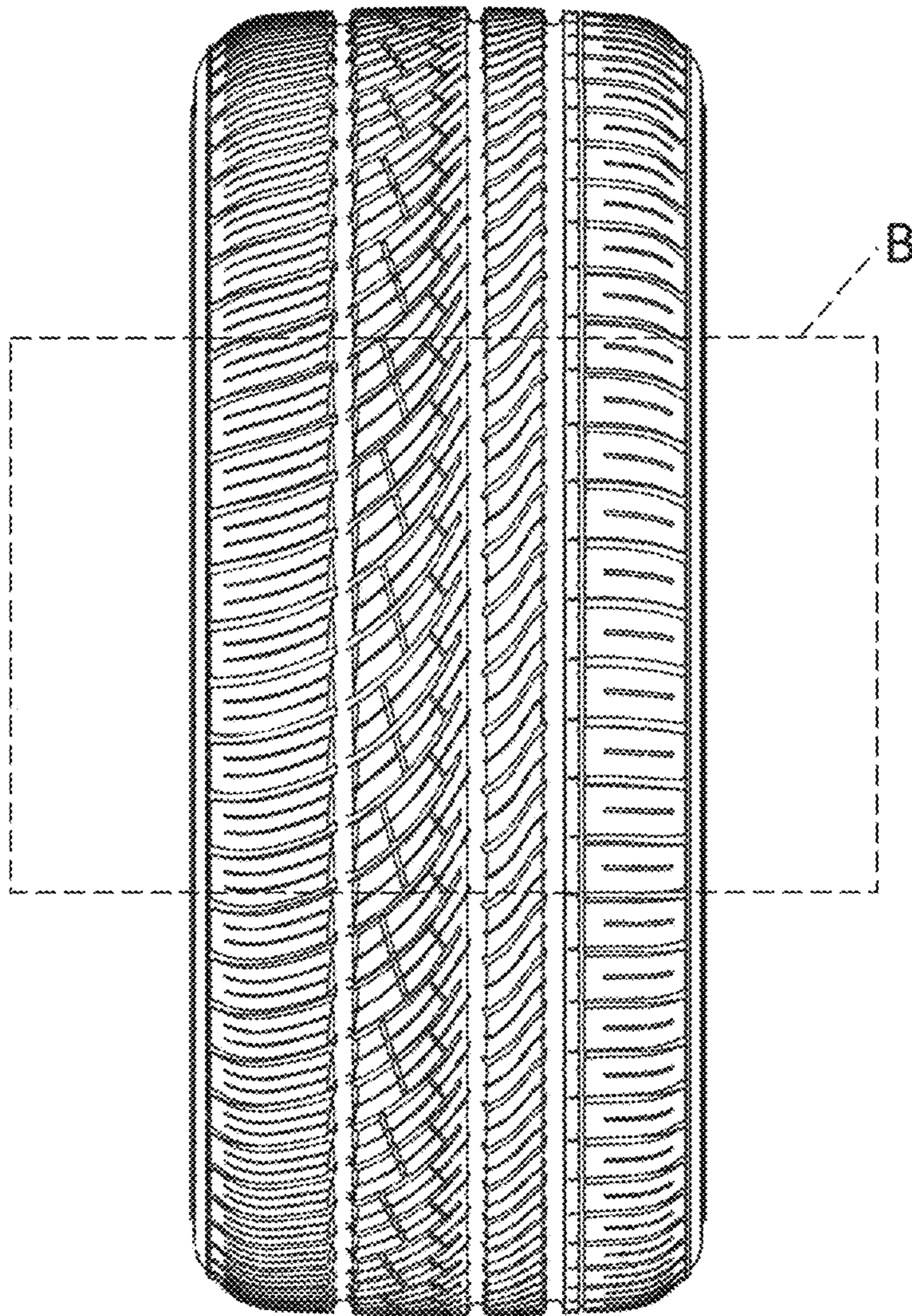


FIG. 2

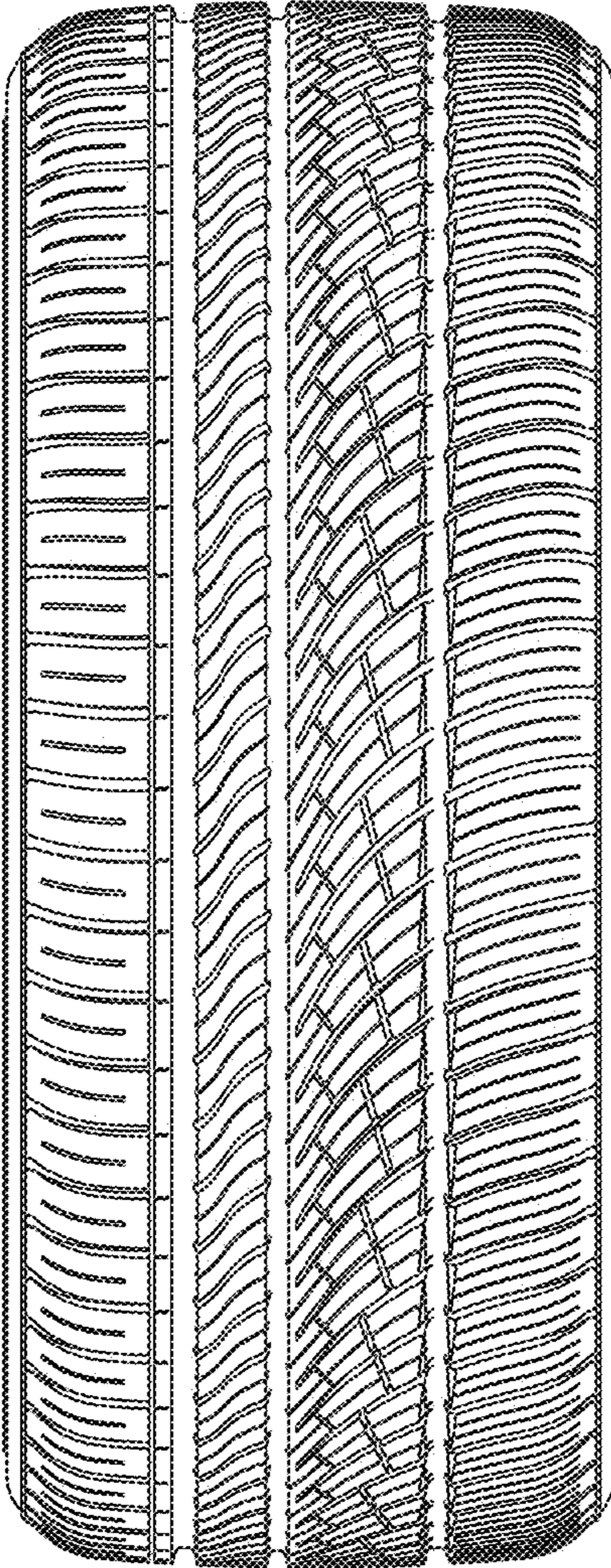


FIG. 3

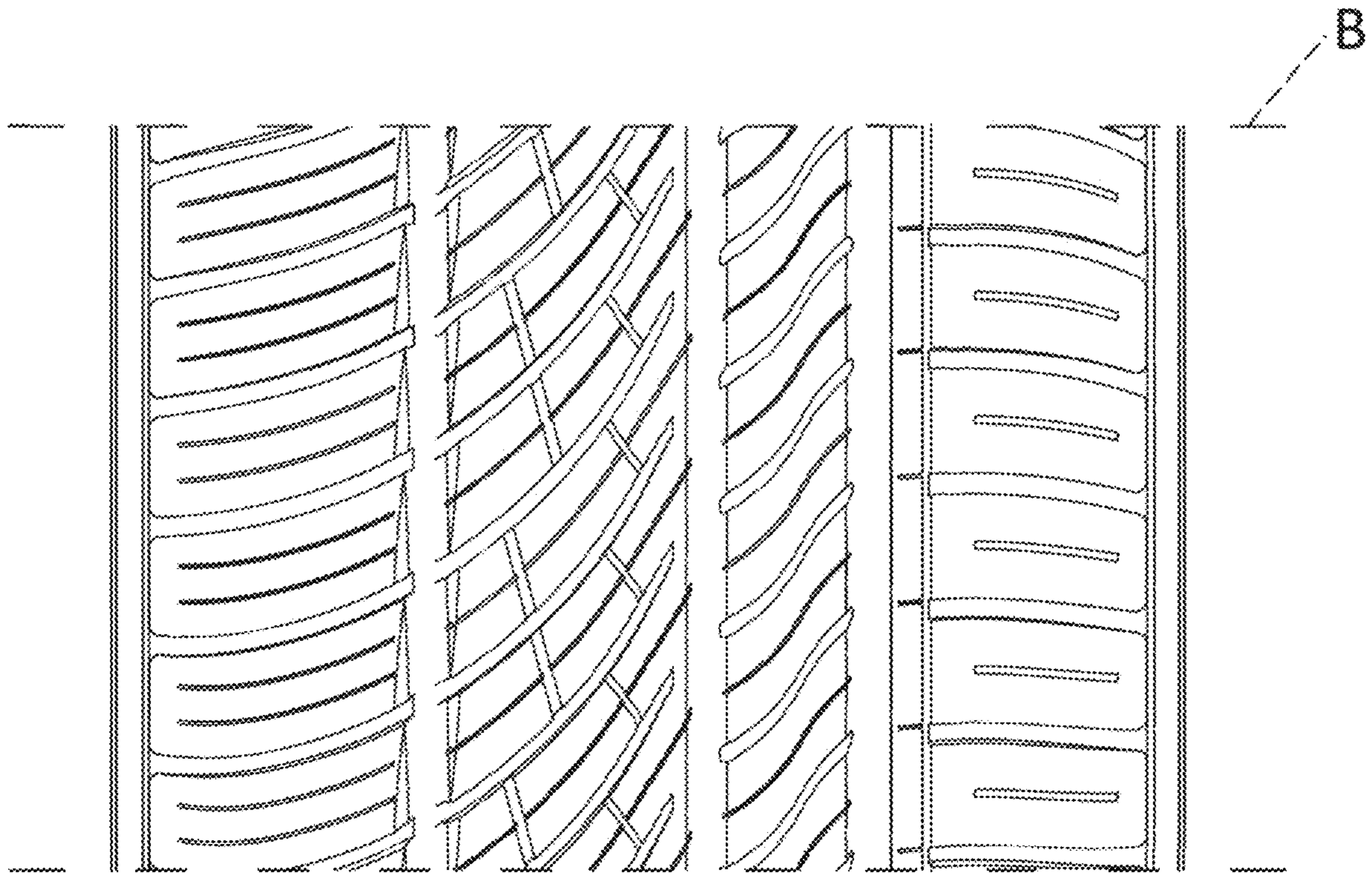


FIG. 4

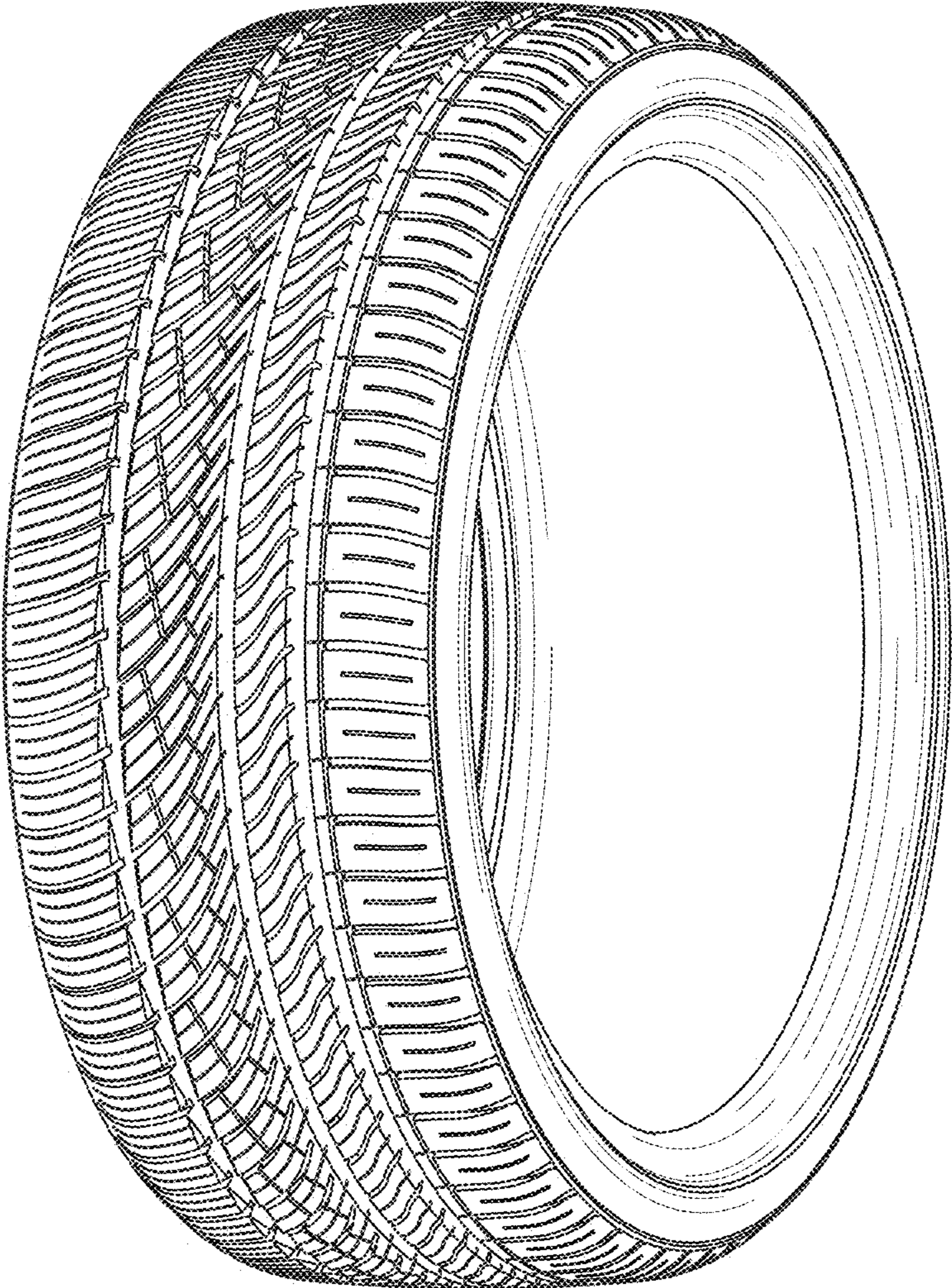


FIG. 5

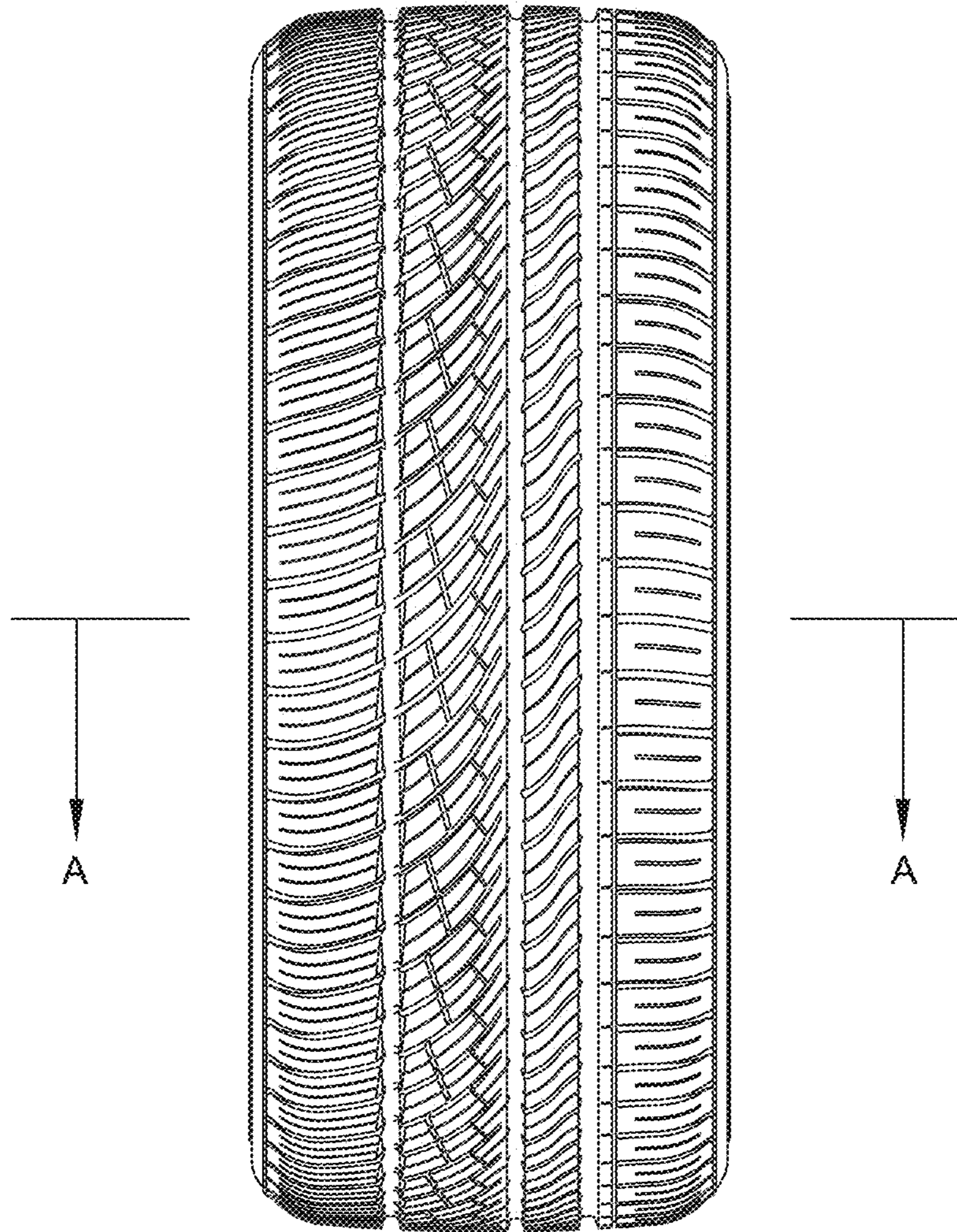


FIG. 6

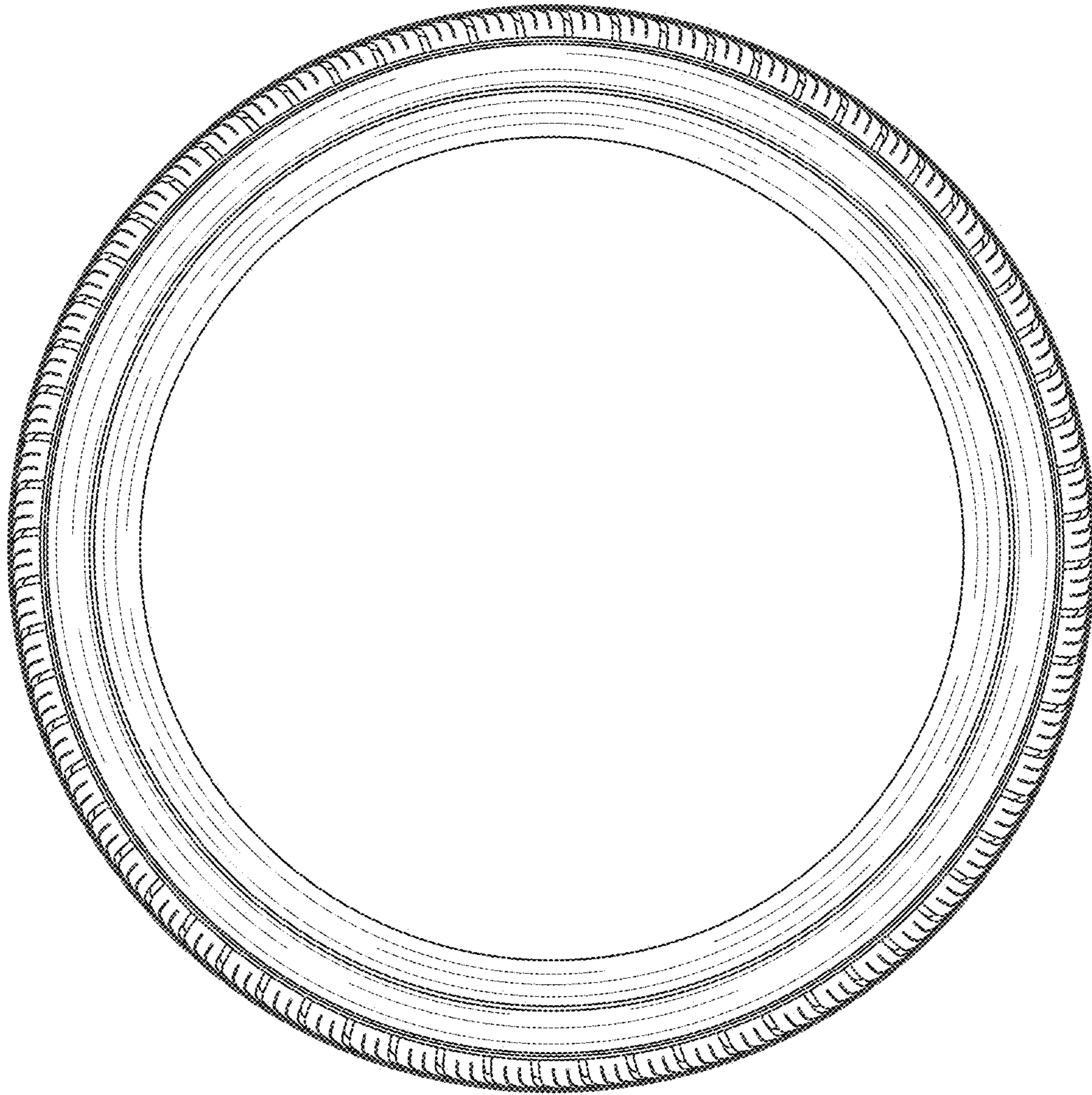


FIG. 7