



US00D925433S

(12) **United States Design Patent**
Filo

(10) **Patent No.:** **US D925,433 S**

(45) **Date of Patent:** **** Jul. 20, 2021**

- (54) **FEMPTO SATELLITE**
- (71) Applicant: **Andrew Simon Filo**, Cupertino, CA (US)
- (72) Inventor: **Andrew Simon Filo**, Cupertino, CA (US)
- (73) Assignee: **Andrew Simon Filo**, Cupertino, CA (US)
- (**) Term: **15 Years**
- (21) Appl. No.: **29/636,746**
- (22) Filed: **Feb. 11, 2018**
- (51) **LOC (13) Cl.** **12-02**
- (52) **U.S. Cl.**
USPC **D12/320**
- (58) **Field of Classification Search**
USPC D12/1-4, 16.1, 319-345; D21/301, 436, D21/441, 442, 443, 444, 447, 448, 449, D21/450, 451, 452, 453, 454, 455
CPC B64C 39/024; B64C 2201/108; B64C 2201/141; B64C 2201/024
See application file for complete search history.

8,798,816	B1 *	8/2014	Guyot	B64G 1/28	701/13
D748,037	S *	1/2016	Filo	D12/320	
D754,043	S *	4/2016	Bachorski	D12/192	
D788,016	S *	5/2017	Blinchow	D12/320	
D797,642	S *	9/2017	Smallhorn	D12/345	
D797,644	S *	9/2017	Smallhorn	D12/345	
D807,843	S *	1/2018	Harris	D14/126	
D811,352	S *	2/2018	Lee	D13/171	
D824,459	S *	7/2018	Liang	D21/566	
D831,585	S *	10/2018	Lee	D13/162	
D840,884	S *	2/2019	Lu	D12/174	
D843,888	S *	3/2019	Wang	D12/16.1	
10,263,316	B2 *	4/2019	Harvey	H01Q 1/1235	
D865,637	S *	11/2019	Zhang	D12/328	
D880,550	S *	4/2020	Sokuza	D15/199	
D887,332	S *	6/2020	Neathery	D12/192	
D889,378	S *	7/2020	Long	D12/345	
D890,076	S *	7/2020	Long	D12/345	

(Continued)

OTHER PUBLICATIONS

Fempto Satellites by Nasa. Principal Investigator listed as applicant: Andrew Filo. publication not dated. expedition duration reference photos dated Sep. 2017-Feb. 2018. found online [Aug. 21, 2020] https://www.nasa.gov/mission_pages/station/research/experiments/explorer/Investigation.html?#id=7637.*

Primary Examiner — Marissa J Cash

(56) **References Cited**
U.S. PATENT DOCUMENTS

5,373,306	A *	12/1994	Amore	H01Q 1/002	343/872
6,616,104	B1 *	9/2003	Cheng	B64G 1/1007	244/158.6
6,883,757	B2 *	4/2005	Goodzeit	B64G 1/365	244/165
D506,733	S *	6/2005	Boyer, Jr.	D14/126	
D515,522	S *	2/2006	Vitito	D14/126	
D580,898	S *	11/2008	Aihara	D14/132	
D669,013	S *	10/2012	Schreuder	D12/345	
8,757,554	B1 *	6/2014	Harvey	B64G 1/44	244/172.9

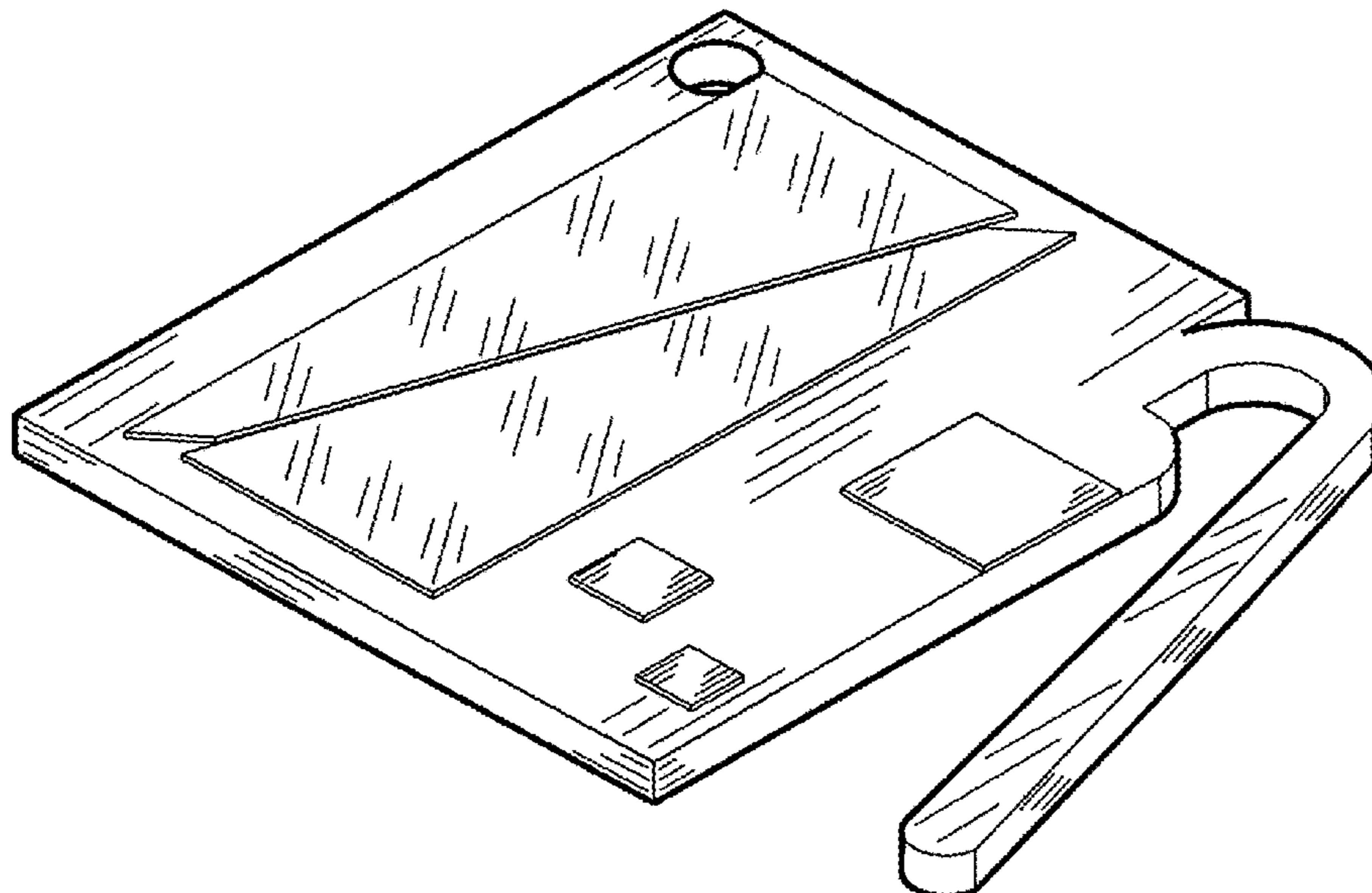
(57) **CLAIM**

The ornamental design for a fempto satellite, as shown.

DESCRIPTION

FIG. 1 is an isometric view of the fempto satellite showing my new design;
FIG. 2 is a top view thereof;
FIG. 3 is a bottom view thereof;
FIG. 4 is a back view thereof; and,
FIG. 5 is a front view thereof.

1 Claim, 5 Drawing Sheets



(56)

References Cited

U.S. PATENT DOCUMENTS

D890,079 S * 7/2020 Chen D12/423
2005/0037749 A1 * 2/2005 Karabinis H04B 7/1851
455/427
2005/0272369 A1 * 12/2005 Karabinis H04B 7/18539
455/12.1

* cited by examiner

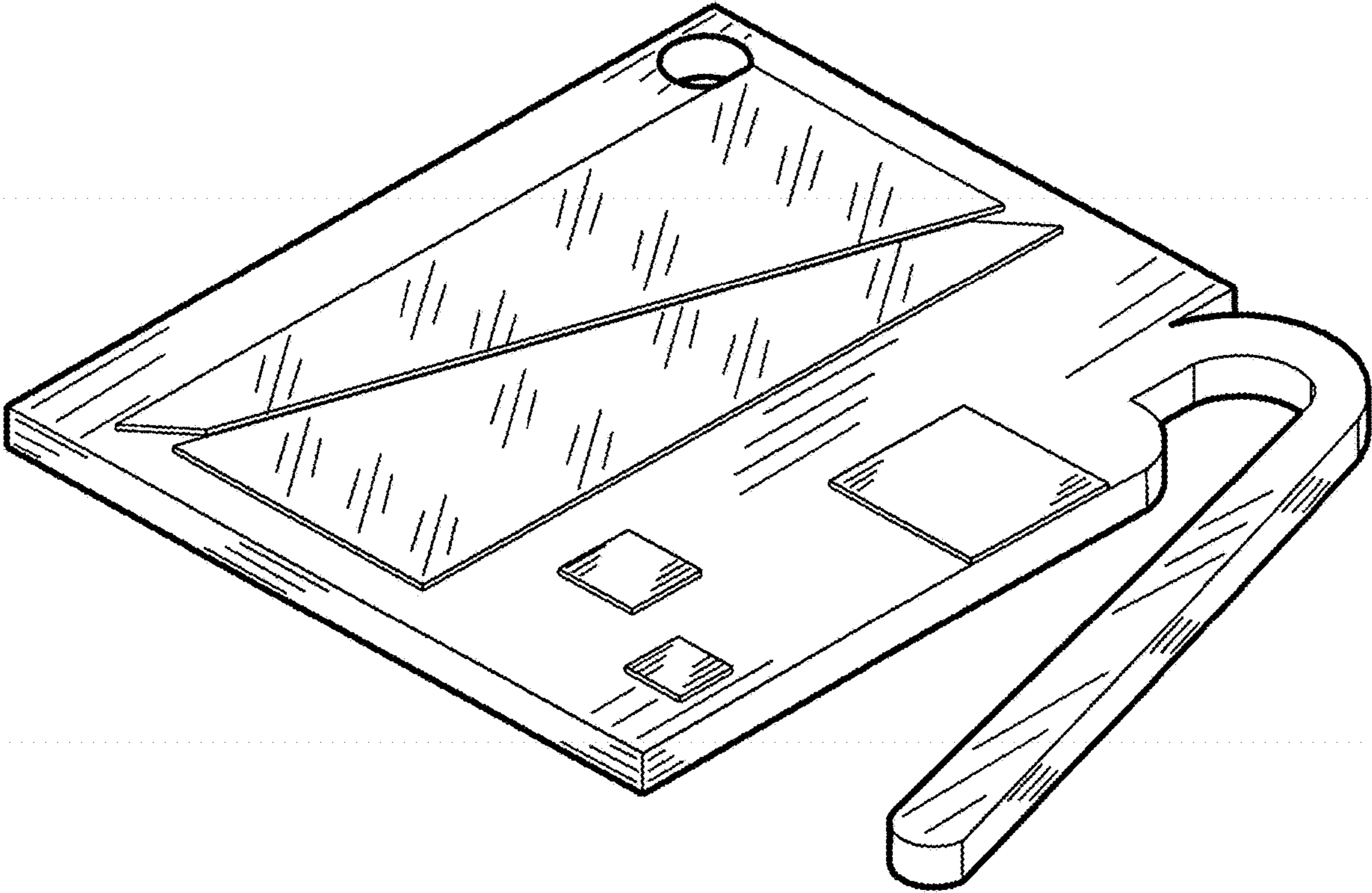


Fig. 1

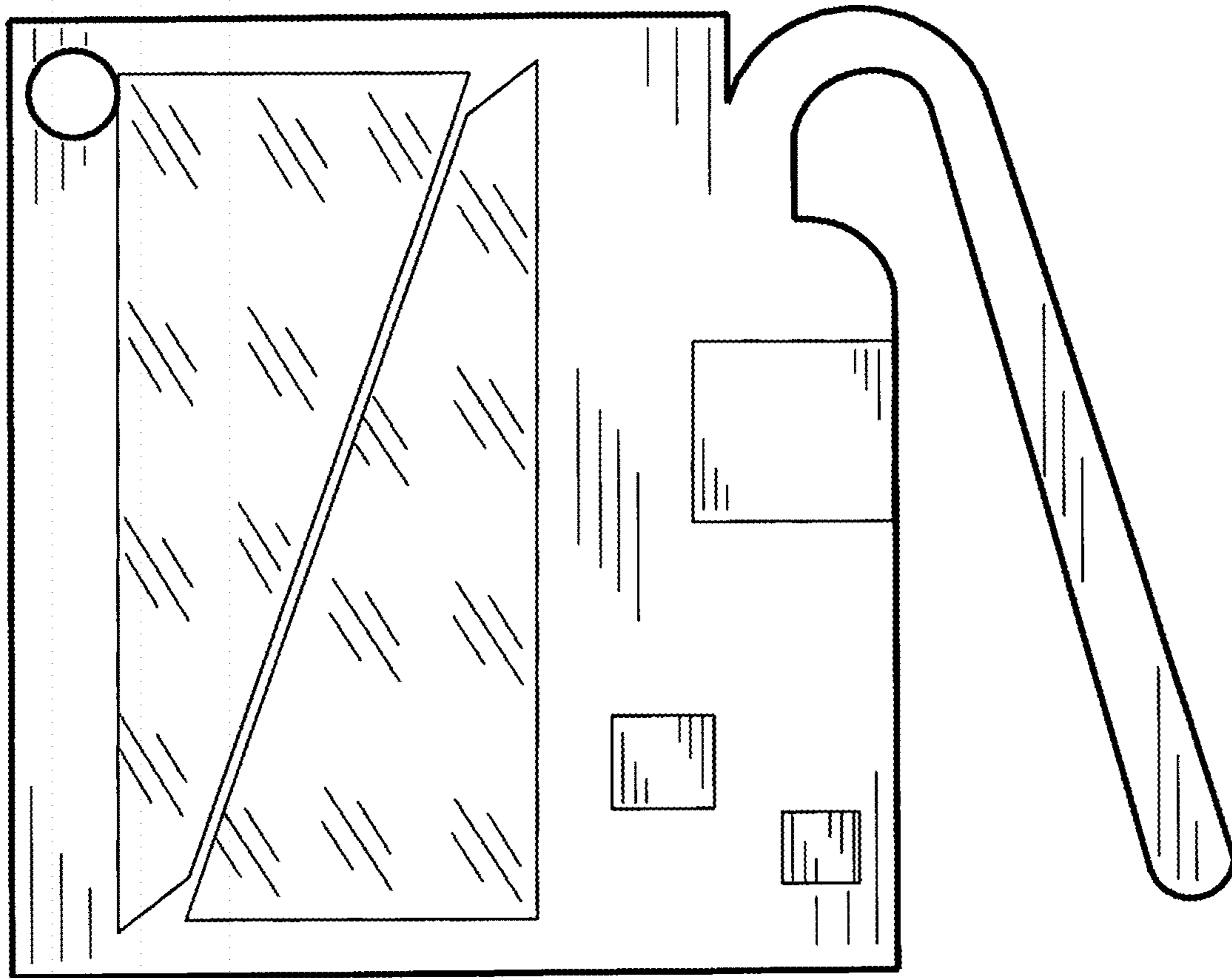


Fig.2

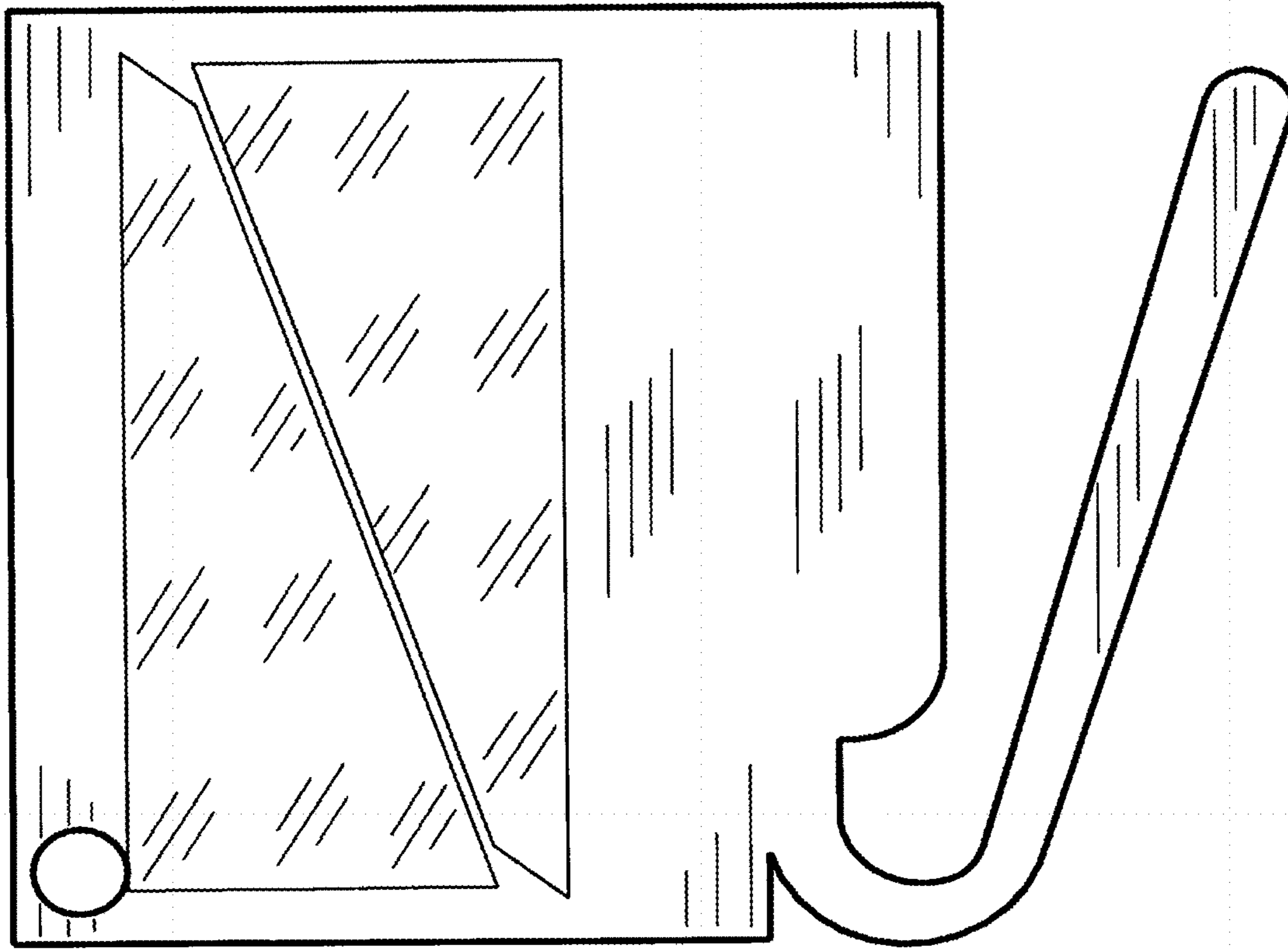


Fig.3

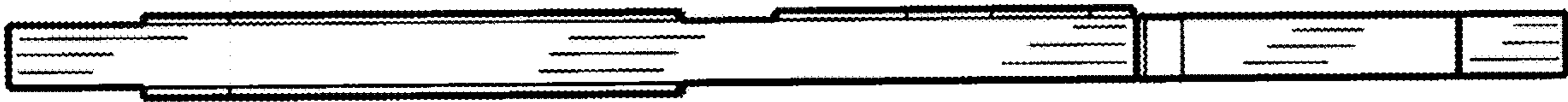


Fig.4

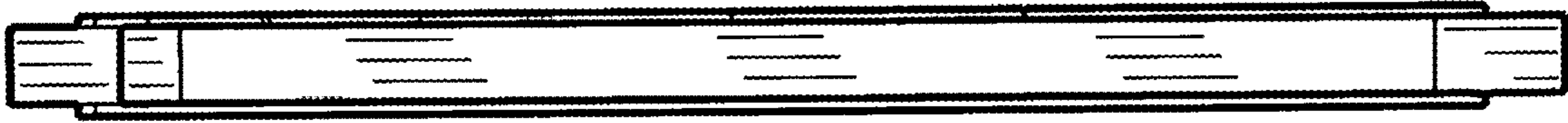


Fig.5