

US00D925432S

(12) **United States Design Patent**  
**Builder et al.**

(10) **Patent No.:** **US D925,432 S**

(45) **Date of Patent:** **\*\* \*Jul. 20, 2021**

- (54) **PLATFORM FOR YACHTS**
- (71) Applicant: **Nautibuoy Marine Limited**, Devon (GB)
- (72) Inventors: **Clay Livingston Builder**, Dartington (GB); **Nina Anderson**, Dartington (GB)
- (73) Assignee: **Nautibuoy Marine Limited**, Devon (GB)

8,336,143	B2 *	12/2012	Lemmer	.....	A47C 27/081
					5/710
8,702,461	B1 *	4/2014	d'Offay	.....	B63B 35/58
					441/40
9,302,749	B1 *	4/2016	D'Offay	.....	B63B 7/082
10,293,897	B2 *	5/2019	Ruiz	.....	B63B 35/58
D900,702	S *	11/2020	Builder	.....	D12/316
D900,703	S *	11/2020	Builder	.....	D12/316
D900,704	S *	11/2020	Builder	.....	D12/316
D900,705	S *	11/2020	Builder	.....	D12/316
2001/0036782	A1 *	11/2001	Gredy	.....	B63B 21/00
					441/129
2005/0208849	A1 *	9/2005	Ferrara	.....	B63C 9/081
					441/129

(\*) Notice: This patent is subject to a terminal disclaimer.

(\*\*) Term: **15 Years**

(21) Appl. No.: **29/709,498**

(22) Filed: **Oct. 15, 2019**

(30) **Foreign Application Priority Data**

Dec. 4, 2019 (EM) ..... 006377305-0010

(51) **LOC (13) Cl.** ..... **12-06**

(52) **U.S. Cl.**  
USPC ..... **D12/316**

(58) **Field of Classification Search**  
USPC ..... D12/223, 300, 305, 308, 309, 316, 317,  
D12/318, 400; D21/542, 769, 801, 802,  
D21/803, 810  
CPC .... B63C 1/02; B63C 1/04; B63C 1/08; B63C  
1/10; B63C 1/12; B63B 7/08; B63B  
7/082; B63B 2737/00; B63B 2027/145;  
B63B 2029/022

See application file for complete search history.

(56) **References Cited**

**U.S. PATENT DOCUMENTS**

2,549,597	A *	4/1951	Harris	.....	A47C 27/087
					5/711
4,371,999	A *	2/1983	Reid	.....	A47C 27/087
					5/711
D629,484	S *	12/2010	Jackson	.....	D21/803

**FOREIGN PATENT DOCUMENTS**

EP 3489003 A1 \* 5/2019 ..... B29C 65/5057

**OTHER PUBLICATIONS**

Nautiboy Platform, Published on Apr. 23, 2015 [online], [retrieved on Feb. 26, 2021]. Retrieved from the Internet: <https://www.youtube.com/watch?v=4OQR73g-0Vc> (Year: 2015).\*

\* cited by examiner

*Primary Examiner* — Christian P. McLean  
*Assistant Examiner* — Adam C Mager  
(74) *Attorney, Agent, or Firm* — Optimus Patents US, LLC

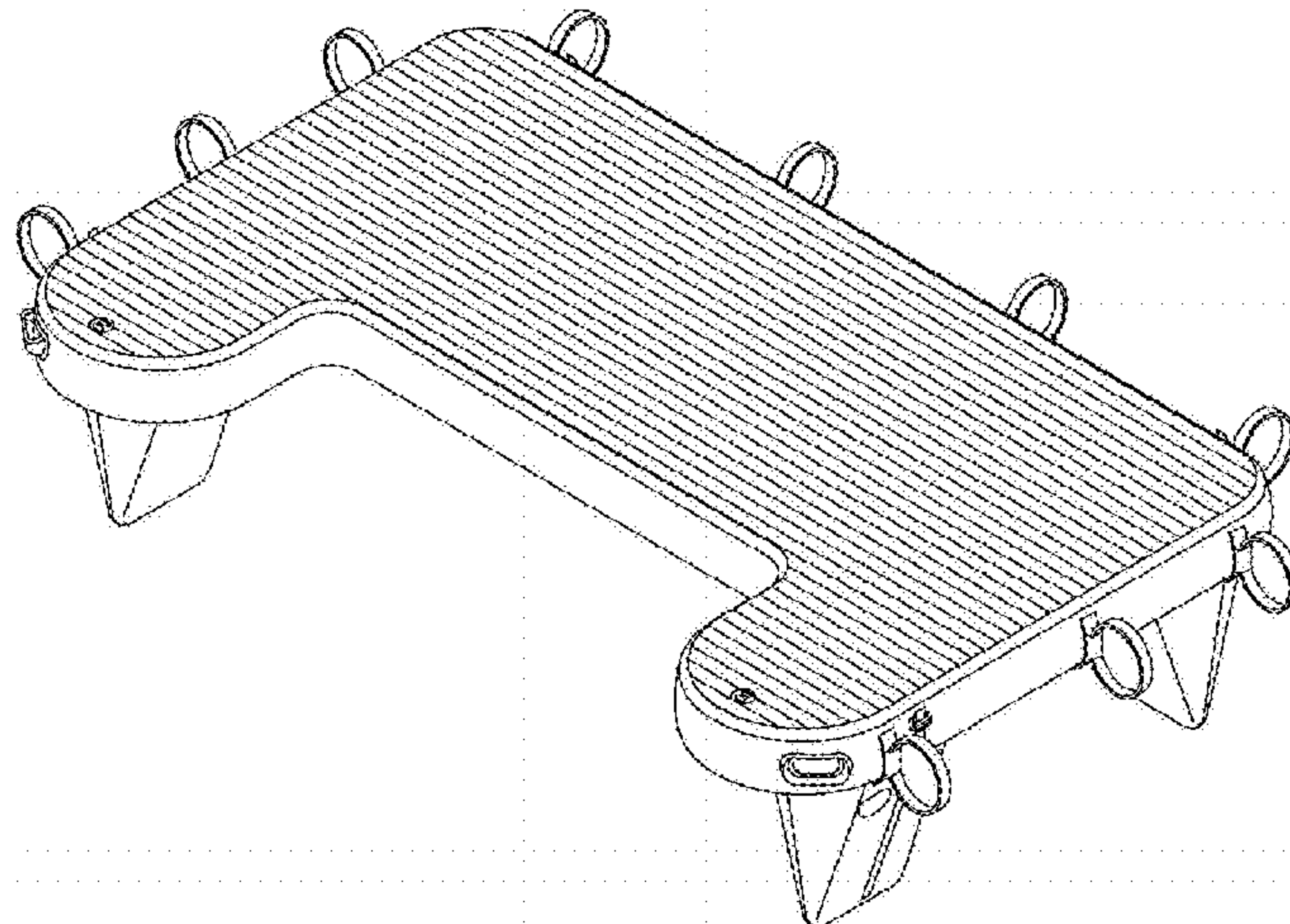
(57) **CLAIM**

The ornamental design for a platform for yachts, as shown and described.

**DESCRIPTION**

FIG. 1 is a top perspective view of a platform for yachts; FIG. 2 is a top view thereof; FIG. 3 is a bottom view thereof; FIG. 4 is a left side view thereof; FIG. 5 is a right side view thereof; FIG. 6 is a front side view thereof; and, FIG. 7 is back side view thereof.

**1 Claim, 7 Drawing Sheets**



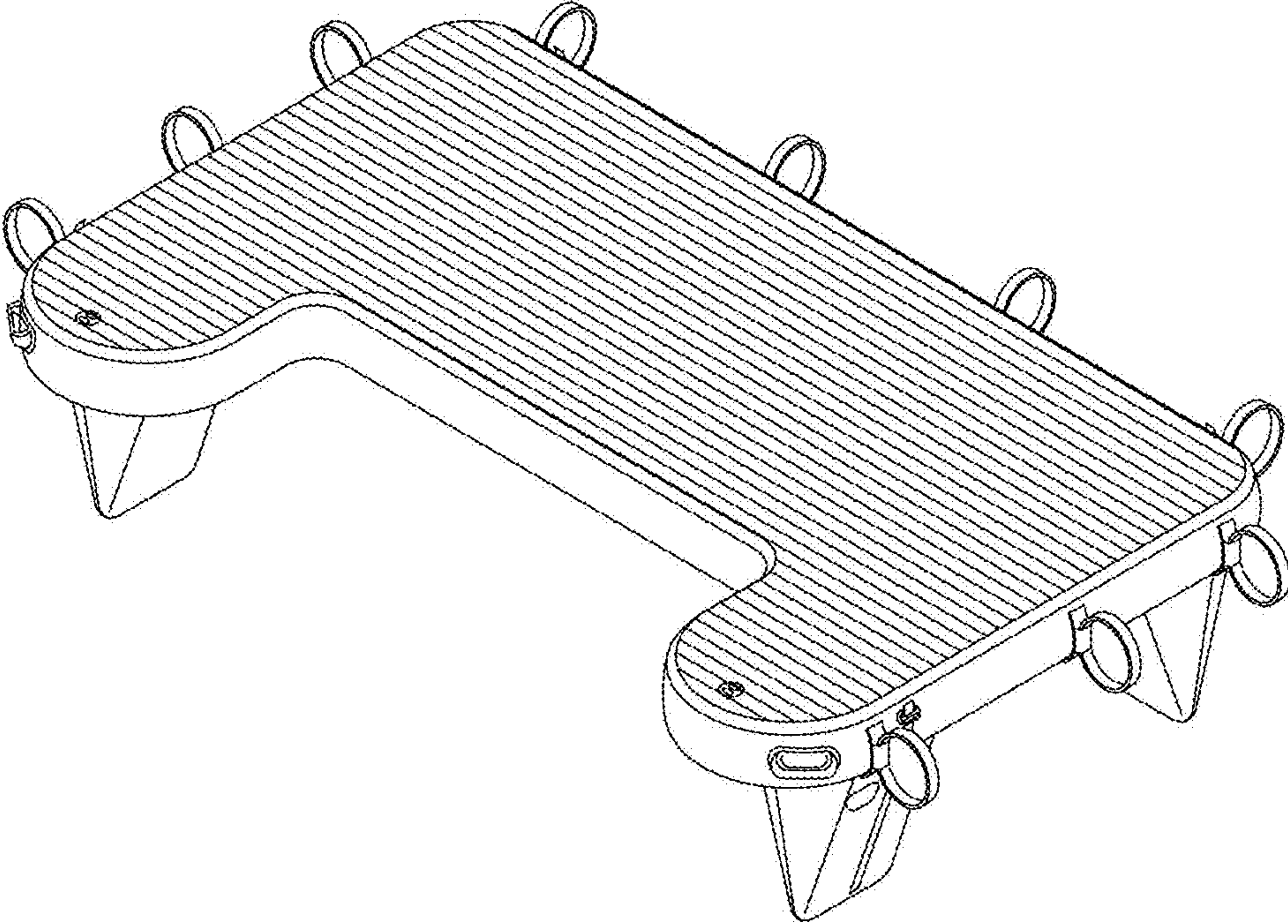


FIG. 1

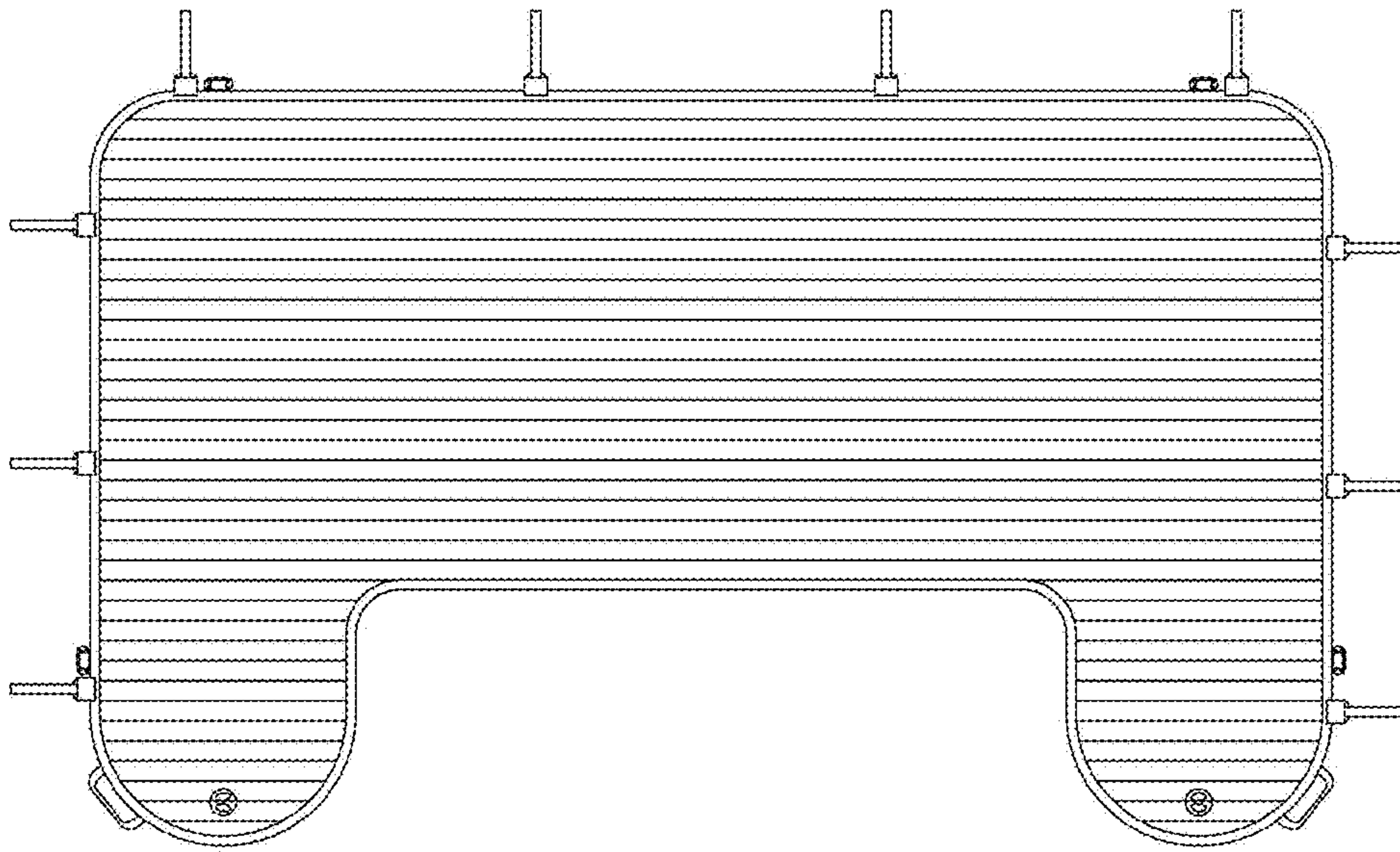


FIG. 2

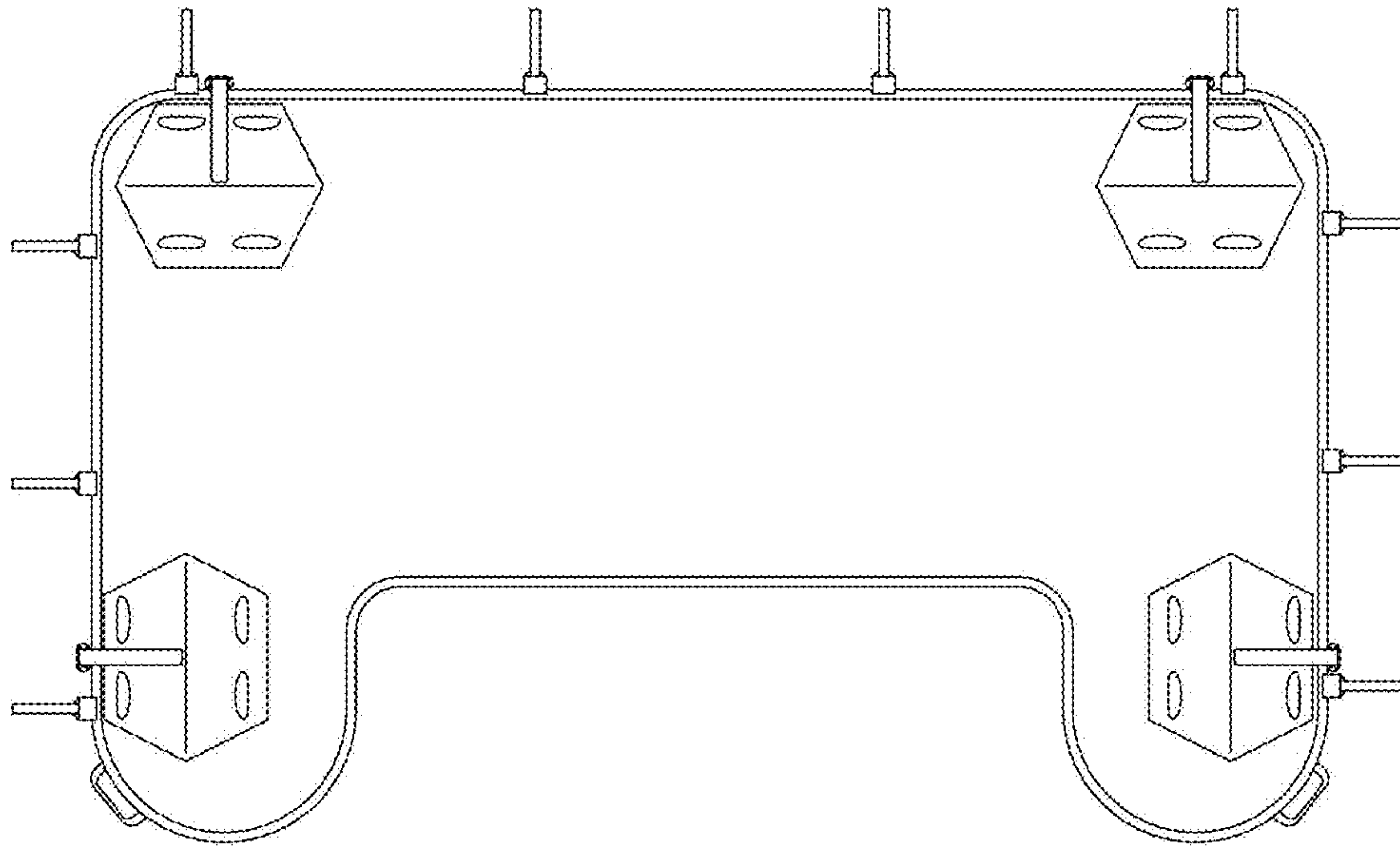


FIG. 3



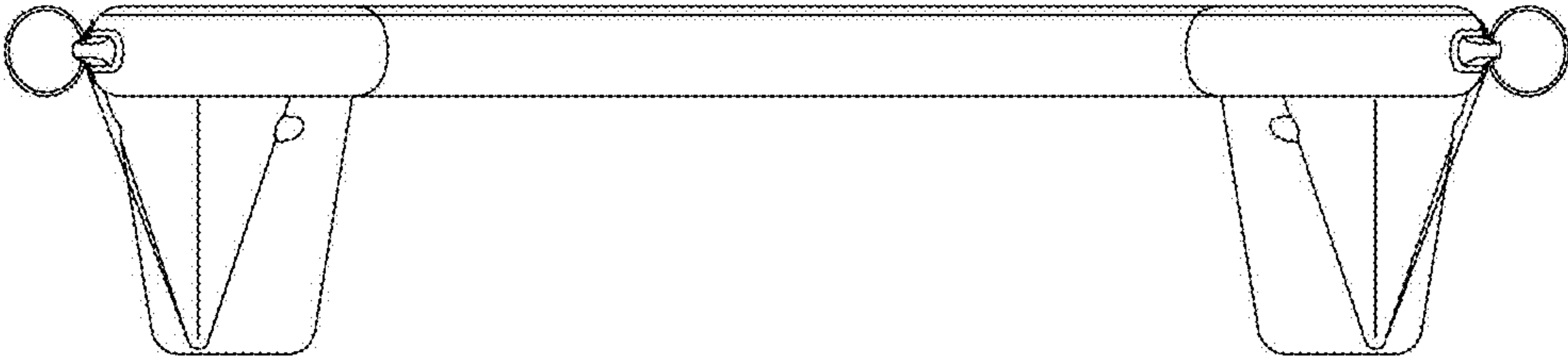


FIG. 4

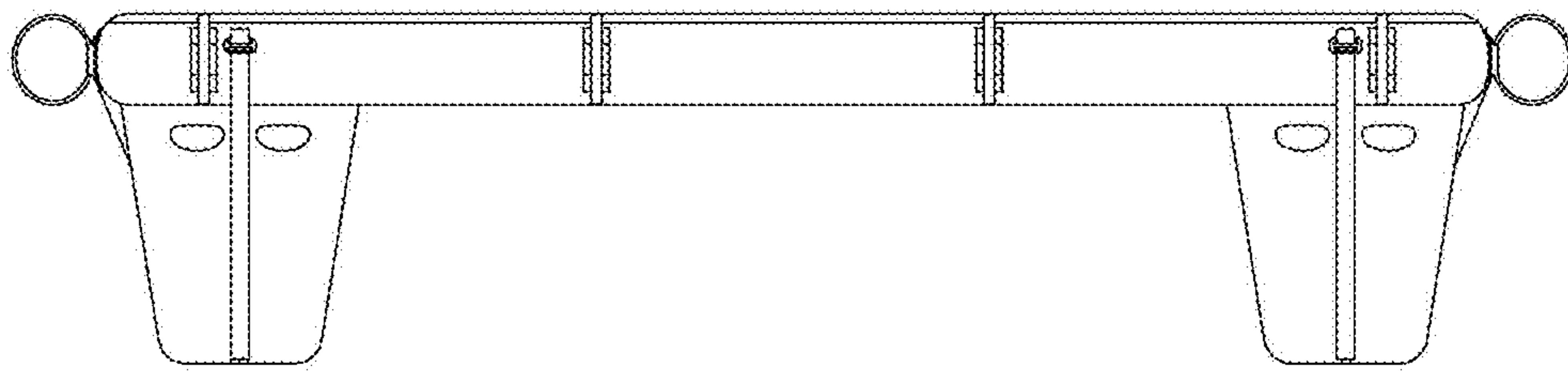


FIG. 5

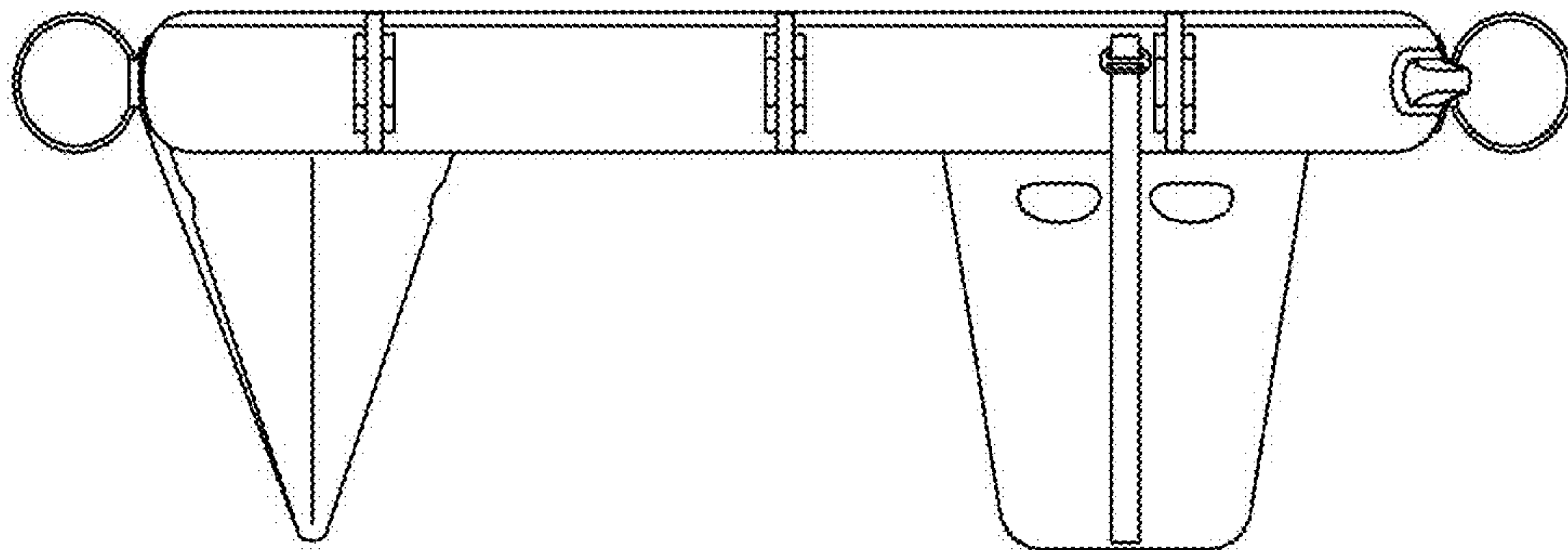


FIG. 6

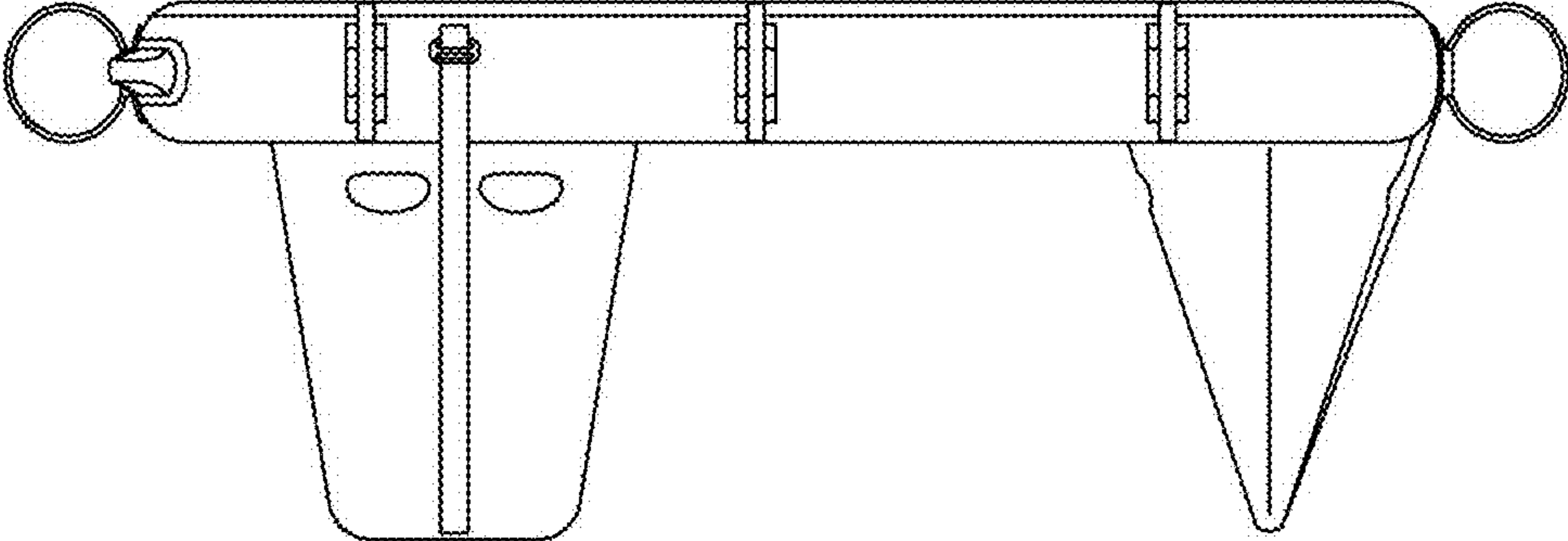


FIG. 7