



US00D925431S

(12) **United States Design Patent** (10) **Patent No.:** **US D925,431 S**
Builder et al. (45) **Date of Patent:** **** Jul. 20, 2021**

(54) **PLATFORM FOR YACHTS**
(71) Applicant: **Nautibuoy Marine Limited**, Devon (GB)
(72) Inventors: **Clay Livingston Builder**, Dartington (GB); **Nina Anderson**, Dartington (GB)
(73) Assignee: **Nautibuoy Marine Limited**, Devon (GB)

D883,178 S * 5/2020 Builder D12/316
D900,702 S * 11/2020 Builder A47C 16/025
D12/316
D900,703 S * 11/2020 Builder A47C 16/025
D12/316
D900,704 S * 11/2020 Builder D12/316
D900,705 S * 11/2020 Builder D12/316
D901,366 S * 11/2020 Builder D12/316
D902,612 S * 11/2020 Hu A47C 16/02
D6/349

(**) Term: **15 Years**
(21) Appl. No.: **29/709,481**
(22) Filed: **Oct. 15, 2019**

(30) **Foreign Application Priority Data**
Apr. 12, 2019 (EM) 006377305-0007
(51) **LOC (13) Cl.** **12-06**
(52) **U.S. Cl.**
USPC **D12/316**
(58) **Field of Classification Search**
USPC D6/334-338, 340-343, 349-353, 355,
D6/364-365, 691-691.9, 692-692.6,
D6/716-716.1; D25/65; D12/316
CPC A47B 7/00-02; A47C 11/00; A47C 12/00;
A47C 13/00; A47C 16/00; A47C
16/02-04; A47C 9/00-105; A47K 17/02;
A47K 17/028
See application file for complete search history.

(56) **References Cited**
U.S. PATENT DOCUMENTS
2,941,215 A * 6/1960 Johnson A47C 16/02
5/507.1
D307,800 S * 5/1990 Hradisky D25/65
5,544,941 A * 8/1996 Campbell A47C 16/025
297/423.45
5,577,806 A * 11/1996 Ugalde A47C 16/025
108/5
D792,118 S * 7/2017 Winfield D6/349

OTHER PUBLICATIONS

Extra Accessories for Nautibuoy Marine Inflatable Platforms. [online] Retrieved Dec. 22, 2020 from URL: <https://nautibuoymarine.com/platforms/leisure/>.
Platforms. [online] Retrieved Dec. 22, 2020 from URL: <https://theyachtbeach.com/yb-platforms/>.

* cited by examiner

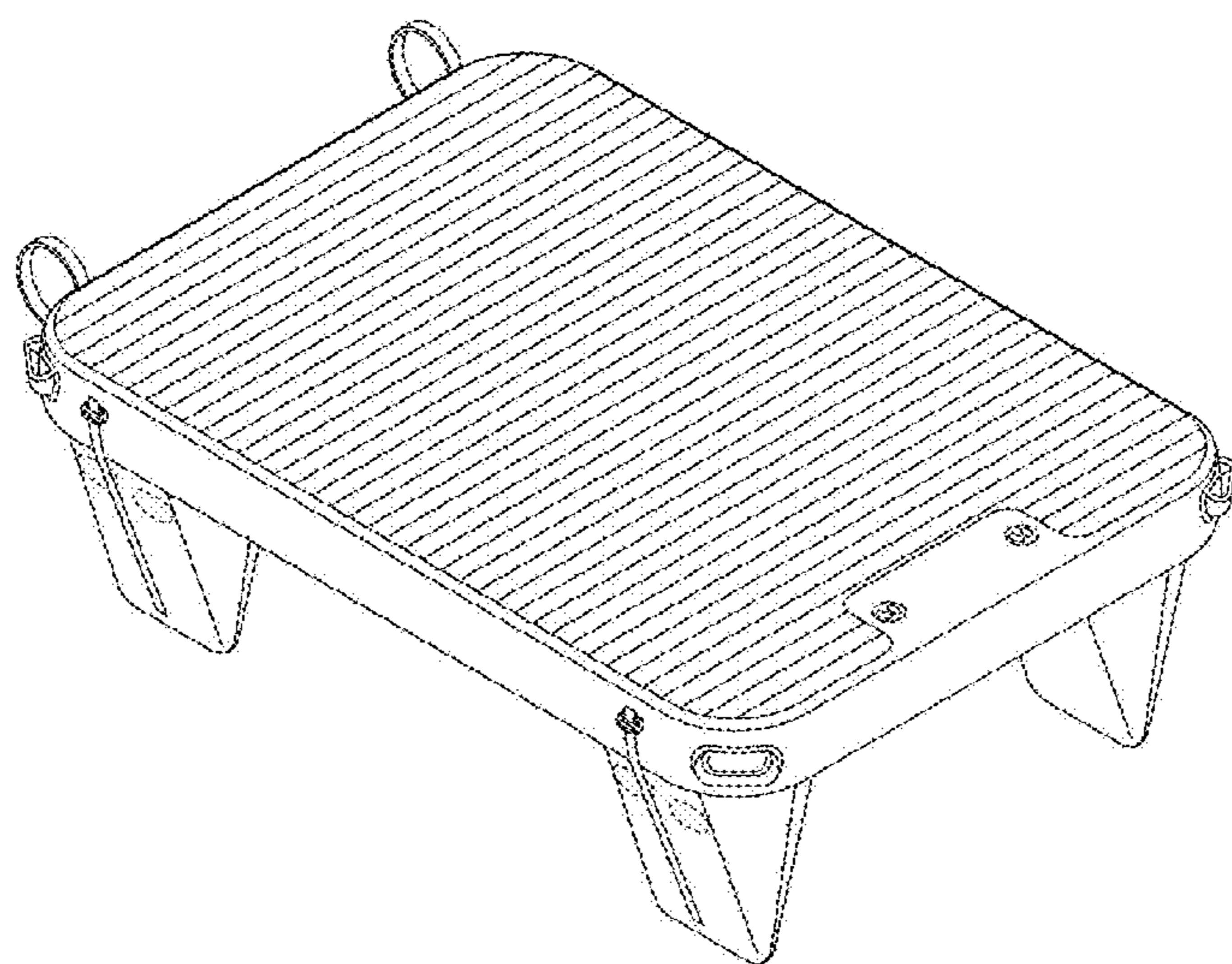
Primary Examiner — Vy N Koenig
(74) *Attorney, Agent, or Firm* — Optimus Patents US, LLC

(57) **CLAIM**
The ornamental design for a platform for yachts, as shown and described.

DESCRIPTION

FIG. 1 is a top perspective view of a platform for yachts showing our new design;
FIG. 2 is a top view thereof;
FIG. 3 is a bottom view thereof;
FIG. 4 is a left side view thereof;
FIG. 5 is a right side view thereof;
FIG. 6 is a front side view thereof; and,
FIG. 7 is a back side view thereof.
The broken lines shown in the drawings depict portions of the platform that form no part of the claimed design.

1 Claim, 7 Drawing Sheets



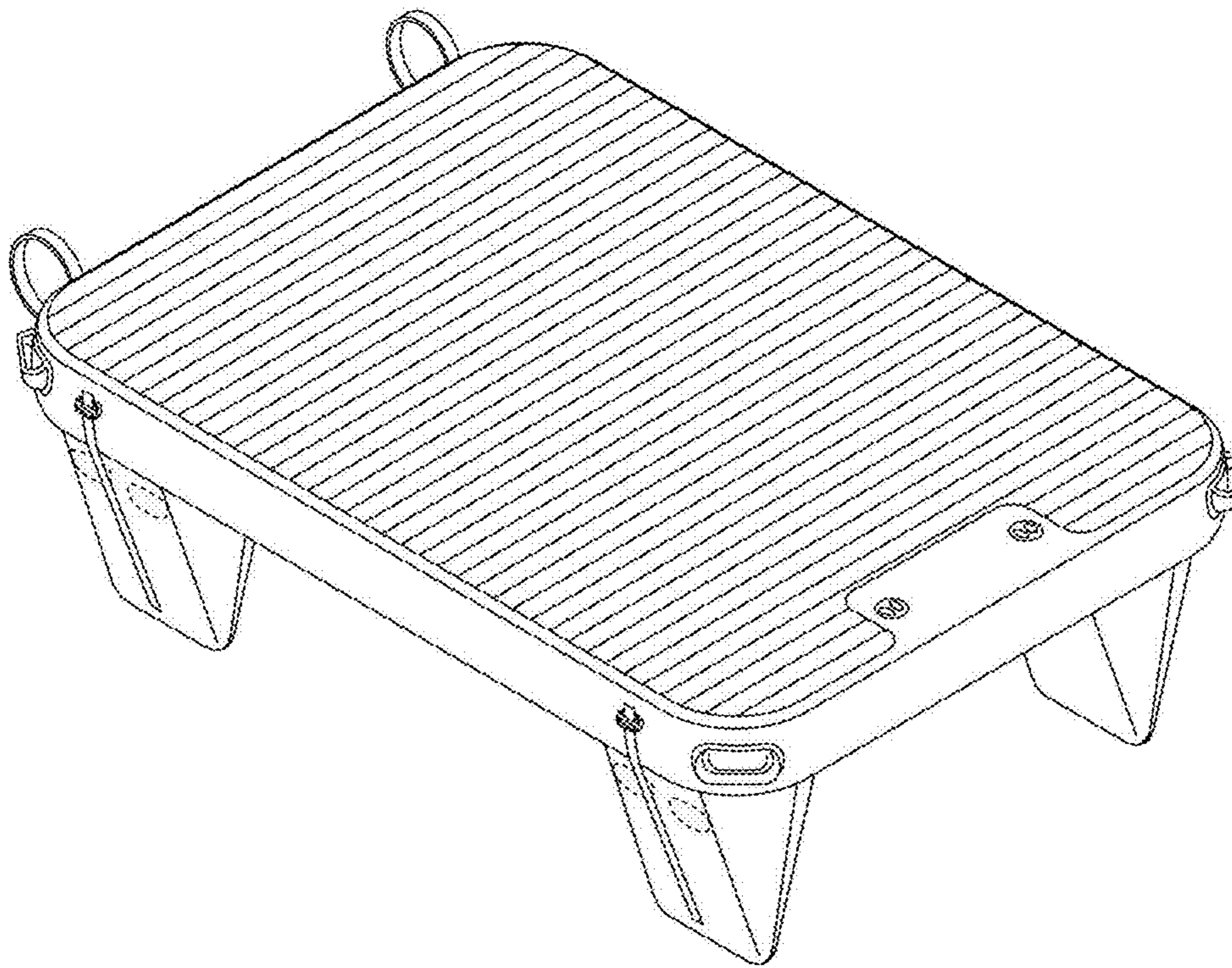


FIG. 1

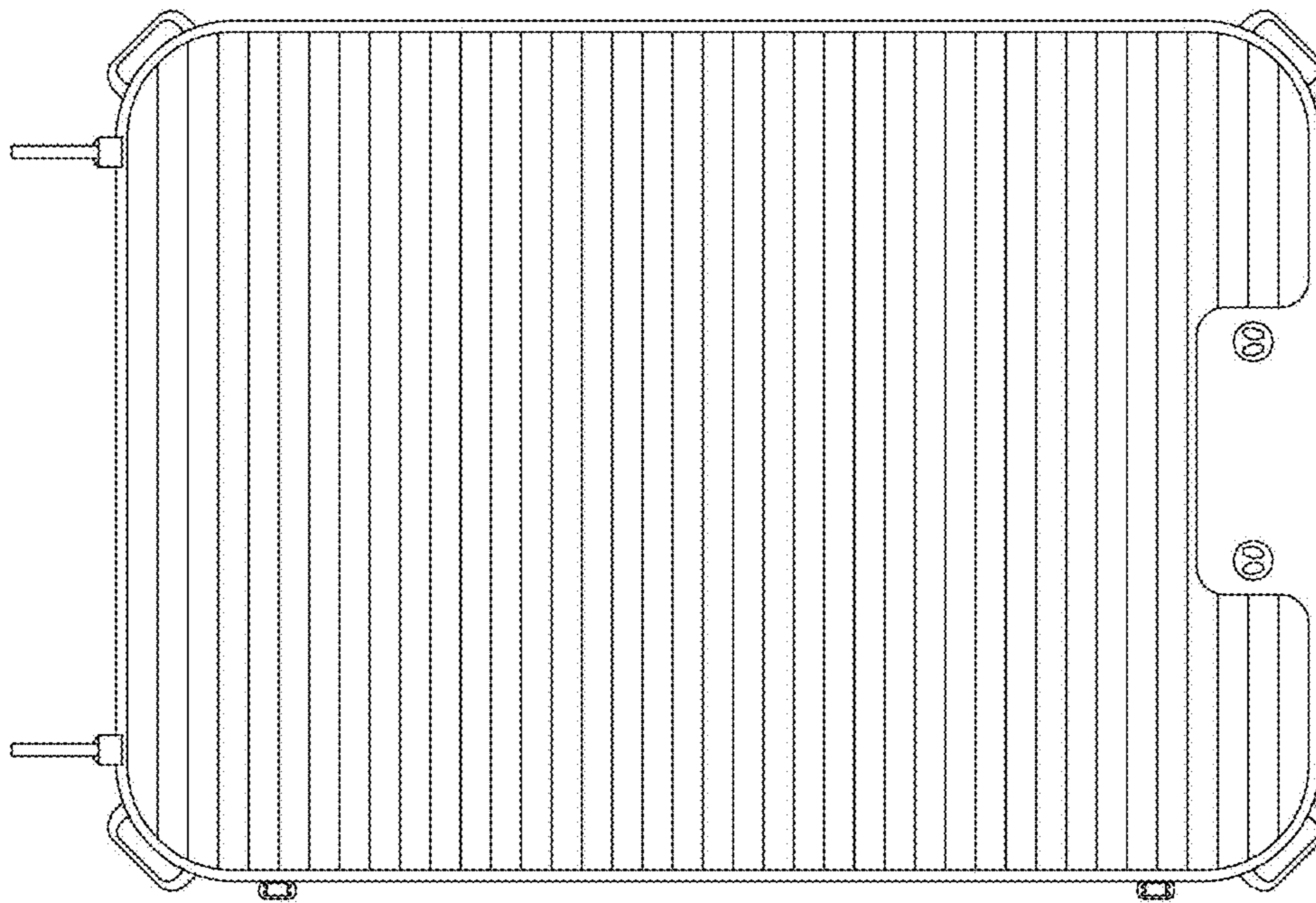


FIG. 2

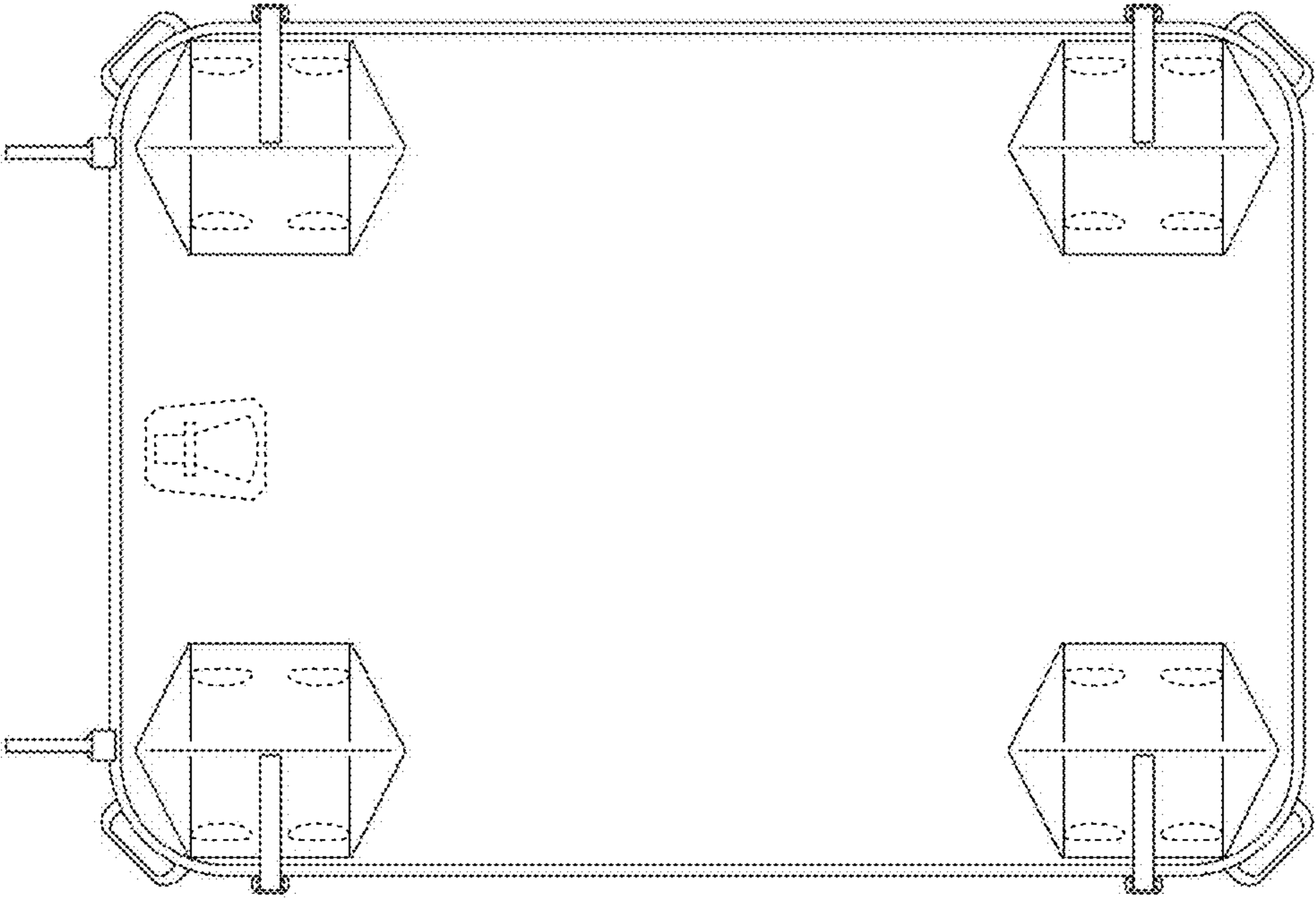


FIG. 3

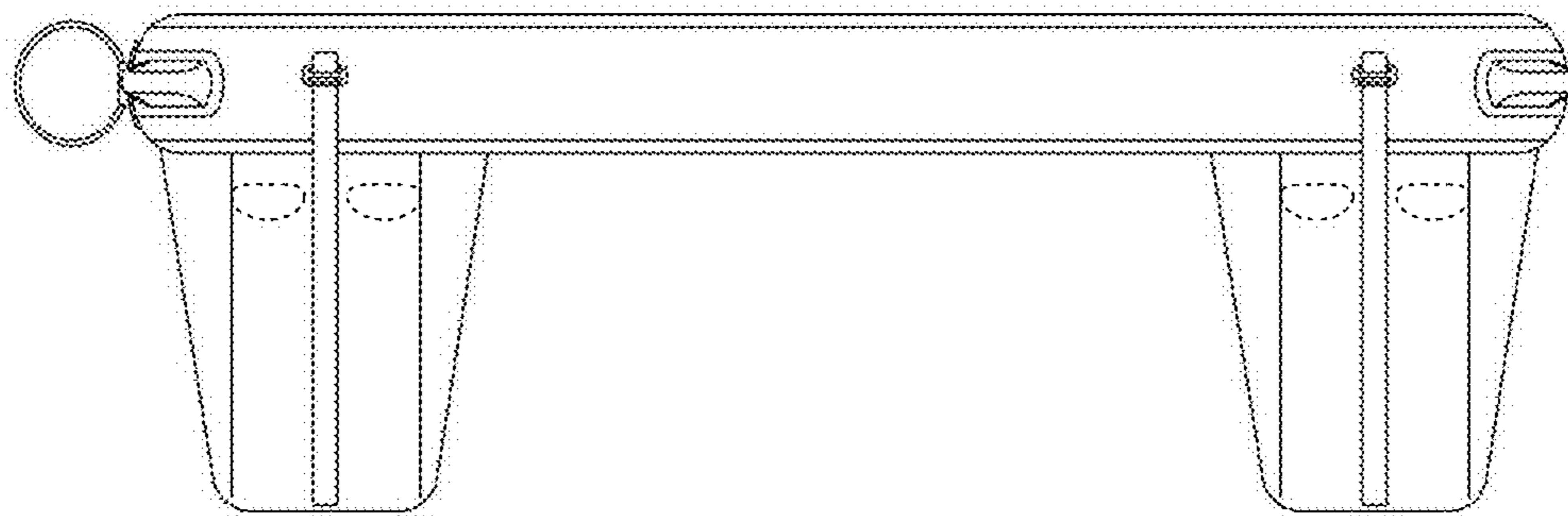


FIG. 4

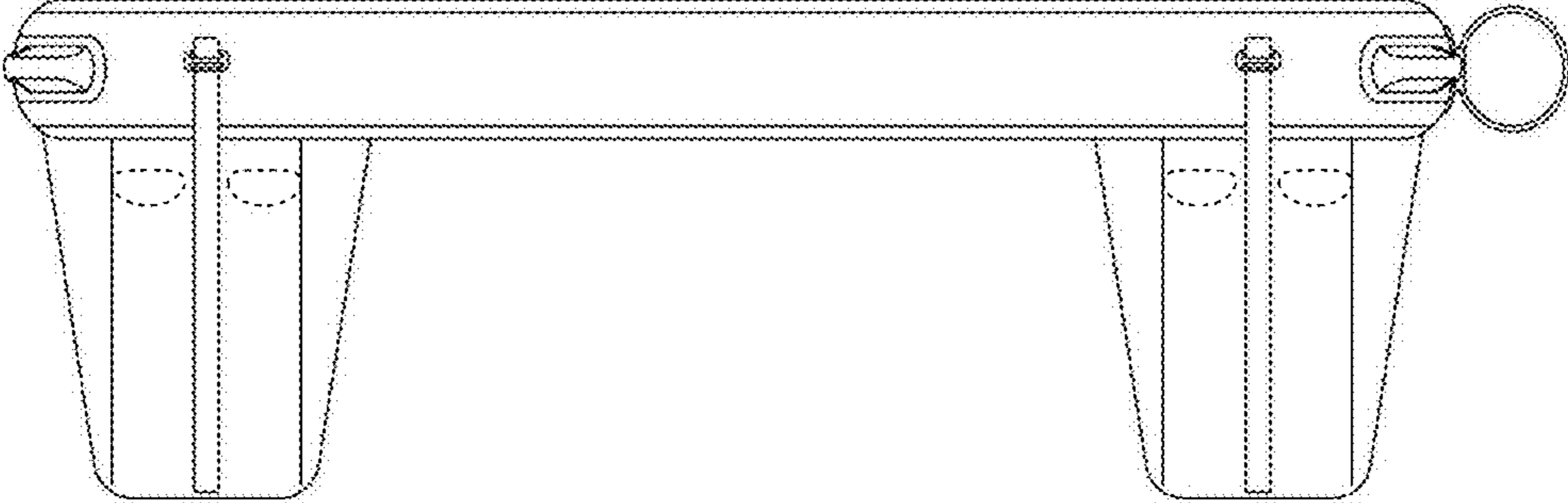


FIG. 5

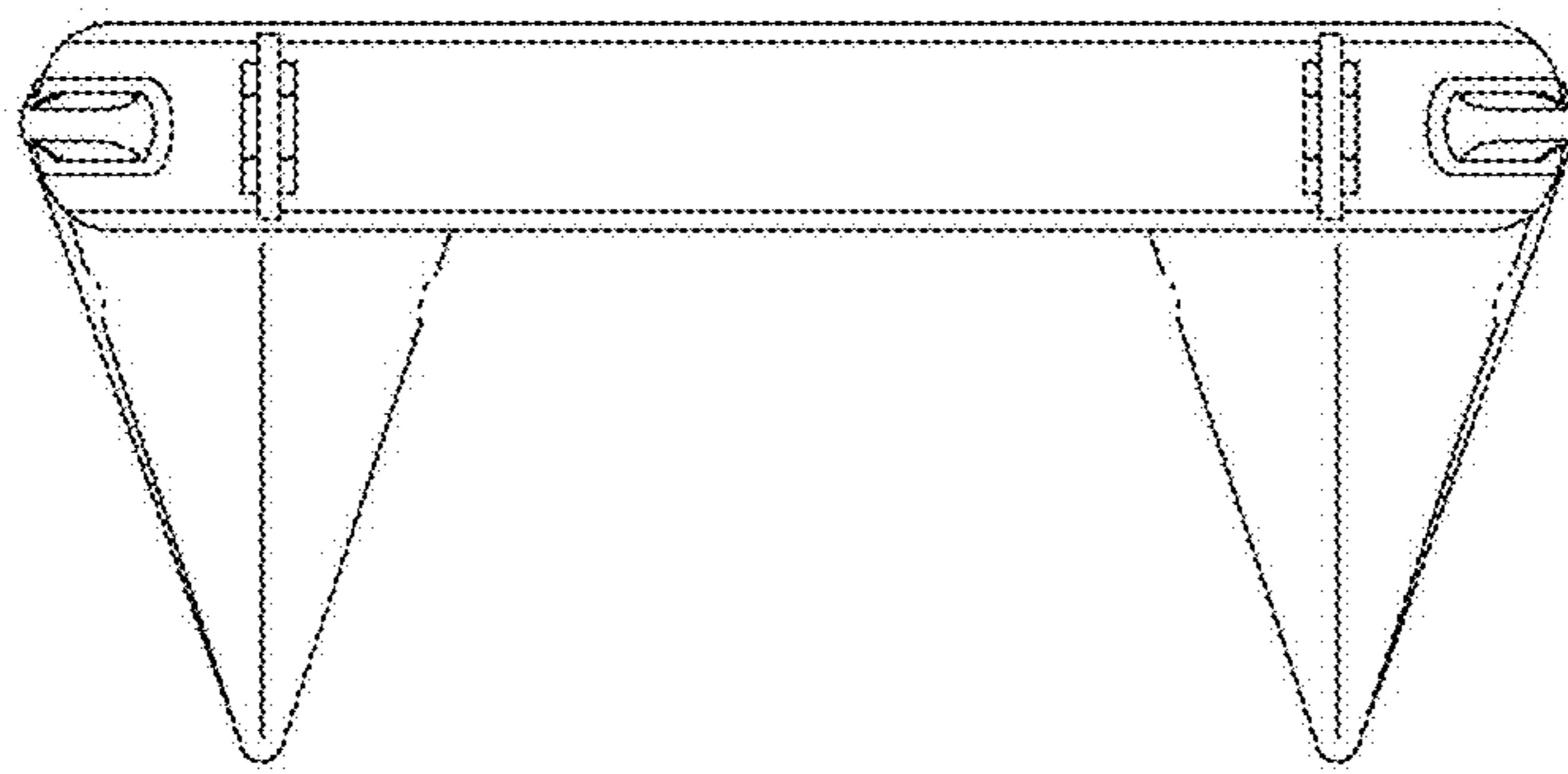


FIG. 6

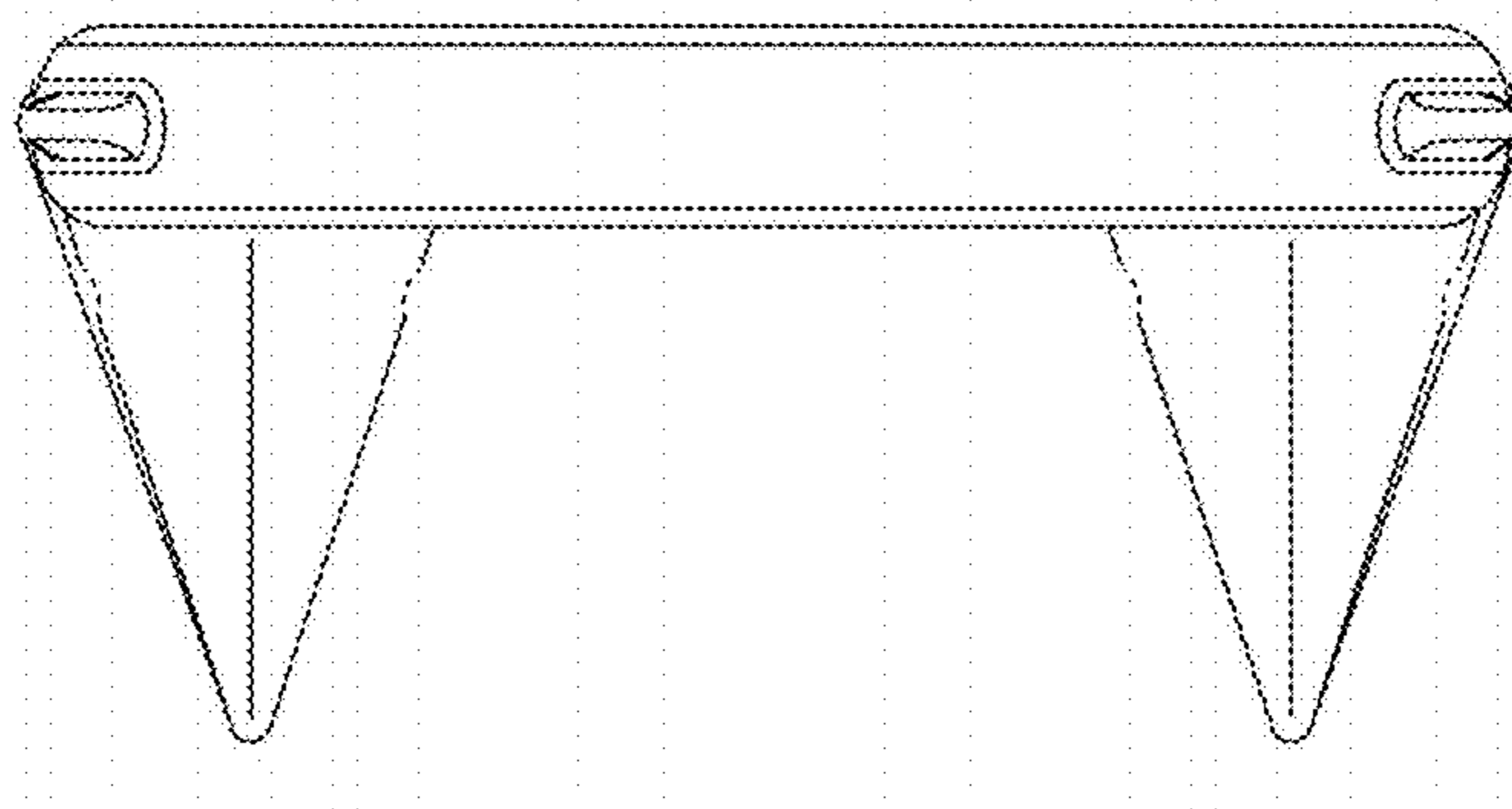


FIG. 7