

US00D925430S

(12) **United States Design Patent** (10) **Patent No.:** **US D925,430 S**
Lee (45) **Date of Patent:** **** Jul. 20, 2021**

(54) **PROPELLER FOR DRONE**
(71) Applicant: **Kwang Moo Lee**, Seoul (KR)
(72) Inventor: **Kwang Moo Lee**, Seoul (KR)
(**) Term: **15 Years**
(21) Appl. No.: **29/732,393**
(22) Filed: **Apr. 23, 2020**
(30) **Foreign Application Priority Data**
Feb. 17, 2020 (KR) 30-2020-0007014
(51) **LOC (13) Cl.** **12-16**
(52) **U.S. Cl.**
USPC **D12/214**
(58) **Field of Classification Search**
USPC D12/214, 317, 319, 344, 16.1, 328, 330,
D12/345; D15/4, 5; D13/115; D21/441;
D23/411, 413, 379
CPC B64C 11/00; B64C 11/02; B64C 11/16;
B64C 27/08; B64C 39/024; B64C
2201/108; B63H 1/18; B63H 1/20; B63H
1/26
See application file for complete search history.

(56) **References Cited**
U.S. PATENT DOCUMENTS
1,361,277 A * 12/1920 Mott B64C 11/16
416/237
1,368,732 A * 2/1921 Klumpp B64C 11/20
416/224
1,786,644 A * 12/1930 Davis B64C 11/346
416/135
1,831,373 A * 11/1931 Squires B64C 11/24
416/232
1,905,891 A * 4/1933 Blanchard B64C 11/22
416/234
D121,201 S * 6/1940 Fischer D23/413

2,482,375 A * 9/1949 Sensenich B27M 3/10
264/161
3,461,966 A * 8/1969 Biermann B64C 11/08
416/234
D252,390 S * 7/1979 Voisard 416/214 R
D561,679 S * 2/2008 Wai D12/345
D751,026 S * 3/2016 Tao D12/345
D755,703 S * 5/2016 Hanscom D12/345
D761,184 S * 7/2016 Xiao D12/214
D790,430 S * 6/2017 Ali D12/214
D792,318 S * 7/2017 Du D12/214
D798,219 S * 9/2017 Xiao D12/214
D818,572 S * 5/2018 Gajewski D23/377
D820,917 S * 6/2018 Perryman D21/453
D839,815 S * 2/2019 Jiang D12/214
10,315,757 B2 * 6/2019 Ali B64C 27/467
2009/0220347 A1 * 9/2009 Ball B64C 11/26
416/229 R
2012/0189457 A1 * 7/2012 Occhipinti B64C 11/16
416/235

* cited by examiner

Primary Examiner — Michelle E. Wilson
Assistant Examiner — Clese Moore, Jr.
(74) *Attorney, Agent, or Firm* — Rabin & Berdo, P.C.

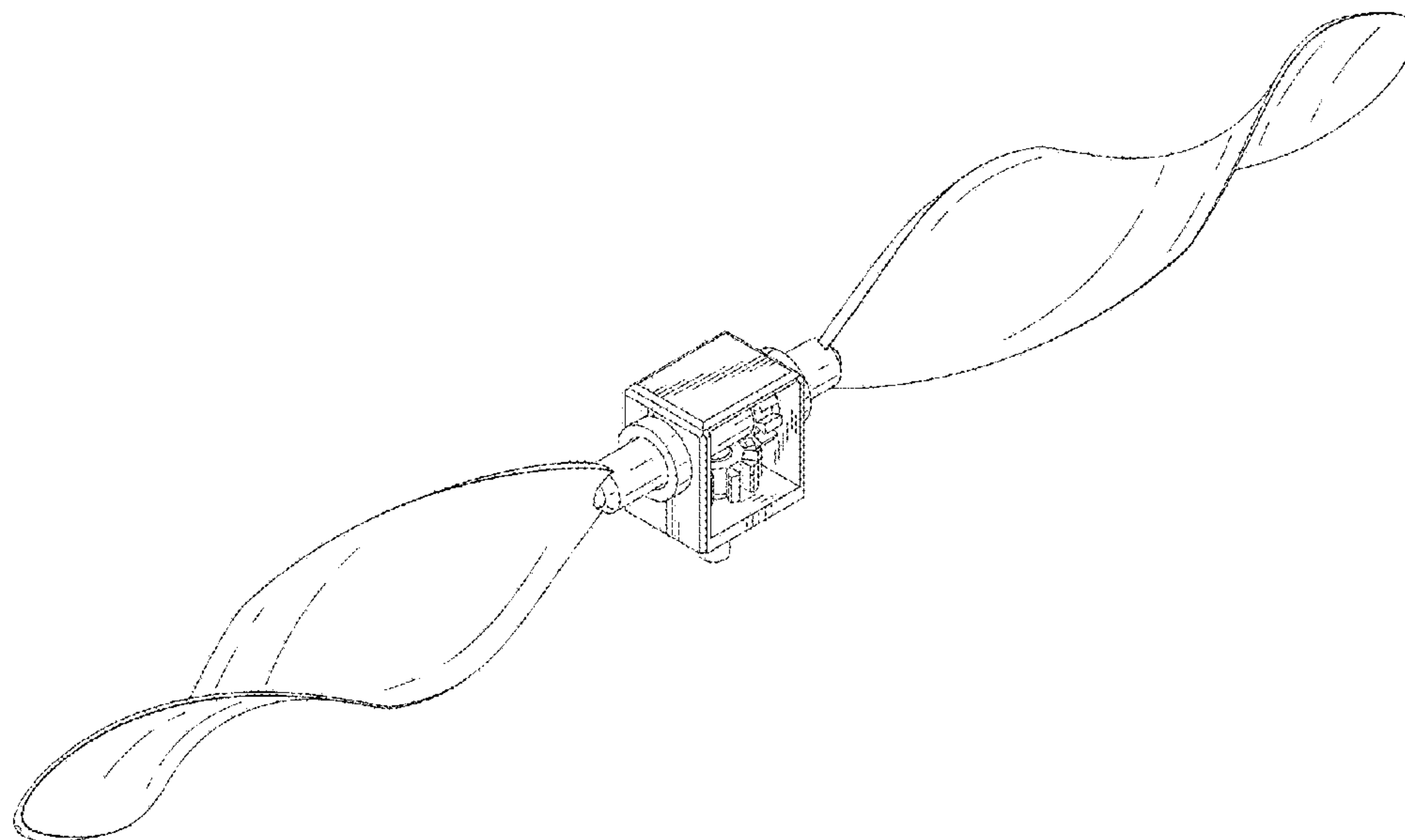
(57) **CLAIM**

The ornamental design for a propeller for drone, as shown and described.

DESCRIPTION

FIG. 1 is a perspective view of a propeller for drone;
FIG. 2 is a front view thereof;
FIG. 3 is a rear view thereof;
FIG. 4 is a left side view thereof;
FIG. 5 is a right side view thereof;
FIG. 6 is a top view thereof; and,
FIG. 7 is a bottom view thereof.

1 Claim, 7 Drawing Sheets



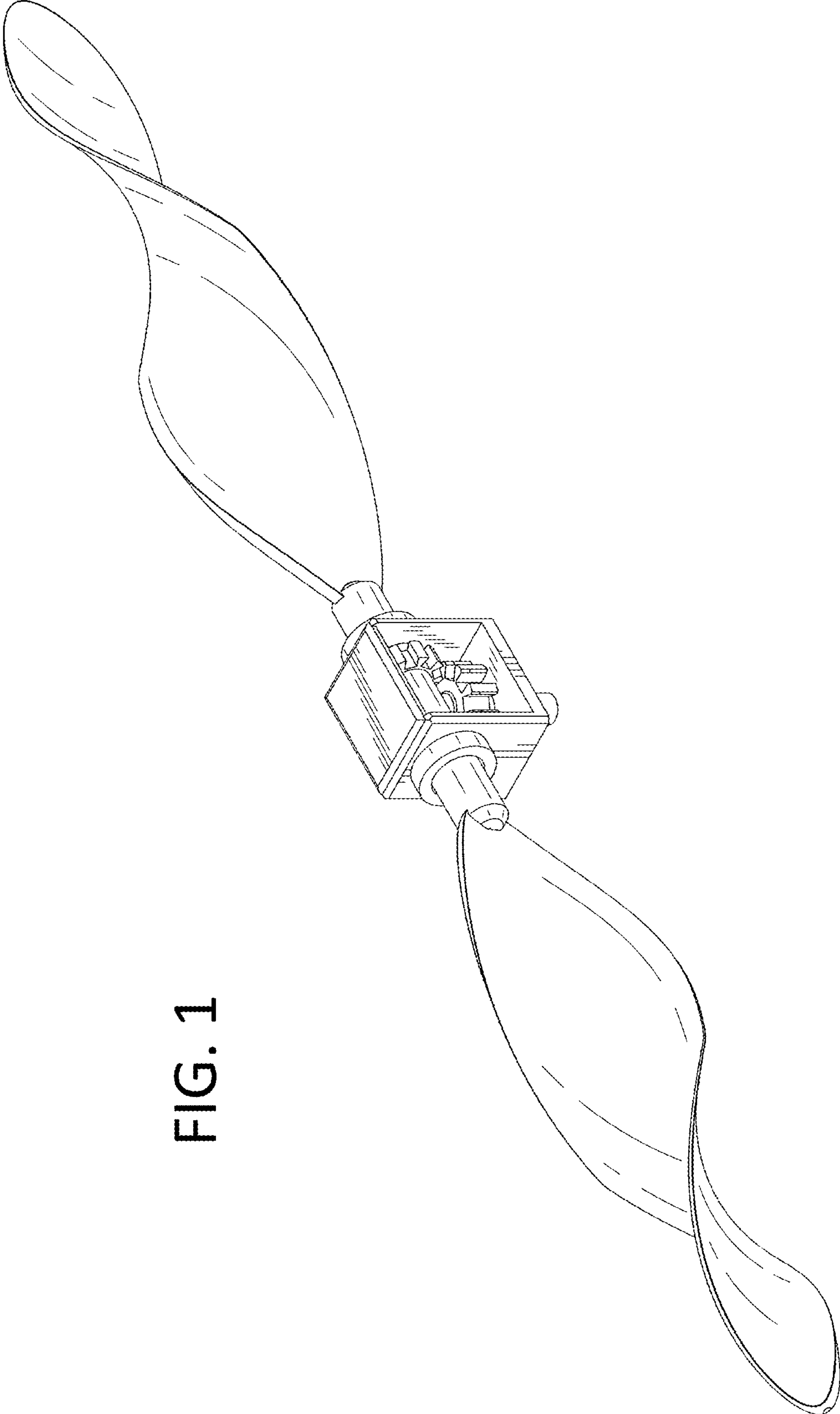


FIG. 1

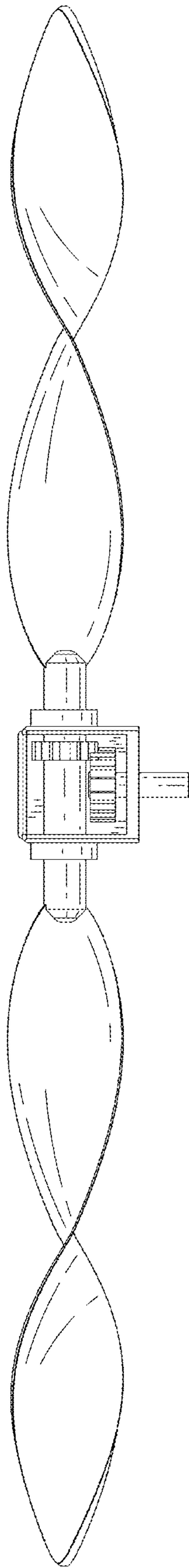


FIG. 2

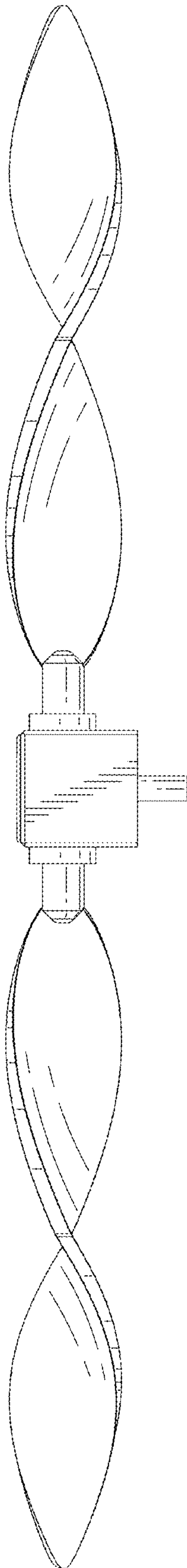


FIG. 3

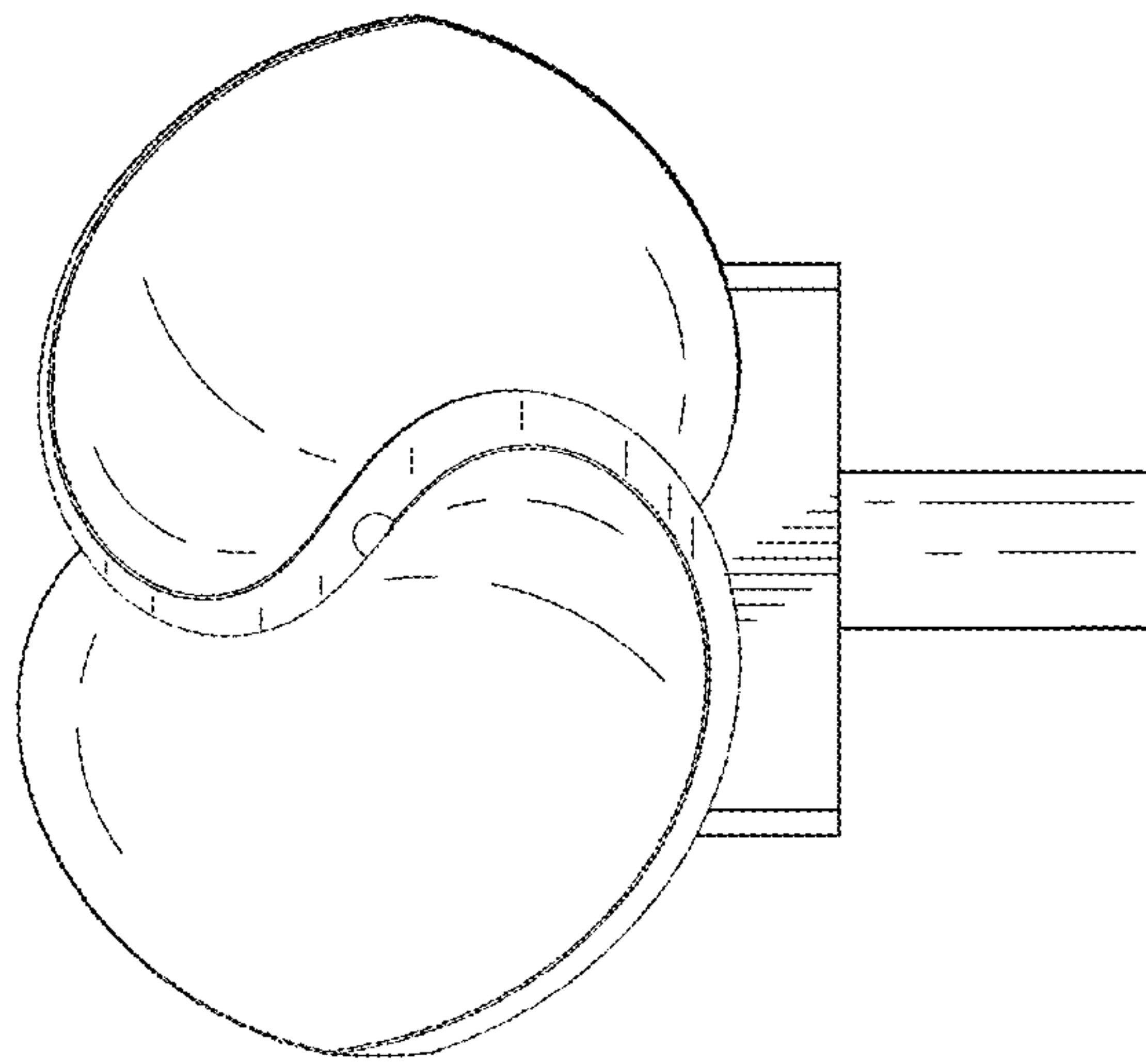


FIG. 4

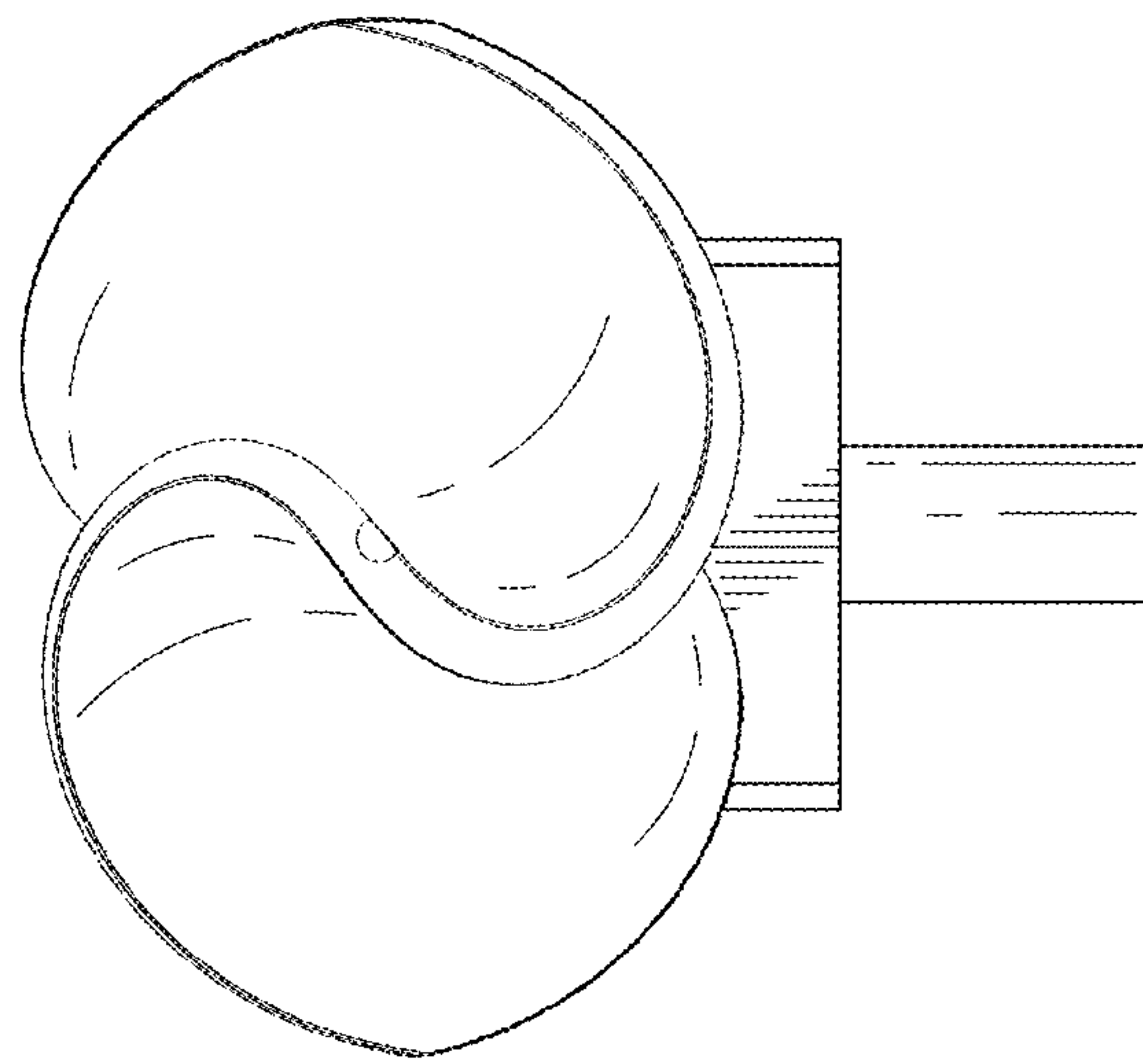


FIG. 5

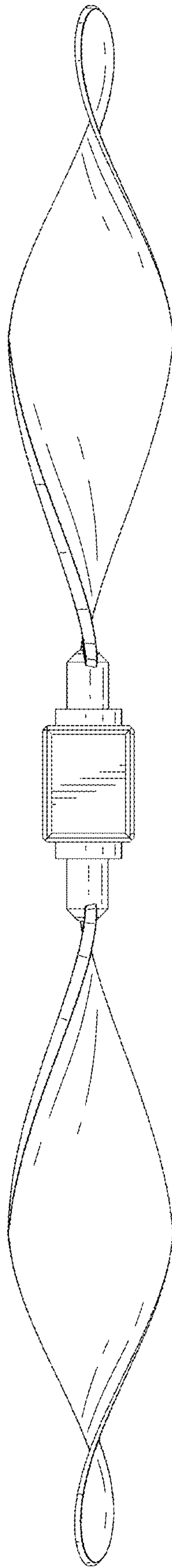


FIG. 6

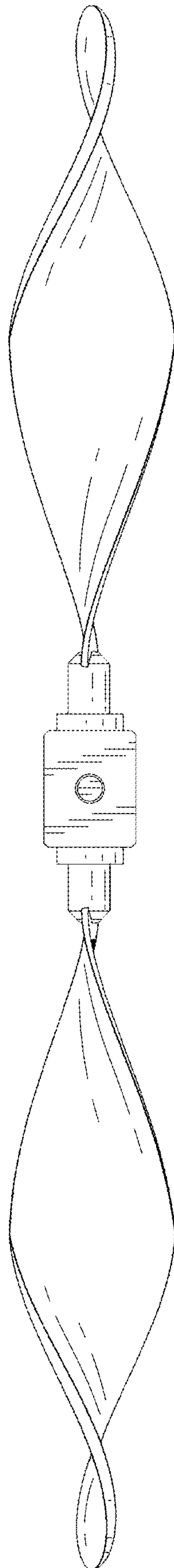


FIG. 7