



US00D925429S

(12) **United States Design Patent**
Wheel

(10) **Patent No.:** **US D925,429 S**

(45) **Date of Patent:** **** Jul. 20, 2021**

(54) **WHEEL**

(71) Applicant: **JAGUAR LAND ROVER LIMITED**,
Coventry (GB)

(72) Inventor: **Andy Wheel**, Coventry (GB)

(73) Assignee: **JAGUAR LAND ROVER LIMITED**,
Coventry (GB)

(**) Term: **15 Years**

(21) Appl. No.: **29/761,971**

(22) Filed: **Dec. 14, 2020**

Related U.S. Application Data

(62) Division of application No. 29/719,571, filed on Jan. 6, 2020, now Pat. No. Des. 908,070, and a division of application No. 29/656,453, filed on Jul. 12, 2018, now Pat. No. Des. 877,677.

(30) **Foreign Application Priority Data**

Apr. 30, 2018 (EM) 005253499

(51) **LOC (13) Cl.** **12-16**

(52) **U.S. Cl.**
USPC **D12/209**

(58) **Field of Classification Search**
USPC D12/204–213; D21/563
CPC B60B 7/00; B60B 7/02; B60B 7/04; B60B 7/01; B60B 7/06; B60B 3/02; B60B 3/04; B60B 3/06; B60B 3/10; B60B 1/00; B60B 1/08; B60B 1/10; B60B 1/12
See application file for complete search history.

(56) **References Cited**

U.S. PATENT DOCUMENTS

D385,837 S * 11/1997 Muller D12/209
D416,533 S * 11/1999 Sulahian D12/211

D435,823 S *	1/2001	Fitzgerald	D12/211
D440,535 S *	4/2001	Penzes	D12/211
D458,207 S *	6/2002	Hale, Jr.	D12/209
D461,758 S *	8/2002	Takechi	D12/211
D464,306 S *	10/2002	Chung	D12/209
D620,421 S *	7/2010	Lamm	D12/209
D689,000 S *	9/2013	Platto	D12/209
D708,108 S *	7/2014	Wheel	D12/209
D736,132 S *	8/2015	Platto	D12/209
D791,037 S *	7/2017	Macey	D12/209
D796,406 S *	9/2017	Dadoosh	D12/204
D817,844 S *	5/2018	Hale, Jr.	D12/209
D859,258 S *	9/2019	Hale, Jr.	D12/209
D874,378 S *	2/2020	Valencia Pollex	D12/211
D875,635 S *	2/2020	Mounts	D12/204
D884,571 S *	5/2020	Morgenstern	D12/209
D885,284 S *	5/2020	Han	D12/209
D887,938 S *	6/2020	Stone	D12/209
D891,345 S *	7/2020	Ninov	D12/209
D891,346 S *	7/2020	Glover	D12/209
D898,651 S *	10/2020	Lickliter	D12/209
D908,070 S *	1/2021	Wheel	D12/211

* cited by examiner

Primary Examiner — Stacia A Cadmus

(74) *Attorney, Agent, or Firm* — Reising Ethington P.C.

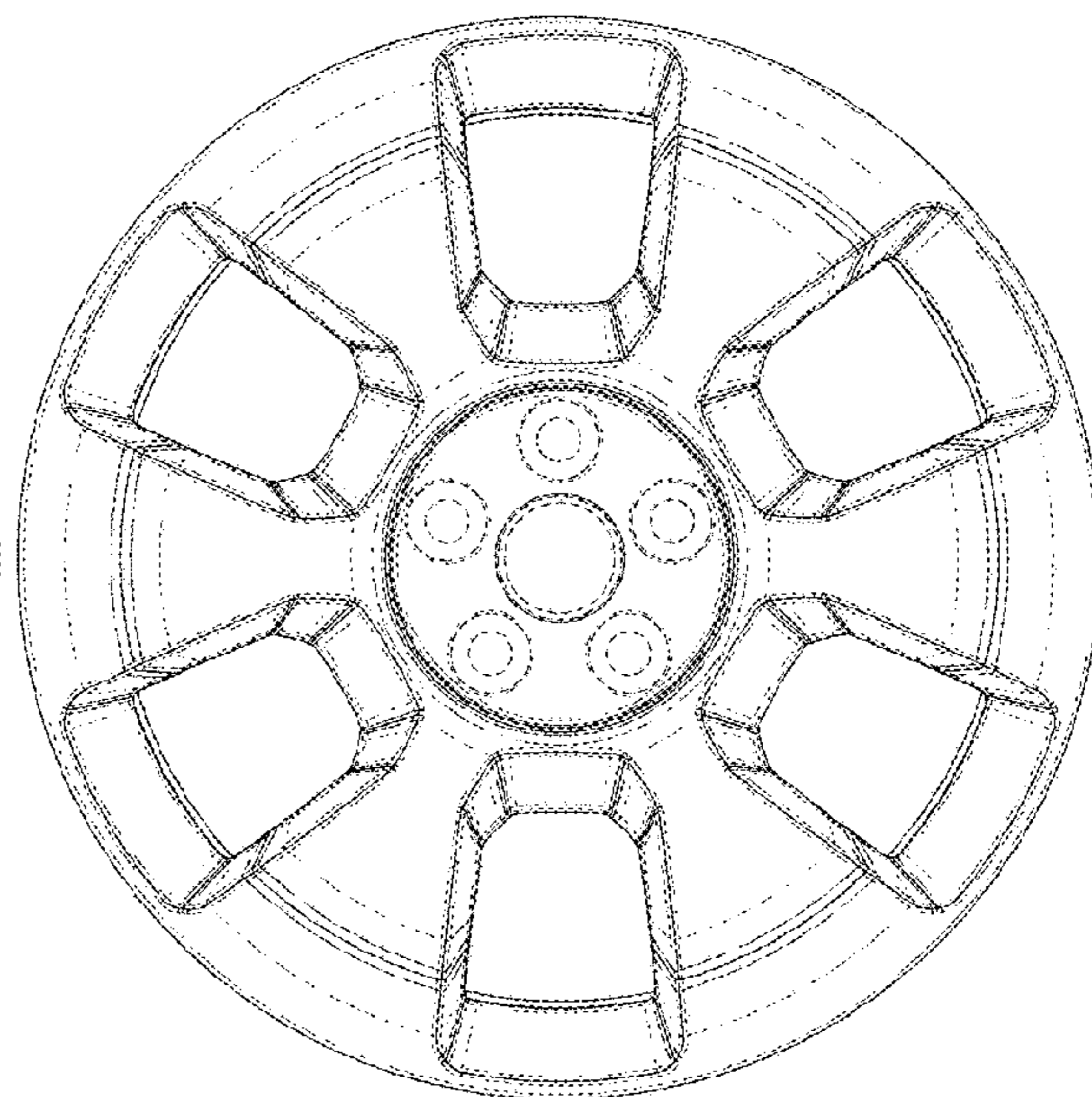
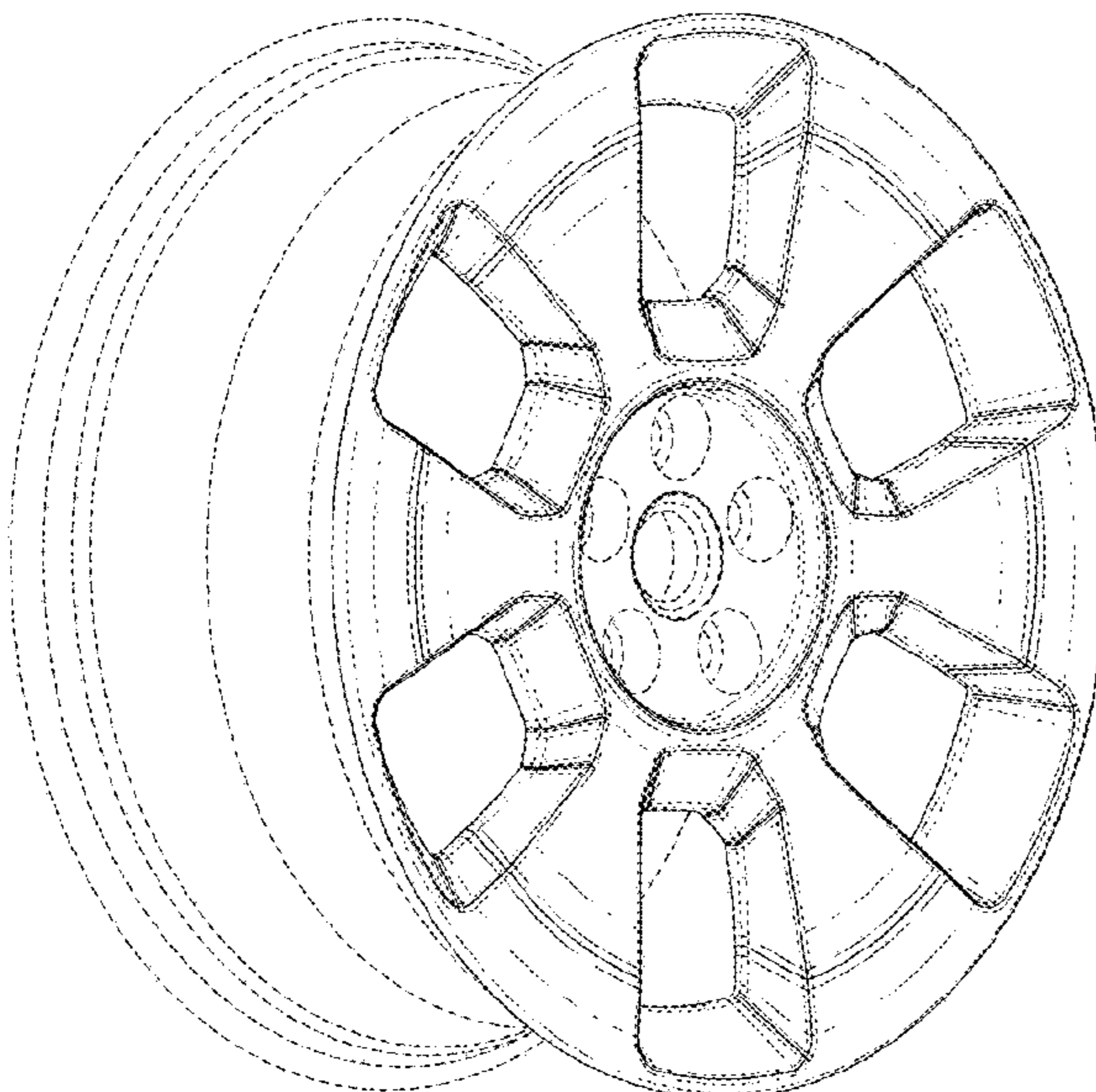
(57) **CLAIM**

The ornamental design for a wheel, as shown and described.

DESCRIPTION

FIG. 1 is a front left perspective view of a wheel; FIG. 2 is a front view thereof; and, FIG. 3 is a left side view thereof, the right side view being a mirror image thereof. In the drawings the broken lines depict portions of the wheel that form no part of the claimed design.

1 Claim, 3 Drawing Sheets



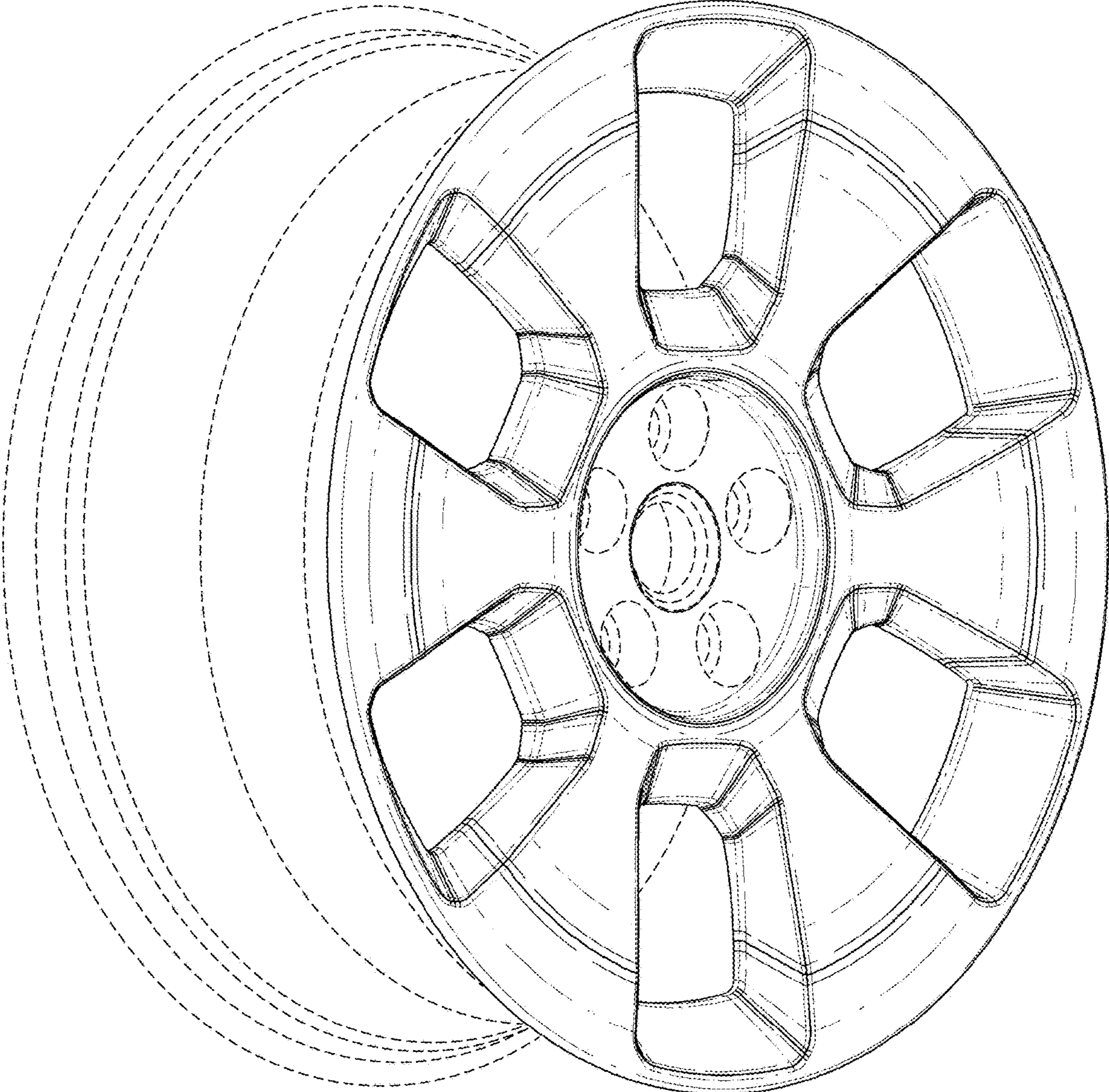


FIG. 1

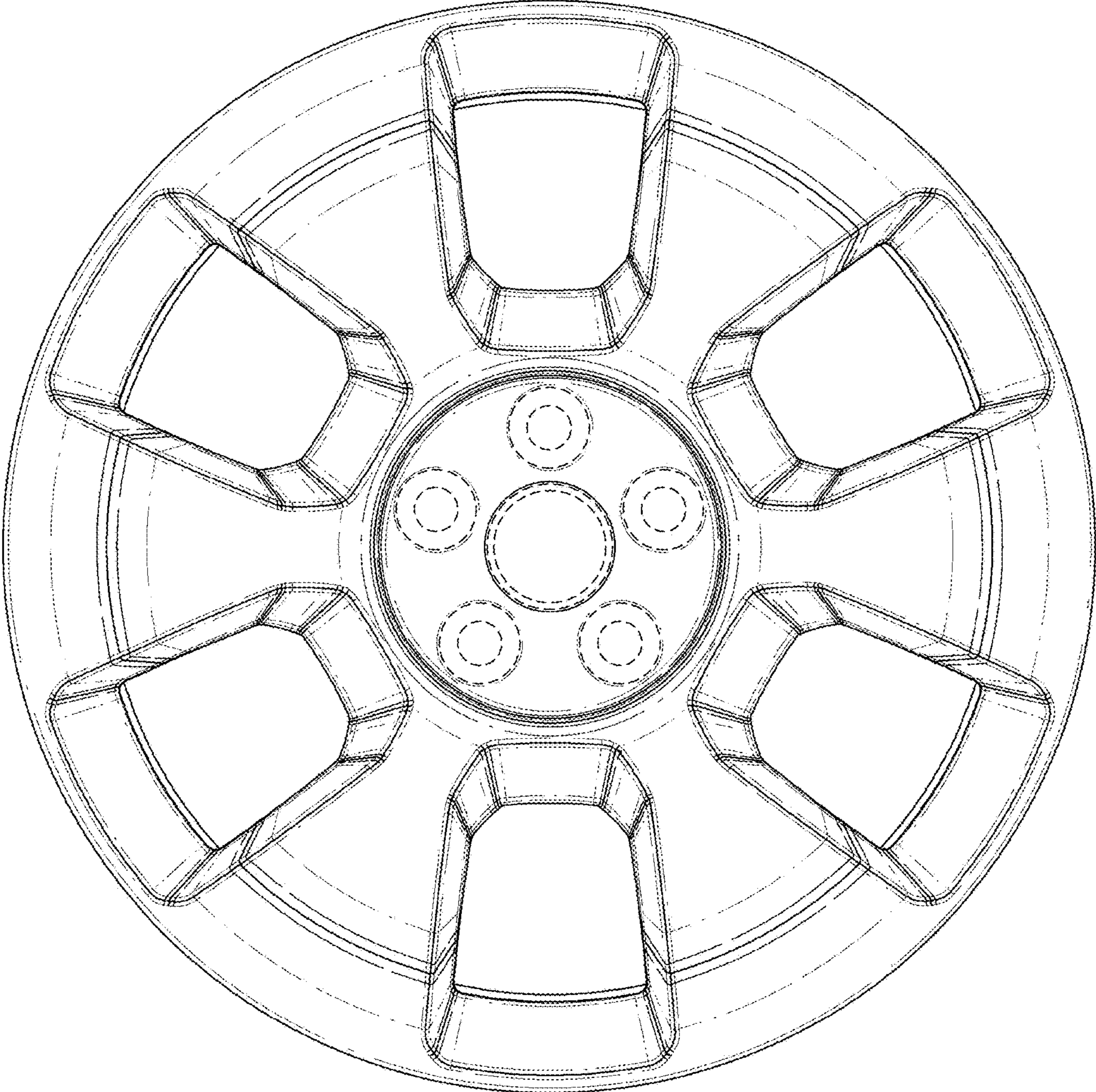


FIG. 2

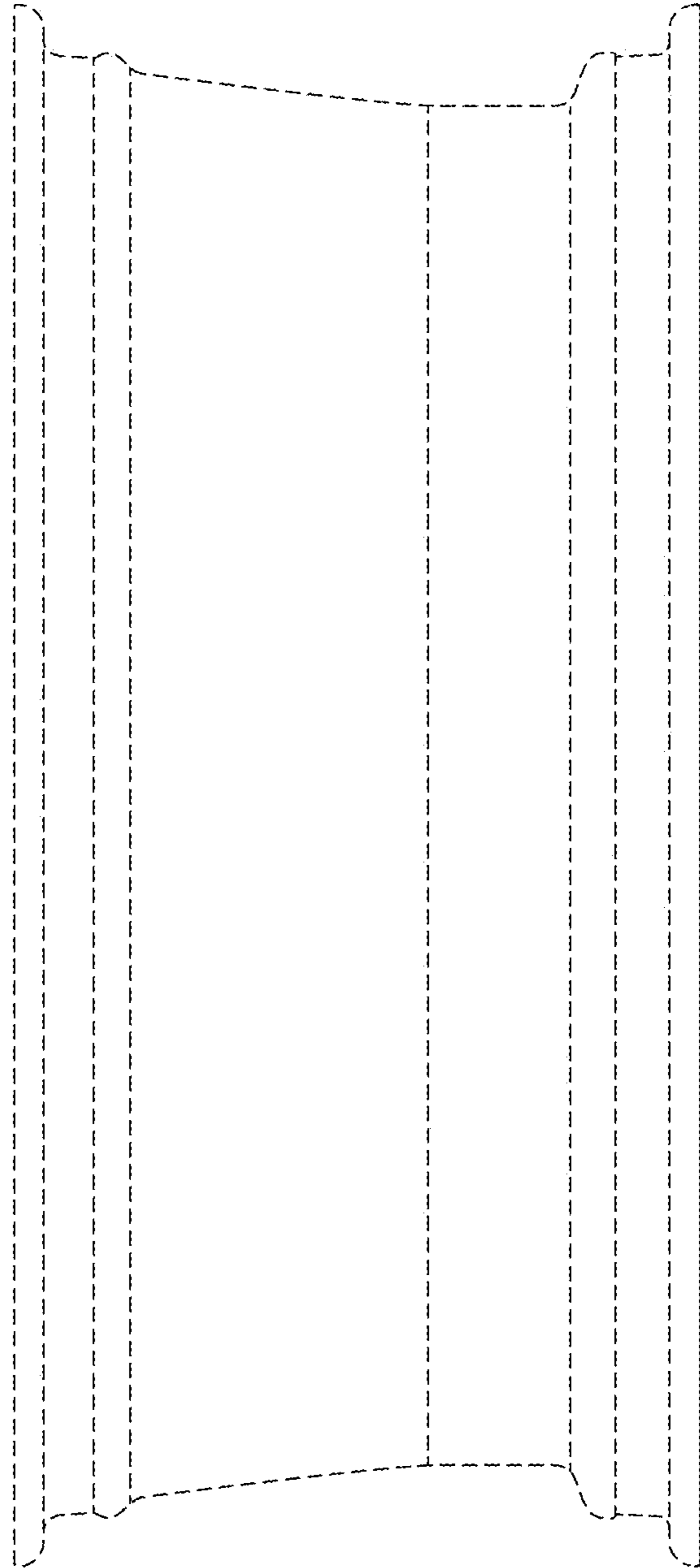


FIG. 3