



US00D925428S

(12) **United States Design Patent**
Han

(10) **Patent No.:** **US D925,428 S**

(45) **Date of Patent:** **** Jul. 20, 2021**

(54) **AUTOMOTIVE WHEEL**

(71) Applicant: **Donnie Han**, Corona, CA (US)

(72) Inventor: **Donnie Han**, Corona, CA (US)

(**) Term: **15 Years**

(21) Appl. No.: **29/741,281**

(22) Filed: **Jul. 10, 2020**

(51) **LOC (13) Cl.** **12-16**

(52) **U.S. Cl.**
USPC **D12/209**

(58) **Field of Classification Search**
USPC D12/204-213; D21/563
CPC B60B 7/00; B60B 7/02; B60B 7/04; B60B
7/01; B60B 7/06; B60B 3/02; B60B 3/04;
B60B 3/06; B60B 3/10; B60B 1/00;
B60B 1/08; B60B 1/10; B60B 1/12
See application file for complete search history.

(56) **References Cited**

U.S. PATENT DOCUMENTS

| | | | | | |
|------------|---|---------|---------|-------|---------|
| D699,173 S | * | 2/2014 | Zhao | | D12/211 |
| D718,204 S | * | 11/2014 | Johnson | | D12/209 |
| D719,496 S | * | 12/2014 | Johnson | | D12/209 |
| D751,966 S | * | 3/2016 | Zhao | | D12/211 |

| | | | | | |
|------------|---|---------|---------|-------|---------|
| D791,042 S | * | 7/2017 | Johnson | | D12/209 |
| D826,827 S | * | 8/2018 | Tran | | D12/209 |
| D833,360 S | * | 11/2018 | Kong | | D12/209 |
| D835,023 S | * | 12/2018 | Tran | | D12/209 |
| D842,185 S | * | 3/2019 | Chung | | D12/209 |
| D847,718 S | * | 5/2019 | Han | | D12/209 |
| D856,246 S | * | 8/2019 | Liffick | | D12/209 |
| D857,582 S | * | 8/2019 | Liffick | | D12/209 |
| D863,182 S | * | 10/2019 | Han | | D12/209 |
| D865,615 S | * | 11/2019 | Tran | | D12/209 |
| D889,365 S | * | 7/2020 | Han | | D12/209 |
| D890,063 S | * | 7/2020 | Platto | | D12/209 |
| D897,926 S | * | 10/2020 | Chung | | D12/209 |
| D906,927 S | * | 1/2021 | Ma | | D12/209 |
| D908,577 S | * | 1/2021 | Tran | | D12/209 |
| D912,591 S | * | 3/2021 | Tran | | D12/209 |

* cited by examiner

Primary Examiner — Stacia A Cadmus

(57) **CLAIM**

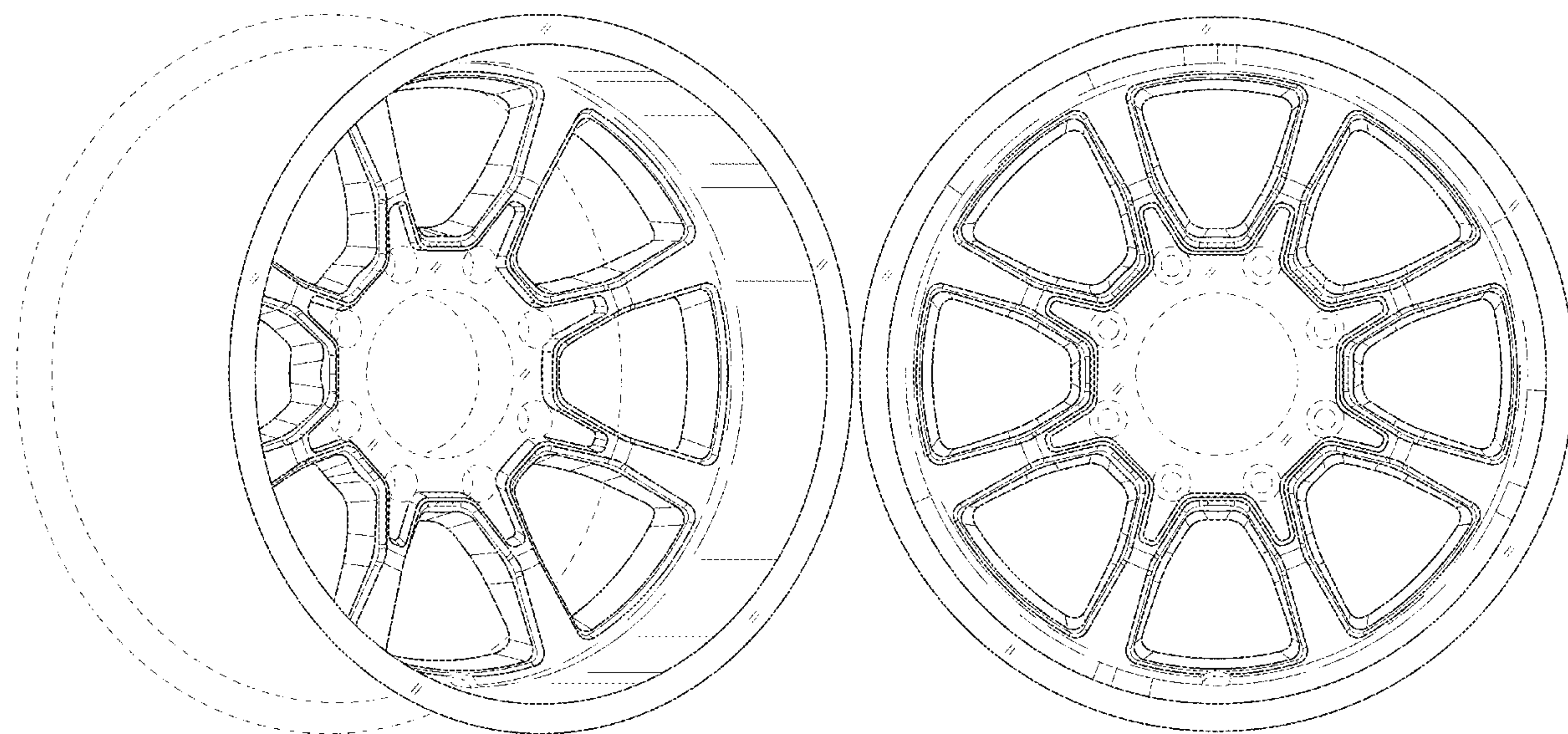
The ornamental design for an automotive wheel, as shown and described.

DESCRIPTION

FIG. 1 is a perspective view of an automotive wheel, showing my new design; and, FIG. 2 is a front view thereof.

In the drawings the broken lines depict portions of the wheel that form no part of the claimed design.

1 Claim, 2 Drawing Sheets



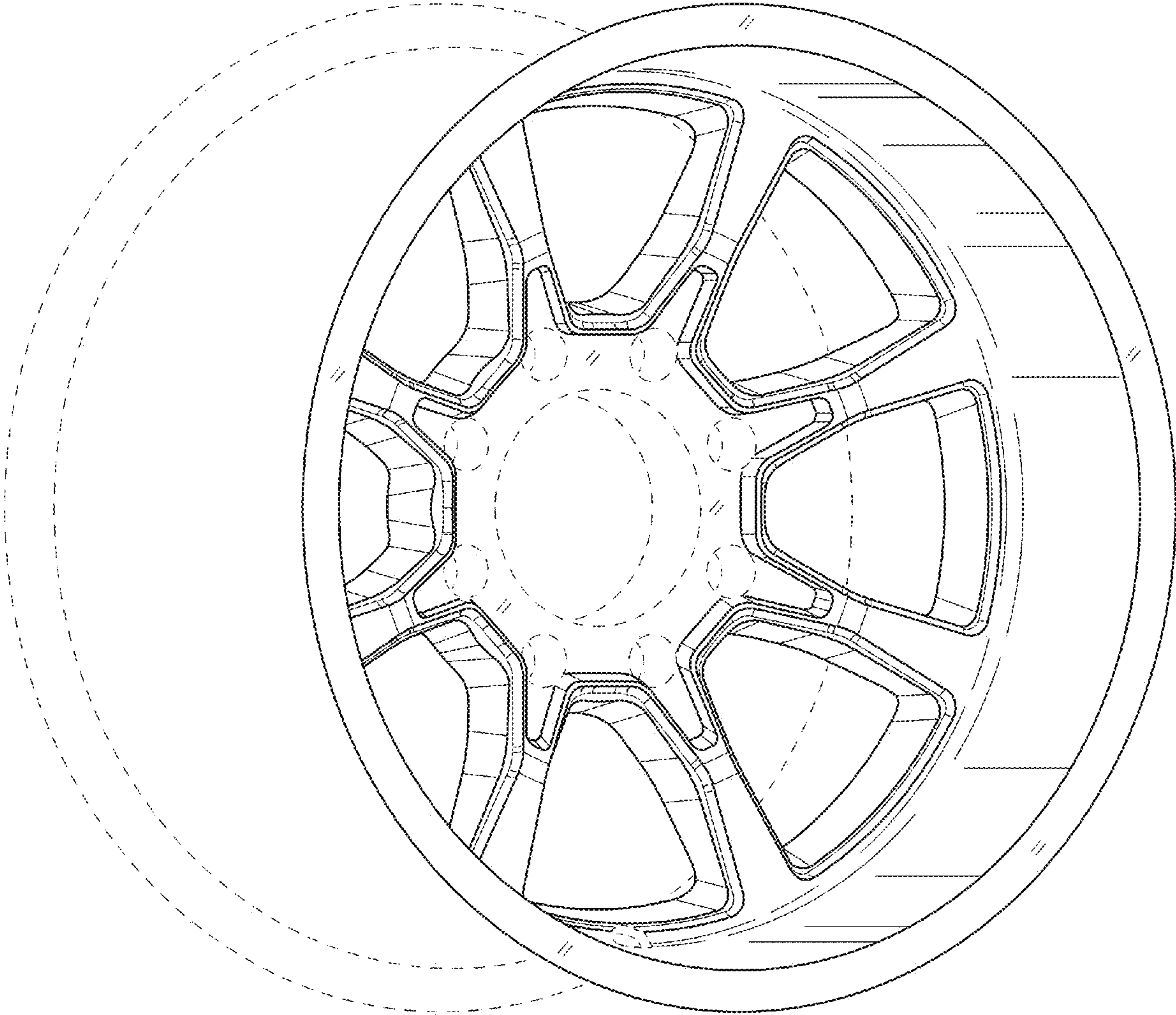


FIGURE 1

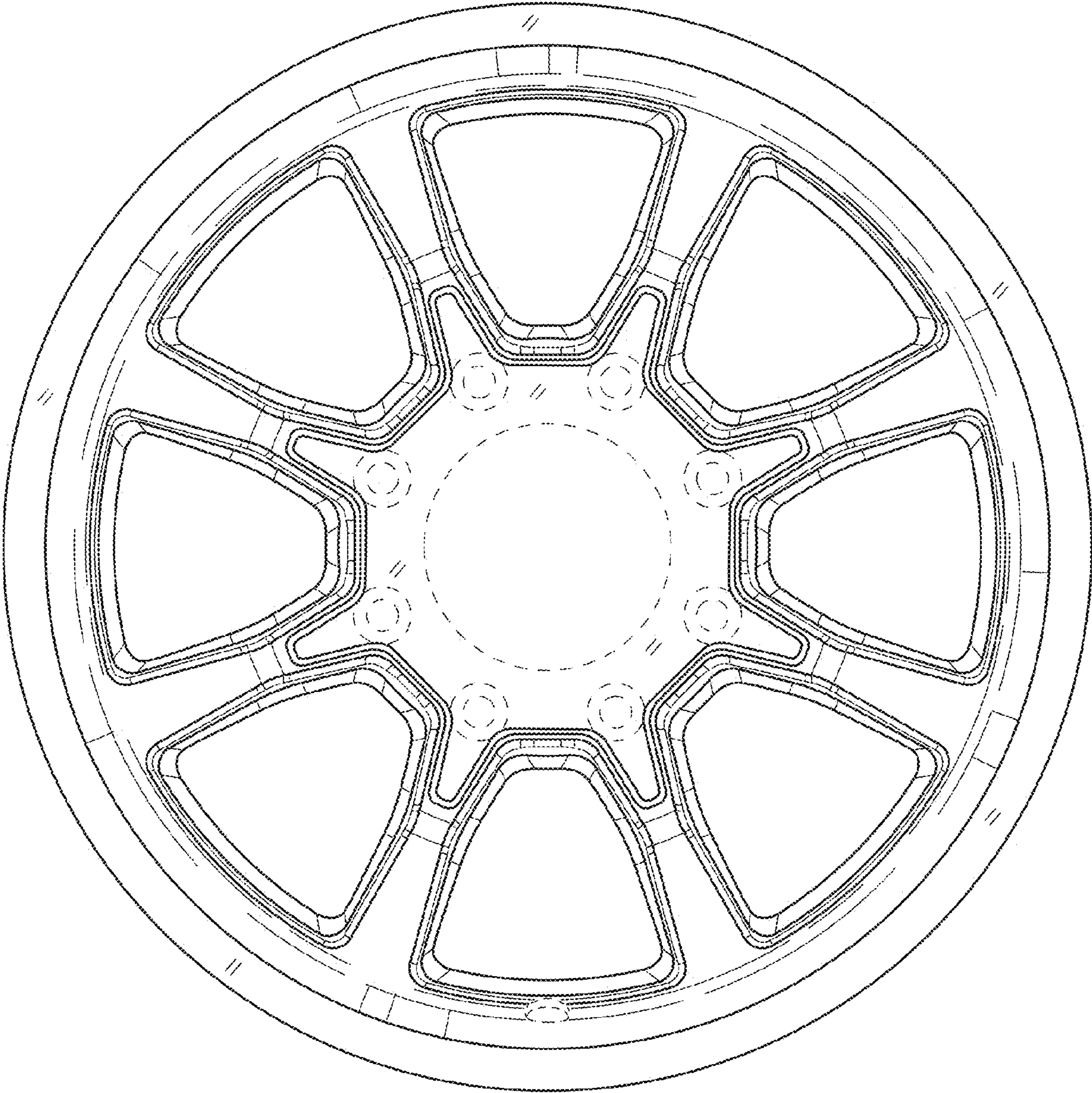


FIGURE 2