



US00D925418S

(12) **United States Design Patent** (10) **Patent No.:** **US D925,418 S**
Steadman et al. (45) **Date of Patent:** **** Jul. 20, 2021**

(54) **RACING BICYCLE HANDLEBARS**
(71) Applicant: **Group Lotus Limited**, Norfolk (GB)
(72) Inventors: **Andrew Steadman**, Norfolk (GB);
Alexandre Tynemouth, Norfolk (GB)
(73) Assignee: **Group Lotus Limited**, Norwich (GB)
(**) Term: **15 Years**

D720,260 S * 12/2014 Yoshida D12/111
8,943,925 B2 * 2/2015 Lanz B62K 21/14
74/551.8
9,533,731 B2 * 1/2017 Meggiolan B62K 21/12
9,862,450 B2 * 1/2018 Meggiolan B62K 21/12
10,196,105 B2 * 2/2019 Lanz B62K 21/16
10,543,881 B2 * 1/2020 Gulotta B62K 21/26
10,633,051 B2 * 4/2020 Wong B62K 21/22
2003/0094067 A1 * 5/2003 Whiting B62K 21/12
74/551.1
2004/0045132 A1 * 3/2004 Chen B62K 21/12
16/430

(21) Appl. No.: **29/701,105**

(Continued)

(22) Filed: **Aug. 8, 2019**

OTHER PUBLICATIONS

(51) **LOC (13) Cl.** **12-16**

(52) **U.S. Cl.**
USPC **D12/178**

(58) **Field of Classification Search**
USPC D12/107, 111, 114, 117, 118, 178, 223,
D12/400; D21/432, 561, 667, 694, 697,
D21/679; D8/303

Lotus track, bikerumor.com [online]. Published on or before Oct. 31, 2019, [retrieved on Oct. 20, 2020], Retrieved from the Internet: <URL:https://bikerumor.com/2019/10/31/hope-hb-t-x-lotus-3d-printed-ti-carbon-track-bike-is-british-cyclings-wild-olympic-secret-weapon/> (Year: 2019).*

(Continued)

CPC ... B62K 3/00; B62K 3/02; B62K 3/06; B62K
21/02; B62K 21/12; B62K 21/18; B62K
21/125; B62K 19/16; B62K 23/06
See application file for complete search history.

Primary Examiner — Christian P. McLean
Assistant Examiner — Adam C Mager
(74) *Attorney, Agent, or Firm* — Mark H. Whittenberger;
Holland & Knight LLP

(56) **References Cited**

(57) **CLAIM**

U.S. PATENT DOCUMENTS

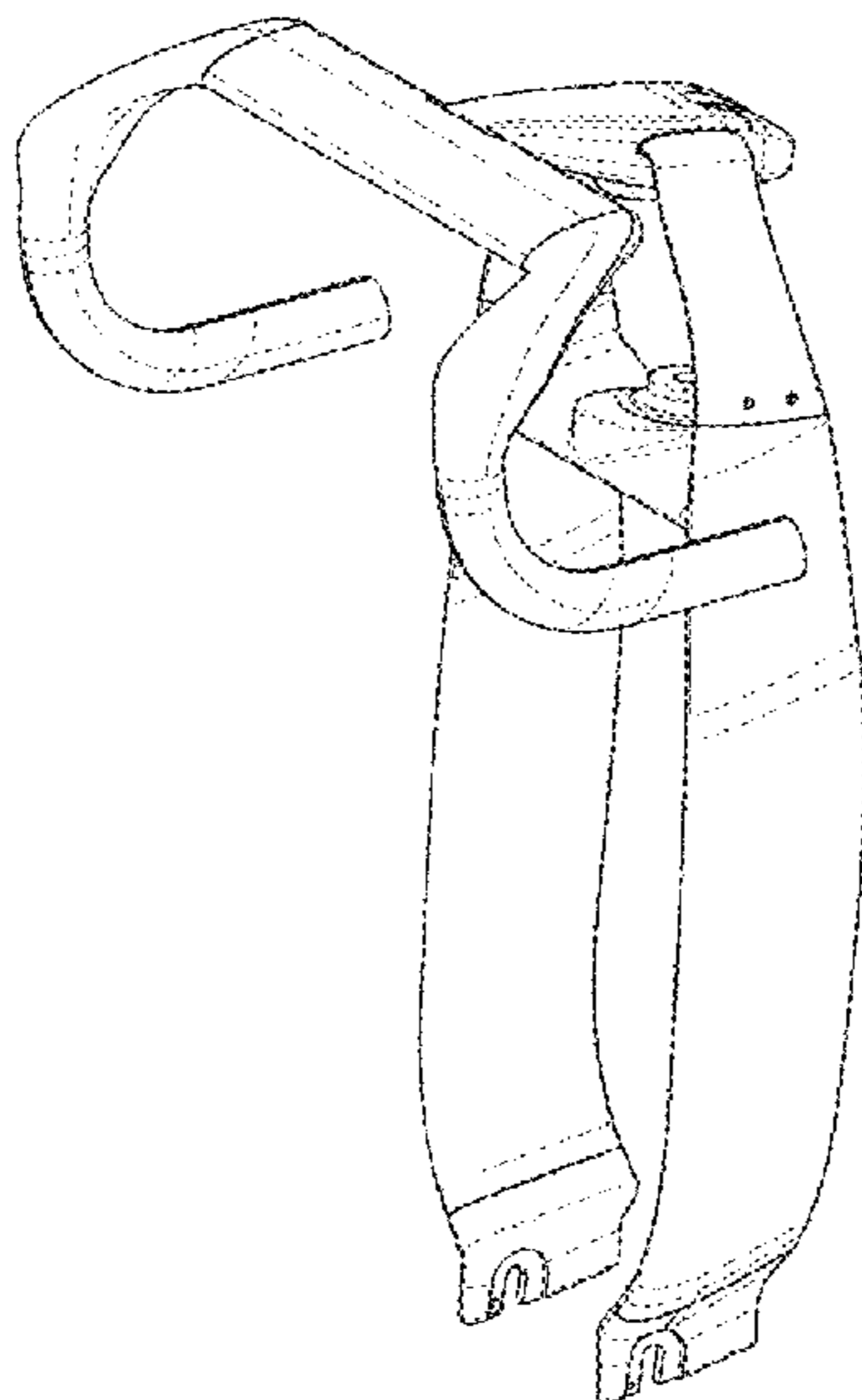
The ornamental design for racing bicycle handlebars, as shown and described.

- 4,390,300 A * 6/1983 Foster B62K 21/22
280/279
- 4,829,847 A * 5/1989 Modolo B62K 21/12
74/551.1
- 4,903,542 A * 2/1990 Borromeo B62K 21/22
74/551.8
- 5,144,859 A * 9/1992 Malone B62K 21/16
403/108
- 6,234,043 B1 * 5/2001 Marshall B62K 21/125
74/551.3
- 6,662,680 B2 * 12/2003 Rocket B62K 21/125
74/551.1
- 8,215,203 B1 * 7/2012 Swift B62K 21/16
74/551.8

DESCRIPTION

FIG. 1 is a front perspective view of the racing bicycle handlebars in accordance with the present invention; FIG. 2 is a front elevational view thereof; FIG. 3; is a left side elevational view thereof, the right side being a mirror image thereof; and, FIG. 4 is a top plan view thereof, the bottom being unadorned.

1 Claim, 4 Drawing Sheets



(56)

References Cited

U.S. PATENT DOCUMENTS

2004/0231451 A1* 11/2004 Chiang B62K 21/12
74/551.1
2005/0166704 A1* 8/2005 Huang B62J 11/00
74/551.8
2007/0137410 A1* 6/2007 Chang B62K 21/26
74/551.9
2008/0163719 A1* 7/2008 O'Reilly B62K 21/125
74/551.8
2010/0186545 A1* 7/2010 Ray B62K 21/125
74/551.8
2014/0373670 A1* 12/2014 Huang B62K 21/12
74/551.1
2015/0128756 A1* 5/2015 Gu B62K 21/16
74/551.1
2015/0151809 A1* 6/2015 Li B62K 21/16
74/551.1
2018/0334217 A1* 11/2018 Li B62K 21/22
2019/0367121 A1* 12/2019 Vandermolen B60T 11/046
2020/0055562 A1* 2/2020 Killing B62K 21/125
2020/0070916 A1* 3/2020 Lozzio B62J 99/00
2020/0156730 A1* 5/2020 Gulotta B62K 21/26
2020/0231244 A1* 7/2020 Miles B62K 21/24

OTHER PUBLICATIONS

Cycling Australia, cyclingtips.com [online]. Published on or before Feb. 26, 2020, [retrieved on Oct. 20, 2020], Retrieved from the Internet: <URL:https://cyclingtips.com/2020/02/cycling-australia-reveals-new-track-bike-for-tokyo-olympics/> (Year: 2020).*

* cited by examiner

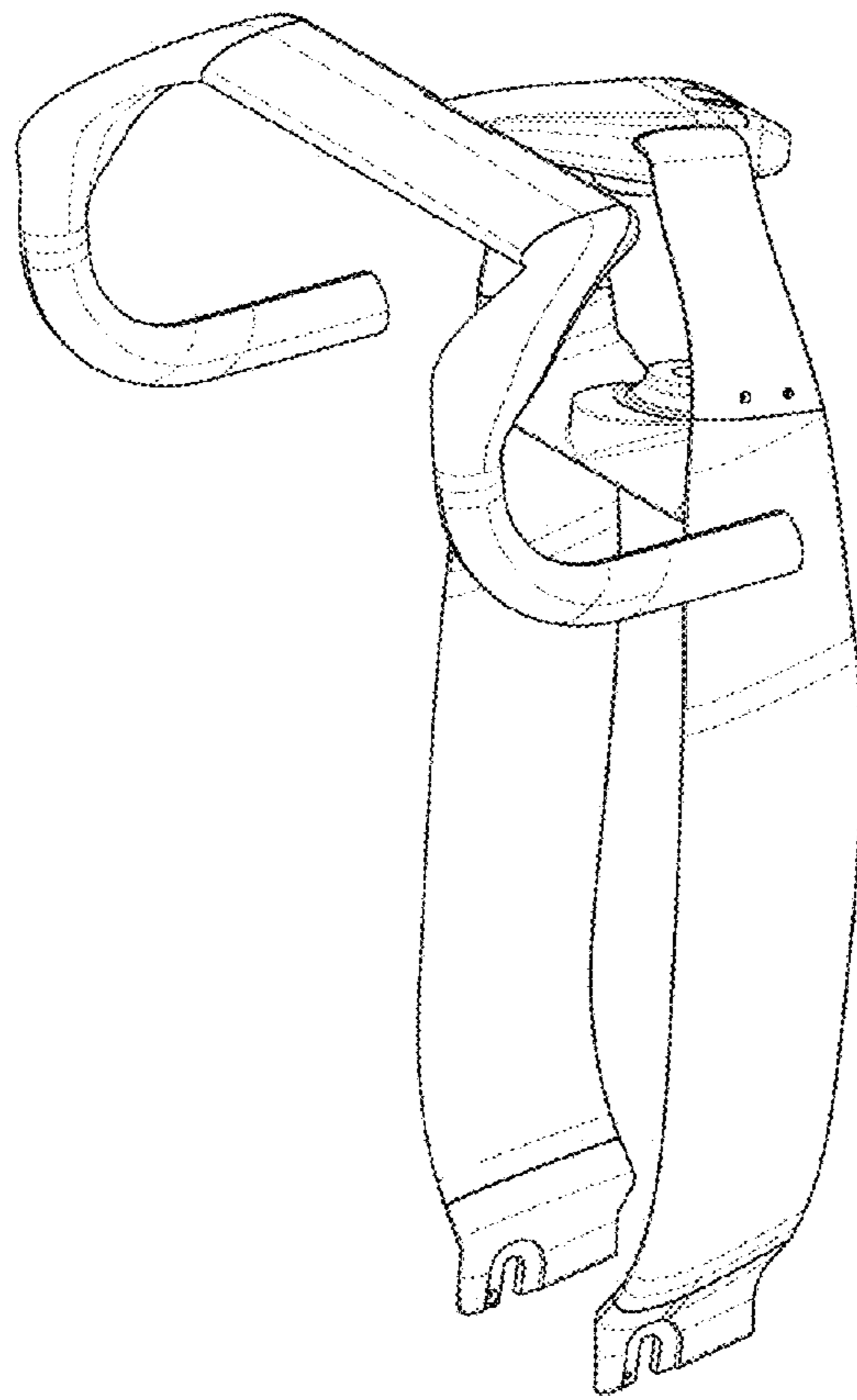


Fig.1

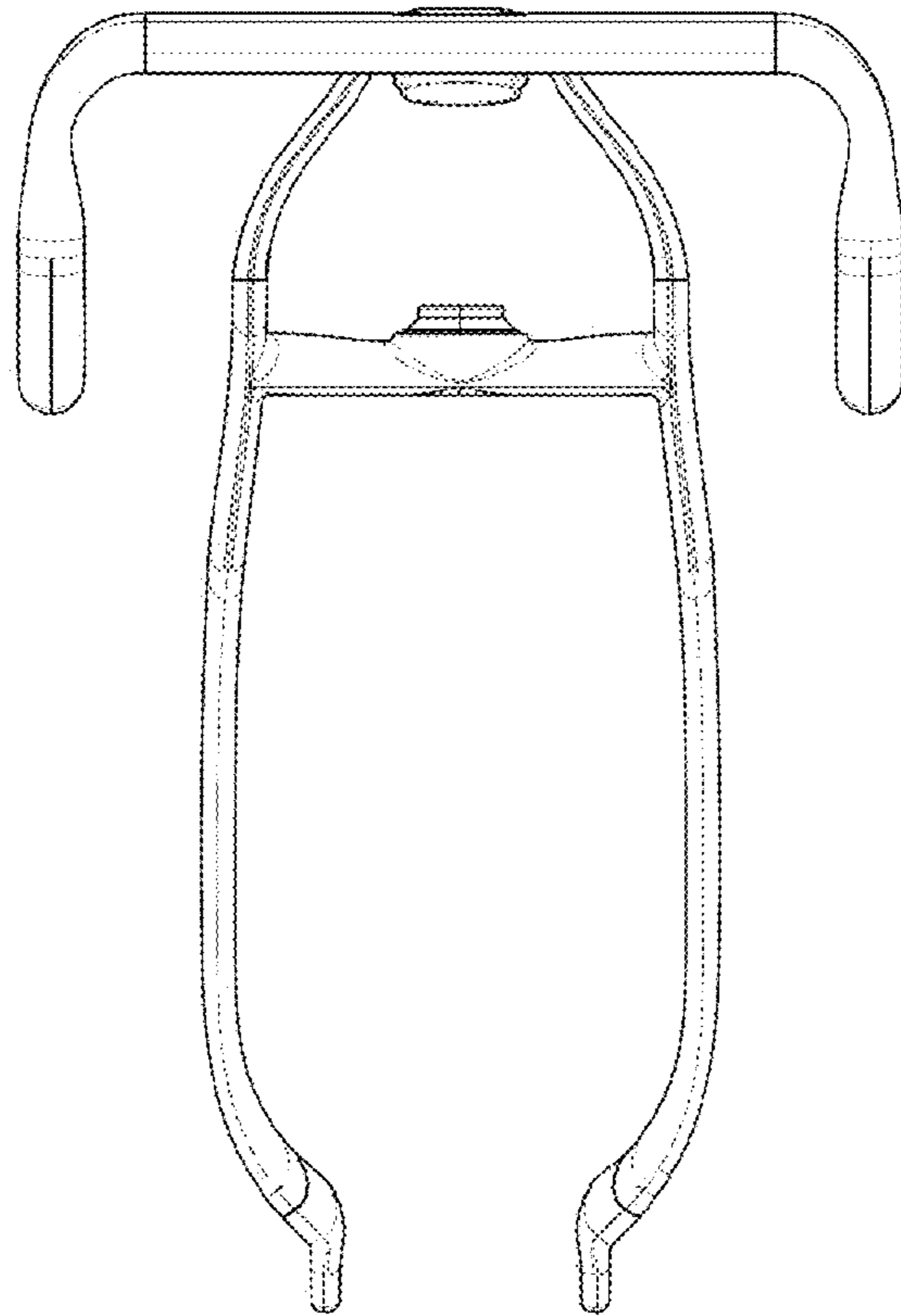


Fig.2

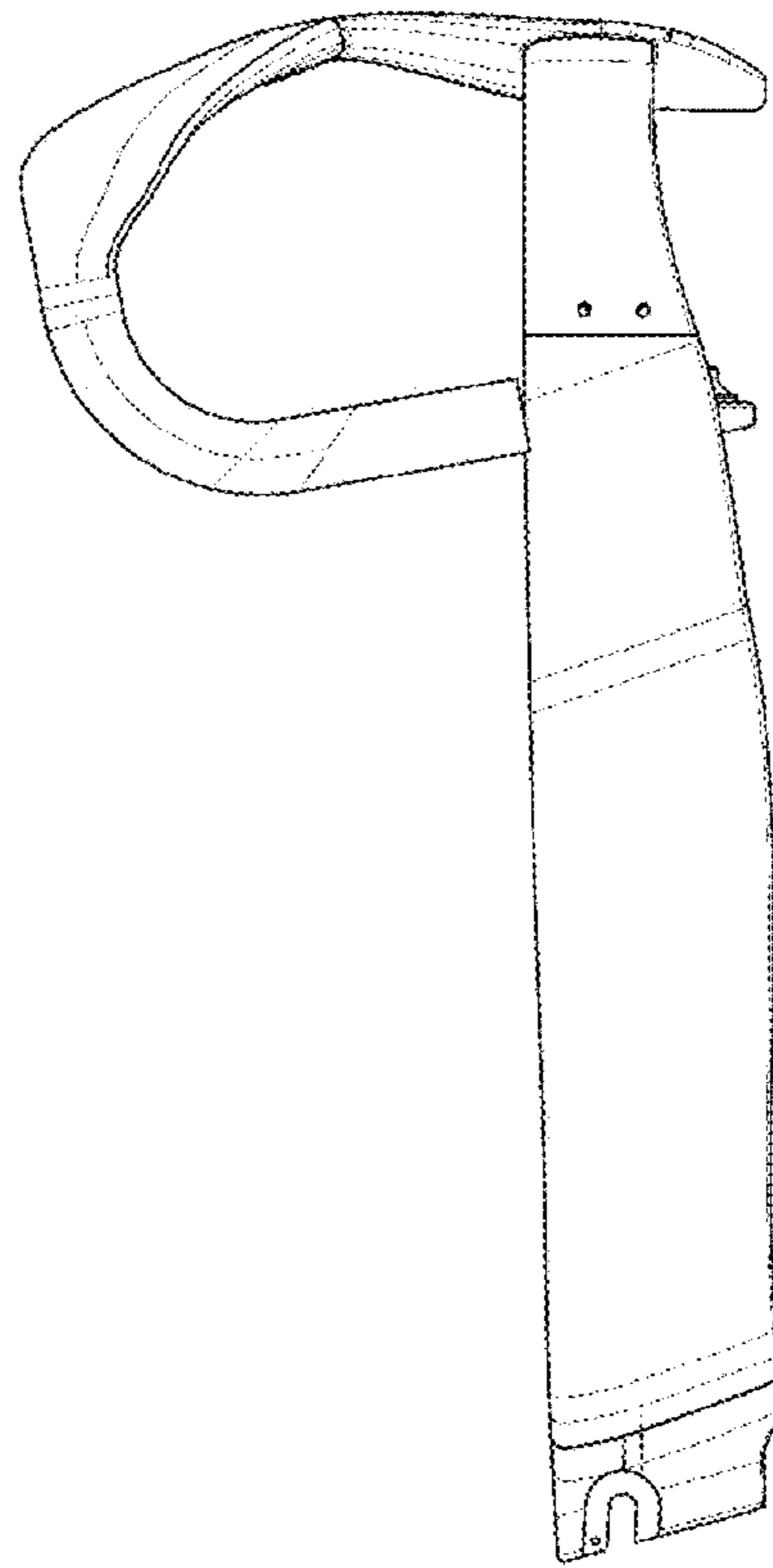


Fig.3

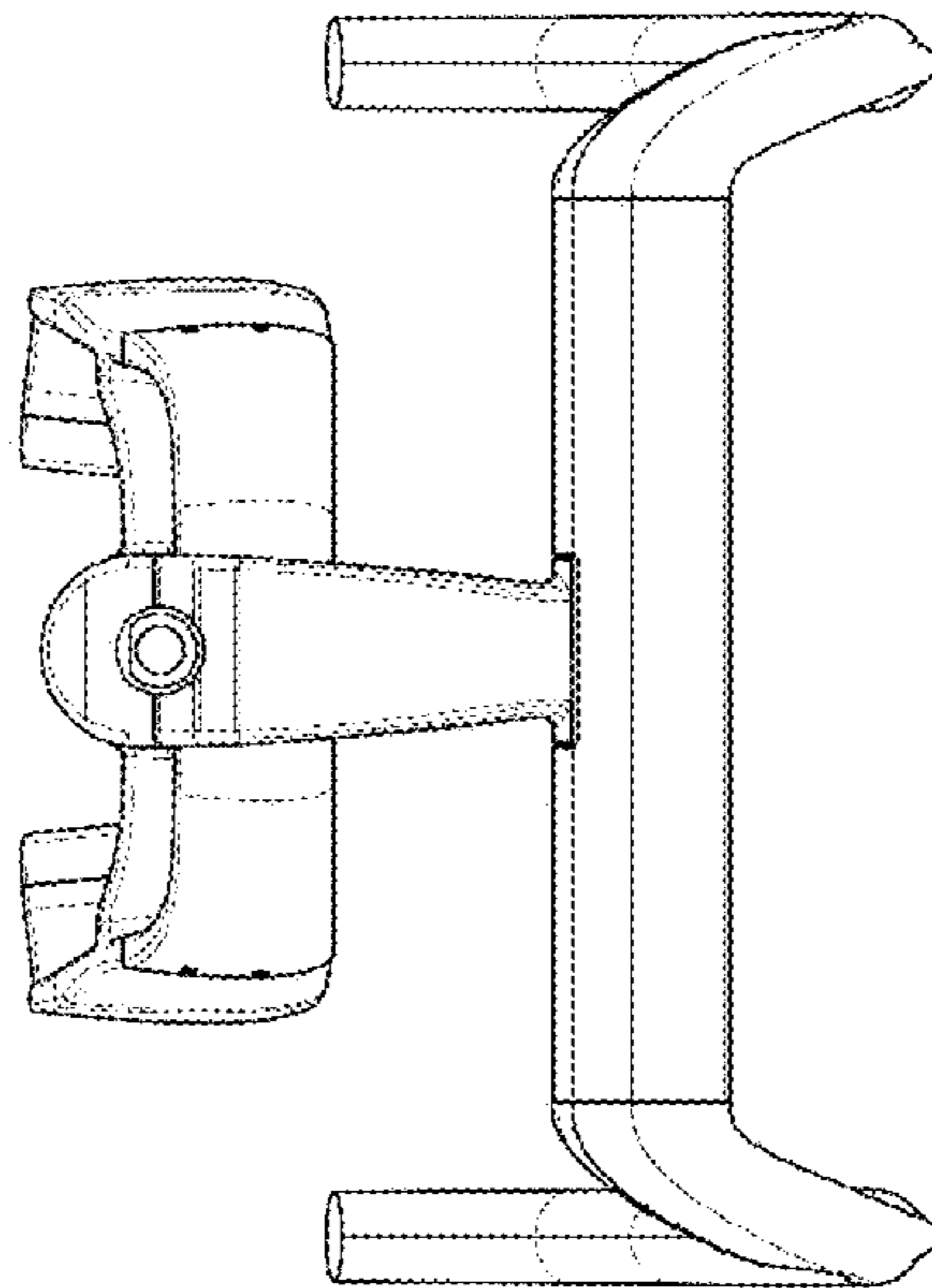


Fig.4