



US00D925415S

(12) **United States Design Patent**
Huang

(10) **Patent No.:** **US D925,415 S**

(45) **Date of Patent:** **** Jul. 20, 2021**

- (54) **BULL BAR**
- (71) Applicant: **WINBO-Dongjian Automotive Technology Co., Ltd., Foshan (CN)**
- (72) Inventor: **Wentao Huang, Foshan (CN)**
- (73) Assignee: **WINBO-Dongjian Automotive Technology Co., Ltd.**
- (**) Term: **15 Years**
- (21) Appl. No.: **29/711,869**
- (22) Filed: **Nov. 4, 2019**
- (51) **LOC (13) Cl.** **12-16**
- (52) **U.S. Cl.**
USPC **D12/171**
- (58) **Field of Classification Search**
USPC D12/171, 22, 400, 101, 93, 401, 404,
D12/406, 412, 414, 223; D6/552;
D26/31
CPC ... B60R 19/50; B60R 19/52; B60R 2019/522;
B60R 2019/525; B60R 2019/505; B60Q
1/18
See application file for complete search history.

- D830,923 S * 10/2018 Tang D12/171
- D831,548 S * 10/2018 Wu D12/171
- 10,315,599 B2 * 6/2019 Yang B60Q 1/2661
- D862,357 S * 10/2019 Bibb, VI D12/222
- D888,619 S * 6/2020 Dickman D12/163
- D891,312 S * 7/2020 Brendel D12/163
- D891,317 S * 7/2020 Kang D12/163
- D891,329 S * 7/2020 Nissl D12/171

OTHER PUBLICATIONS

“2014-2018 CHEVROLET/GMC 1500 Bull Bar” Hammerhead., posted date Mar. 1, 2018 [online], [retrieved on Dec. 31, 2020]. Retrieved from the Internet <URL: <https://hammerheadarmor.com/product/chevrolet-gmc-1500-bull-bar-2014-2018-2/>> (Year: 2018).*

(Continued)

Primary Examiner — Darlington Ly
Assistant Examiner — Nasim Abdulaziz Ali
(74) *Attorney, Agent, or Firm* — Lerner, David, Littenberg, Krumholz & Mentlik, LLP

(57) **CLAIM**

The ornamental design for a bull bar, as shown and described.

DESCRIPTION

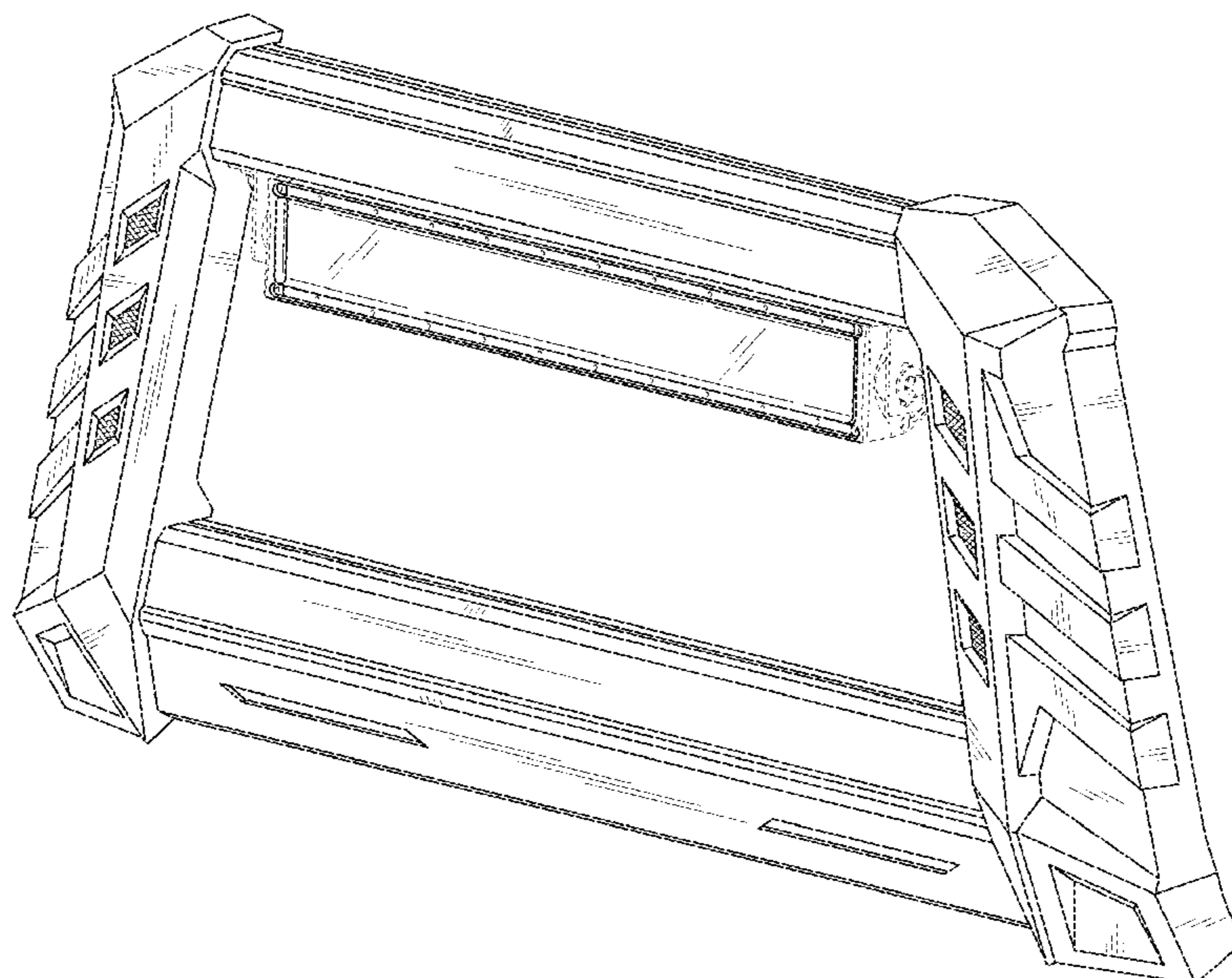
FIG. 1 is a front perspective view of a bull bar embodying my new design.
FIG. 2 is a front elevational view thereof;
FIG. 3 is a rear elevational view thereof;
FIG. 4 is a right side elevational view thereof;
FIG. 5 is a left side elevational view thereof;
FIG. 6 is a top plan view thereof;
FIG. 7 is a bottom plan view thereof; and,
FIG. 8 is a rear perspective view thereof.
The broken lines in the drawings illustrate portions of the bull bar that form no part of the claimed design.

1 Claim, 6 Drawing Sheets

(56) **References Cited**

U.S. PATENT DOCUMENTS

- D572,180 S * 7/2008 Storer D12/171
- D577,319 S * 9/2008 Storer D12/171
- D642,099 S * 7/2011 Nagao D12/171
- D737,181 S * 8/2015 Smith D12/169
- D743,856 S * 11/2015 Ma D12/171
- D811,967 S * 3/2018 Brown D12/171
- D823,751 S * 7/2018 Wu D12/171
- D823,752 S * 7/2018 Guo D12/172
- D825,417 S * 8/2018 Zeng D12/172
- D827,520 S * 9/2018 Wu D12/172
- D828,797 S * 9/2018 Guo D12/171



(56)

References Cited

OTHER PUBLICATIONS

“Lund Black Steel Bull Bar” LUND., posted date Mar. 27, 2019 [online], [retrieved on Dec. 31, 2020], Retrieved from the Internet <URL: <https://www.lundtruck.com/lund-86521213-revolution-bull-bar-black>> (Year: 2019).*

“TAC Predator Mesh Version Modular Bull Bar” TAC., posted date Oct. 3, 2017 [online], [retrieved on Dec. 31, 2020], Retrieved from the Internet <URL: <https://tinyurl.com/y9nneg78>> (Year: 2017).*

* cited by examiner

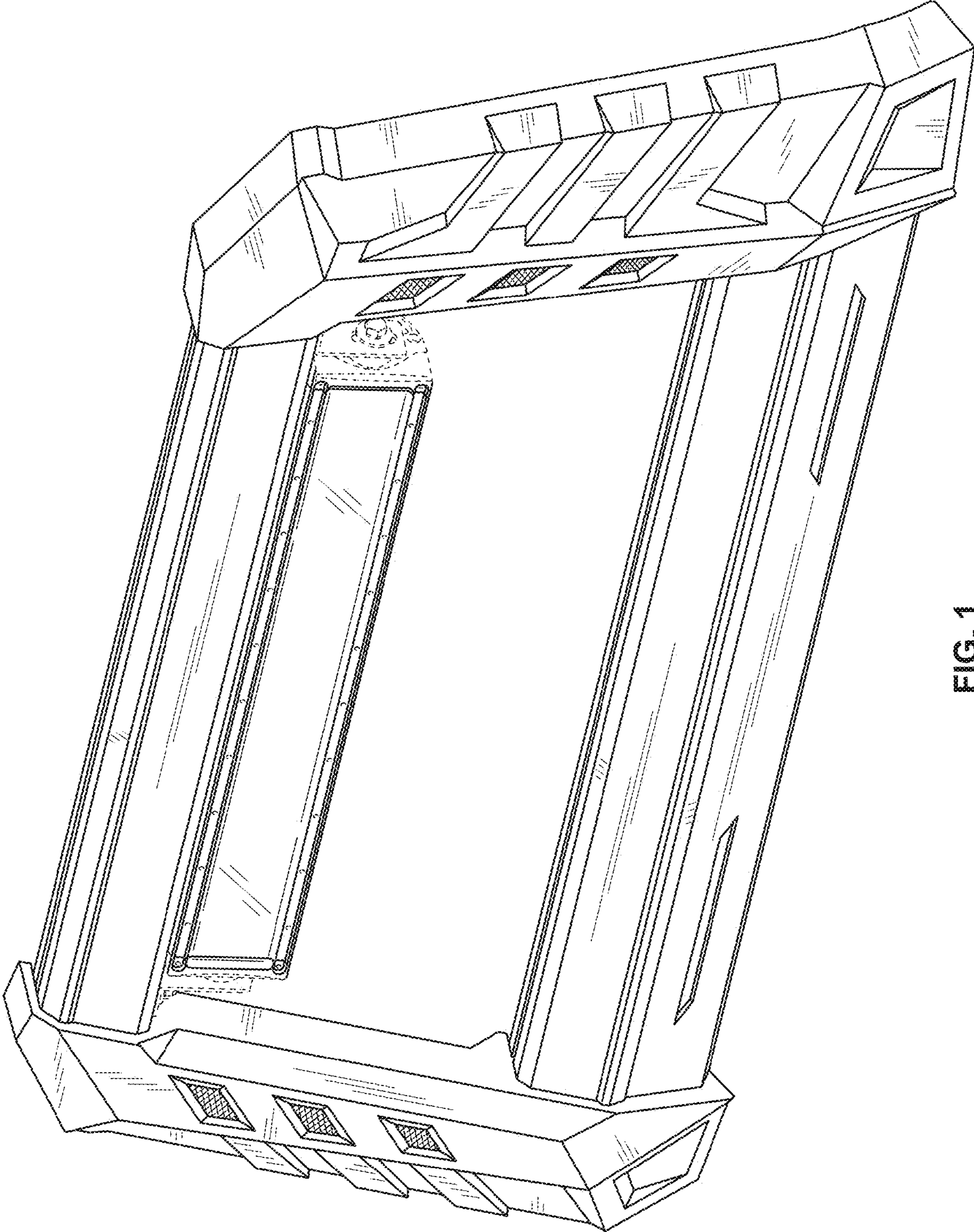


FIG. 1

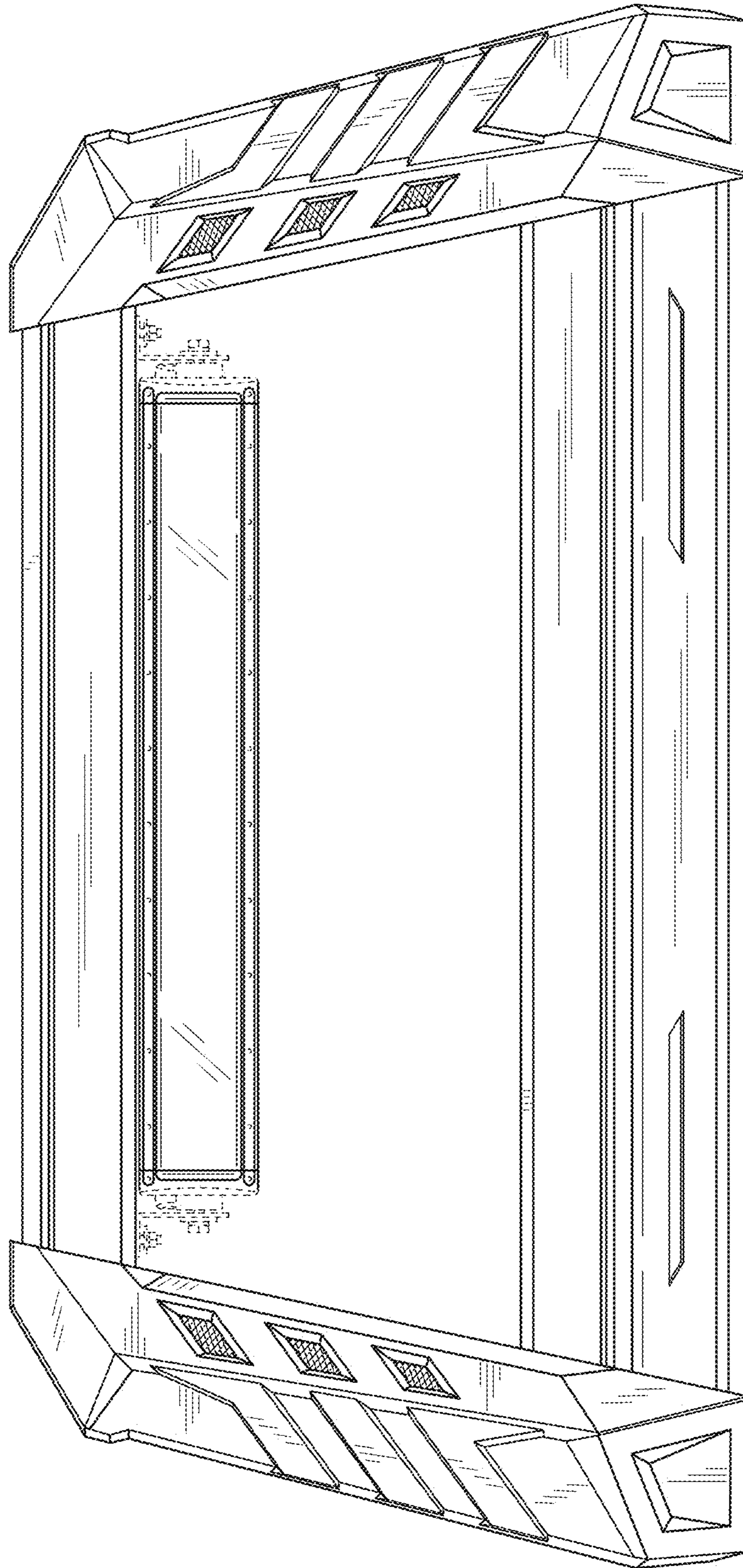


FIG. 2

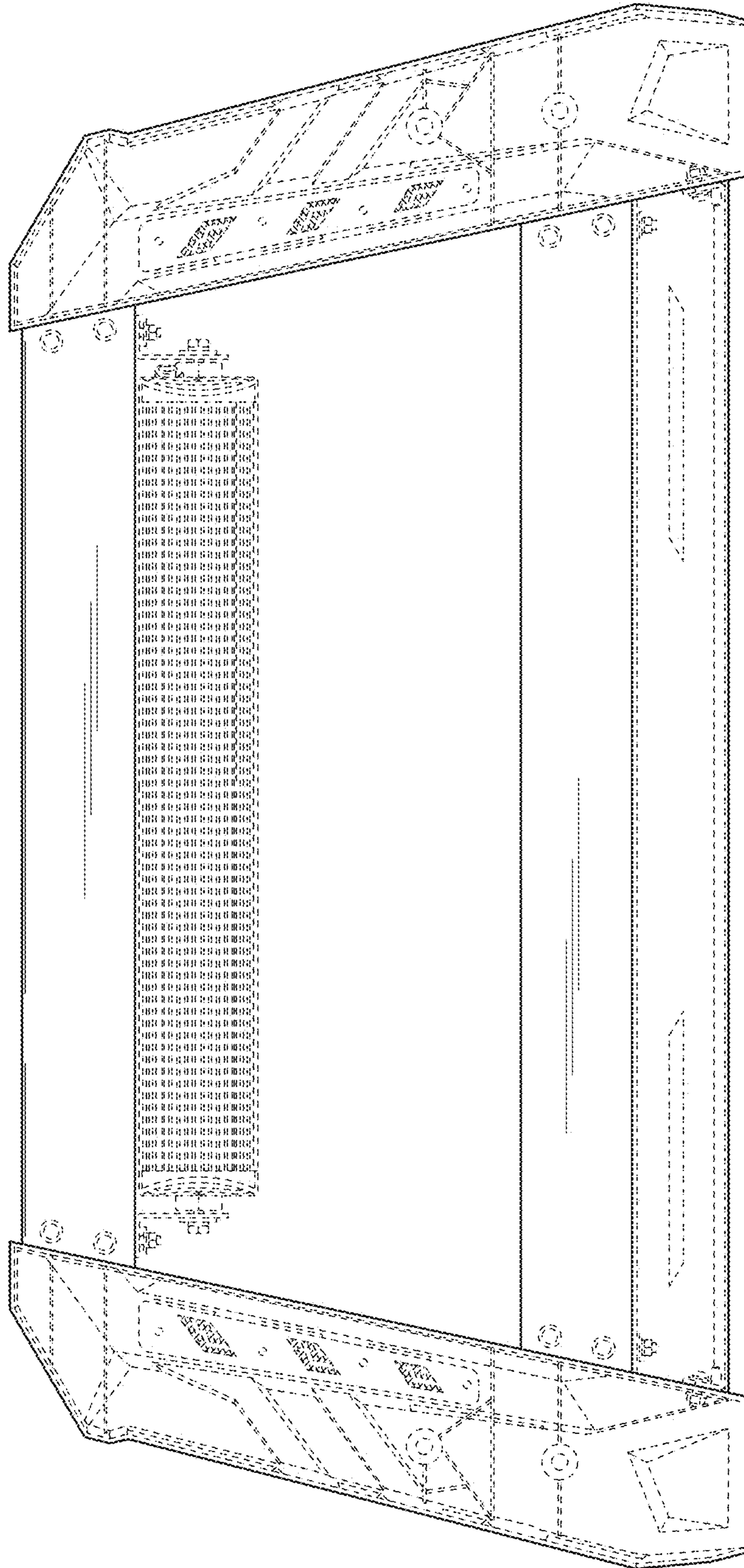


FIG. 3

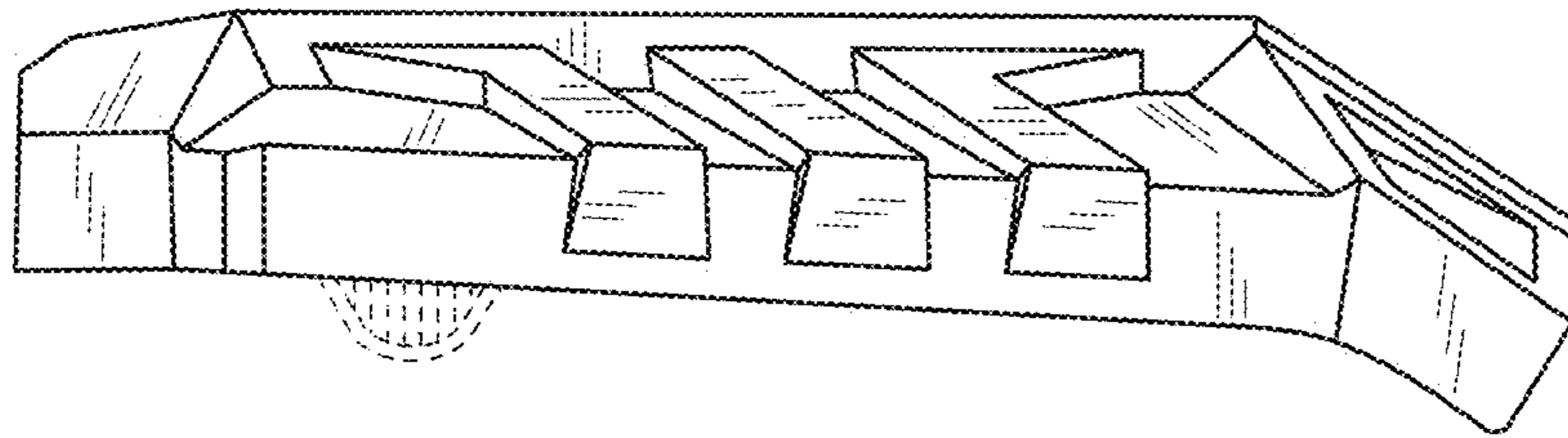


FIG. 5

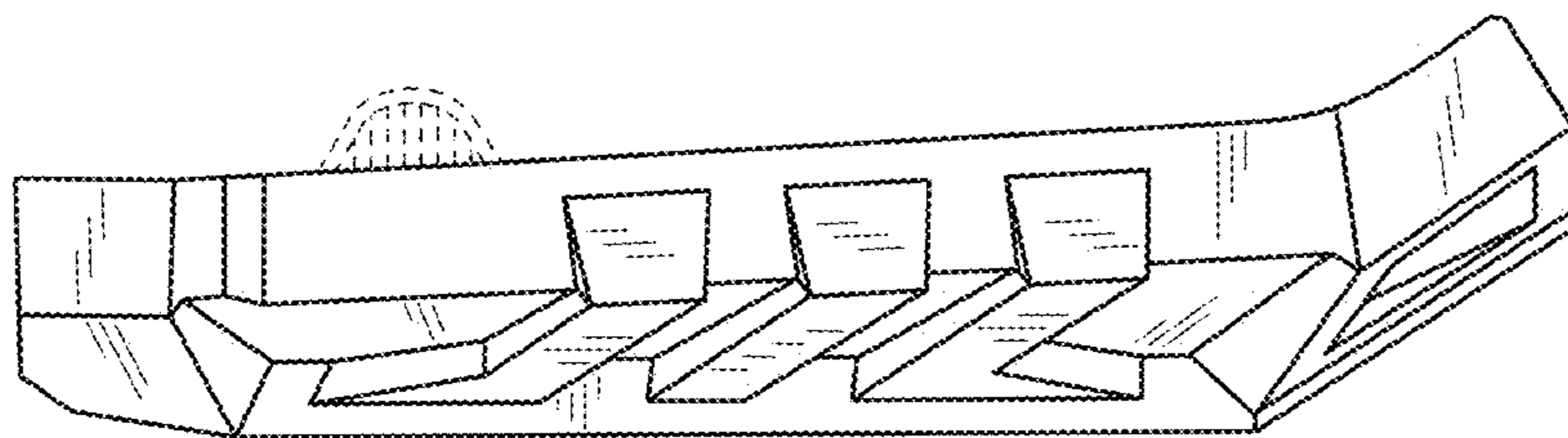


FIG. 4

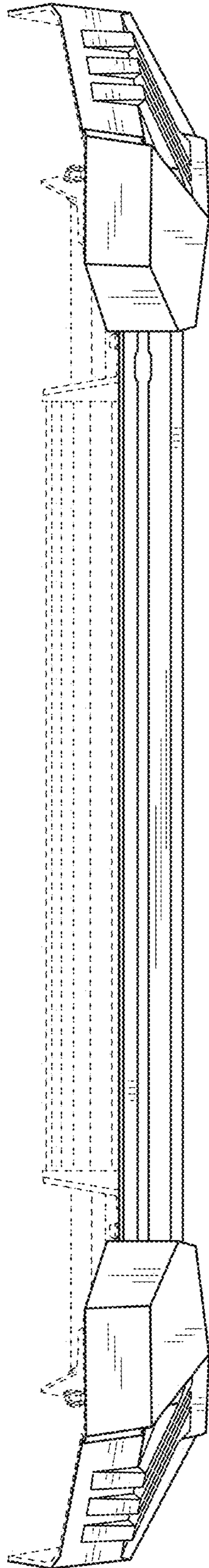


FIG. 6

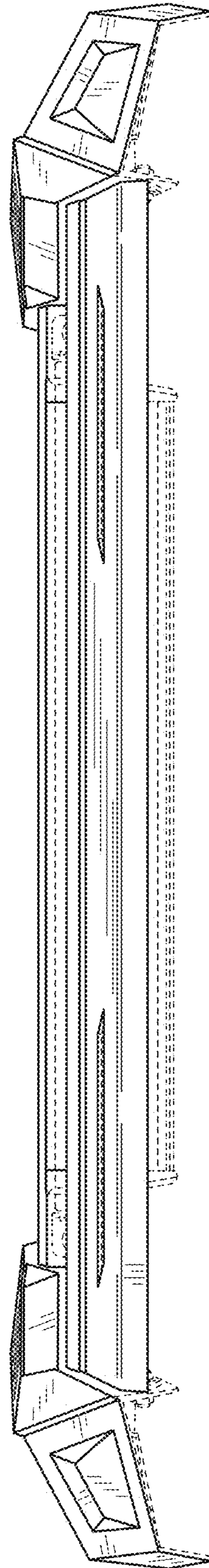


FIG. 7

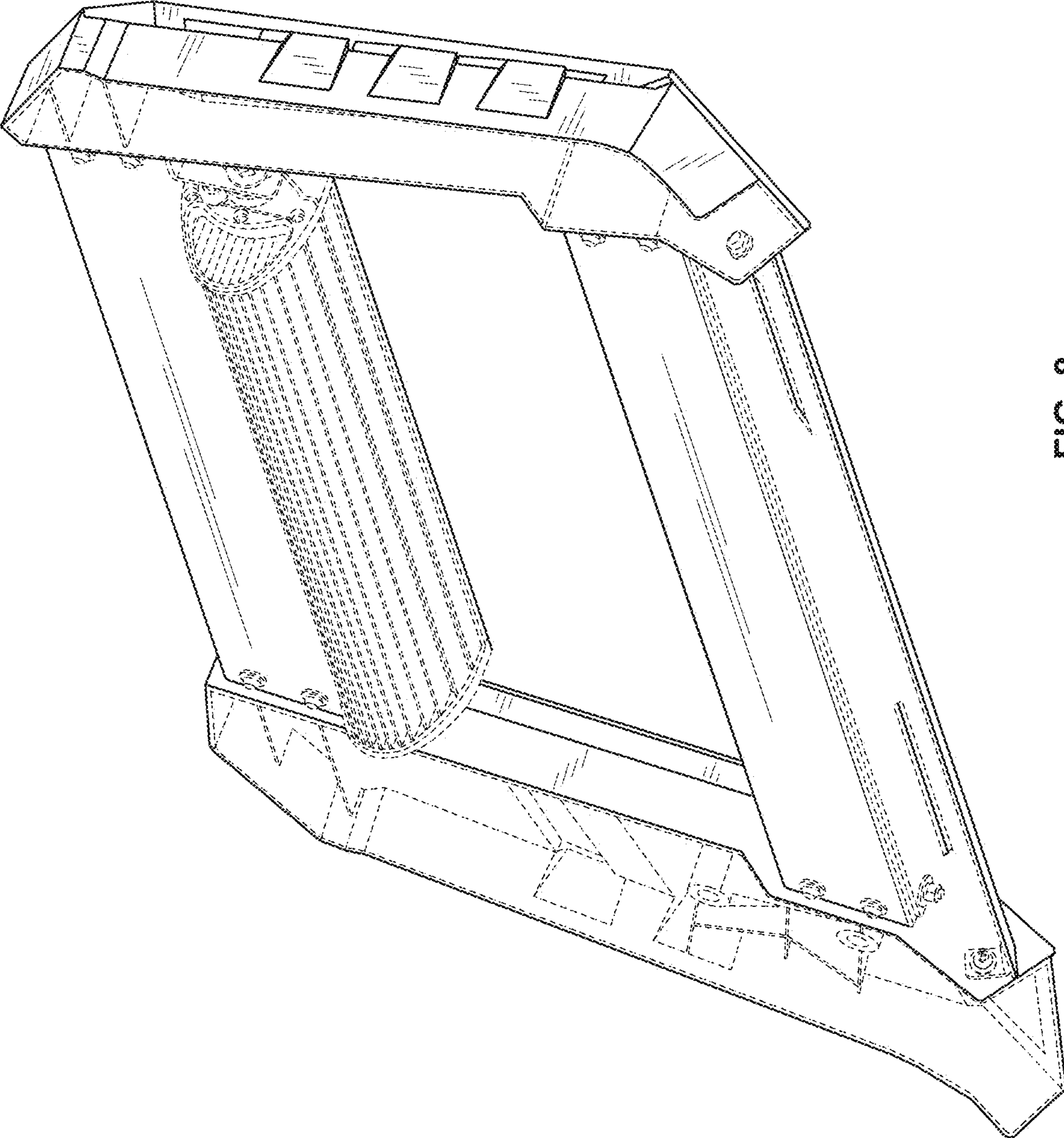


FIG. 8