



US00D925414S

(12) **United States Design Patent** (10) **Patent No.:** **US D925,414 S**  
**Zurian** (45) **Date of Patent:** **\*\* Jul. 20, 2021**

(54) **REAR BUMPER FOR A VEHICLE**  
(71) Applicant: **Bayerische Motoren Werke Aktiengesellschaft, Munich (DE)**  
(72) Inventor: **Khrystyne Zurian, Munich (DE)**  
(73) Assignee: **Bayerische Motoren Werke Aktiengesellschaft, Munich (DE)**

D792,815 S \* 7/2017 Kozub ..... D12/169  
D792,816 S \* 7/2017 Kozub ..... D12/169  
D814,988 S \* 4/2018 Szavits ..... D12/169  
D823,194 S \* 7/2018 Gueler ..... D12/169  
D842,769 S \* 3/2019 Takamatsu ..... D12/169  
D885,265 S \* 5/2020 Zipfel ..... D12/169

(\*\*) Term: **15 Years**

(21) Appl. No.: **29/722,600**

(22) Filed: **Jan. 31, 2020**

(30) **Foreign Application Priority Data**

Aug. 5, 2019 (DE) ..... 402019100843.8

(51) **LOC (13) Cl.** ..... **12-16**

(52) **U.S. Cl.**  
USPC ..... **D12/169**

(58) **Field of Classification Search**  
USPC ... D12/1, 14, 82, 85, 86, 87, 88, 89, 90, 91,  
D12/92, 93, 96, 97, 98, 99, 163, 164,  
D12/165, 166, 167, 169, 170, 171, 172,  
D12/173, 181, 184, 185, 190, 196, 216,  
D12/223, 400; D21/533, 548, 552, 561  
CPC ..... B60R 19/02; B60R 19/04; B60R 19/18;  
B60R 19/24; B60R 19/44; B60R 19/48;  
B60R 19/56; B60R 2019/007; B60R  
2019/527; B60R 2019/1886; B62D 25/08  
See application file for complete search history.

(56) **References Cited**

**U.S. PATENT DOCUMENTS**

D599,722 S \* 9/2009 Kimura ..... D12/169  
D737,741 S 9/2015 Goepfel

**OTHER PUBLICATIONS**

2021 Mini Countryman, Published on May 26, 2020 [online],  
[retrieved on Apr. 1, 2021]. Retrieved from the Internet: <https://www.caranddriver.com/news/a32674660/2021-mini-countryman-revealed/> (Year: 2020).\*

\* cited by examiner

*Primary Examiner* — Christian P. McLean  
*Assistant Examiner* — Adam C Mager

(74) *Attorney, Agent, or Firm* — Crowell & Moring LLP

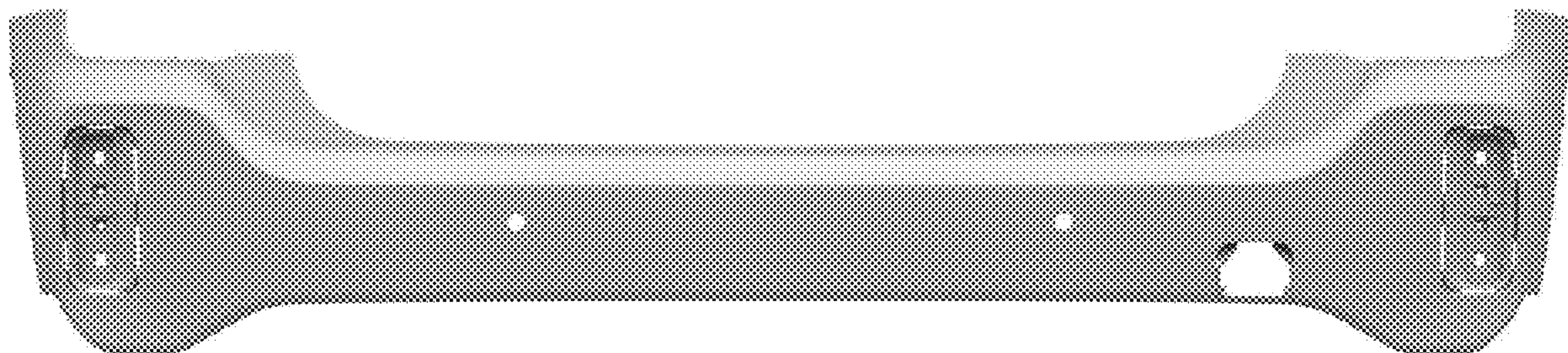
(57) **CLAIM**

The ornamental design for a rear bumper for a vehicle, as shown and described.

**DESCRIPTION**

FIG. 1 is a front view of a rear bumper for a vehicle according to the design;  
FIG. 2 is a left, bottom perspective view thereof;  
FIG. 3 is a right, front perspective view thereof;  
FIG. 4 is a left side view thereof;  
FIG. 5 is a right side view thereof;  
FIG. 6 is a top view thereof;  
FIG. 7 is a bottom view thereof; and,  
FIG. 8 is a rear view thereof.

**1 Claim, 8 Drawing Sheets**



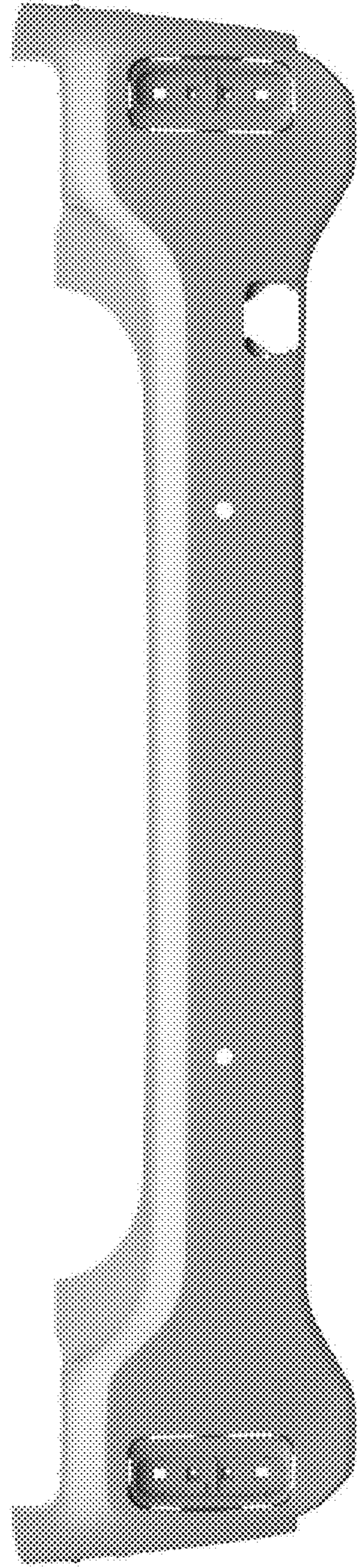


Fig. 1

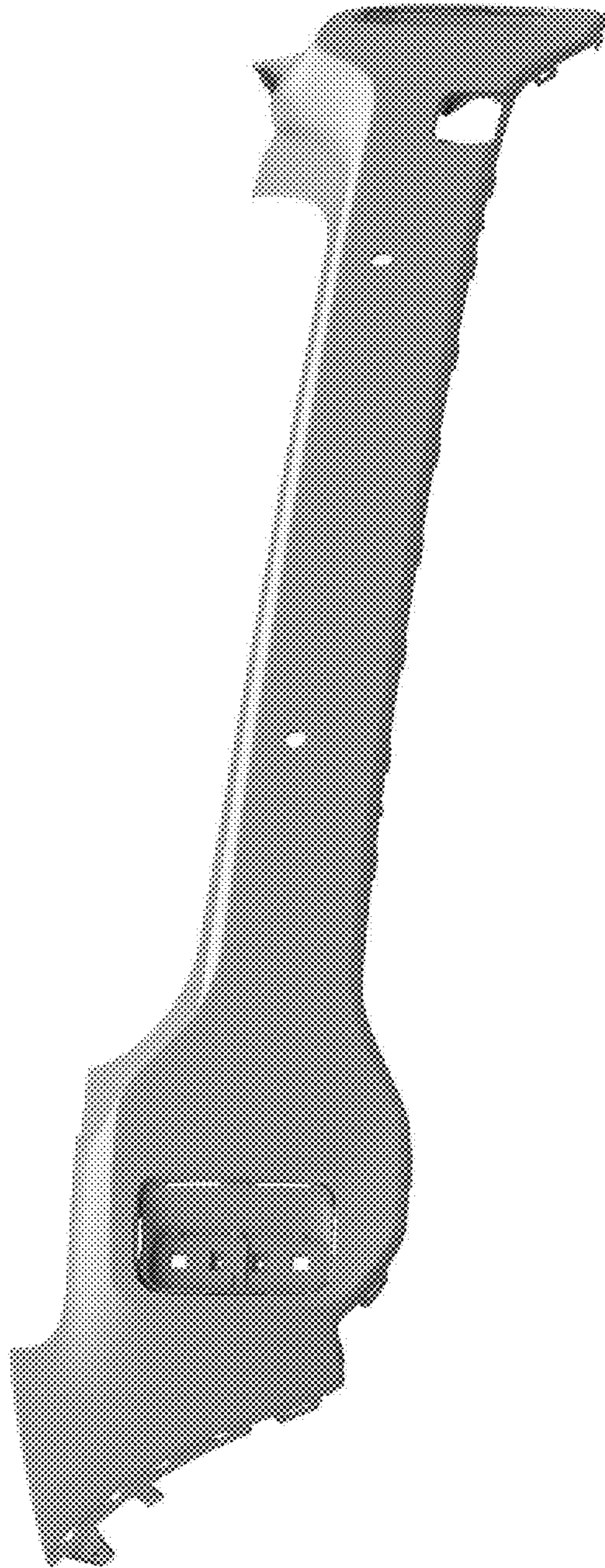


Fig. 2

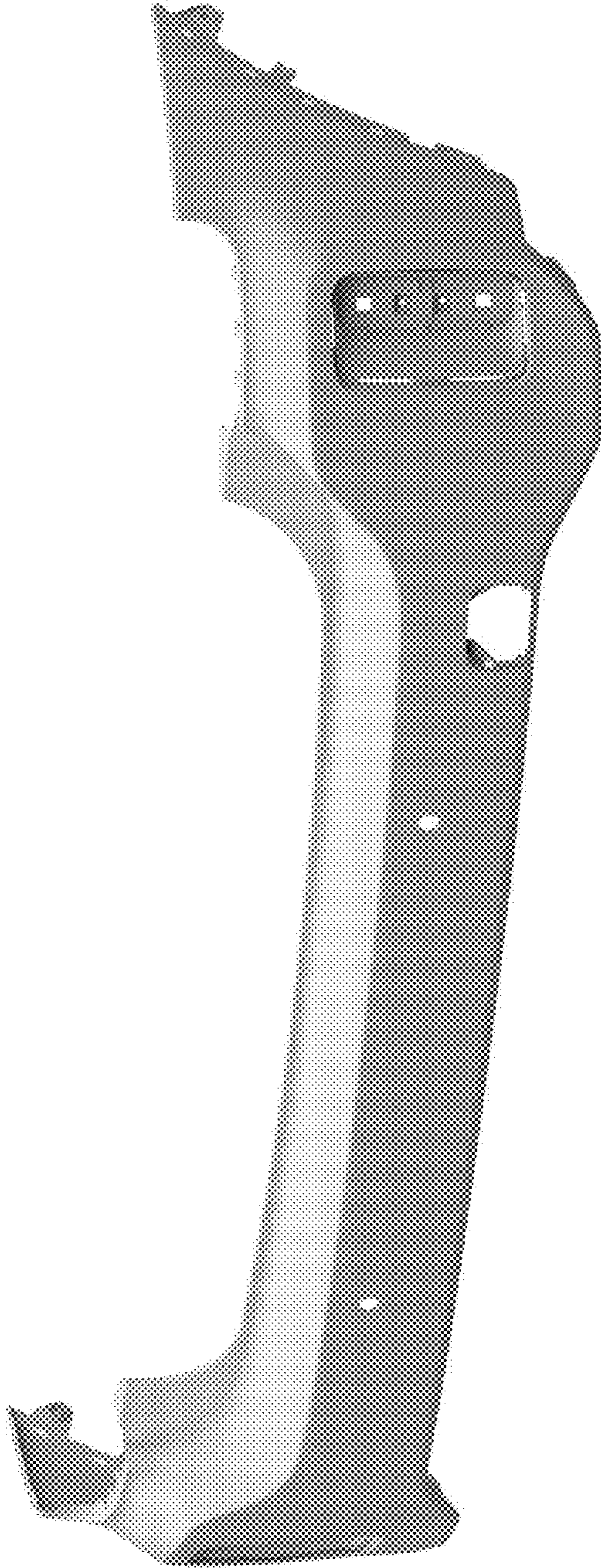


Fig. 3

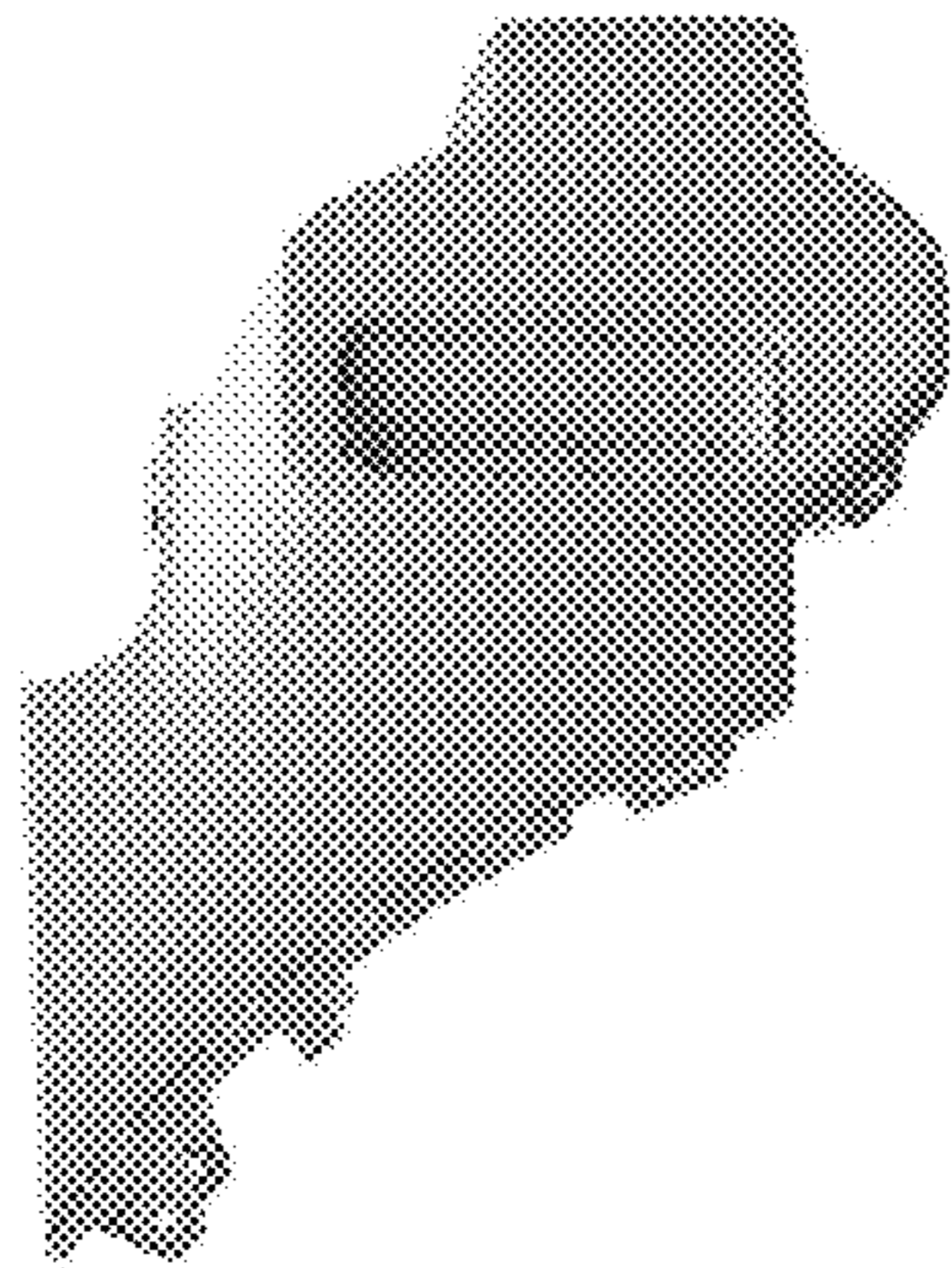


Fig. 4

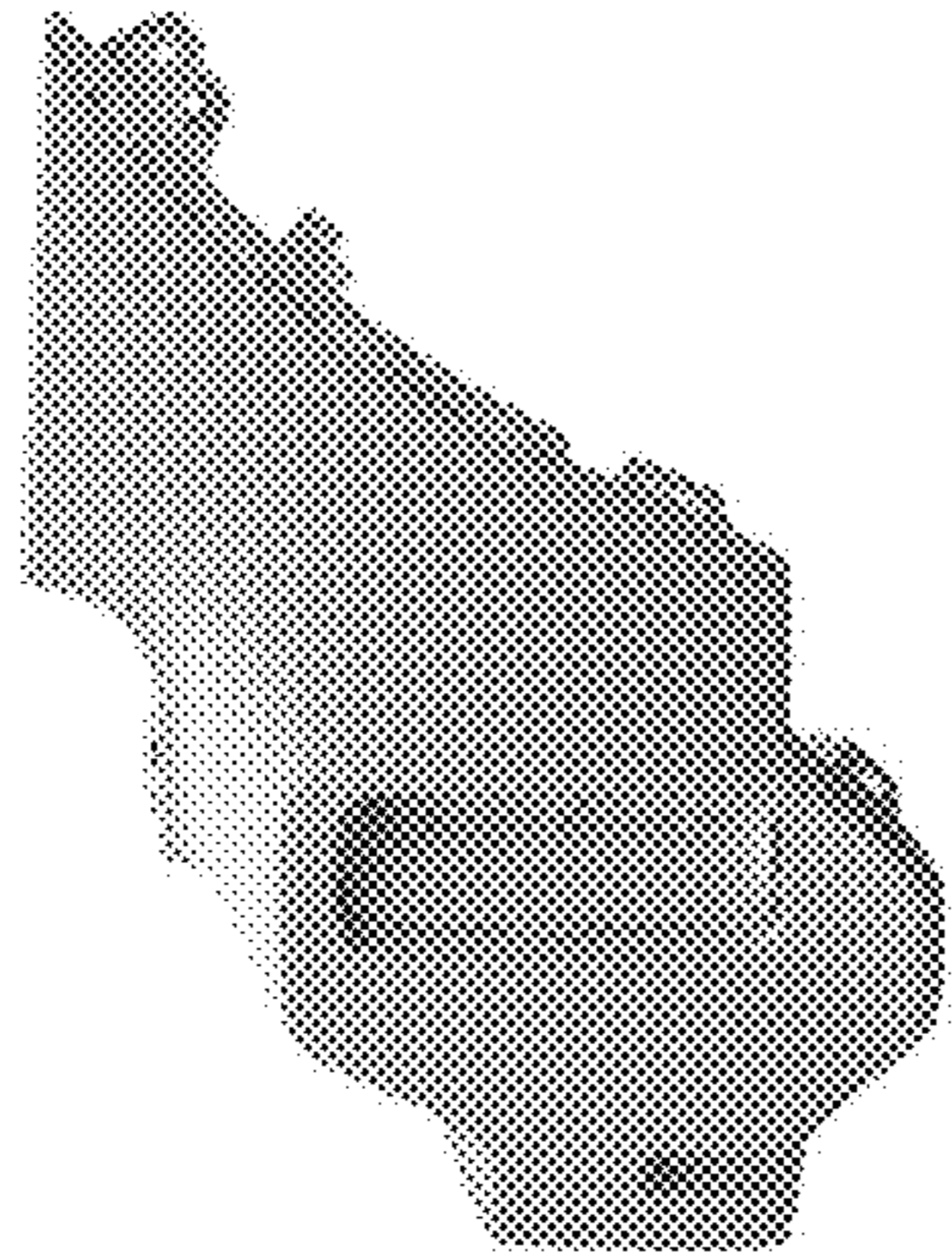


Fig. 5

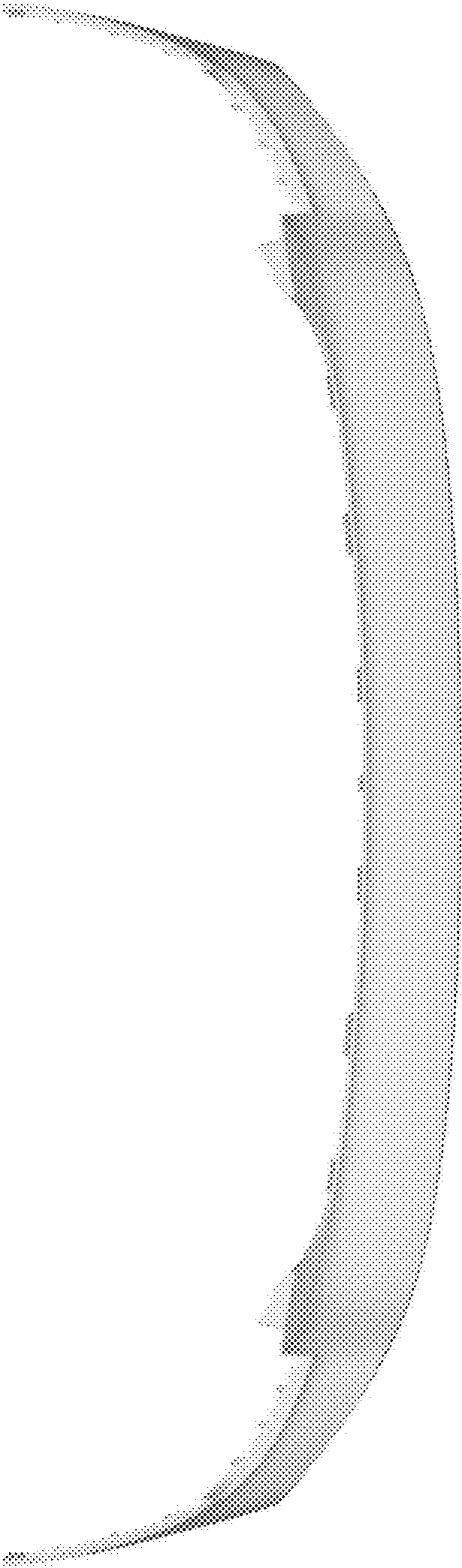


Fig. 6

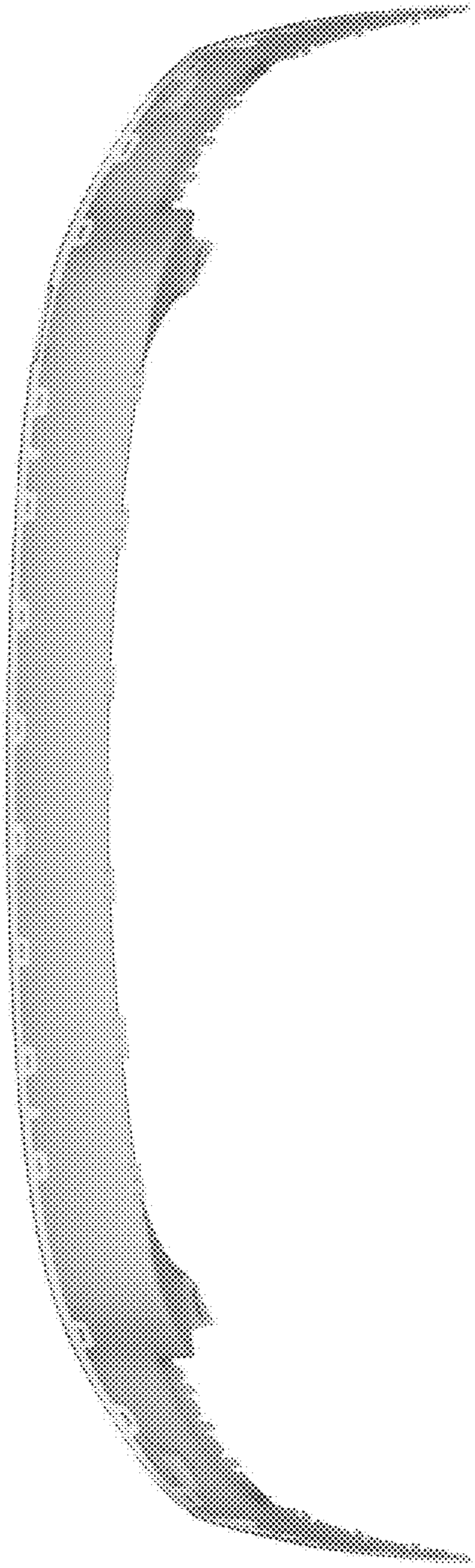


Fig. 7



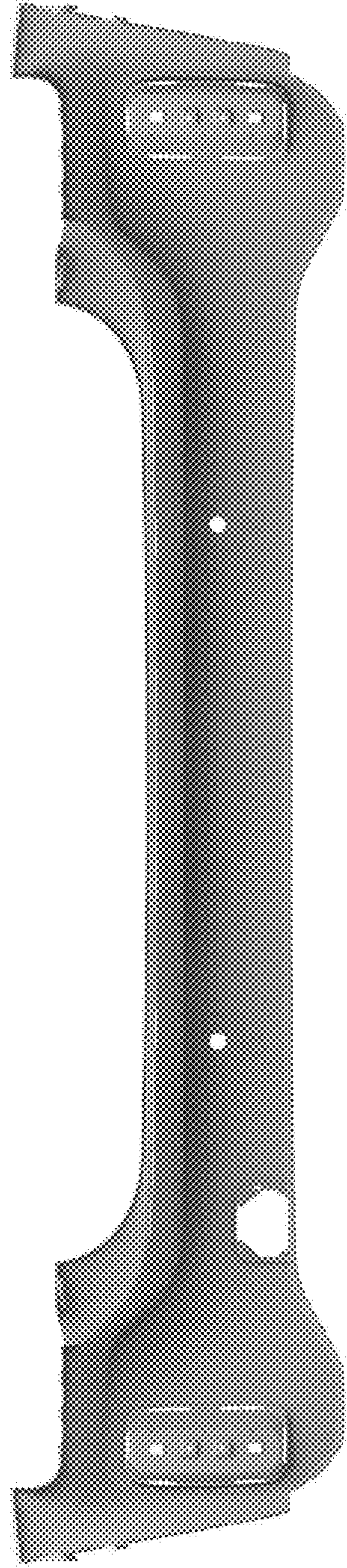


Fig. 8