



US00D925413S

(12) **United States Design Patent** (10) **Patent No.:** **US D925,413 S**
Wakabayashi et al. (45) **Date of Patent:** **** Jul. 20, 2021**

(54) **REAR BUMPER FOR AUTOMOBILE**
(71) Applicant: **Nissan Motor Co., Ltd.**, Kanagawa (JP)
(72) Inventors: **Koji Wakabayashi**, Kanagawa (JP); **Takashi Utsunomiya**, Kanagawa (JP)
(73) Assignee: **Nissan Motor Co., Ltd.**, Yokohama (JP)

D842,776 S * 3/2019 Basmanov D12/169
D856,871 S * 8/2019 Takeda D12/169
D868,648 S * 12/2019 Lee D12/169

* cited by examiner

Primary Examiner — Melody N Brown
(74) *Attorney, Agent, or Firm* — Global IP Counselors, LLP

(**) Term: **15 Years**
(21) Appl. No.: **29/709,095**
(22) Filed: **Oct. 11, 2019**

(57) **CLAIM**

The ornamental design for a rear bumper for an automobile, as shown and described.

(30) **Foreign Application Priority Data**

DESCRIPTION

Apr. 12, 2019 (JP) 2019-008085
(51) **LOC (13) Cl.** **12-16**
(52) **U.S. Cl.**
USPC **D12/169**
(58) **Field of Classification Search**
USPC D12/169, 163, 196, 86, 90-92;
296/180.1, 180.2; 293/102, 115, 117, 120
CPC B60R 2019/25; B62D 25/084
See application file for complete search history.

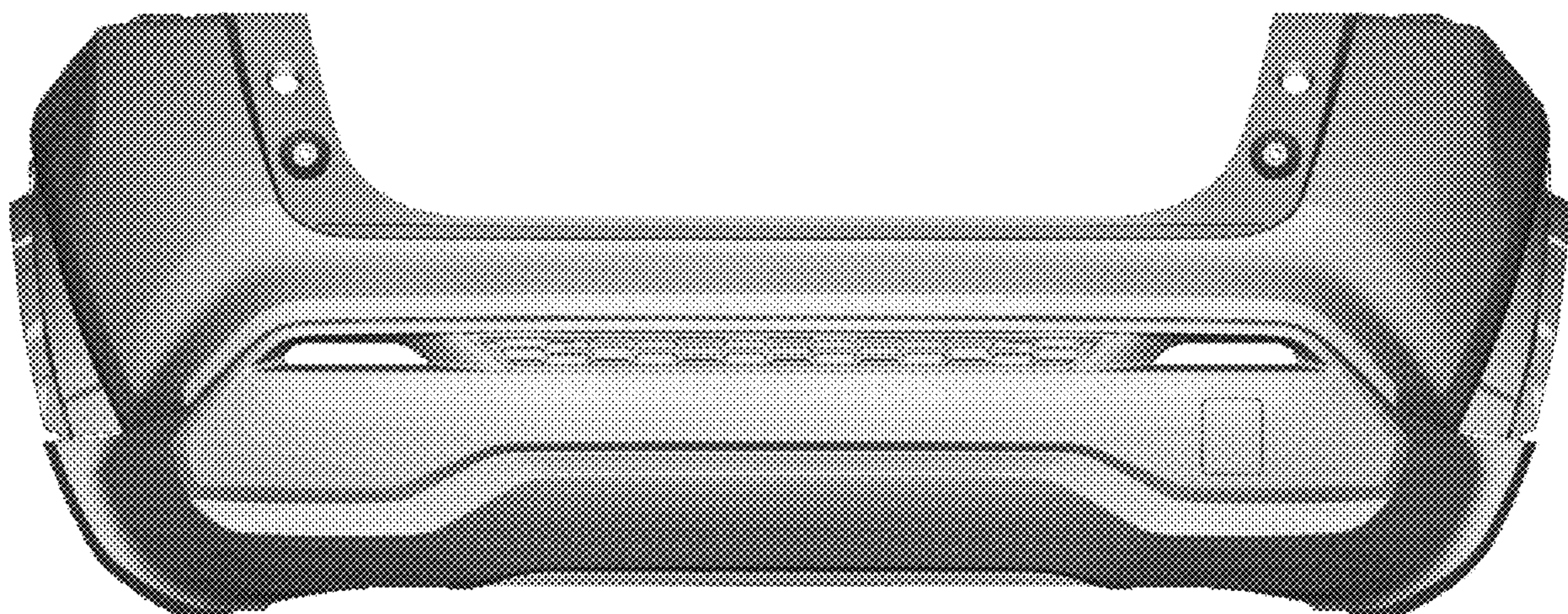
FIG. 1 is a front elevational view of a rear bumper for an automobile showing our new design;
FIG. 2 is a top plan view thereof;
FIG. 3 is a bottom plan view thereof;
FIG. 4 is a left side elevational view thereof;
FIG. 5 is a right side elevational view thereof;
FIG. 6 is a front and left side perspective view thereof; and,
FIG. 7 is a front and right side perspective view thereof.
The rear view of the rear bumper forms no part of the claimed design. The inside surfaces of the rear bumper, shown in broken lines in FIGS. 2, 3, 6 and 7, form no part of the claimed design since the inside surfaces are hidden when the rear bumper is mounted to the automobile.

(56) **References Cited**

1 Claim, 7 Drawing Sheets

U.S. PATENT DOCUMENTS

D788,657 S * 6/2017 Oohashi D12/169
D820,175 S * 6/2018 Ishigaki D12/169



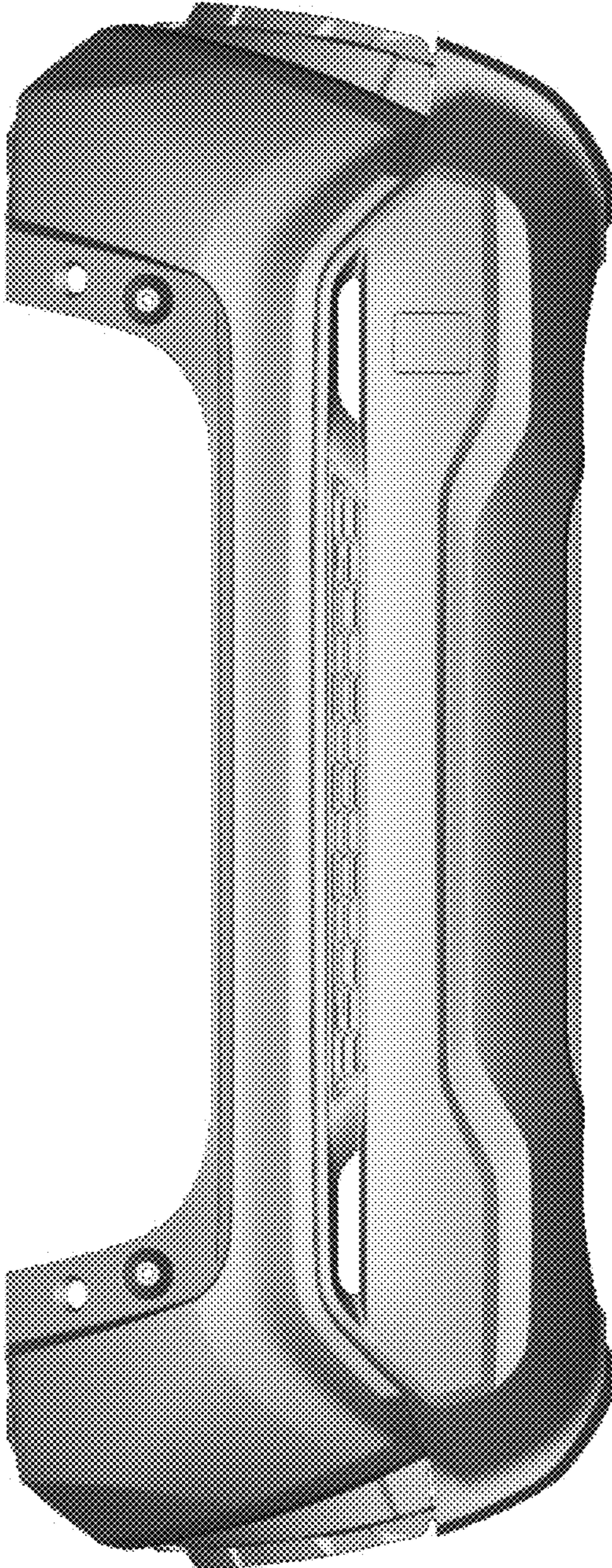


FIG. 1

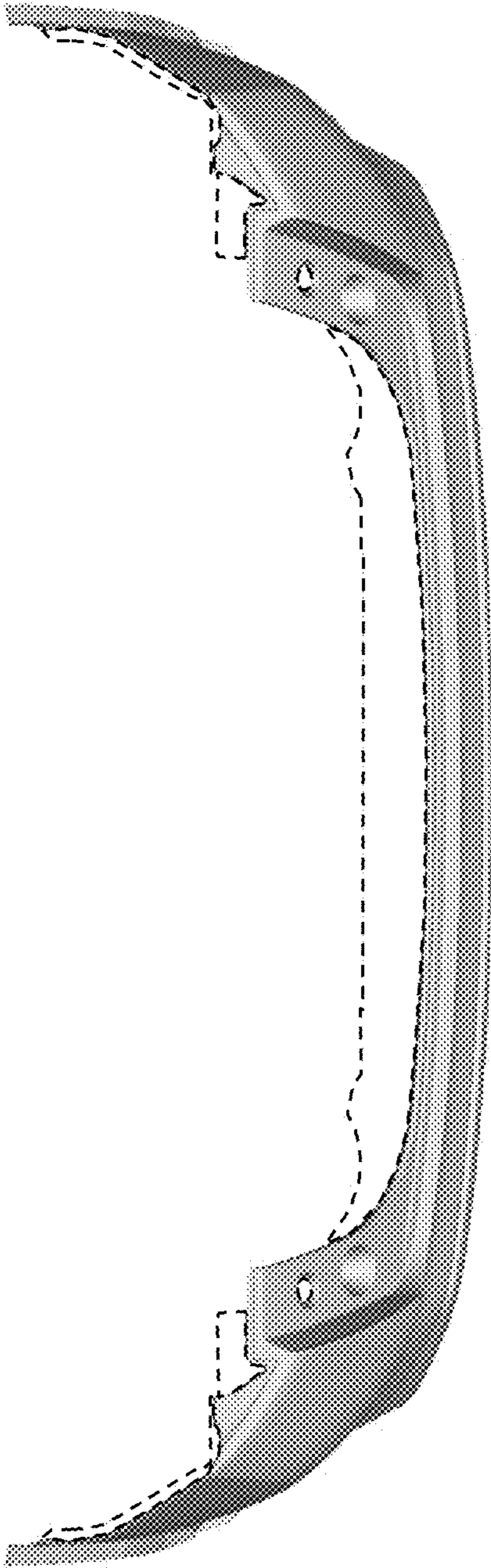


FIG. 2

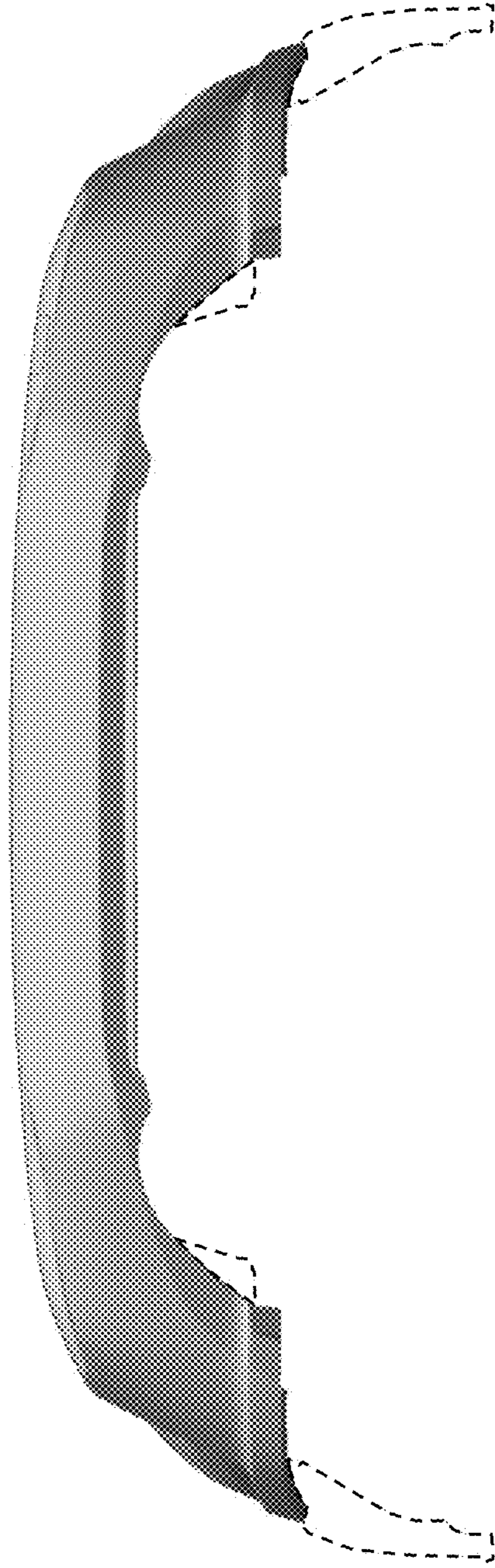


FIG. 3

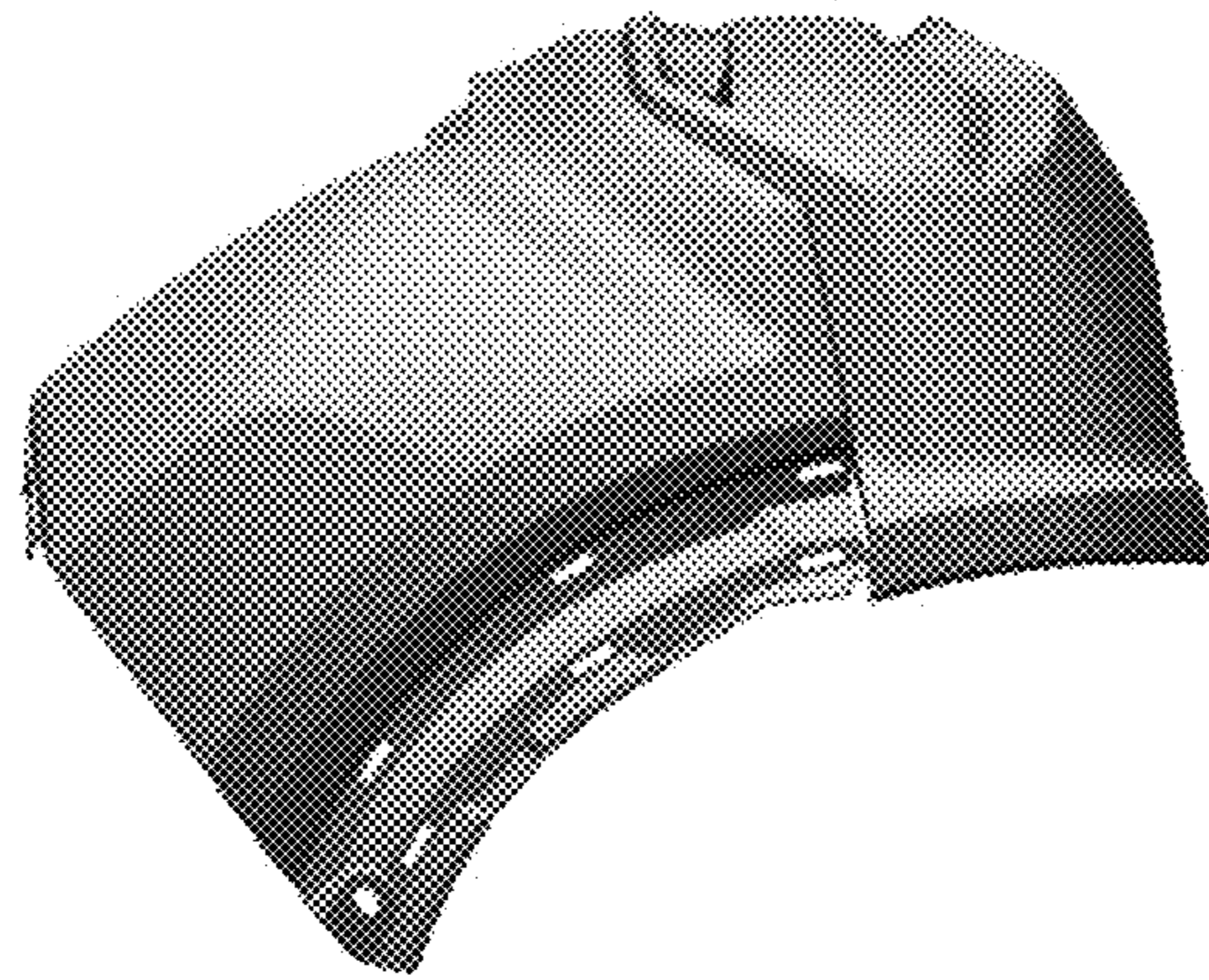


FIG. 4

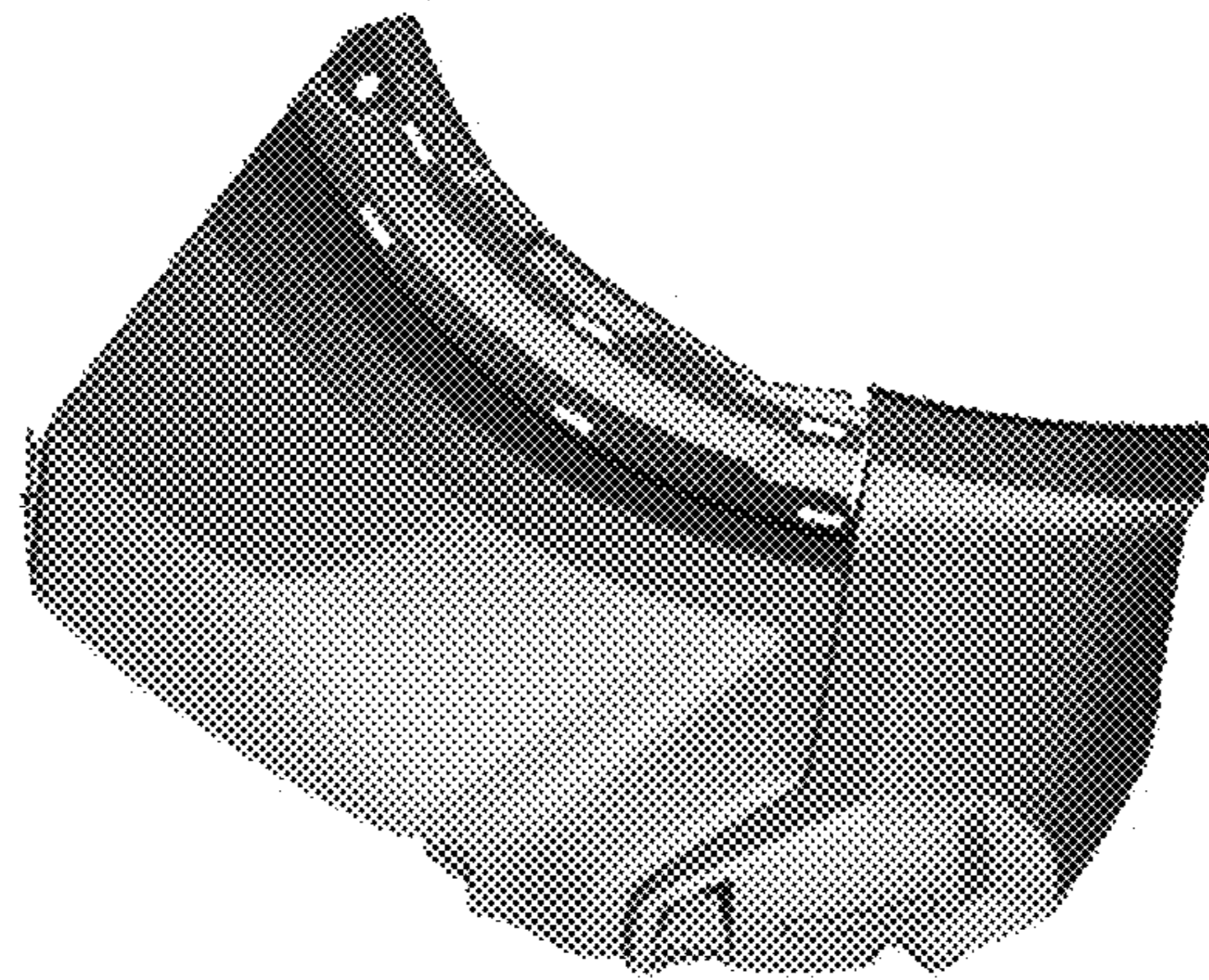


FIG. 5

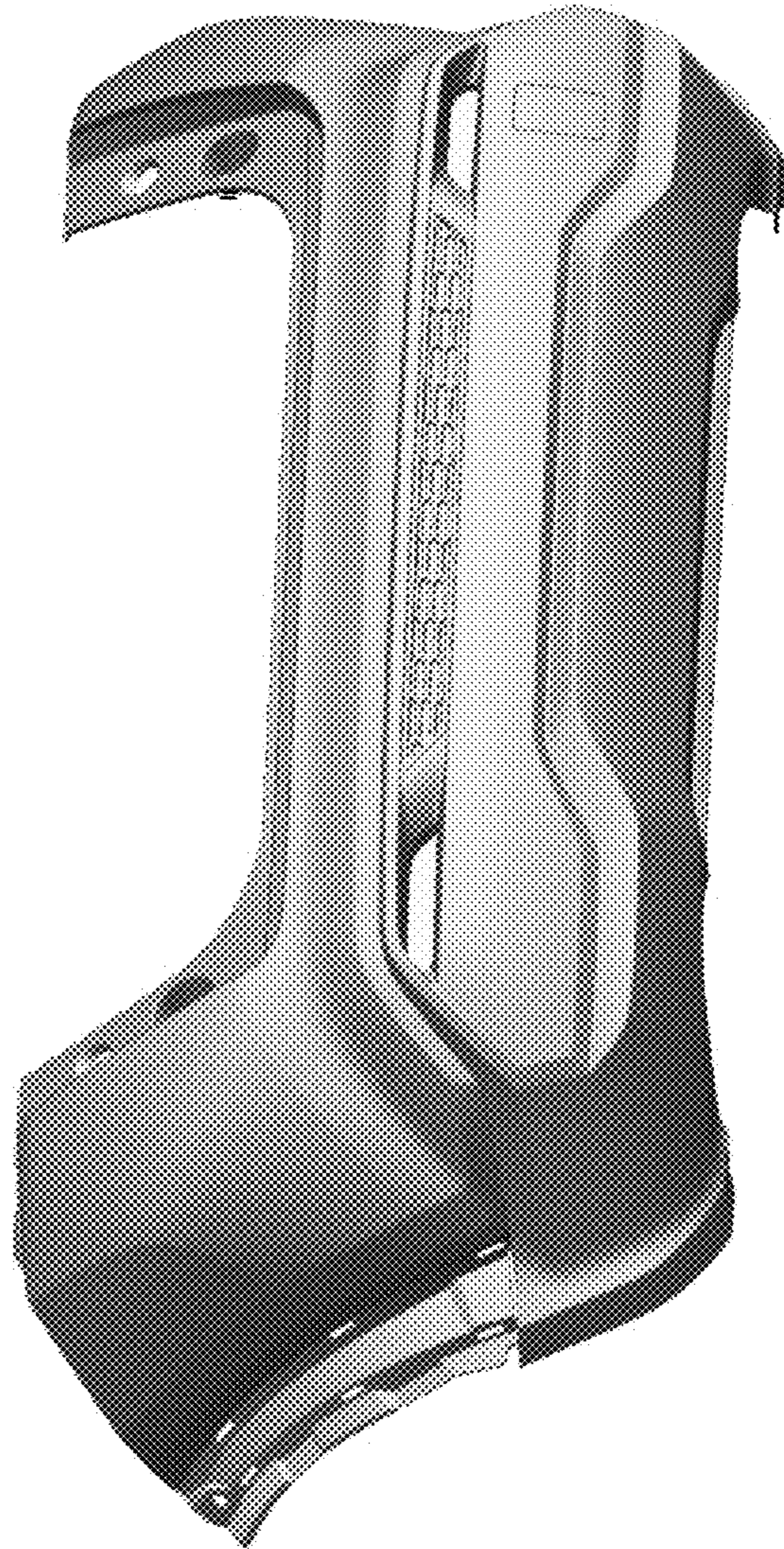


FIG. 6



FIG. 7