



US00D925411S

(12) **United States Design Patent** (10) **Patent No.:** **US D925,411 S**
Myrberg (45) **Date of Patent:** **** Jul. 20, 2021**

(54) **VEHICLE GRILLE**
(71) Applicant: **VOLVO CAR CORPORATION,**
Gothenburg (SE)
(72) Inventor: **Anders Myrberg,** Askim (SE)
(73) Assignee: **VOLVO CAR CORPORATION,**
Gothenburg (SE)
(**) Term: **15 Years**
(21) Appl. No.: **29/727,669**
(22) Filed: **Mar. 12, 2020**

D858,372 S * 9/2019 Betancourt D12/163
D863,145 S * 10/2019 Woodhouse D12/164
D866,413 S * 11/2019 Luke D12/163
D868,640 S * 12/2019 DiCanzio D12/163
D869,350 S * 12/2019 Bucher D12/163
D870,000 S * 12/2019 Joudo D12/163
D878,255 S * 3/2020 Tonello D12/163
D880,378 S * 4/2020 Lu D12/163
D887,913 S * 6/2020 Scott D12/164
D888,623 S * 6/2020 Vidojkovic D12/164
D889,325 S * 7/2020 Geoppel D12/163
D891,315 S * 7/2020 Metros D12/163
D893,360 S * 8/2020 Escobedo D12/163
D893,364 S * 8/2020 Gillam D12/164
D894,059 S * 8/2020 Mai D12/163
D902,092 S * 11/2020 Park D12/163

(Continued)

(30) **Foreign Application Priority Data**

Sep. 12, 2019 (EM) 006859922-0001

(51) **LOC (13) Cl.** **12-16**
(52) **U.S. Cl.**
USPC **D12/163**
(58) **Field of Classification Search**
USPC D12/163, 164, 165, 166, 167, 168, 169,
D12/170, 171, 172, 173, 181
CPC B60K 11/08; B62L 39/16; B60R 19/50;
B62D 25/08
See application file for complete search history.

(56) **References Cited**

U.S. PATENT DOCUMENTS

D562,196 S * 2/2008 Saito D12/163
D578,937 S * 10/2008 Hayashi D12/163
D811,953 S * 3/2018 Seol D12/163
D818,888 S * 5/2018 Koizumi D12/163
D819,506 S * 6/2018 Han D12/163
D819,511 S * 6/2018 Ishii D12/163
D824,297 S * 7/2018 Janssen D12/164
D827,509 S * 9/2018 Behmer D12/163
D844,500 S * 4/2019 Metros D12/163
D855,502 S * 8/2019 Behmer D12/163

OTHER PUBLICATIONS

“2021 Chevy Spark.” Accessed Feb. 10, 2021. Chevrolet, <https://www.chevrolet.com/cars/spark>.*

(Continued)

Primary Examiner — Brett Miller

Assistant Examiner — Suzanne E Tisdell

(74) *Attorney, Agent, or Firm* — Berenato & White, LLC

(57) **CLAIM**

The ornamental design for a vehicle grill, as shown.

DESCRIPTION

FIG. 1 is a front view of a vehicle grille showing my new design;

FIG. 2 is a right perspective view thereof;

FIG. 3 is a right rear perspective view thereof;

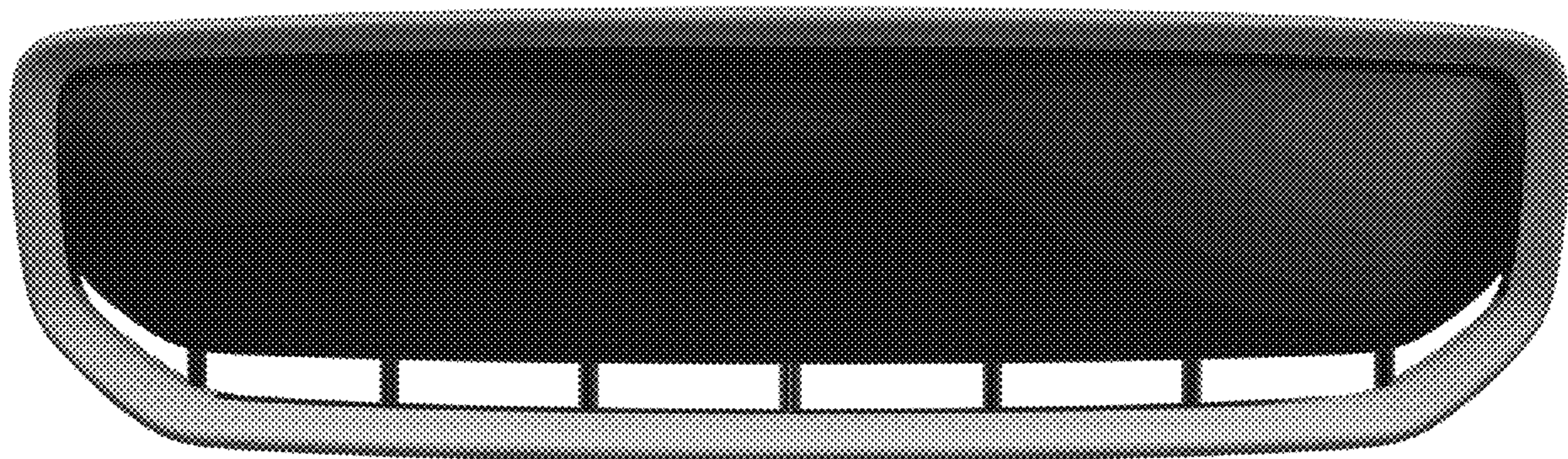
FIG. 4 is a left side view thereof;

FIG. 5 is a right side view thereof;

FIG. 6 is a top view thereof; and,

FIG. 7 is a back view thereof.

1 Claim, 7 Drawing Sheets



(56)

References Cited

U.S. PATENT DOCUMENTS

| | | | | |
|------------|---|---------|-------------------|---------|
| D903,543 S | * | 12/2020 | Myrberg | D12/163 |
| D906,190 S | * | 12/2020 | Wraith | D12/163 |
| D906,191 S | * | 12/2020 | Han | D12/163 |
| D907,538 S | * | 1/2021 | Gittin, Jr. | D12/163 |
| D908,050 S | * | 1/2021 | Gittin, Jr. | D12/163 |
| D908,551 S | * | 1/2021 | Choi | D12/163 |
| D909,260 S | * | 2/2021 | De Rudnicki | D12/163 |

OTHER PUBLICATIONS

Patrascu, Daniel. "Electric Volvo XC40 Comes with a Frunk and No Front Grille." Oct. 2, 2019. Auto Evolution, <https://www.autoevolution.com/news/electric-volvo-xc40-comes-with-a-frunk-and-no-front-grille-137976.html#>.*

* cited by examiner

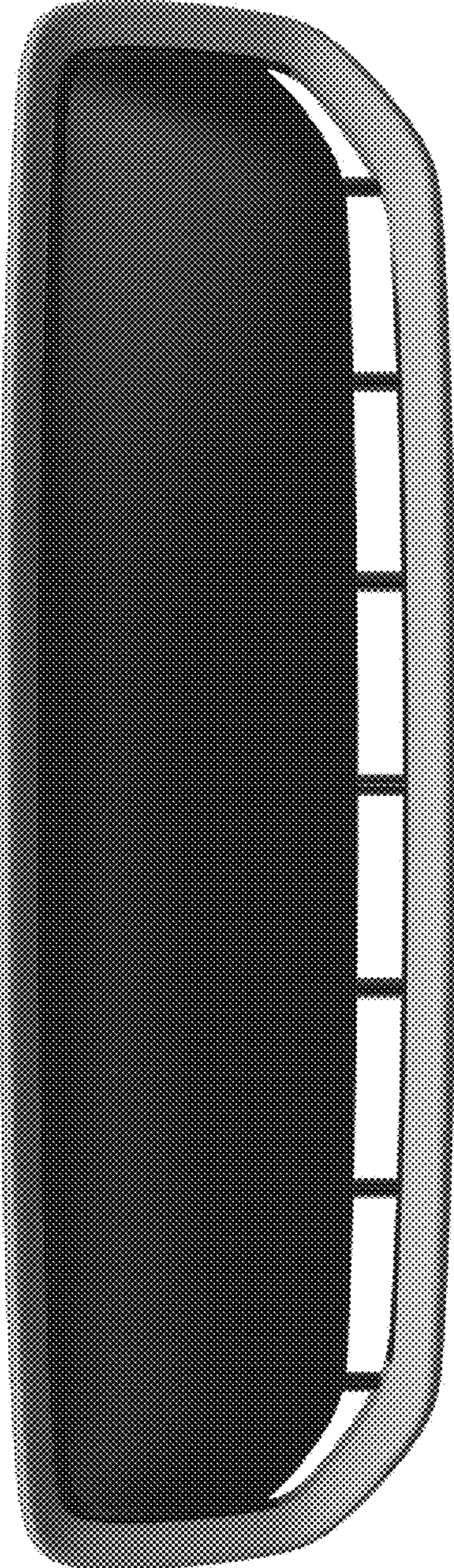


FIG. 1

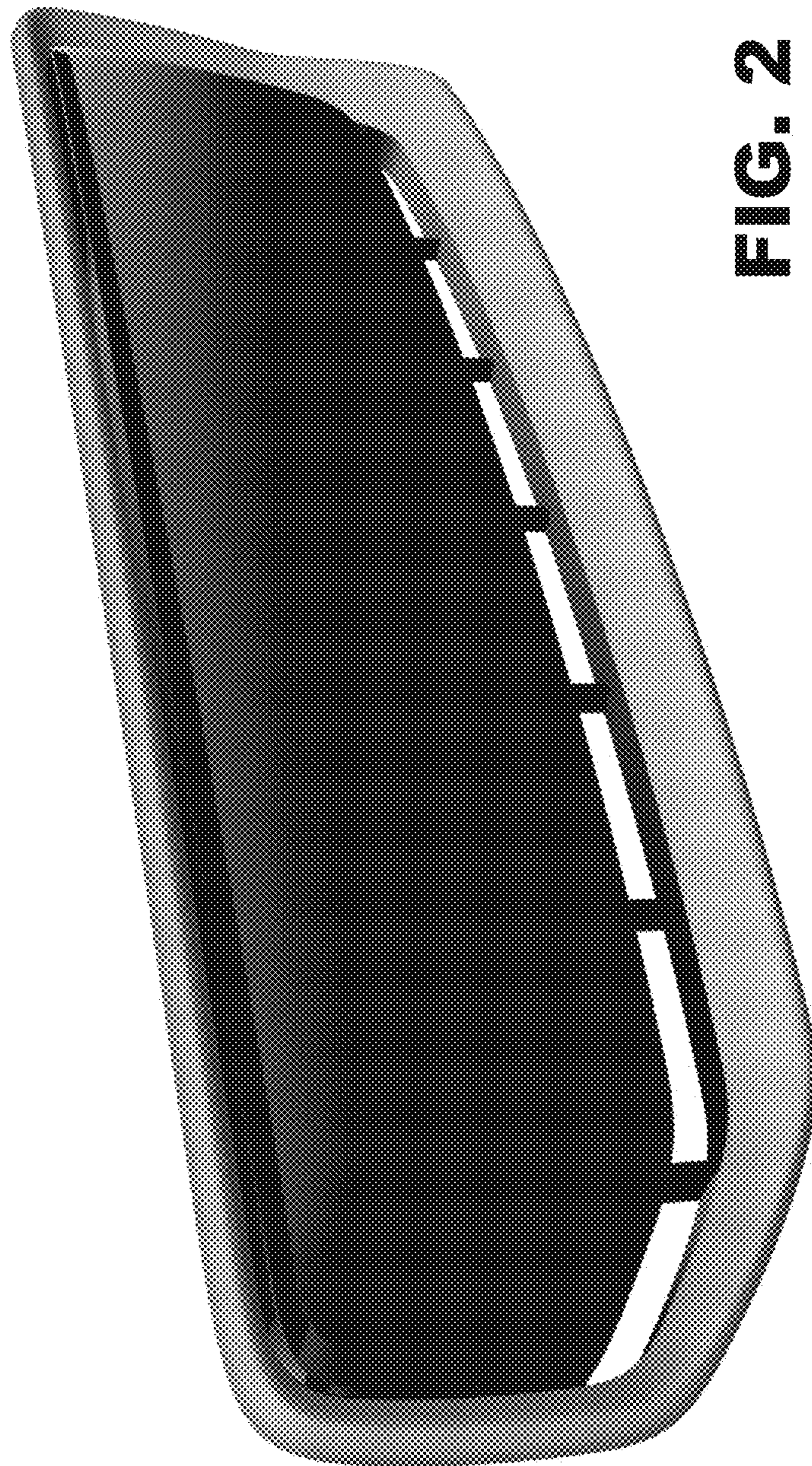


FIG. 2



FIG. 3

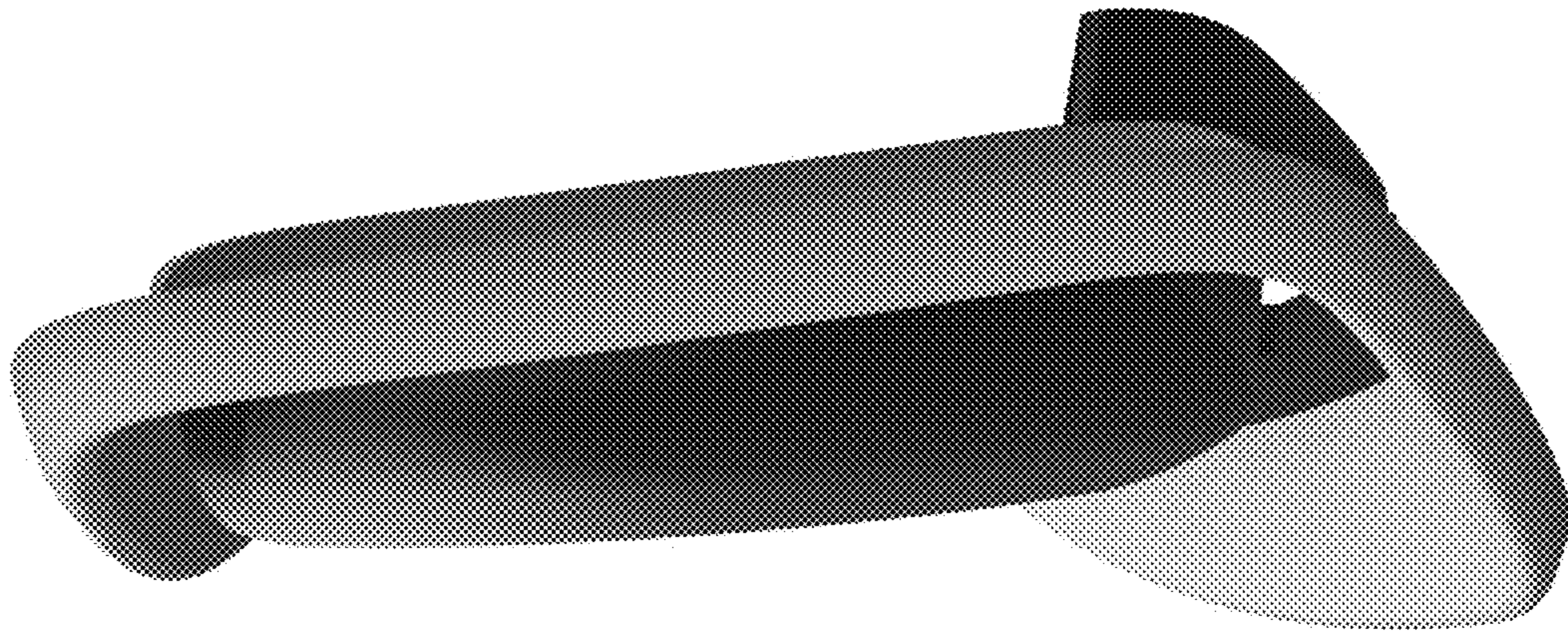
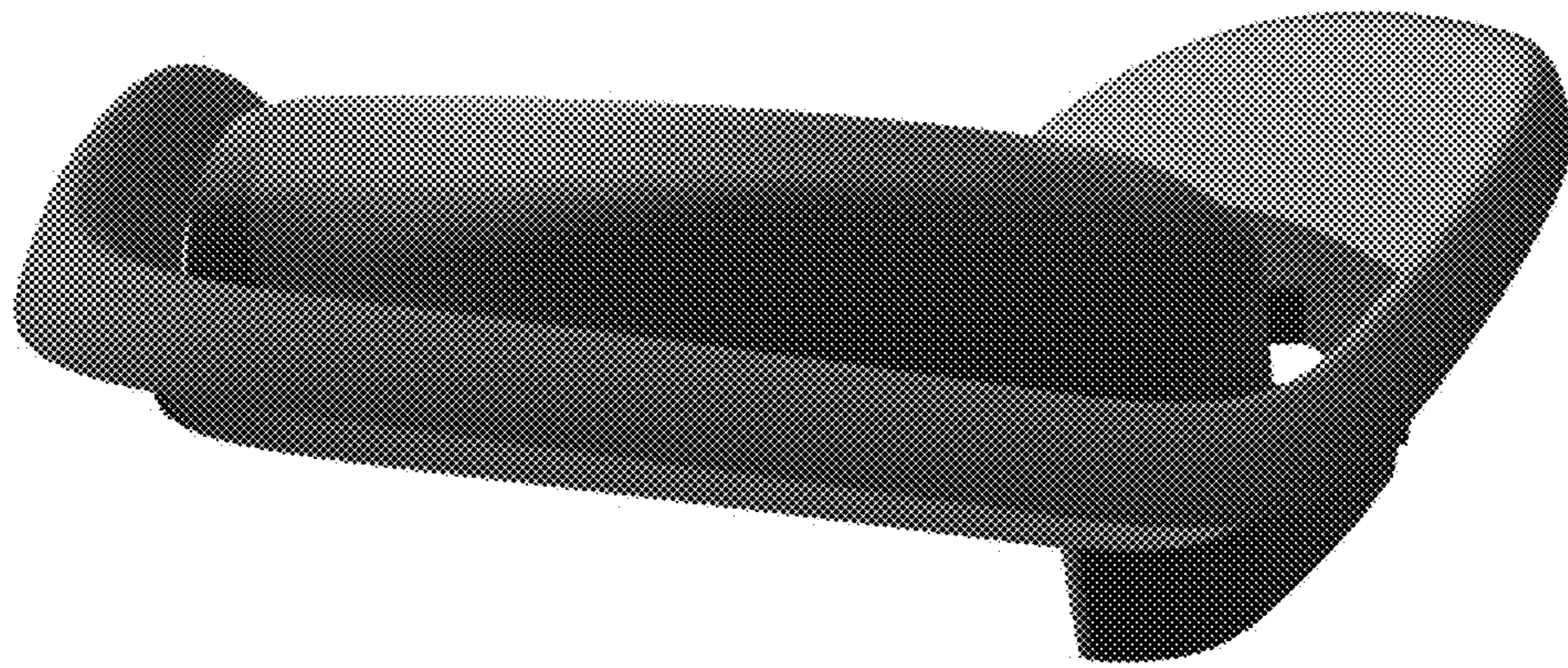


FIG. 4

FIG. 5



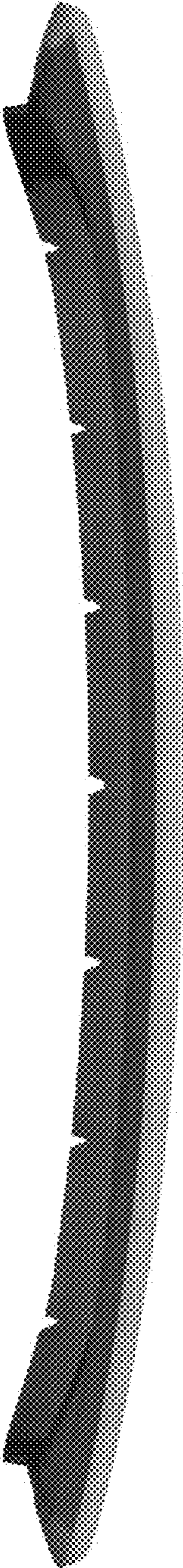


FIG. 6

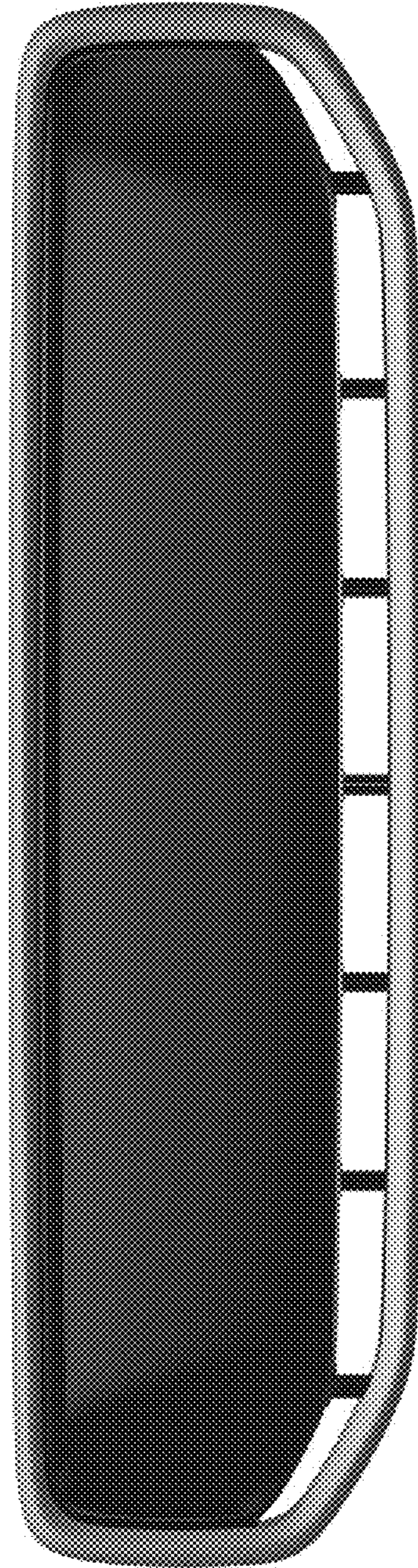


FIG. 7