



US00D925408S

(12) **United States Design Patent**
Li

(10) **Patent No.:** **US D925,408 S**

(45) **Date of Patent:** **** Jul. 20, 2021**

(54) **TRAILER BREAKAWAY SWITCH**

(71) Applicant: **Teng Li**, Zhejiang (CN)

(72) Inventor: **Teng Li**, Zhejiang (CN)

(**) Term: **15 Years**

(21) Appl. No.: **29/735,190**

(22) Filed: **May 19, 2020**

(51) **LOC (13) Cl.** **12-16**

(52) **U.S. Cl.**
USPC **D12/162**

(58) **Field of Classification Search**
USPC D12/159-162
CPC . B60D 1/60; B60D 1/065; B60D 1/00; B60D
1/06; B60D 1/36
See application file for complete search history.

(56) **References Cited**

U.S. PATENT DOCUMENTS

D867,228 S *	11/2019	DePietro	D12/162
D873,724 S *	1/2020	Borkholder	D12/162
D879,670 S *	3/2020	Borkholder	D12/162
D887,910 S *	6/2020	Noel	D12/162

D890,636 S *	7/2020	Sanborn	D12/162
D894,800 S *	9/2020	Noel	D12/162
D897,245 S *	9/2020	Borkholder	D12/162
D897,246 S *	9/2020	Giddens	D12/162
D898,628 S *	10/2020	Sagen	D12/162
D907,537 S *	1/2021	Goodner	D12/162
D909,922 S *	2/2021	Siegel	D12/162

* cited by examiner

Primary Examiner — Katrina A Betton

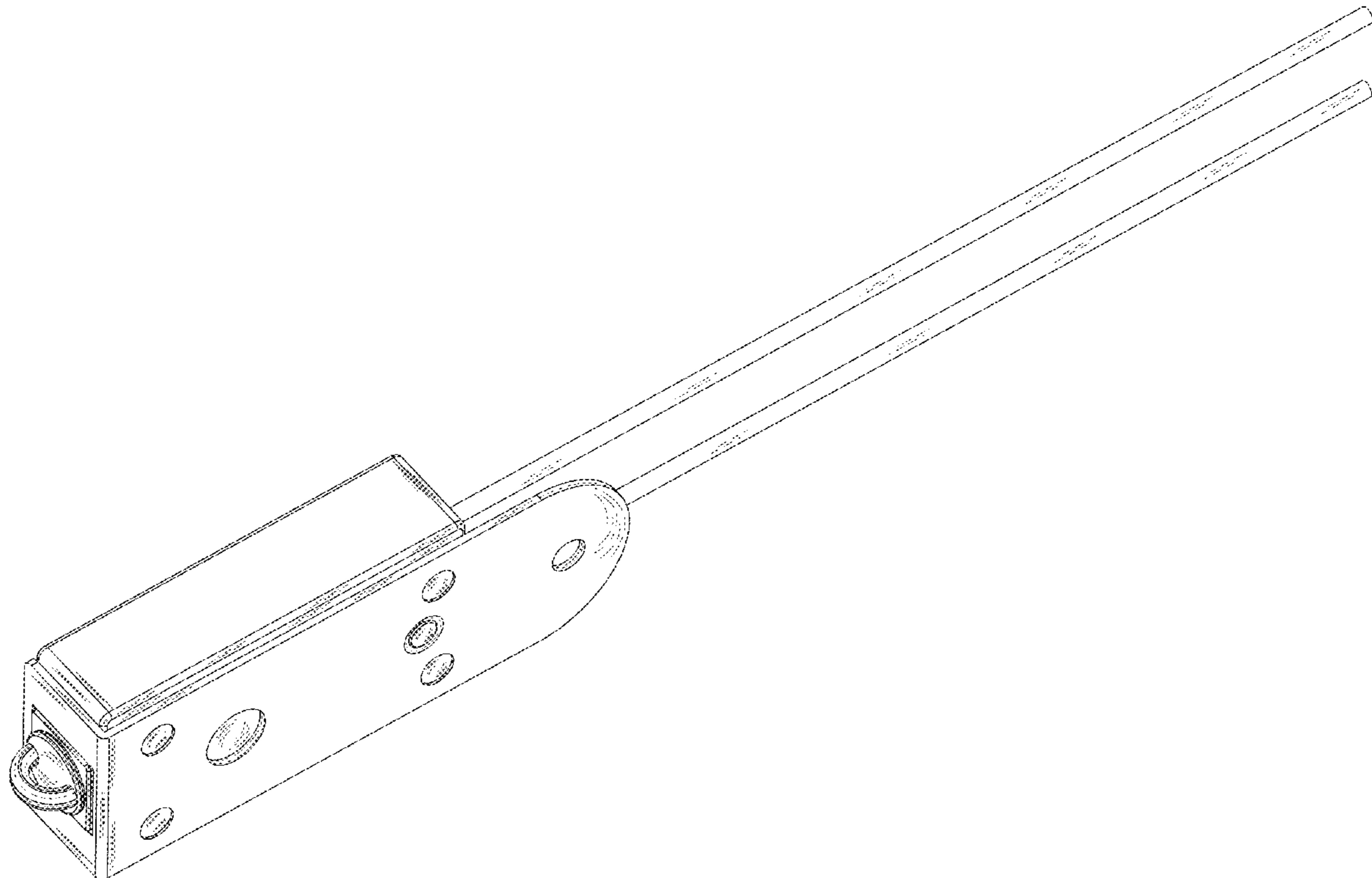
(57) **CLAIM**

The ornamental design for a trailer breakaway switch, as shown and described.

DESCRIPTION

FIG. 1 is a front elevational view of a trailer breakaway switch showing my new design;
FIG. 2 is a rear elevational view thereof;
FIG. 3 is a left side view thereof;
FIG. 4 is a right side view thereof;
FIG. 5 is a top plan view thereof;
FIG. 6 is a bottom plan view thereof;
FIG. 7 is a perspective view from front side thereof;
FIG. 8 is a perspective view from back side thereof; and,
FIG. 9 is a perspective view from front side thereof.

1 Claim, 9 Drawing Sheets



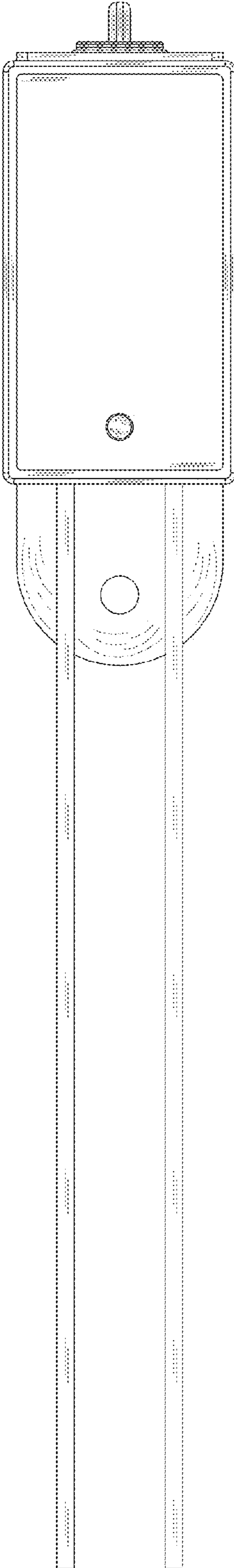


Fig. 1

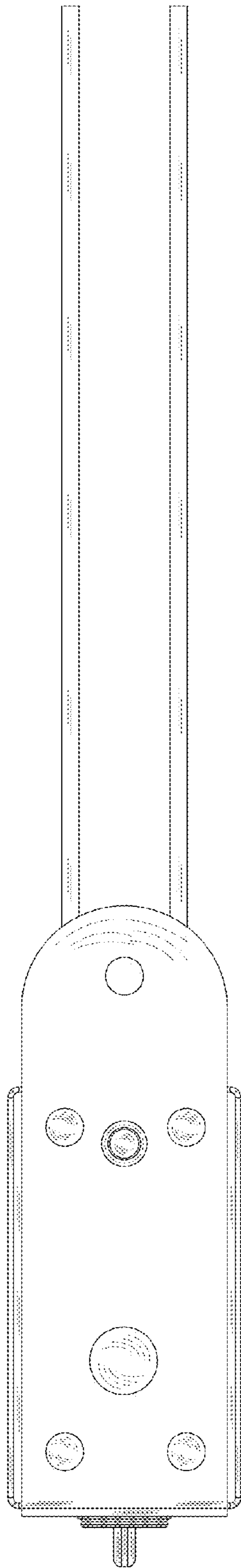


Fig. 2

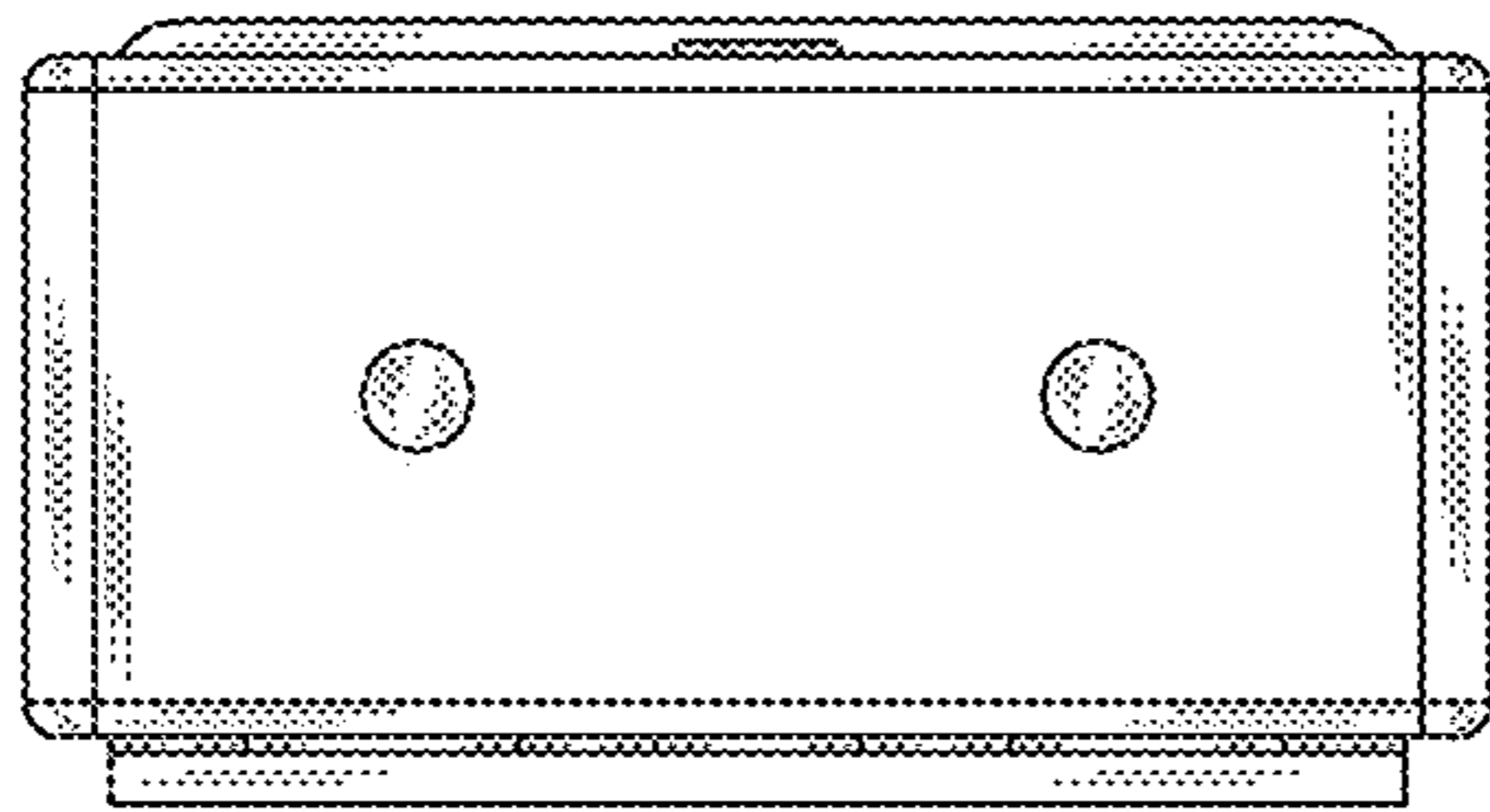


Fig. 3

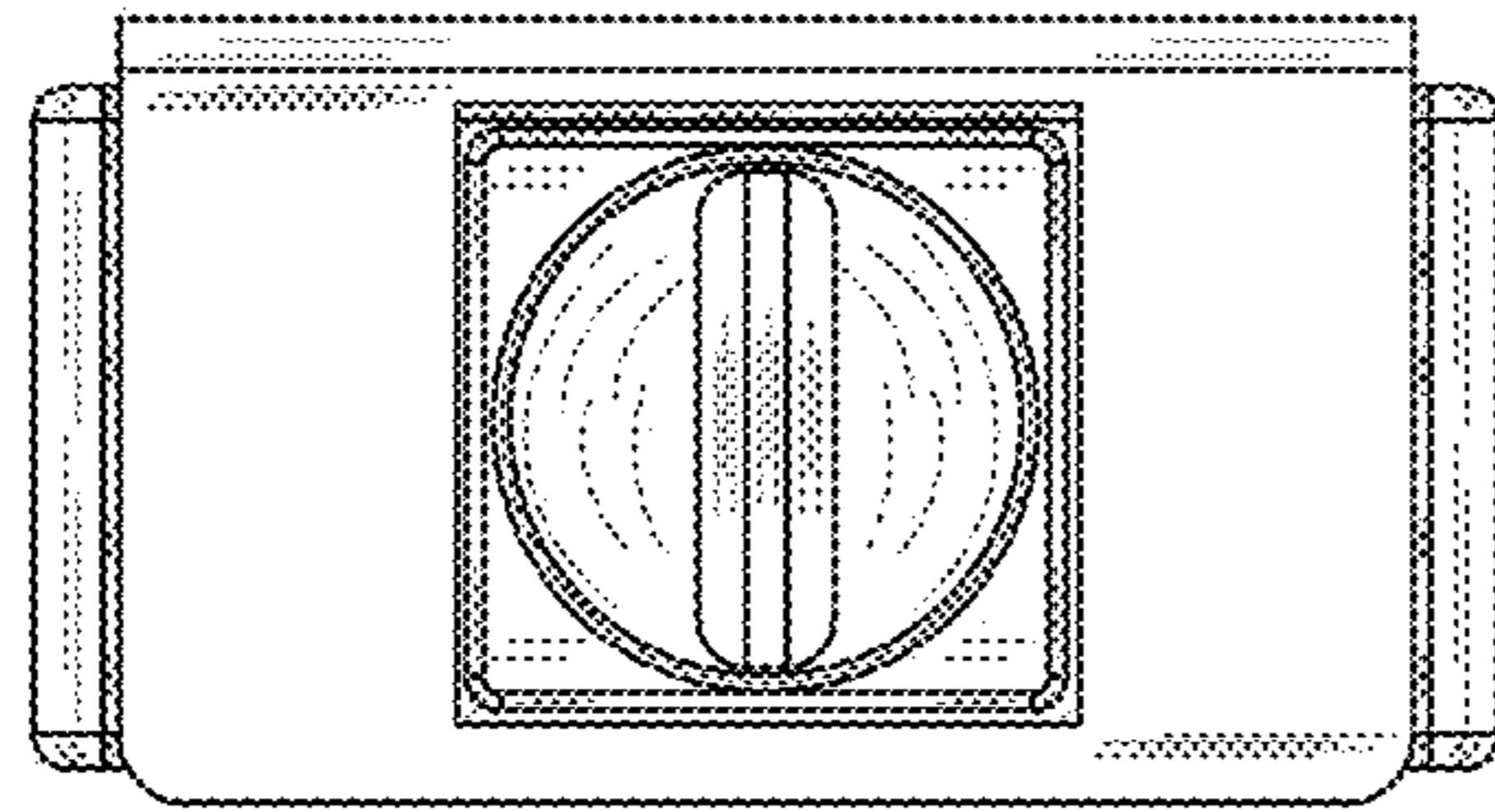


Fig. 4

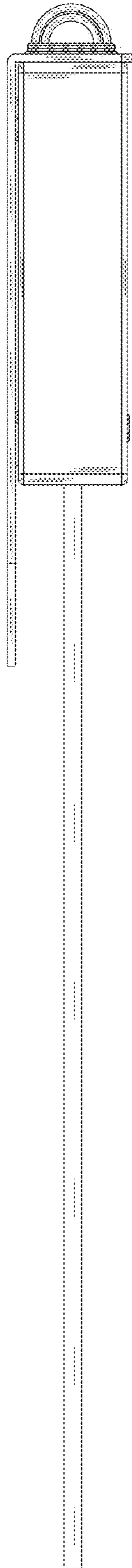


Fig. 5

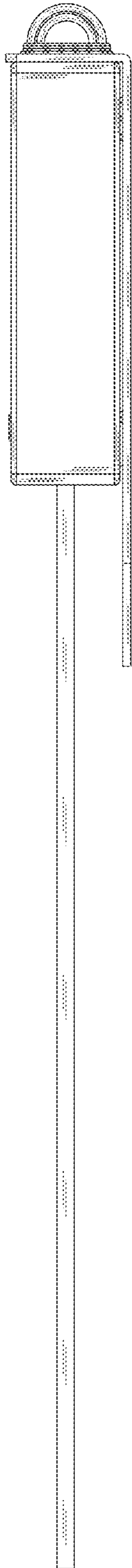


Fig. 6

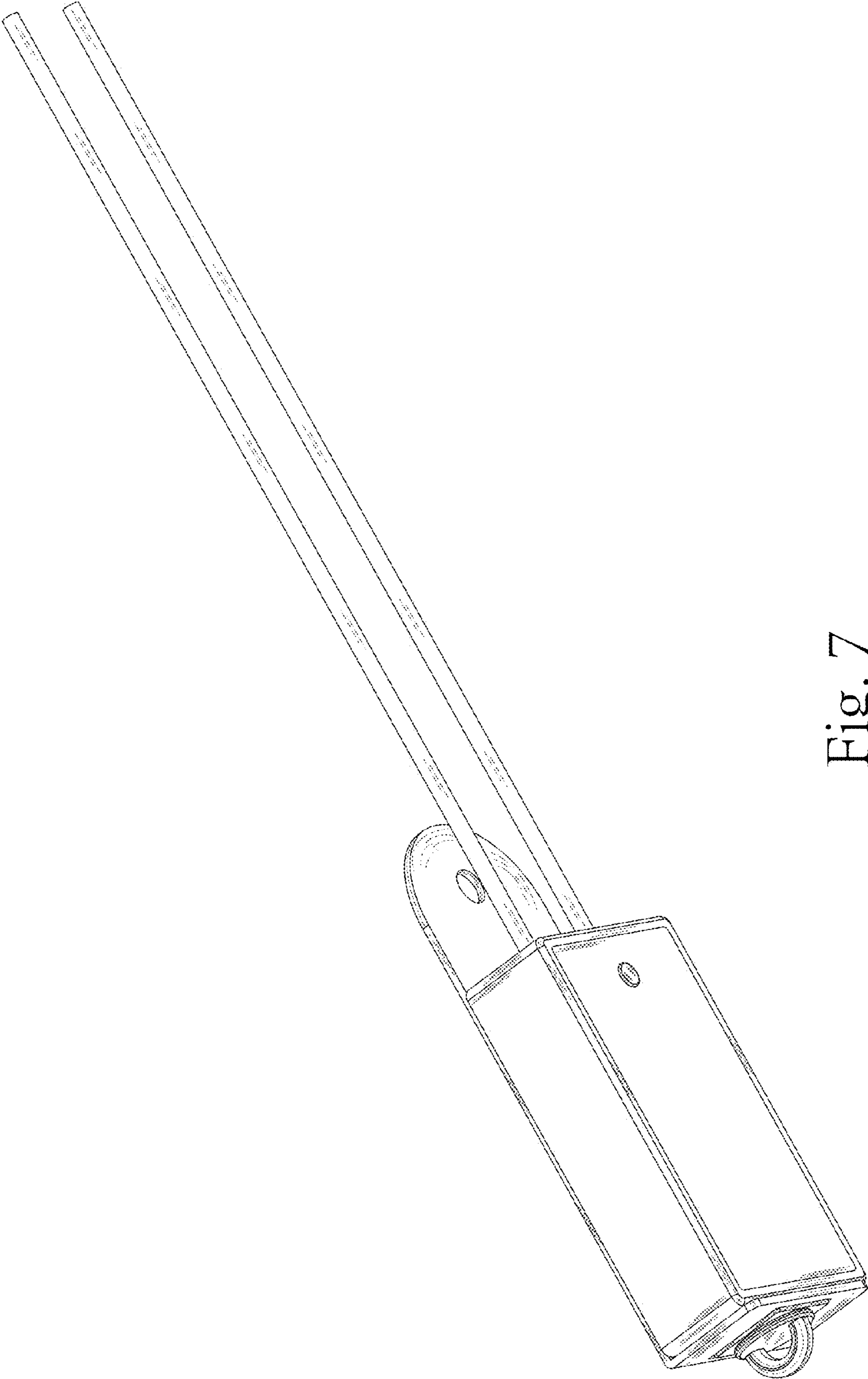


Fig. 7

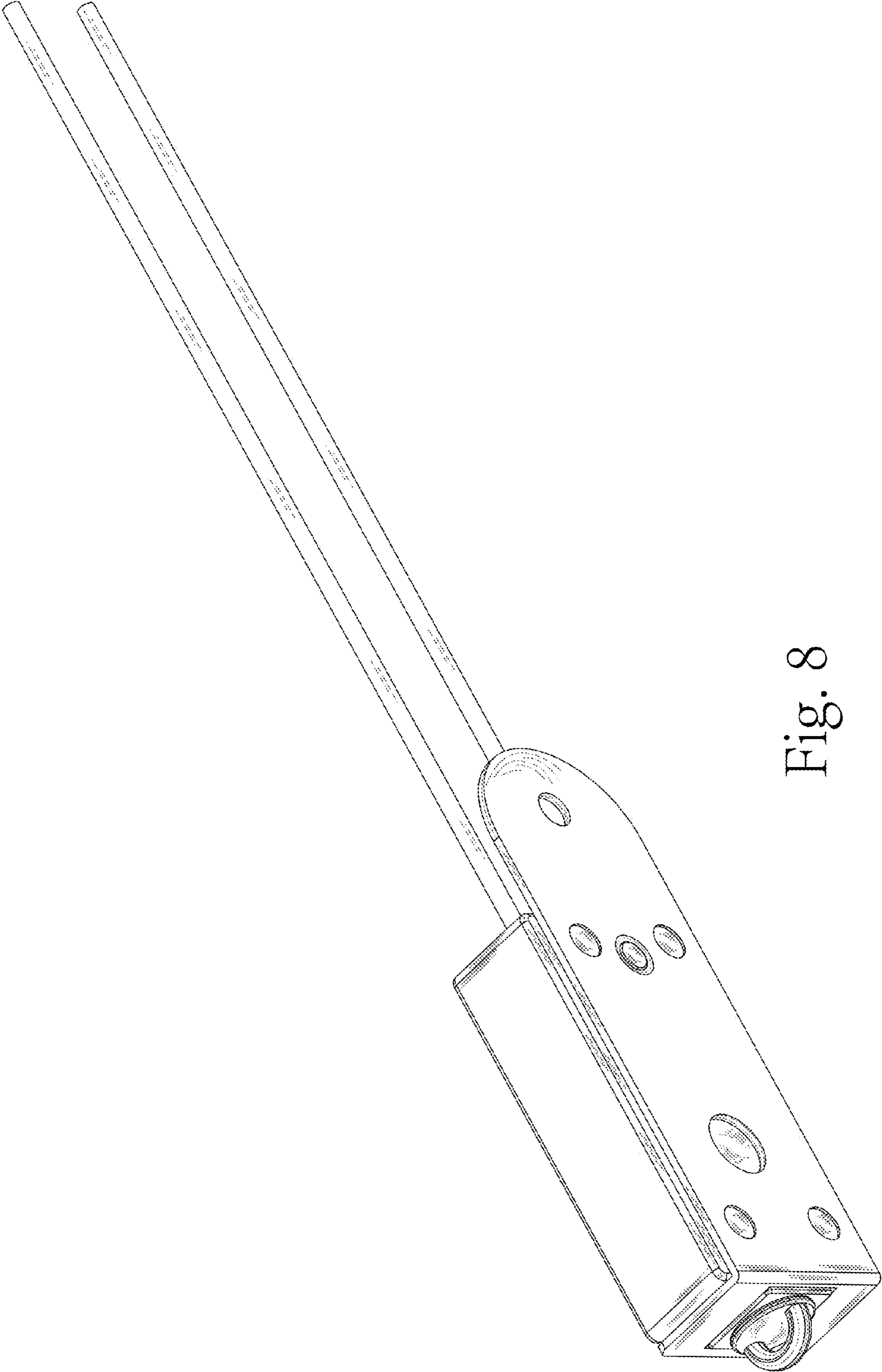


Fig. 8

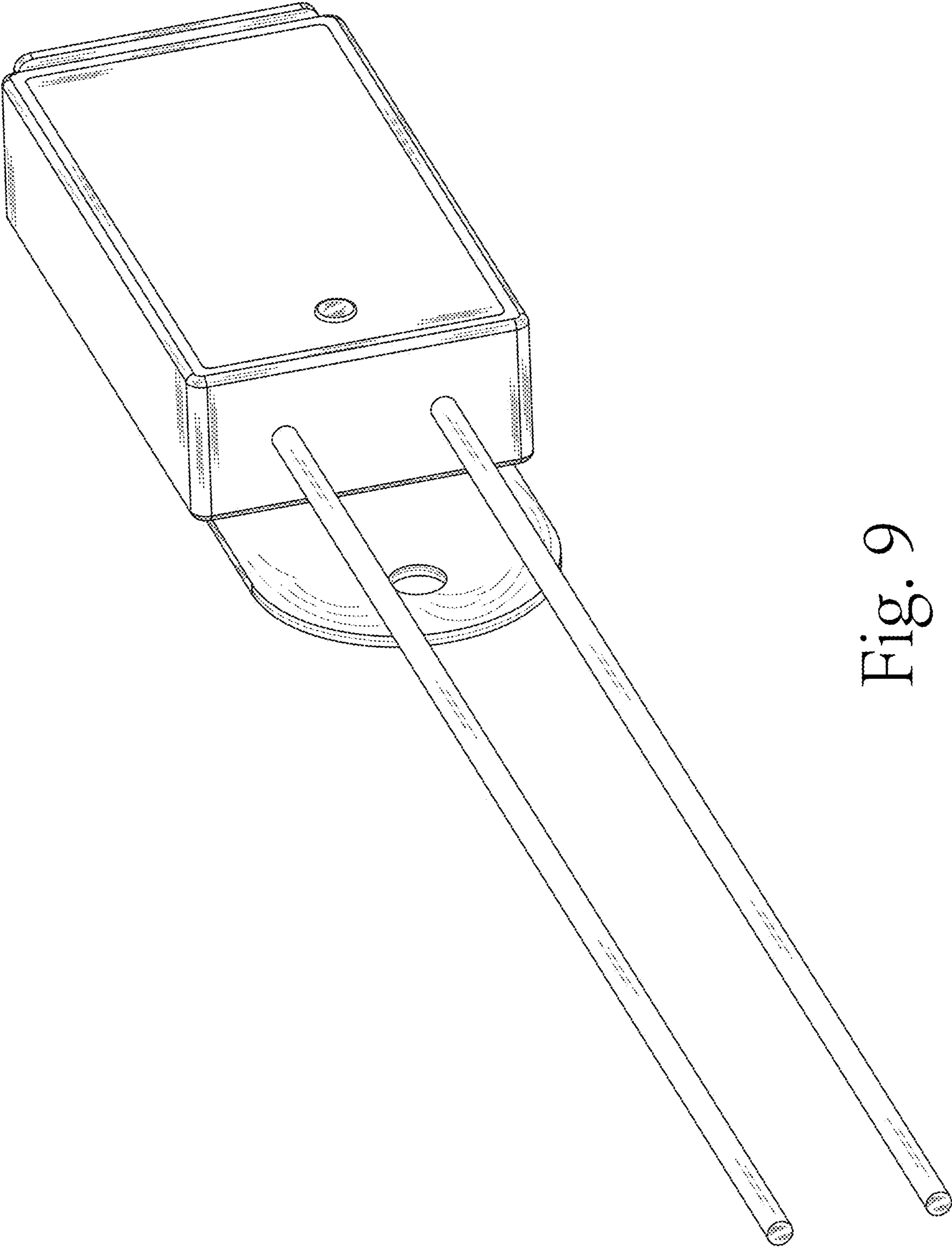


Fig. 9