



US00D925407S

(12) **United States Design Patent** (10) **Patent No.:** **US D925,407 S**
Lindloff (45) **Date of Patent:** **** Jul. 20, 2021**

(54) **MOTORCYCLE SADDLEBAG LIGHT HOUSING**

(71) Applicant: **Ciro, LLC**, Hudson, WI (US)
(72) Inventor: **Christopher D. Lindloff**, New Richmond, WI (US)
(73) Assignee: **CIRO CORPORATION**, Hudson, WI (US)
(**) Term: **15 Years**
(21) Appl. No.: **29/726,778**

(22) Filed: **Mar. 5, 2020**
(51) **LOC (13) Cl.** **12-11**
(52) **U.S. Cl.**
USPC **D12/114; D26/28**
(58) **Field of Classification Search**
USPC D12/114, 110, 126, 407, 409, 410;
D26/28-36; D3/231, 273
CPC B62J 9/00; B62J 9/001; B62J 9/006; B62J
7/04
See application file for complete search history.

(56) **References Cited**

U.S. PATENT DOCUMENTS

D461,761 S *	8/2002	Monson	D12/410
D506,968 S *	7/2005	Berardino	D12/410
D550,146 S *	9/2007	Hanagan	D12/410
D575,201 S *	8/2008	Stahel, Jr.	D12/114
D585,358 S *	1/2009	Hanagan	D12/410
D675,557 S *	2/2013	Harris	D12/410
D696,180 S *	12/2013	Boyd	D12/410
D722,945 S *	2/2015	Richie	D12/407
D901,044 S *	11/2020	Lindloff	D26/28
D906,185 S *	12/2020	Madden	D12/114
D913,859 S *	3/2021	Madden	D12/114

OTHER PUBLICATIONS

“Machete™ Saddlebag LED Lights” *Ciro3d.*, posted date Aug. 11, 2019 [online], [retrieved on May 20, 2021], Retrieved from the Internet <<https://ciro3d.com/collections/saddlebag-accessories/street-glide>> (Year: 2019).*
“Machete Saddlebag LED Lights” *FastlightsLEDS.*, posted date Nov. 7, 2020 [online], [retrieved on May 20, 2021], Retrieved from the Internet <<https://fastlightsleds.com/product/machete-saddlebag-led-lights/>> (Year: 2020).*
“Giro 3D Machete Regular Bag LED Lights for Harley” *Law Abiding Biker.*, posted date May 17, 2019 [online], [retrieved on May 20, 2021], Retrieved from the Internet <<https://shop.lawabidingbiker.com/products/ciro-3d-machete-saddlebag-led-lights?variant=17231453716523>> (Year: 2019).*

(Continued)

Primary Examiner — Darlington Ly
Assistant Examiner — Nasim Abdulaziz Ali
(74) *Attorney, Agent, or Firm* — Dicke, Billig & Czaja, PLLC

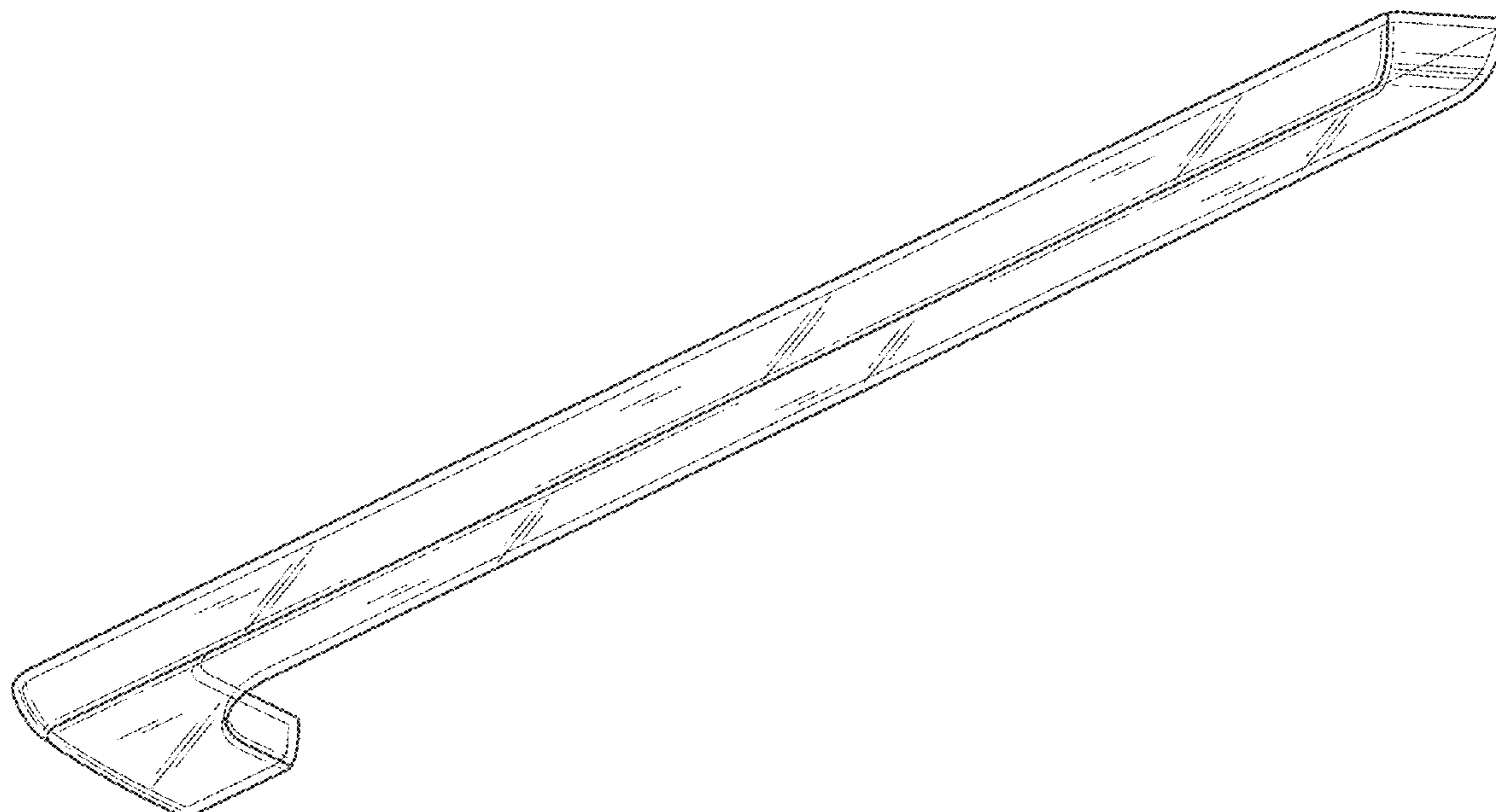
(57) **CLAIM**

The ornamental design for a motorcycle saddlebag light housing, as shown and described.

DESCRIPTION

FIG. 1 is a perspective view of a motorcycle saddlebag light housing embodying my new design;
FIG. 2 is a front elevation view thereof;
FIG. 3 is a rear elevation view thereof;
FIG. 4 is a top plan view thereof;
FIG. 5 is a bottom plan view thereof;
FIG. 6 is a right side elevation view thereof; and,
FIG. 7 is a left side elevation view thereof.
The bottom surface shown in broken lines form no part of the claimed design.

1 Claim, 7 Drawing Sheets



(56)

References Cited

OTHER PUBLICATIONS

“CIRO Machete Extended Bag” RickRak., posted date Aug. 25, 2019 [online], [retrieved on May 20, 2021], Retrieved from the Internet <https://www.amazon.ca/Machete-Extended-2015-2020-Davidson-extended/dp/B07WNY5F1Y/ref=sr_1_26?dchild=1&keywords=Machete+Saddlebag+LED&qid=1621605570&s=automotive&sr=1-26> (Year: 2019).*

* cited by examiner

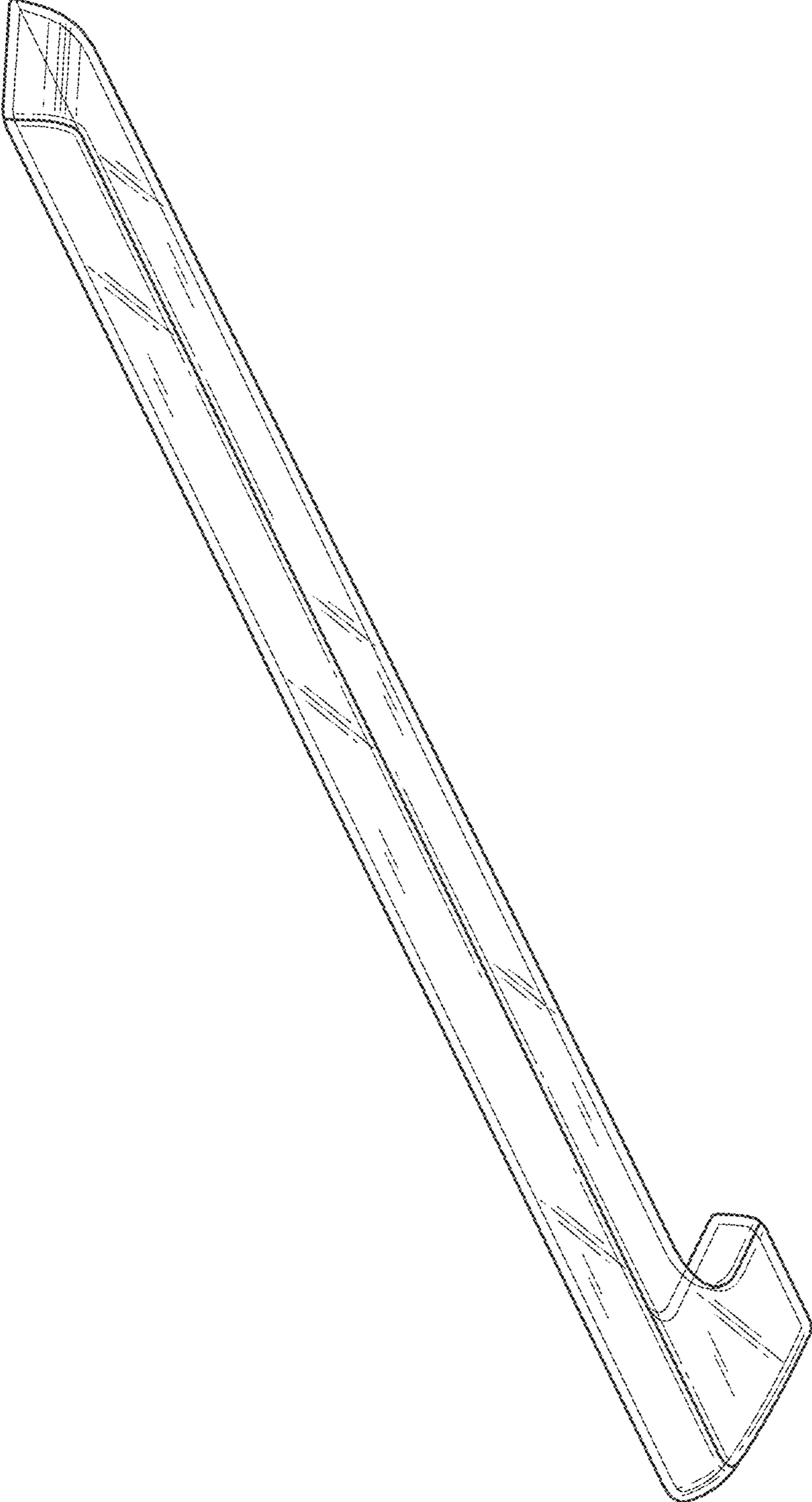


FIG. 1



FIG. 2

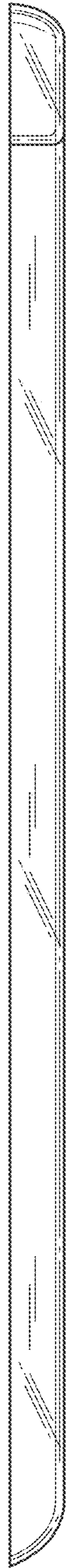


FIG. 3

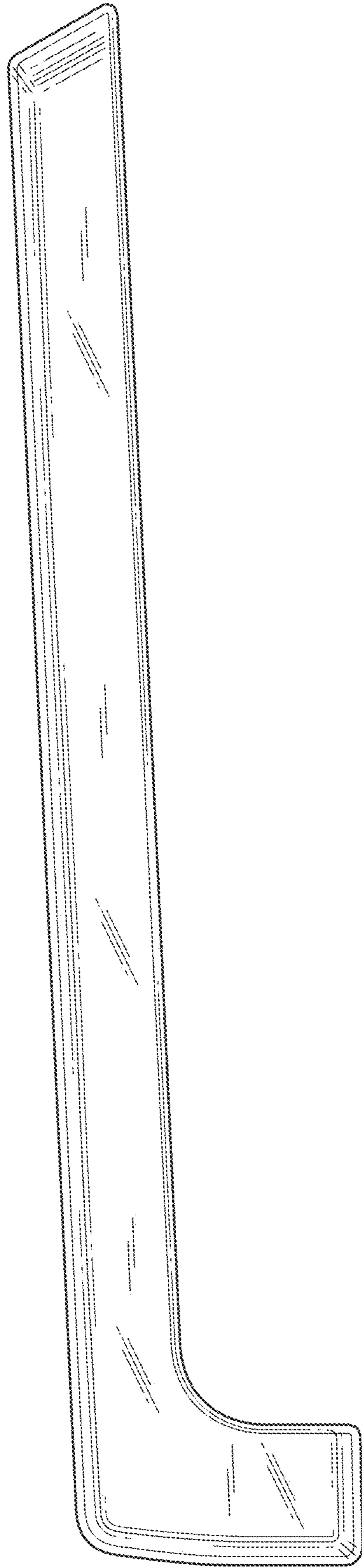


FIG. 4

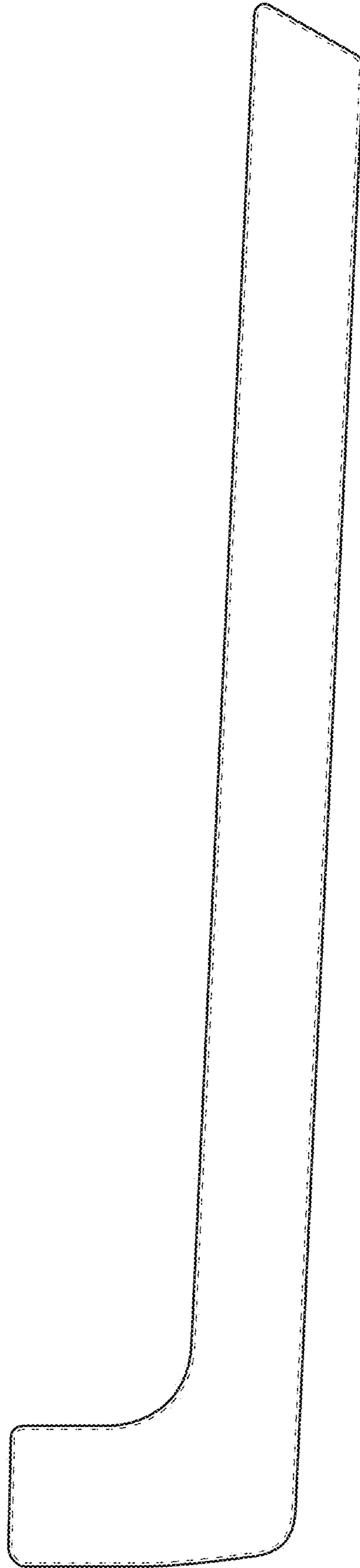


FIG. 5



FIG. 6



FIG. 7