



US00D925404S

(12) **United States Design Patent**
Lin

(10) **Patent No.:** **US D925,404 S**
(45) **Date of Patent:** **** Jul. 20, 2021**

- (54) **ELECTRIC BICYCLE**
 - (71) Applicant: **Guangzhou Myatu Pedelec Technology Co., Ltd, Guangdong (CN)**
 - (72) Inventor: **Guoai Lin, Guangdong (CN)**
 - (73) Assignee: **Guangzhou Myatu Pedelec Technology Co., Ltd, Guangzhou (CN)**
 - (**) Term: **15 Years**
 - (21) Appl. No.: **29/714,137**
 - (22) Filed: **Nov. 21, 2019**
 - (51) **LOC (13) Cl.** **12-11**
 - (52) **U.S. Cl.**
USPC **D12/111**
 - (58) **Field of Classification Search**
USPC D12/107, 110, 111, 117
CPC . B62K 3/00; B62K 3/005; B62K 9/00; B62K 19/00; B62K 19/02; B62K 19/04; B62K 19/06; B62K 19/16
- See application file for complete search history.

- D900,680 S * 11/2020 Chen D12/111
- D902,788 S * 11/2020 Song D12/111
- D903,532 S * 12/2020 Ma D12/111

OTHER PUBLICATIONS

“Sinch Foldable Ebike” Aventon., posted date Jun. 19, 2020 [online], [retrieved on Mar. 8, 2021]. Retrieved from the Internet <URL: <https://tinyurl.com/tbmssxkw>> (Year: 2020).*

“14” aluminum alloy frame Adult Foldable Electric Bicycle” Global Sources., posted date Jan. 22, 2016 [online], [retrieved on Mar. 8, 2021]. Retrieved from the Internet <URL: <https://www.globalsources.com/Electric-bike/buy-bicycles-1174634155p.htm#1174634155>> (Year: 2016).*

“14inch Folding Electric Bike” Myatu Moped Tech., posted date Nov. 4, 2020 [online], [retrieved on Mar. 8, 2021]. Retrieved from the Internet <URL: <https://www.myatugroup.com/14inch-folding-electric-bike/58467357.html>> (Year: 2020).*

* cited by examiner

Primary Examiner — Darlington Ly
Assistant Examiner — Nasim Abdulaziz Ali

(56) **References Cited**

U.S. PATENT DOCUMENTS

- D487,234 S * 3/2004 Chen D12/111
- D498,438 S * 11/2004 Ying D12/111
- D614,084 S * 4/2010 Tanaka D12/111
- D620,401 S * 7/2010 Haller D12/111
- D621,302 S * 8/2010 Tanaka D12/111
- D650,724 S * 12/2011 Chiang D12/111
- D694,156 S * 11/2013 Taipalus D12/111
- D727,214 S * 4/2015 Yang D12/111
- D727,215 S * 4/2015 Yang D12/111
- D774,972 S * 12/2016 Lambri D12/111
- D833,333 S * 11/2018 Yu D12/111
- D833,916 S * 11/2018 Yu D12/111
- D843,269 S * 3/2019 Shi D12/111
- D847,032 S * 4/2019 Yan D12/111
- D847,033 S * 4/2019 Yan D12/111
- D863,114 S * 10/2019 Hu D12/111

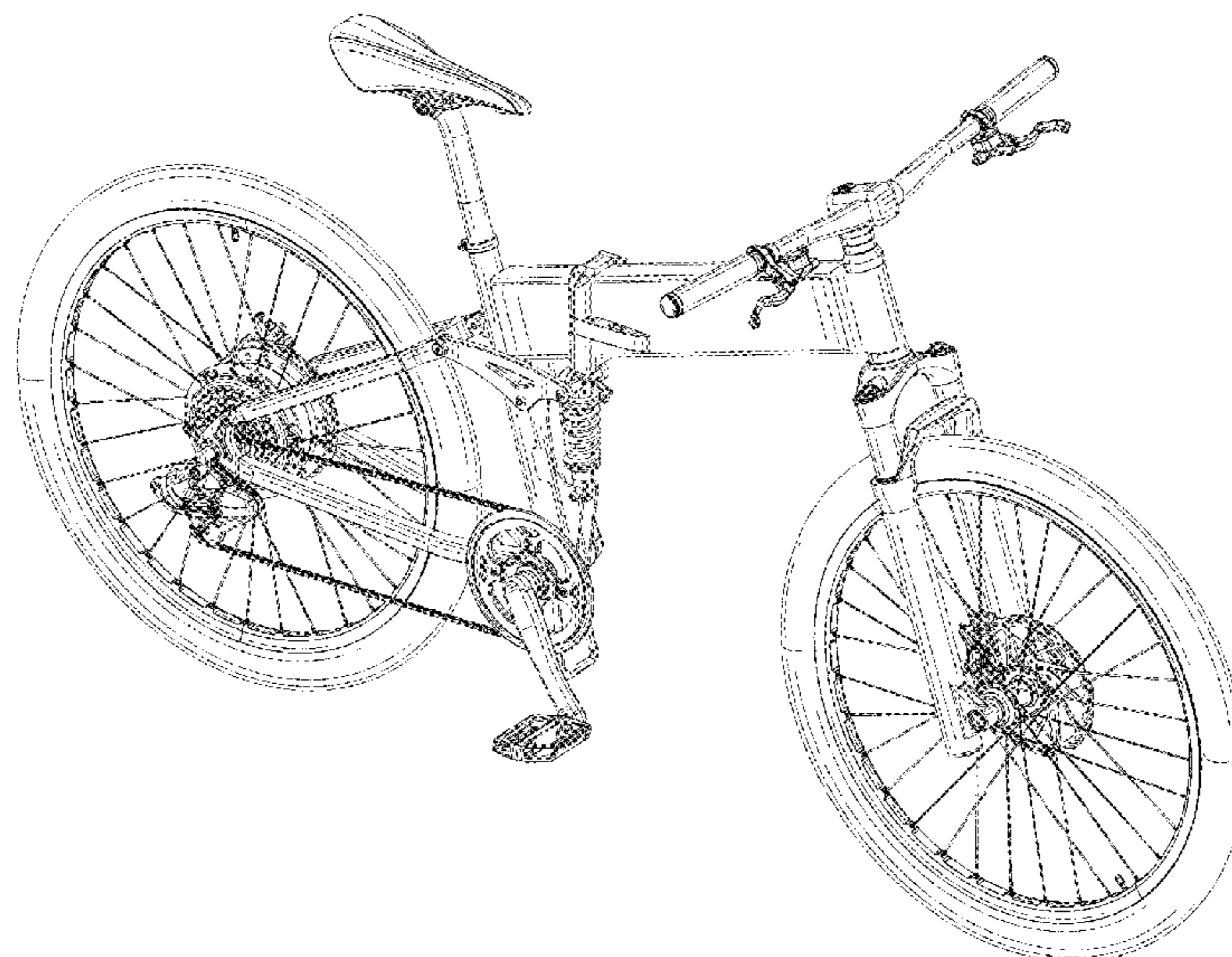
(57) **CLAIM**

The ornamental design for an electric bicycle, as shown and described.

DESCRIPTION

FIG. 1 is a front and right side perspective view of an electric bicycle embodying my new design;
FIG. 2 is a front and left side perspective view thereof;
FIG. 3 is a right side elevation view thereof;
FIG. 4 is a left side elevation view thereof;
FIG. 5 is a front elevation view thereof;
FIG. 6 is a rear elevation view thereof;
FIG. 7 is a top plan view thereof; and,
FIG. 8 is a bottom plan view thereof.

1 Claim, 8 Drawing Sheets



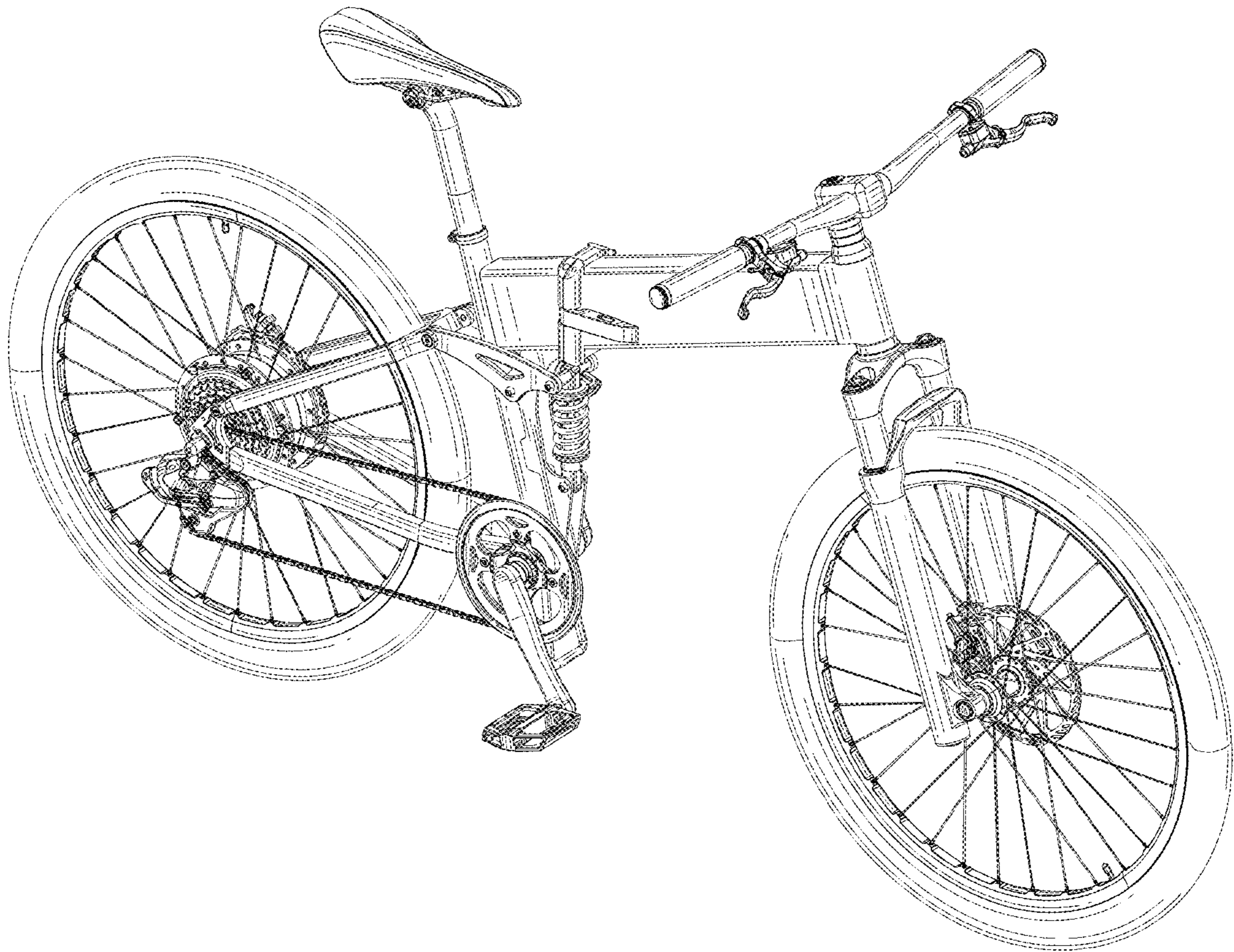


FIG. 1



FIG. 2

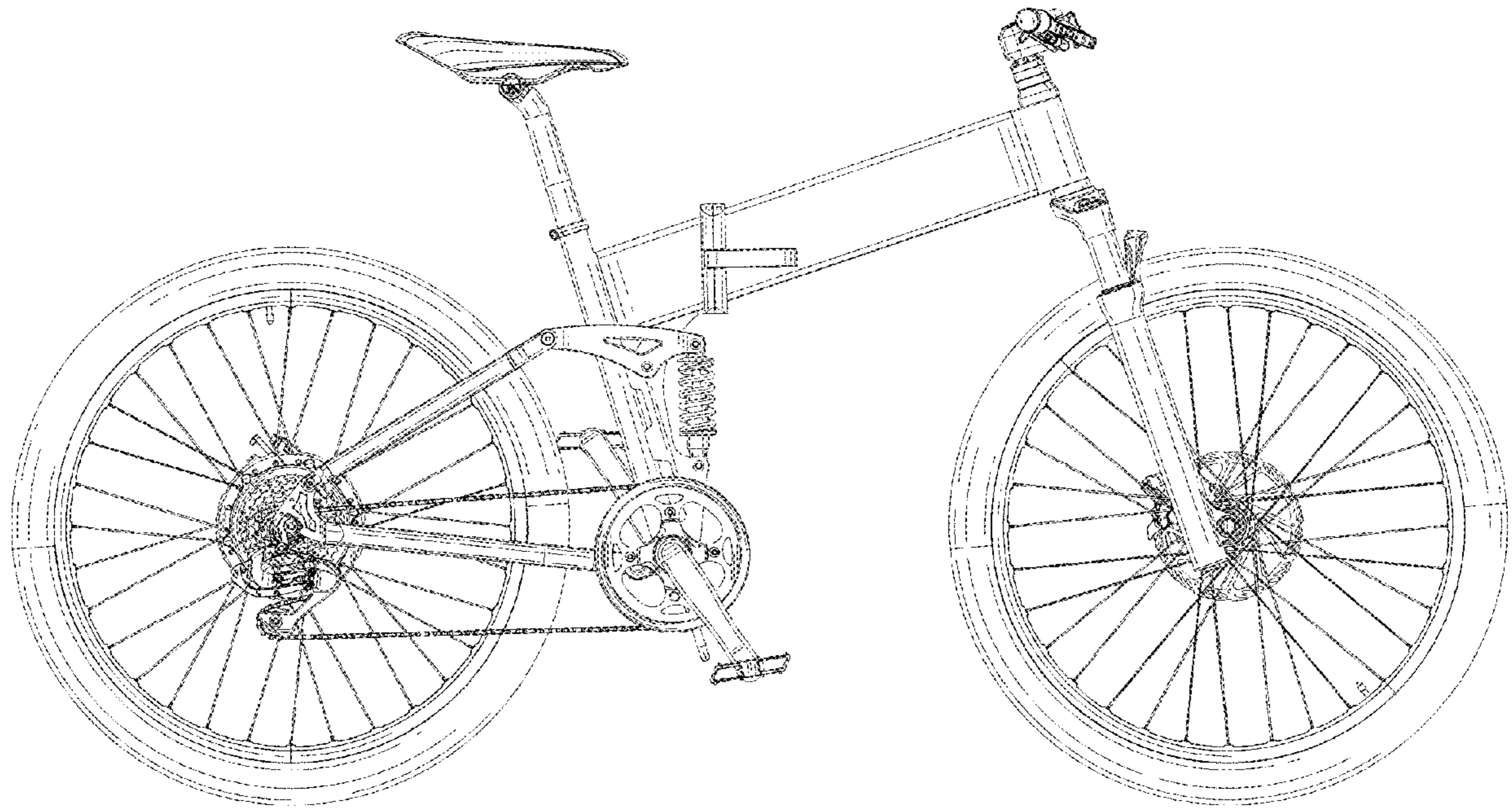


FIG. 3

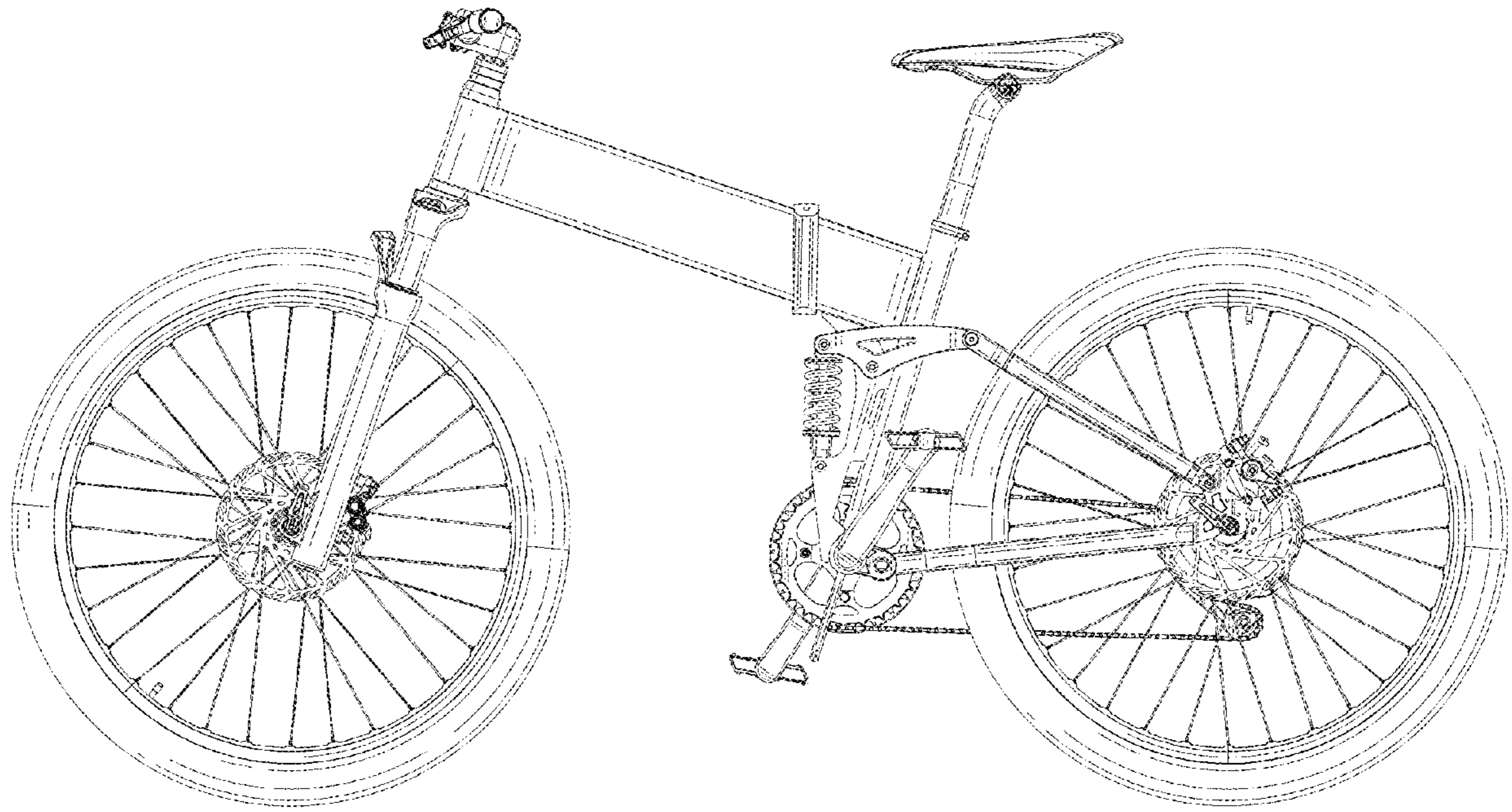


FIG. 4

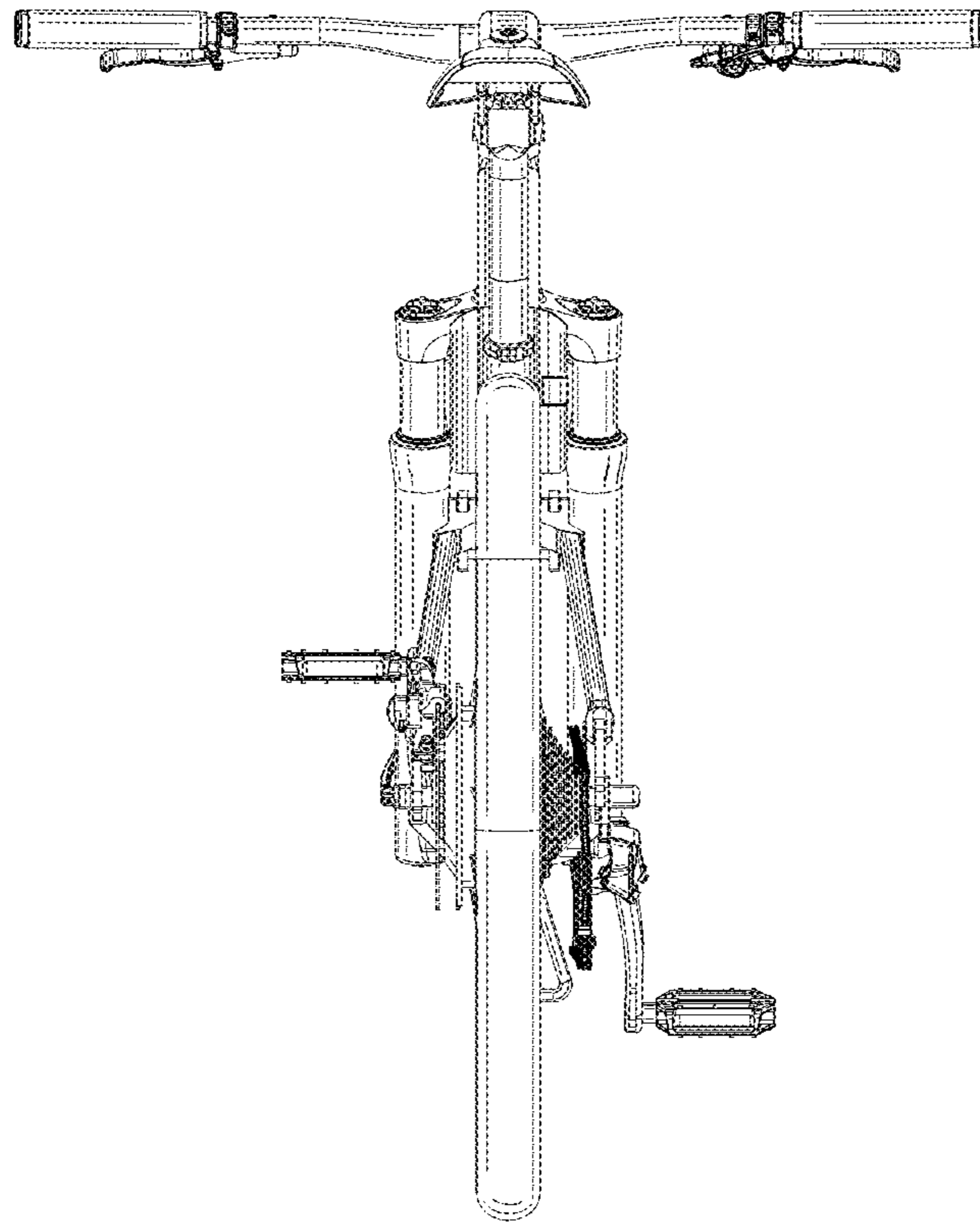


FIG. 5

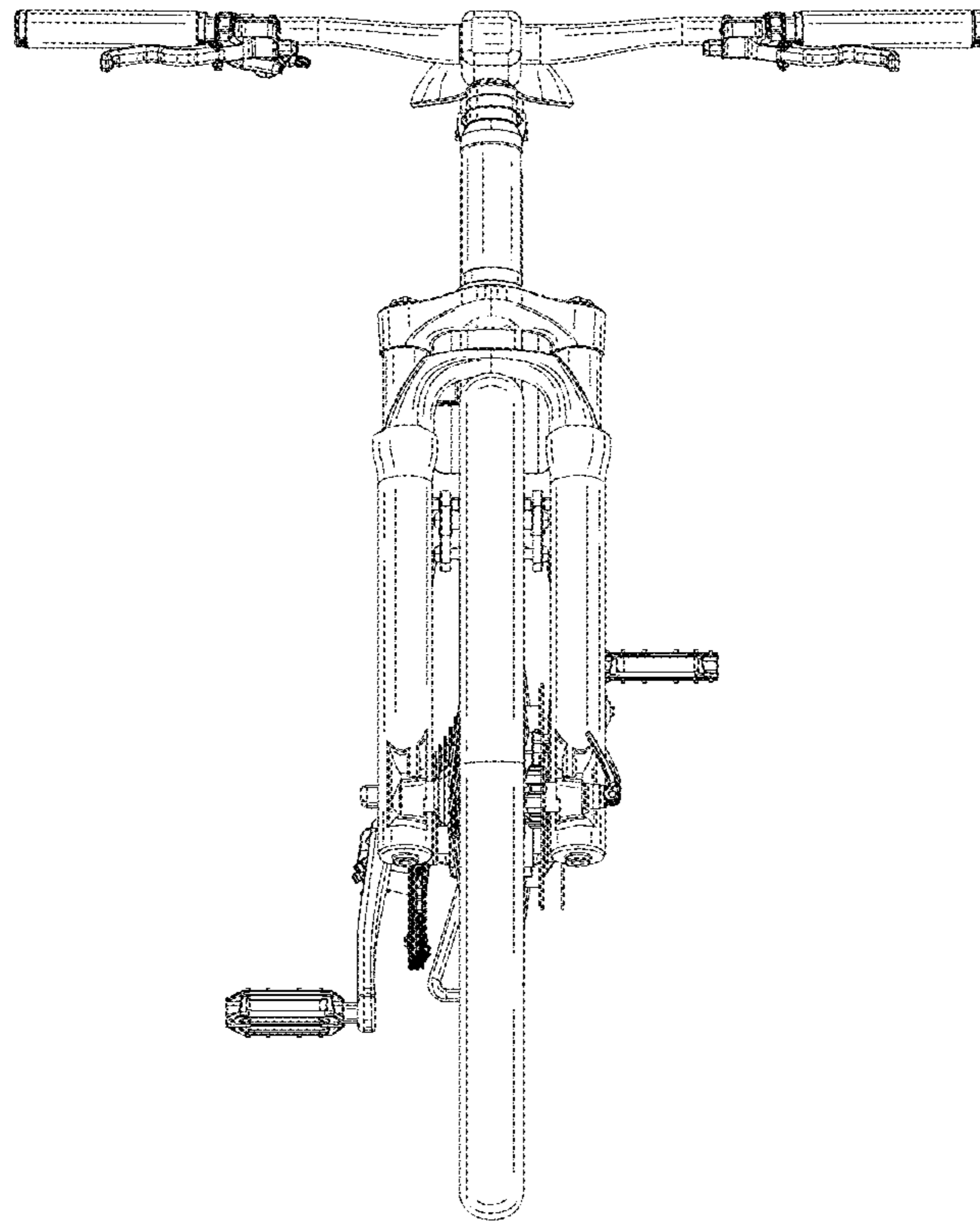


FIG. 6

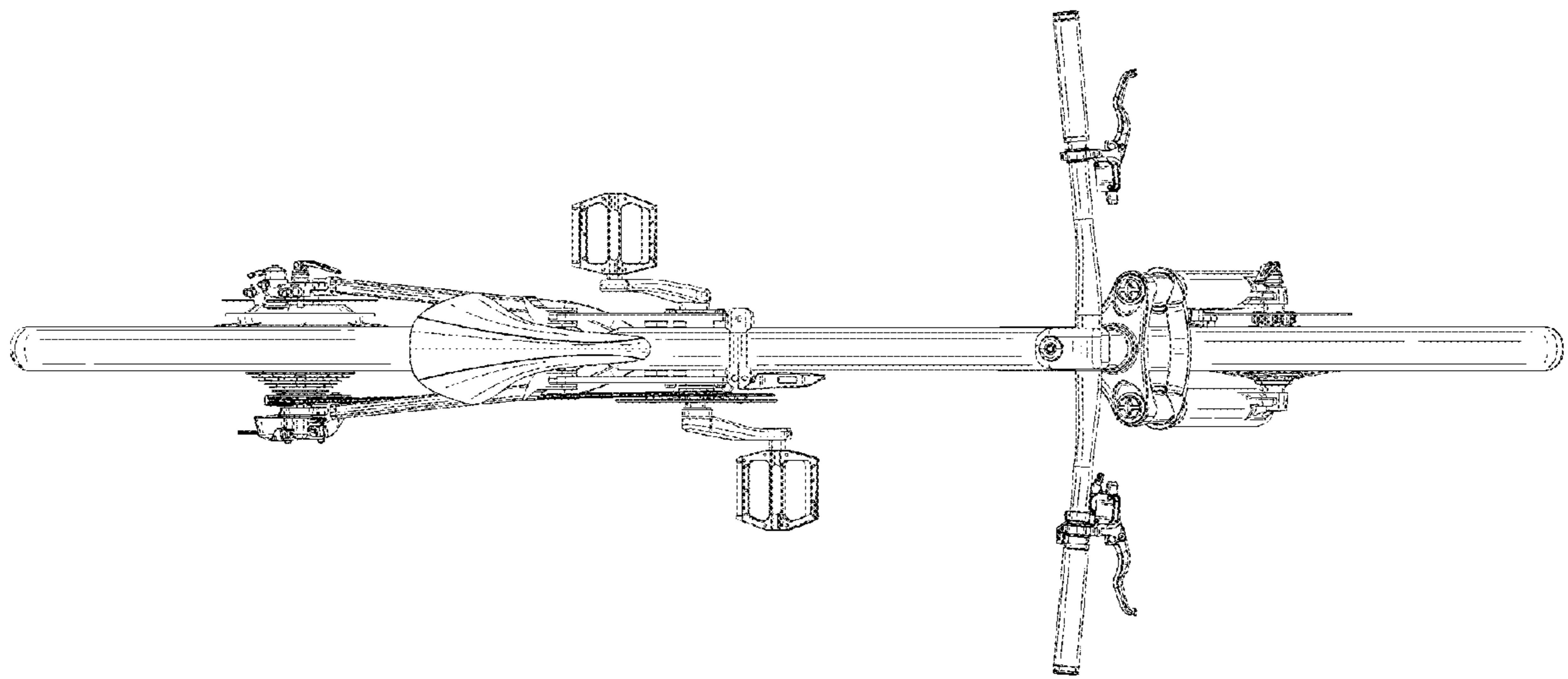


FIG. 7

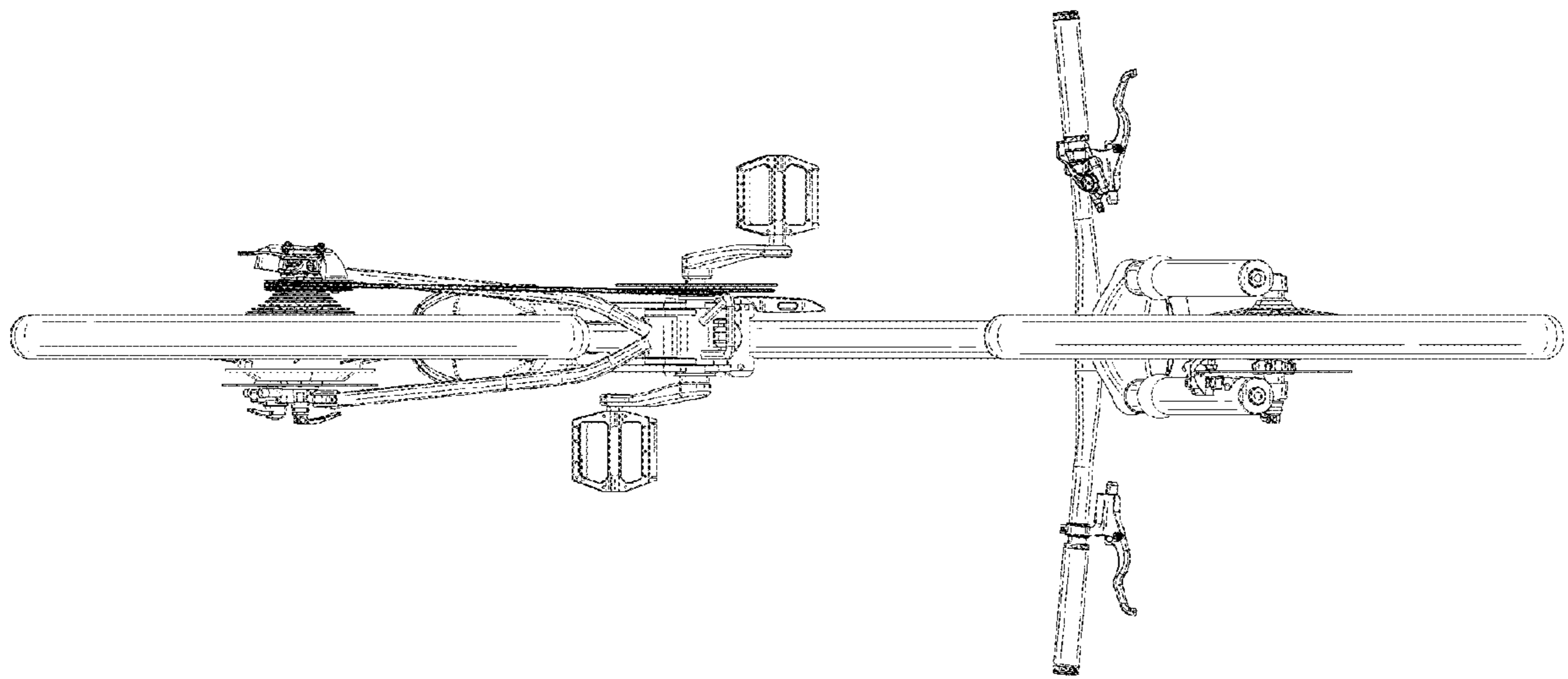


FIG. 8