



US00D925396S

(12) **United States Design Patent** (10) **Patent No.:** **US D925,396 S**  
**Paik et al.** (45) **Date of Patent:** **\*\* Jul. 20, 2021**

(54) **BUCKLE FOR BAG**

(71) Applicant: **WOJIN PLASTIC Co., Ltd.**,  
Namyangju-si (KR)  
(72) Inventors: **Ji Sook Paik**, Seoul (KR); **Ji Hye Paik**, Seoul (KR); **Ji Won Son**, Seoul (KR); **Nan Hee Paik**, Seoul (KR)  
(73) Assignee: **WOJIN PLASTIC Co., Ltd.**,  
Namyangju-si (KR)

(\*\*) Term: **15 Years**

(21) Appl. No.: **29/717,828**

(22) Filed: **Dec. 19, 2019**

(30) **Foreign Application Priority Data**

Oct. 22, 2019 (KR) ..... 30-2019-0049973  
(51) **LOC (13) Cl.** ..... **02-07**  
(52) **U.S. Cl.**  
USPC ..... **D11/216**  
(58) **Field of Classification Search**  
USPC ..... D11/200, 201, 206, 212, 215, 216, 218,  
D11/220; D29/100-101.5; D3/216;  
D2/627-640; D6/333  
CPC ... A44B 11/001; A44B 11/005; A44B 11/008;  
A44B 11/02; A44B 11/00; A44B 11/065;  
A44B 11/08; A44B 11/10; A44B 11/12;  
(Continued)

(56) **References Cited**

**U.S. PATENT DOCUMENTS**

D381,936 S \* 8/1997 Ansher ..... D11/216  
D397,641 S \* 9/1998 Hamilton ..... D11/216  
(Continued)

**FOREIGN PATENT DOCUMENTS**

KR 3020190049973 \* 10/2020

**OTHER PUBLICATIONS**

Safety QA Champion Buckle, no date available, [online], [site visited Dec. 23, 2020], Retrieved from url:http://www.wojinplastic.com/kr/product/view.php?idx=672&part1\_idx=121&part\_idx=121 (Year: 2020).\*

(Continued)

*Primary Examiner* — Wendy L Arminio

*Assistant Examiner* — Tracey J Bell

(74) *Attorney, Agent, or Firm* — Paratus Law Group, PLLC

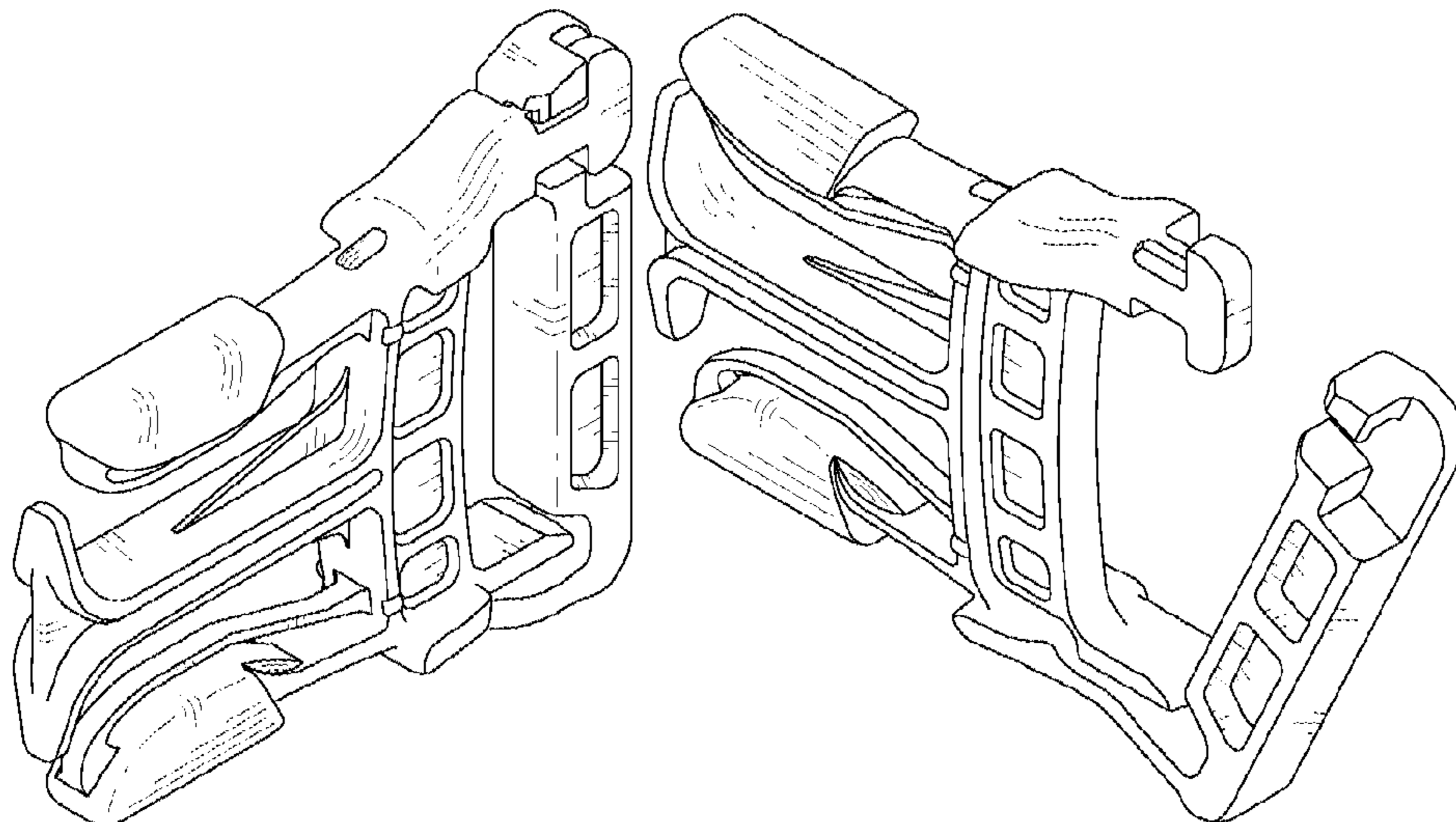
(57) **CLAIM**

The ornamental design for a buckle for bag, as shown and described.

**DESCRIPTION**

FIG. 1 is a front, top, and right perspective view of a buckle for bag, showing the claimed design;  
FIG. 2 is a front view thereof;  
FIG. 3 is a back view thereof;  
FIG. 4 is a left side view thereof;  
FIG. 5 is a right side view thereof;  
FIG. 6 is a top view thereof;  
FIG. 7 is a bottom view thereof;  
FIG. 8 is a cross-sectional view taken along line 8-8 shown in FIG. 2;  
FIG. 9 is a front, top, and left perspective view thereof;  
FIG. 10 is a front, top and right perspective view thereof, showing a state in which a hook portion is unhooked; and  
FIG. 11 is a reference view showing the buckle for bag in use.  
The long dash short dash broken lines and arrows shown in FIG. 2 are used to identify the cross-sectional view and form no part of the claimed design. The portions of the buckle for bag shown in broken lines in FIGS. 3 and 4 form no part of the claimed design. The evenly spaced broken lines shown in FIG. 11 depict environment and form no part of the claimed design.

**1 Claim, 6 Drawing Sheets**



(58) **Field of Classification Search**

CPC ..... A44B 11/125; A44B 11/14; A44B 11/226;  
A44B 11/25; A44B 11/2503; A44B  
11/2507; A44B 11/2511; A44B 11/2515;  
A44B 11/2519; A44B 11/2523; A44B  
11/253; A44B 11/2538; A44B 11/2549;  
A44B 11/2553; A44B 11/2557; A44B  
11/2561; A44B 11/2569; A44B 11/2576;  
A44B 11/258; A44B 11/2588; A44B  
11/26

See application file for complete search history.

D538,197 S \* 3/2007 Wemmer ..... D11/216  
D560,551 S \* 1/2008 Uehara ..... D11/216  
D563,269 S \* 3/2008 Anscher ..... D11/216  
D616,332 S \* 5/2010 Anscher ..... D11/216  
D668,178 S \* 10/2012 Kao ..... D11/216  
D686,108 S \* 7/2013 Paik ..... D11/216  
D734,209 S \* 7/2015 Kadoishi ..... D11/216  
D782,362 S \* 3/2017 Sumroy ..... D11/216  
D868,626 S \* 12/2019 Paik ..... D11/218  
D880,351 S \* 4/2020 Paik ..... D11/216  
D908,531 S \* 1/2021 Paik ..... D11/216  
2010/0107370 A1 \* 5/2010 Paik ..... A44B 11/266  
24/190

(56)

**References Cited**

U.S. PATENT DOCUMENTS

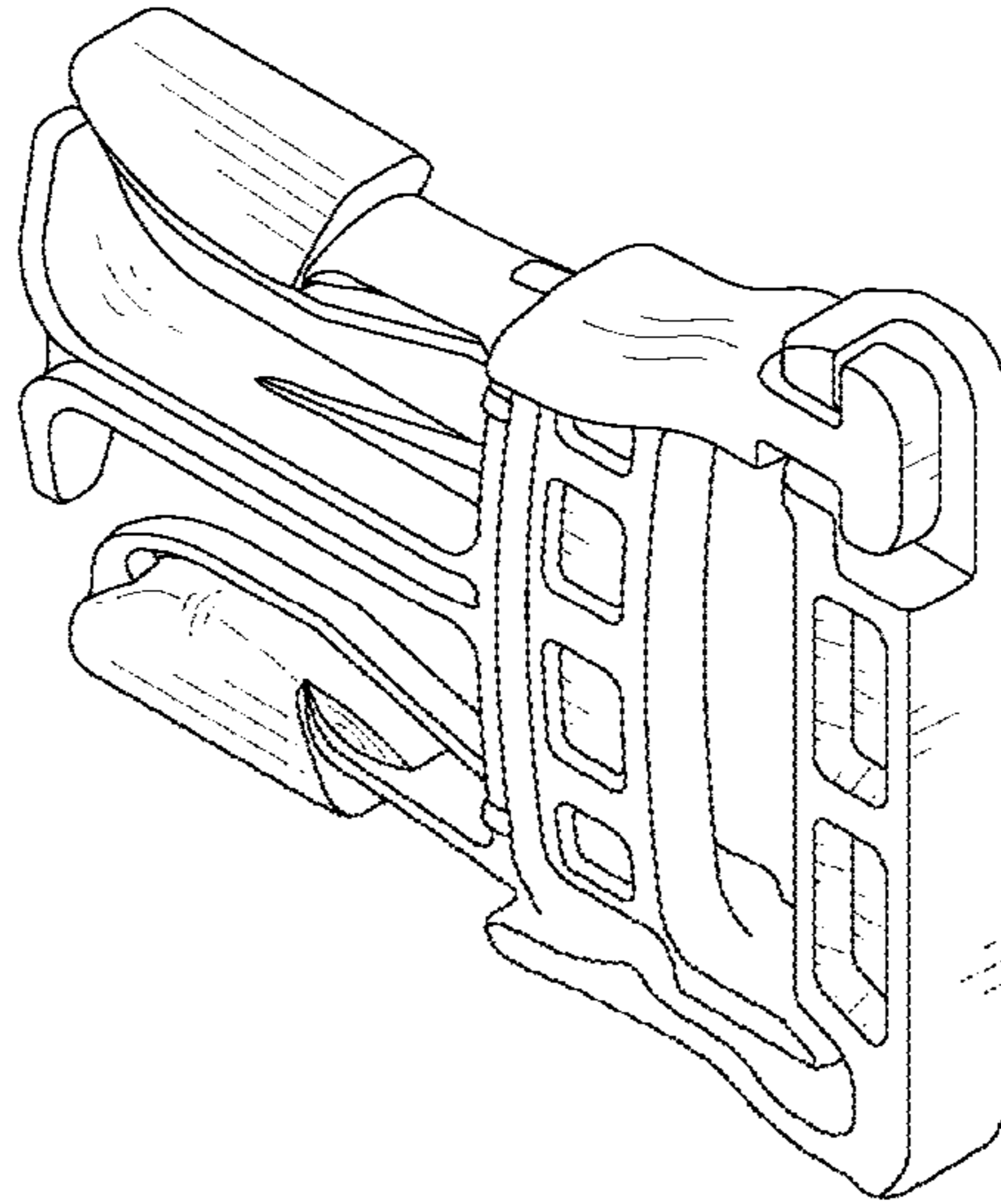
5,893,199 A \* 4/1999 Anscher ..... A44B 11/006  
24/170  
D425,443 S \* 5/2000 Anscher ..... D11/216

OTHER PUBLICATIONS

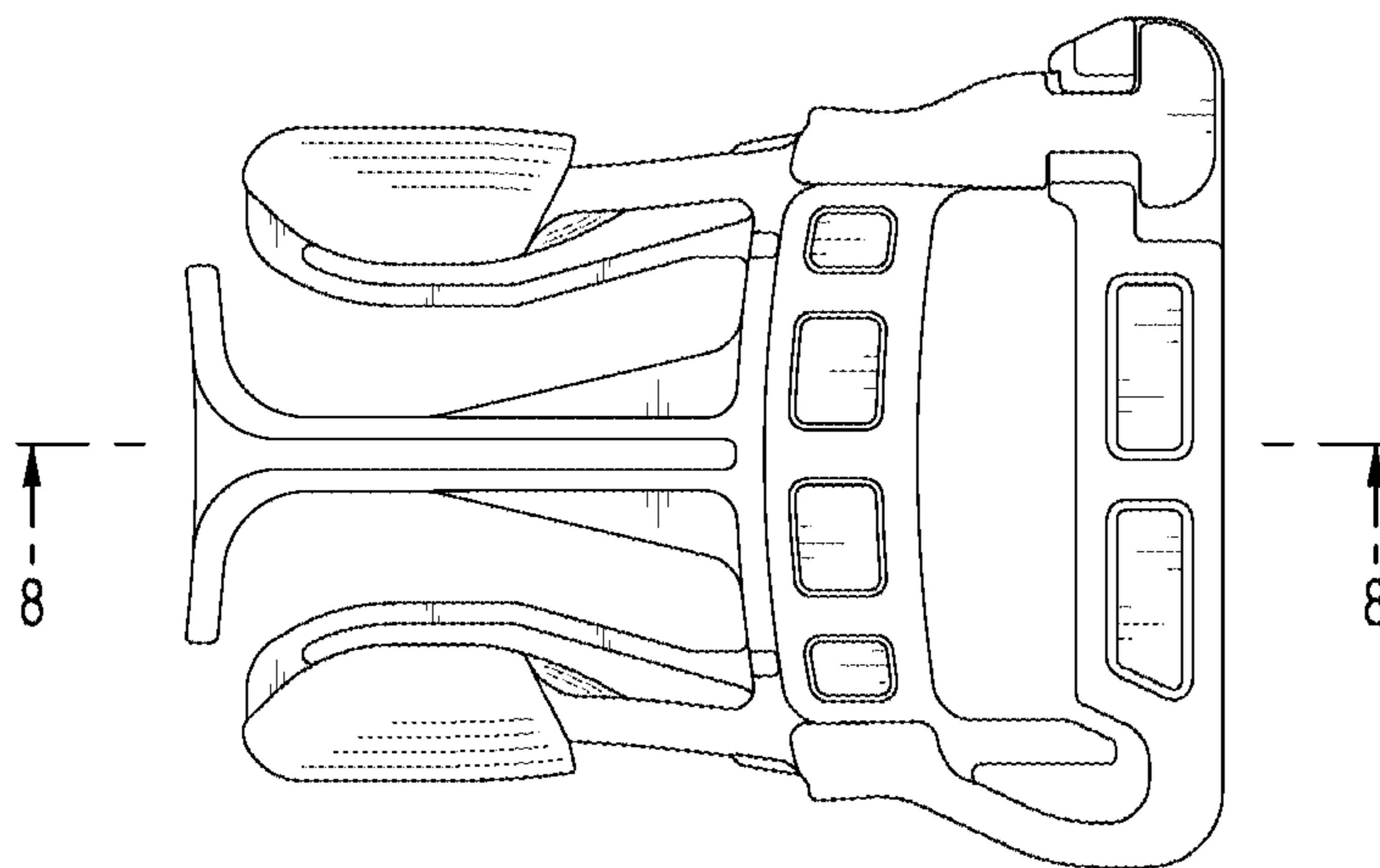
Duraflex Stealth Buckle, no date available, [online], [site visited  
Dec. 23, 2020], Retrieved from url:[https://www.duraflexgroup.com/  
products/PROF00001105?family=true](https://www.duraflexgroup.com/products/PROF00001105?family=true) (Year: 2020).\*

\* cited by examiner

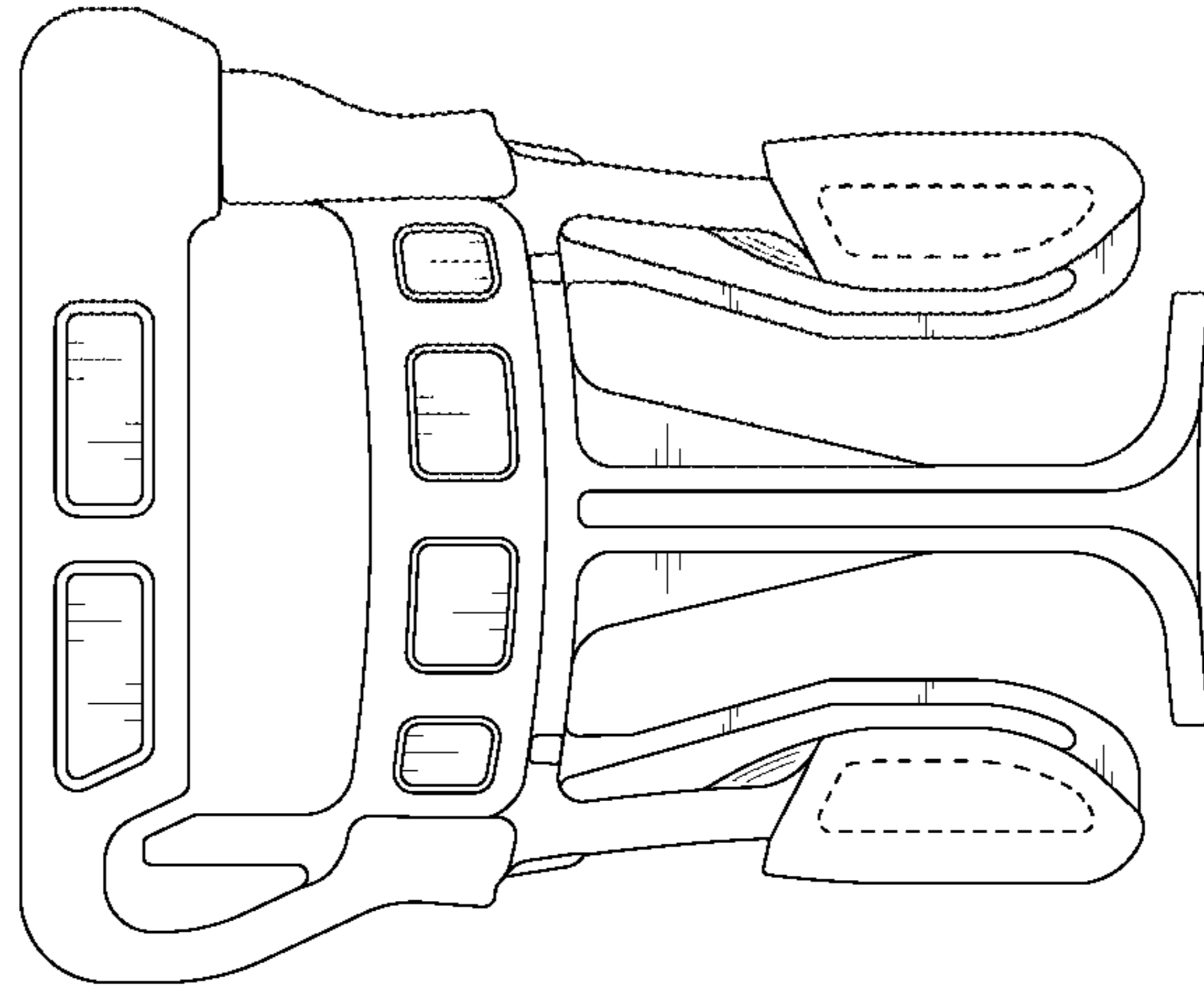
**FIG. 1**



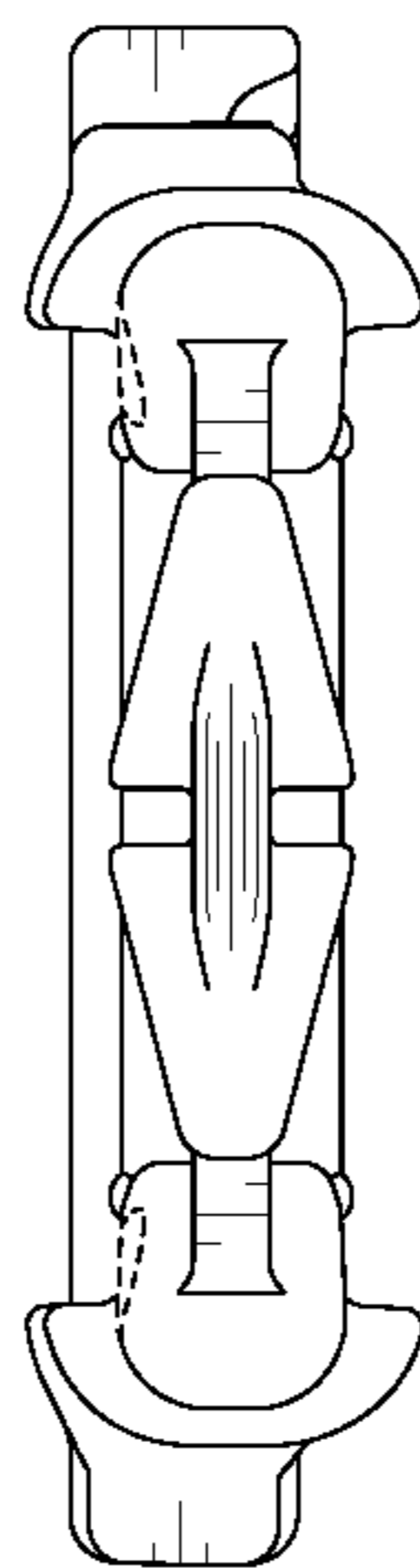
**FIG. 2**



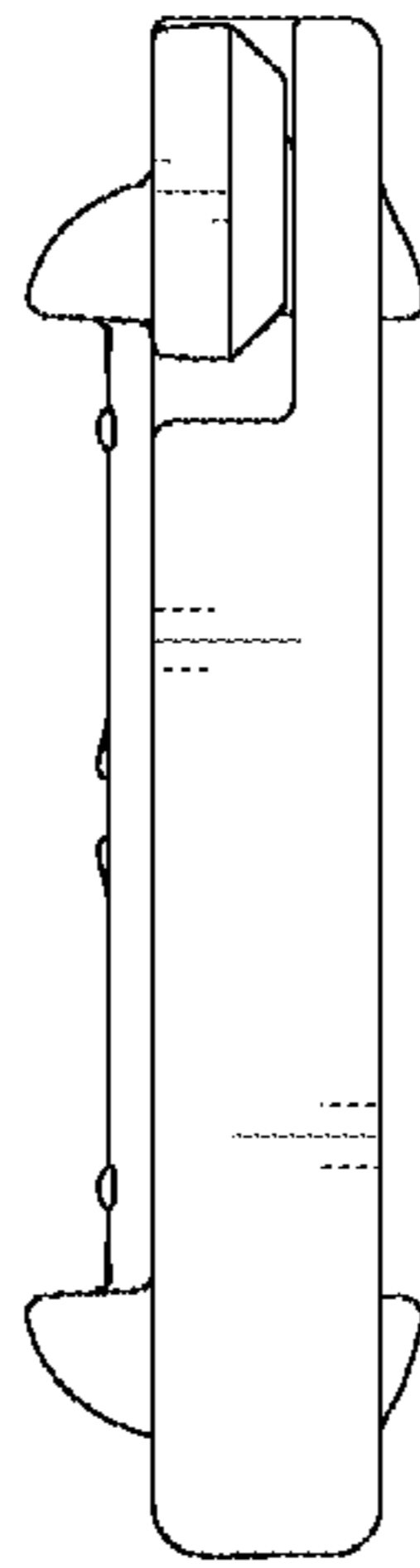
**FIG. 3**



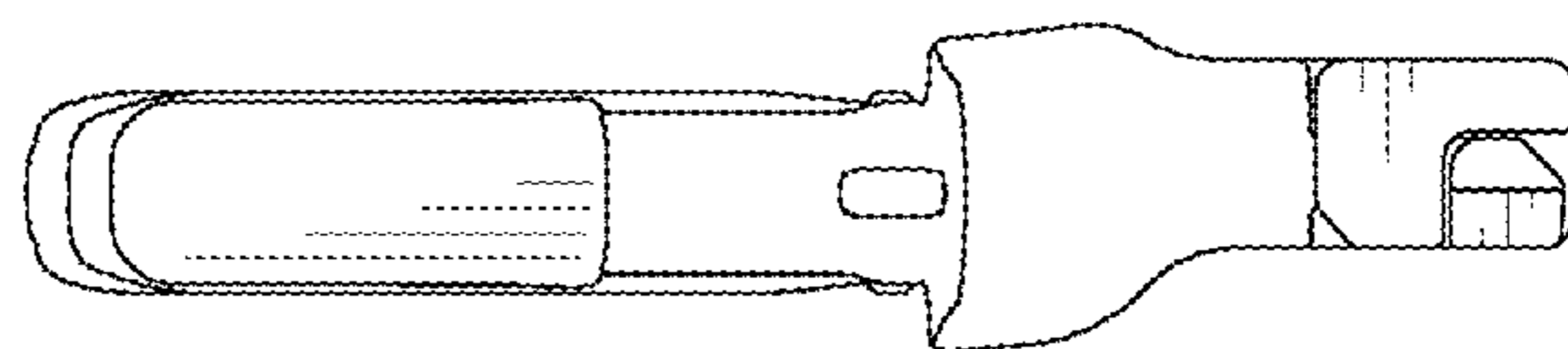
**FIG. 4**



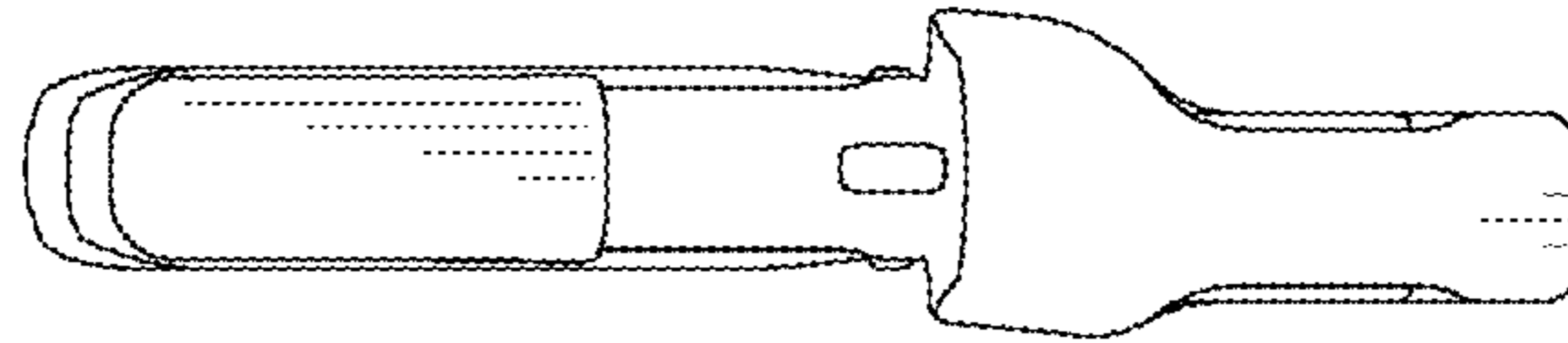
**FIG. 5**



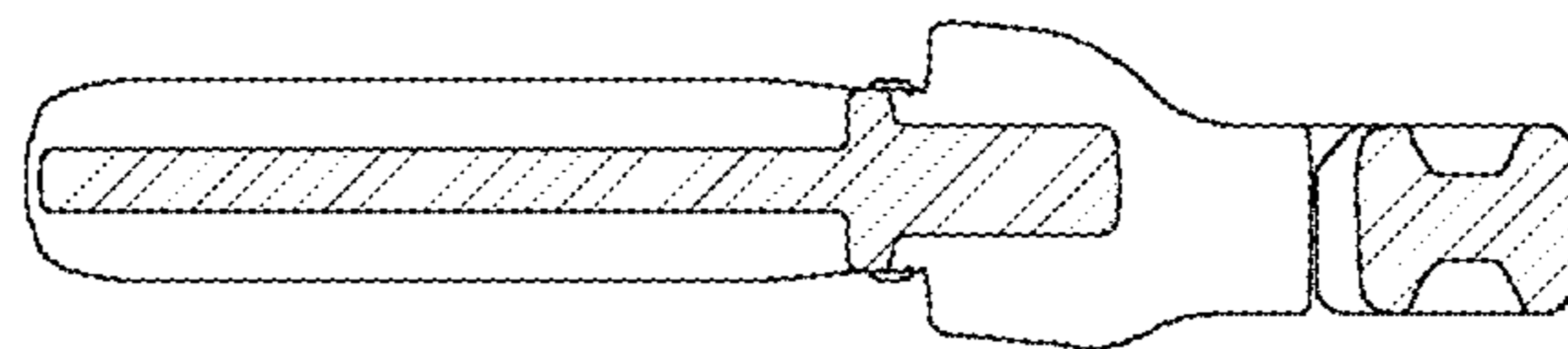
**FIG. 6**



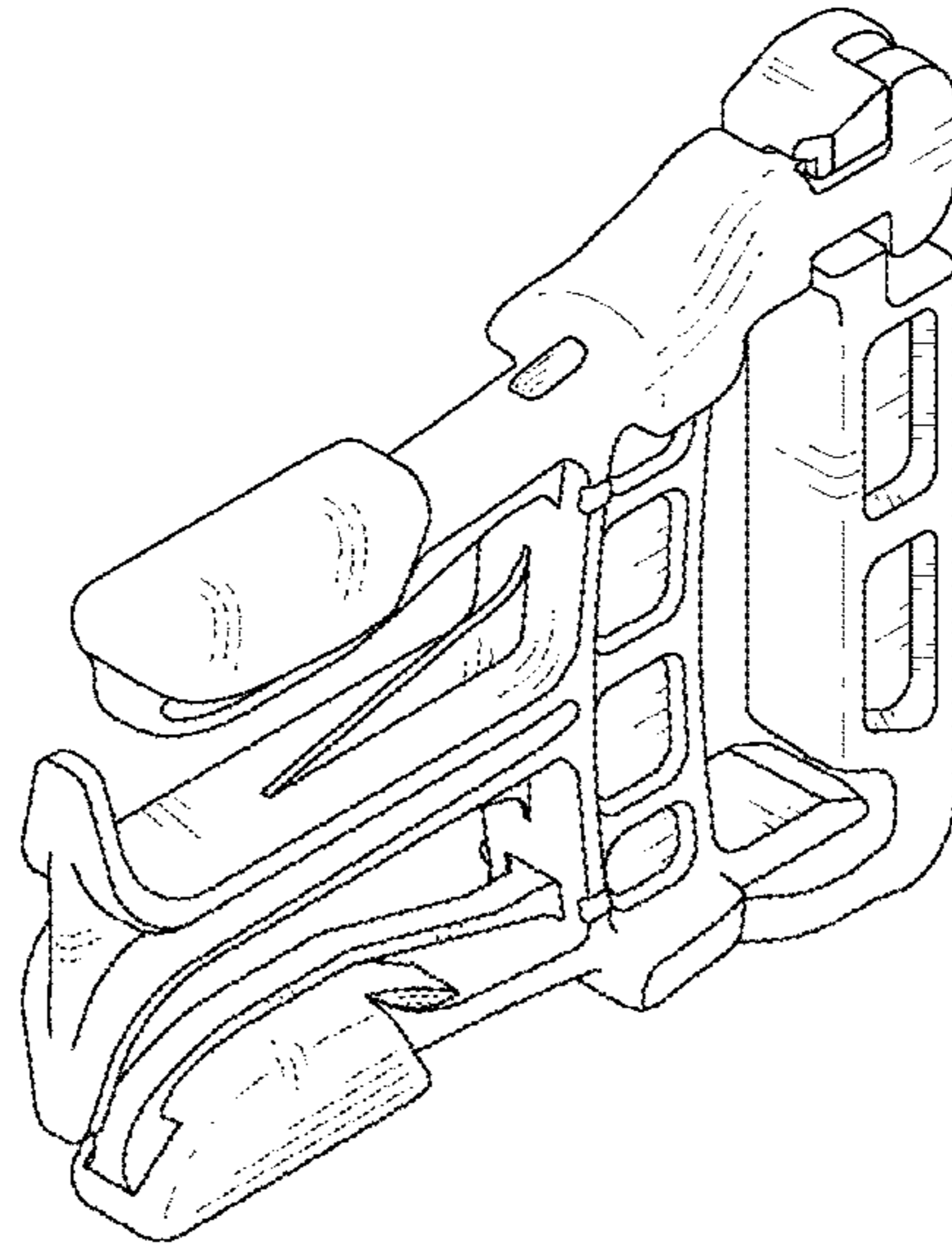
**FIG. 7**



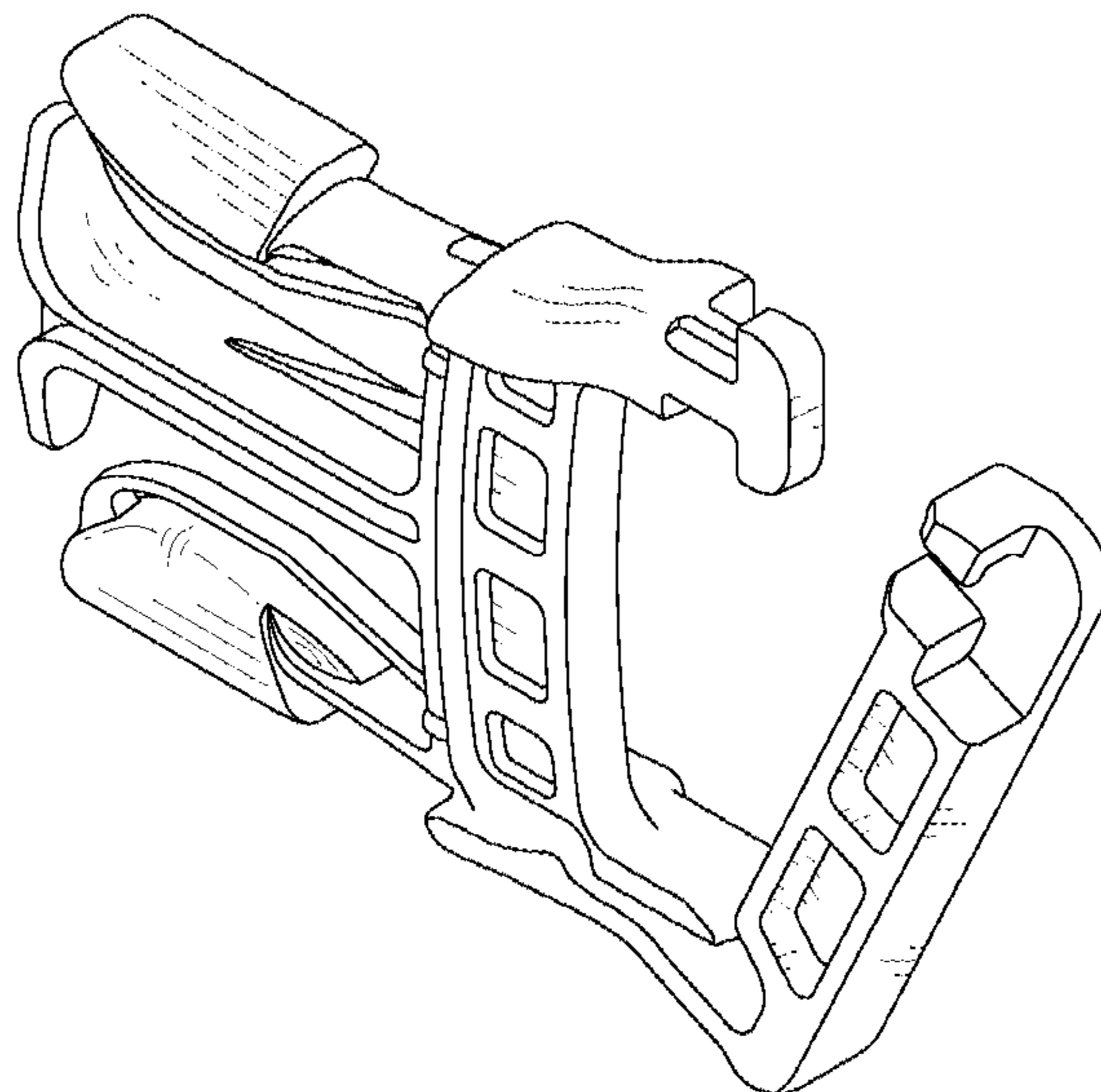
**FIG. 8**



**FIG. 9**



**FIG. 10**



**FIG. 11**

