



US00D925395S

(12) **United States Design Patent**
Paik et al.

(10) **Patent No.:** **US D925,395 S**
(45) **Date of Patent:** **** Jul. 20, 2021**

(54) **BUCKLE**

- (71) Applicant: **WOJIN PLASTIC Co., Ltd.**,
Namyangju-si (KR)
- (72) Inventors: **Ji Sook Paik**, Seoul (KR); **Ji Hye Paik**, Seoul (KR); **Ji Won Son**, Seoul (KR); **Nan Hee Paik**, Seoul (KR)
- (73) Assignee: **WOJIN PLASTIC Co., Ltd.**,
Namyangju-si (KR)
- (**) Term: **15 Years**
- (21) Appl. No.: **29/733,050**
- (22) Filed: **Apr. 29, 2020**

(30) **Foreign Application Priority Data**

Nov. 5, 2019 (KR) 30-2019-0052467

(51) **LOC (13) Cl.** **02-07**

(52) **U.S. Cl.**
USPC **D11/212; D11/218**

(58) **Field of Classification Search**
USPC D3/200, 201, 215, 222, 224, 226, 228,
D3/318, 323, 324; D11/87, 94, 200, 201,
D11/208-210, 212, 214, 215, 216, 218,
D11/220, 221, 228; D24/184; D29/100,
D29/122; D30/139, 152, 153; D22/108
CPC A44B 11/00; A44B 11/001; A44B 11/006;
A44B 11/04; A44B 11/06; A44B 11/065;
A44B 11/18; A44B 11/20; A44B 11/2538;
A44B 13/0047; A44B 19/00; A44B
19/26; Y10T 24/498; Y10T 24/1467;
Y10T 24/1488; B65D 65/06; A45F 3/005;
A45F 3/14; A45F 2003/144; A45F 5/021;
A45F

(Continued)

(56) **References Cited**

U.S. PATENT DOCUMENTS

- 2,015,863 A * 10/1935 Mosgrove A44B 11/04
24/186
- 4,038,726 A * 8/1977 Takabayashi A44B 11/06
24/198

(Continued)

OTHER PUBLICATIONS

QR Vest Catcher (available online) Retrieved from the internet May 17, 2021 from URL: http://www.wojinplastic.com/kr/product/view.php?idx=690&part1_idx=121&part_idx=136.*

Primary Examiner — Kevin K Rudzinski

Assistant Examiner — Richard Kearney

(74) *Attorney, Agent, or Firm* — Paratus Law Group, PLLC

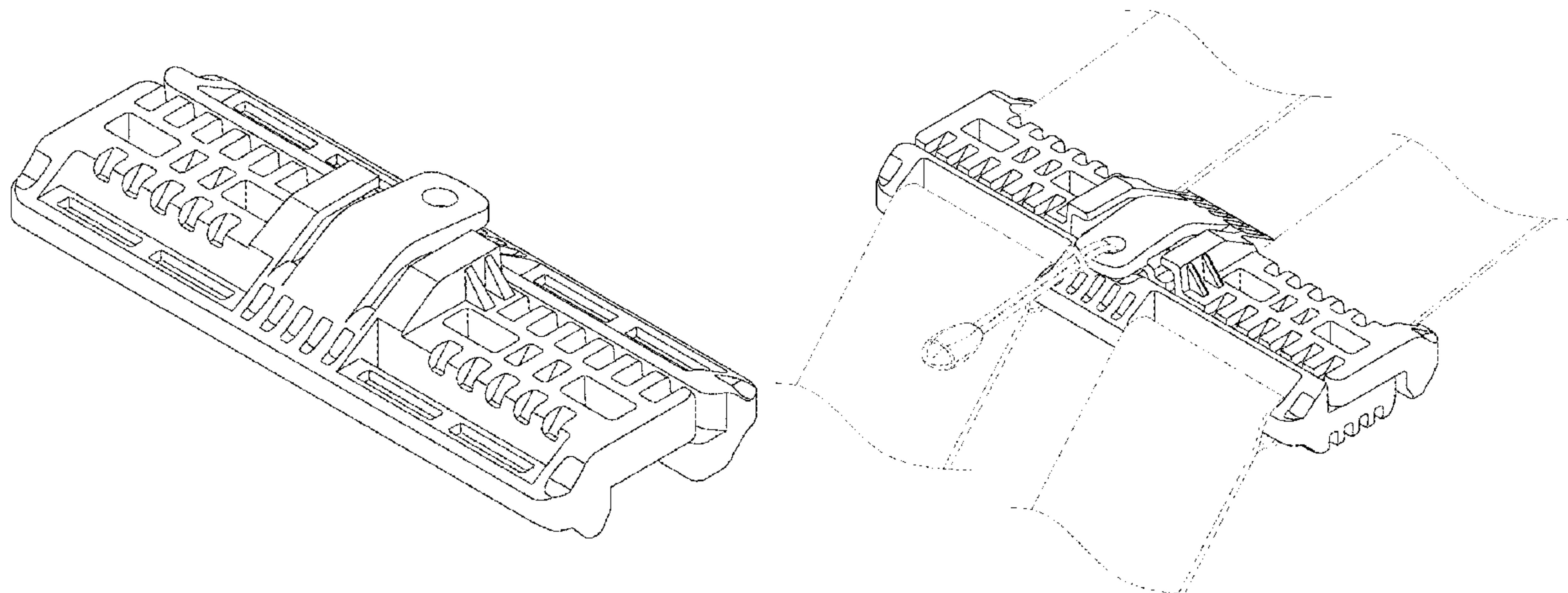
(57) **CLAIM**

The ornamental design for a buckle, as shown and described.

DESCRIPTION

FIG. 1 is a front, top and right side perspective view of a buckles, showing the claimed design;
 FIG. 2 is a front view thereof;
 FIG. 3 is a back view thereof;
 FIG. 4 is a left side view thereof;
 FIG. 5 is a right side view thereof;
 FIG. 6 is a top view thereof;
 FIG. 7 is a bottom view thereof;
 FIG. 8 is a cross-sectional view taken along line 8-8 shown in FIG. 2;
 FIG. 9 is a back, top and left side perspective view thereof;
 FIG. 10 is a back, bottom and right side perspective view thereof; and,
 FIG. 11 is a reference view showing the buckle in use.
 The long dash short dash broken lines and arrows shown in FIG. 2 are used to identify the cross-sectional view and form no part of the claimed design. The broken lines shown in FIG. 11 depict environment and form no part of the claimed design.

1 Claim, 7 Drawing Sheets



(58) **Field of Classification Search**

CPC .. 2200/0516; A45F 2200/0575; F41C 33/007;
F41C 33/008

See application file for complete search history.

(56) **References Cited**

U.S. PATENT DOCUMENTS

4,296,531	A *	10/1981	Bengtsson	A44B 11/006
				24/200
4,922,582	A *	5/1990	Flanigan	A44B 11/04
				24/71.1
6,622,348	B1 *	9/2003	Badrenas Buscart	A44B 11/006
				24/169
D548,811	S *	8/2007	Swan	D22/109
D670,352	S *	11/2012	Norberg	D22/109
D730,156	S *	5/2015	Johnson	D8/349
D739,491	S *	9/2015	Norberg	D22/108
D739,912	S *	9/2015	Norberg	D22/108
D766,521	S *	9/2016	Hanudel	D29/122
D852,044	S *	6/2019	Robson	D9/523
D894,786	S *	9/2020	Lee	D11/216

* cited by examiner

FIG. 1

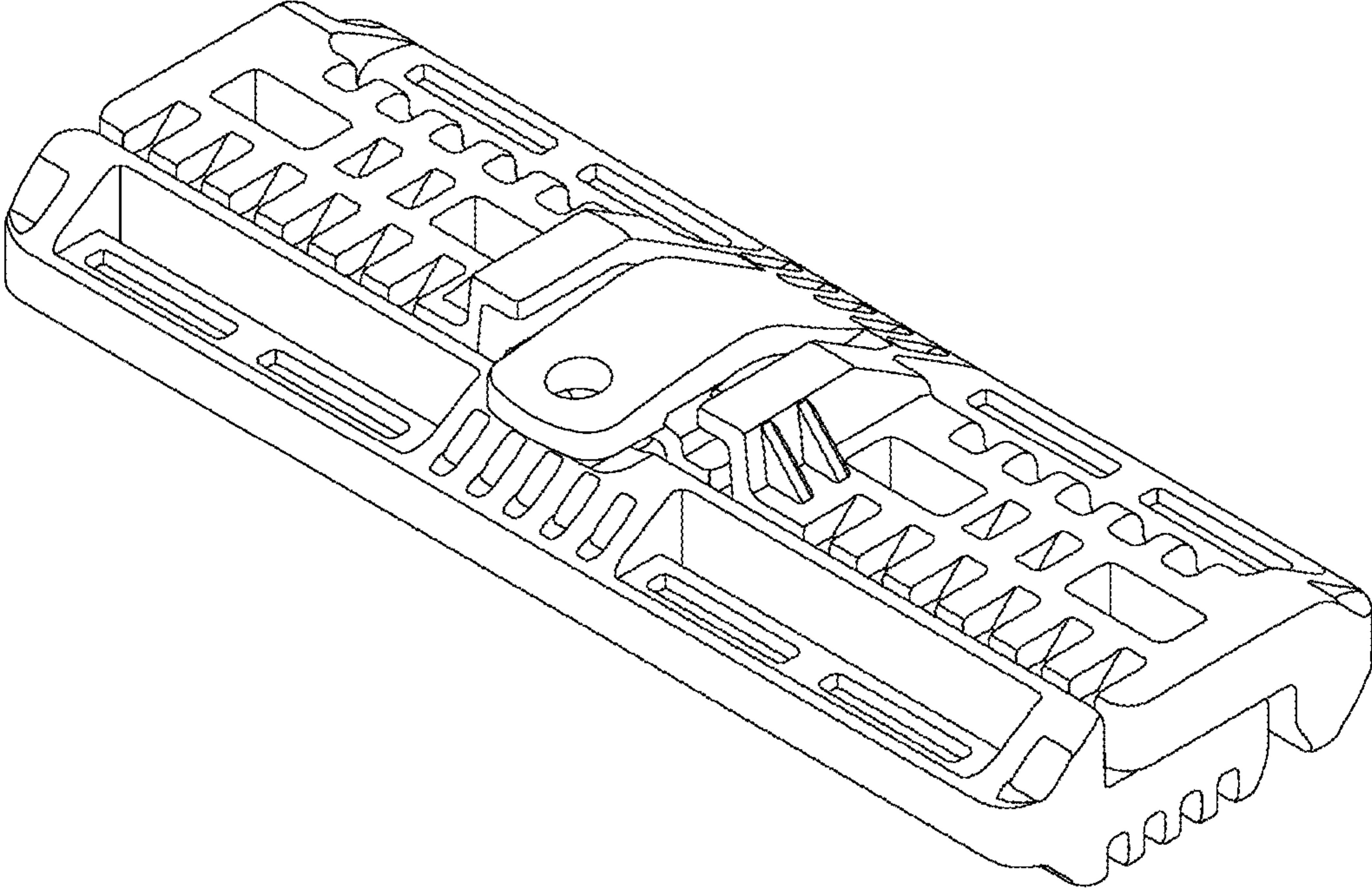


FIG. 2

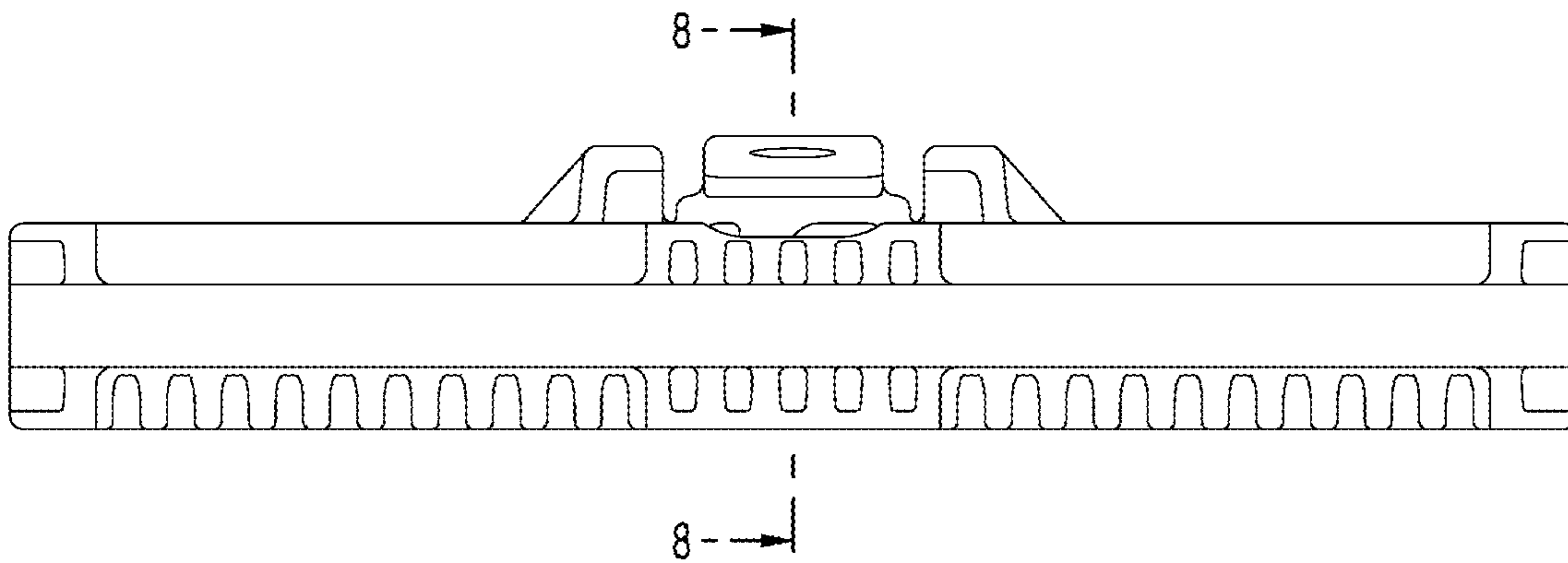


FIG. 3

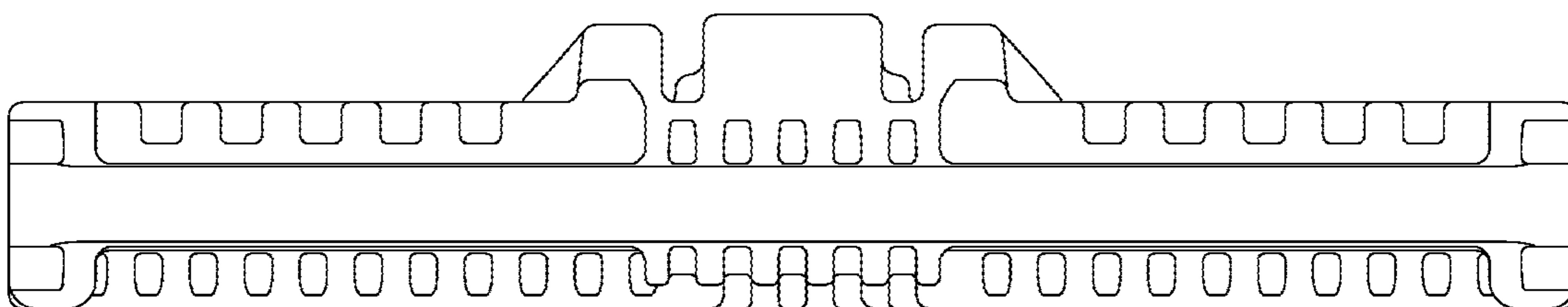


FIG. 4

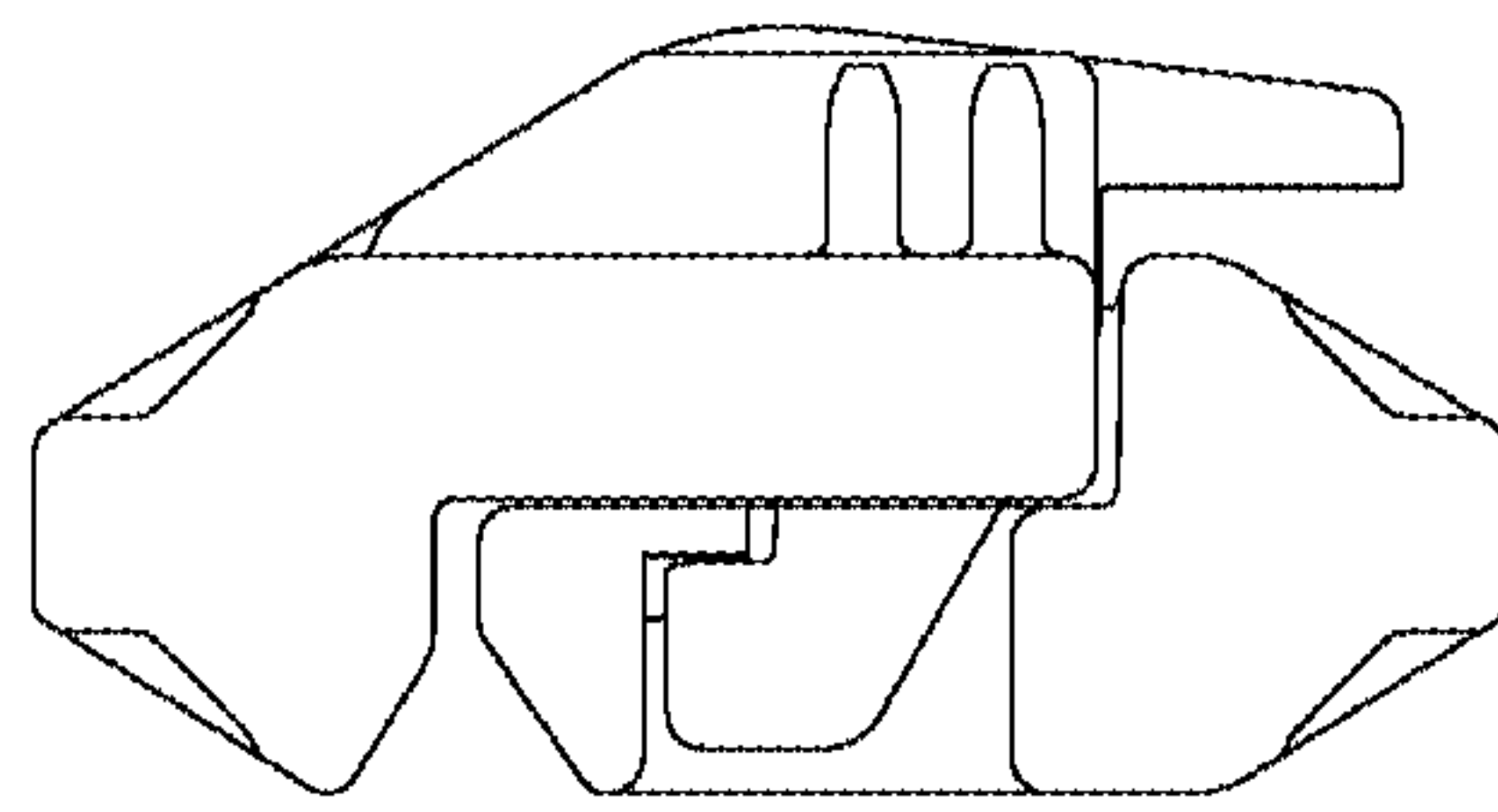


FIG. 5

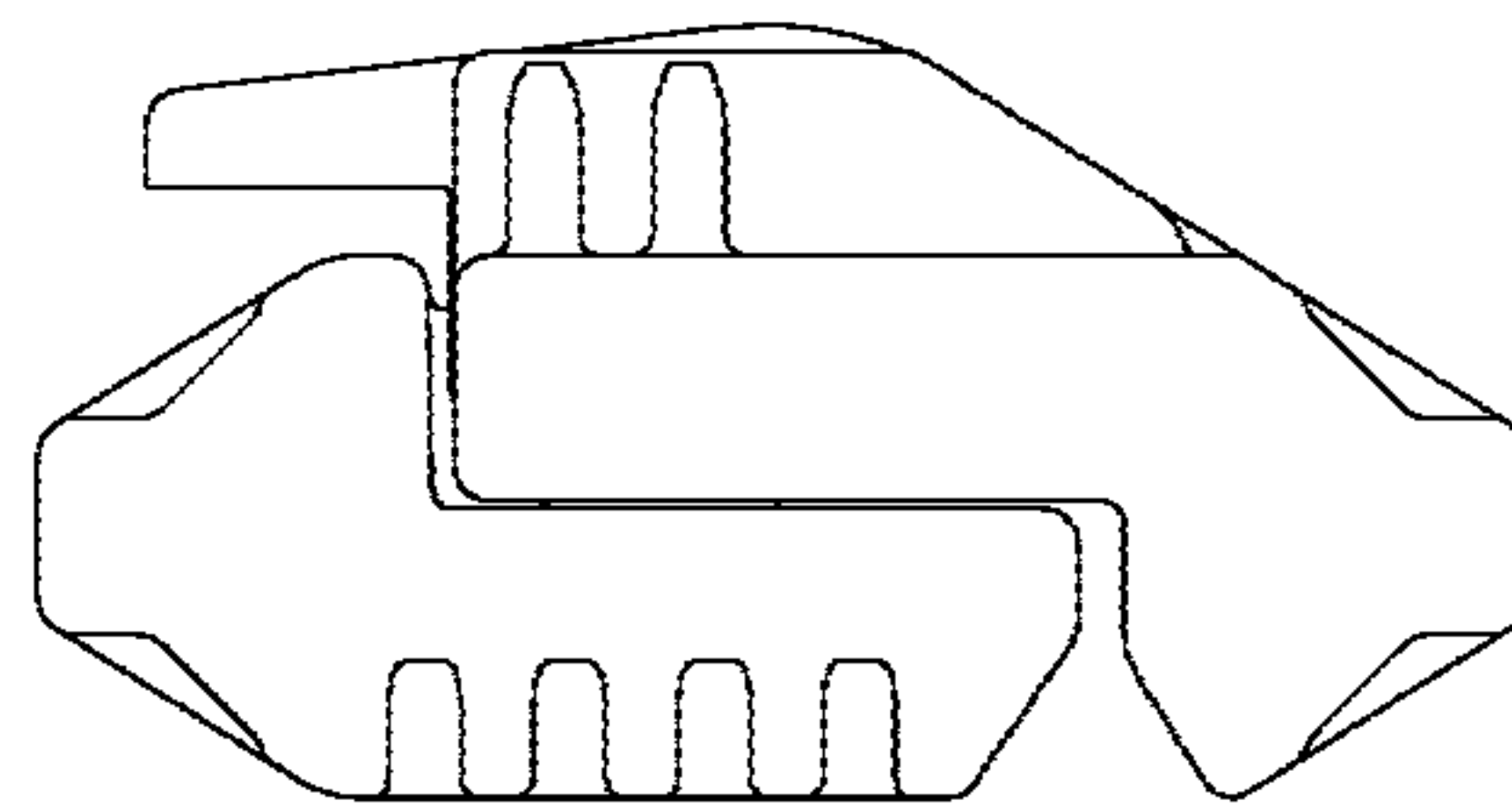


FIG. 6

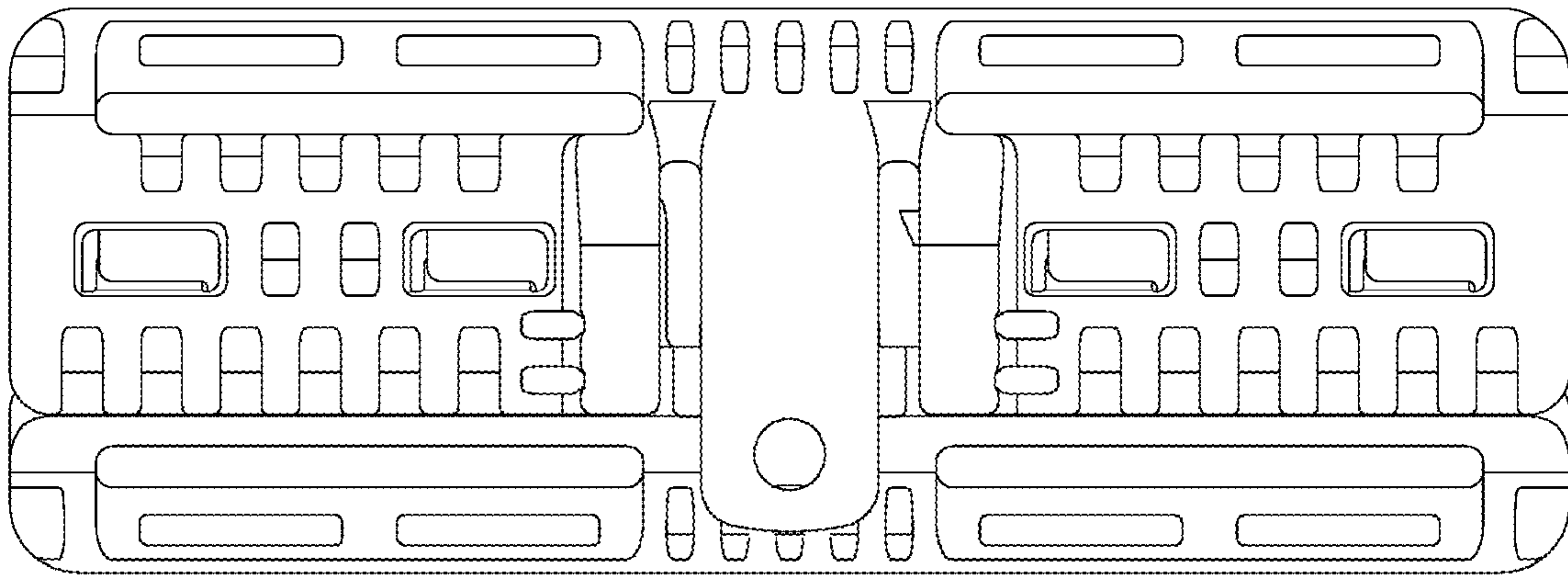


FIG. 7

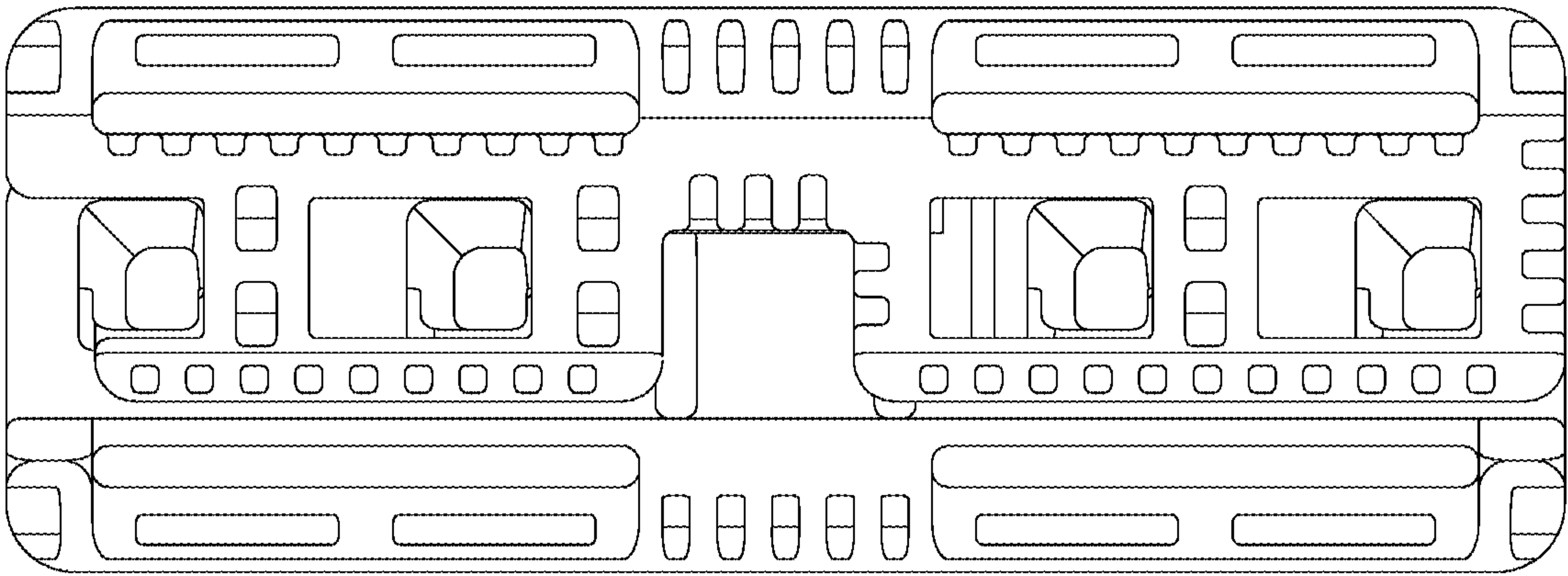


FIG. 8

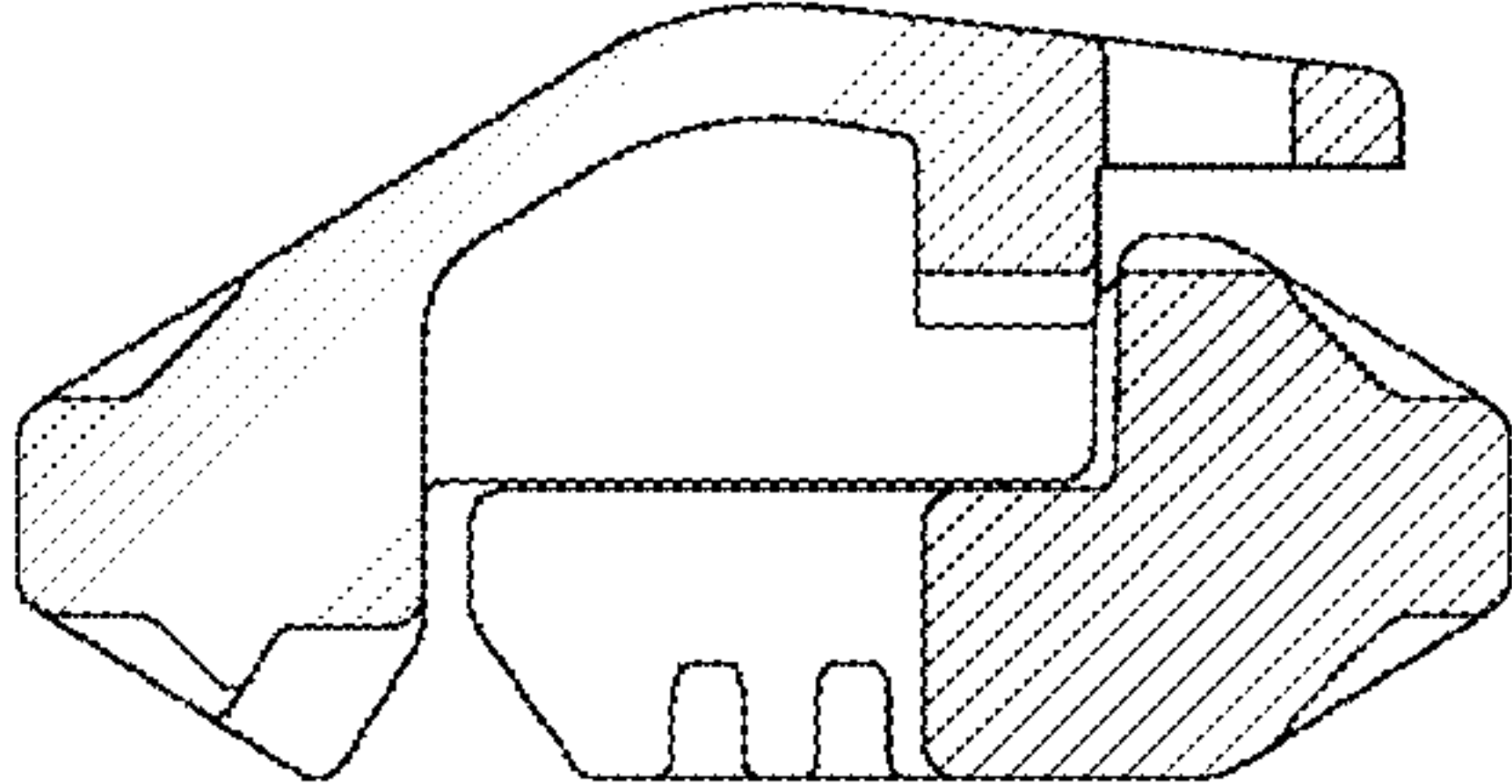


FIG. 9

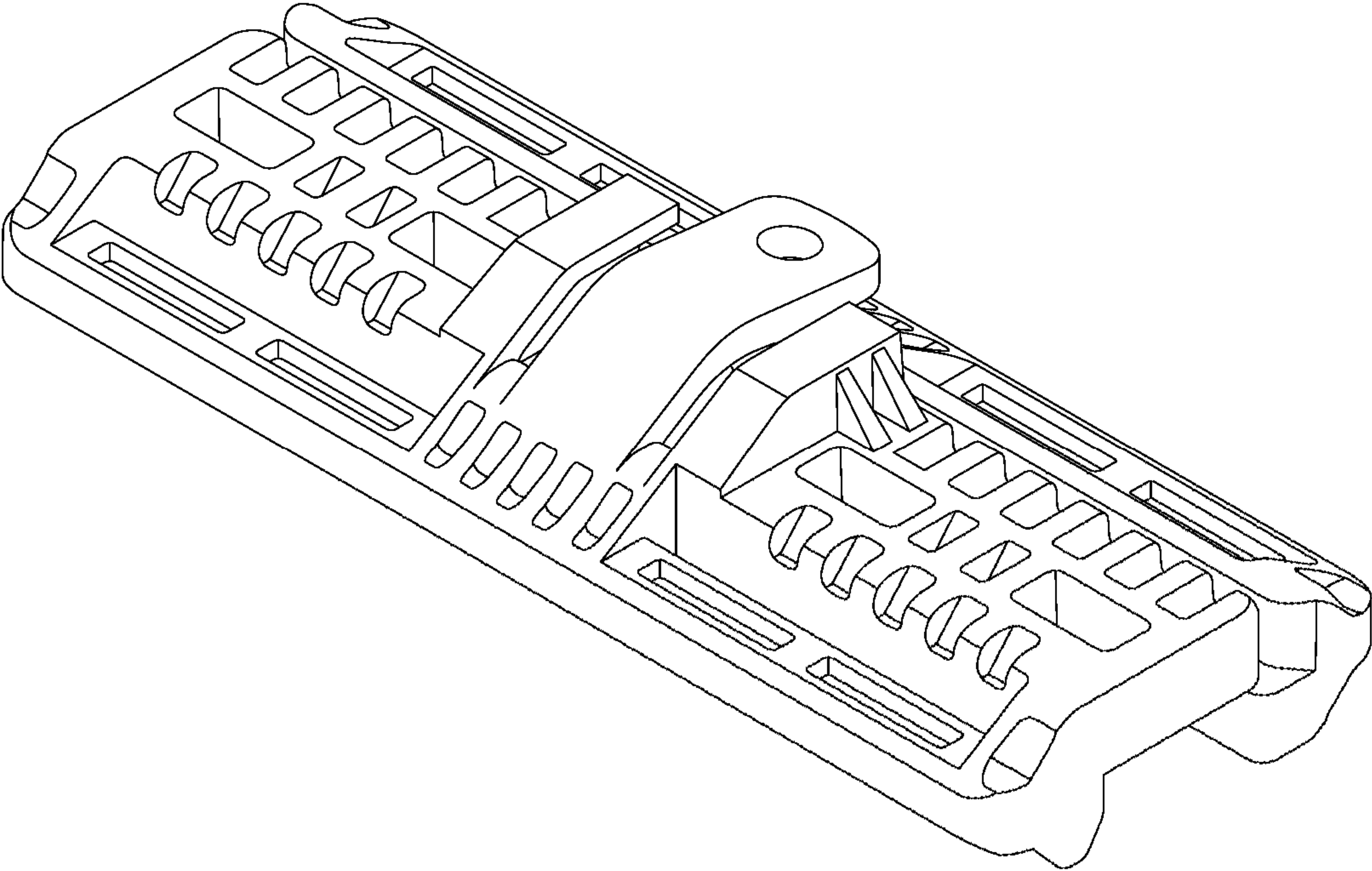


FIG. 10

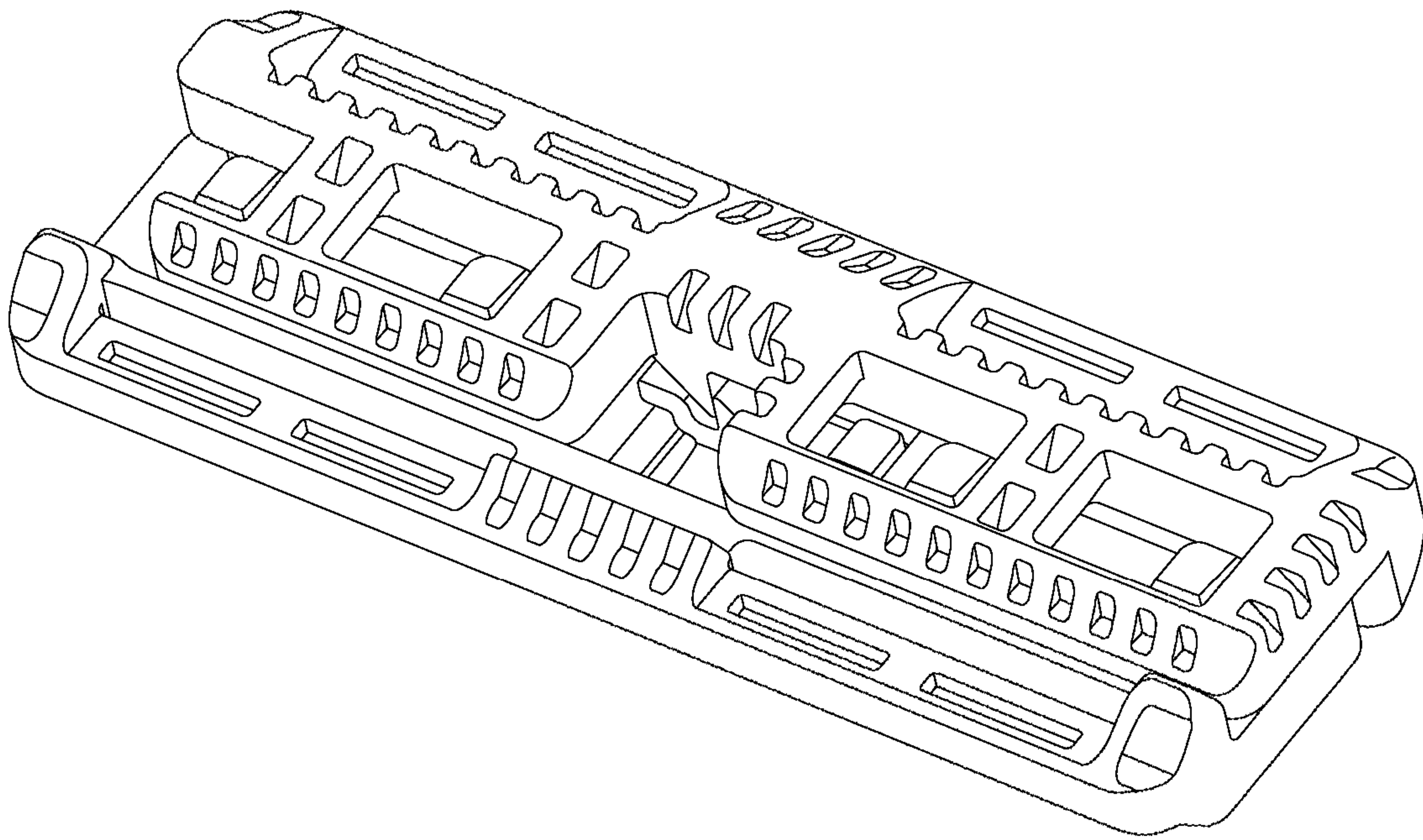


FIG. 11

