



US00D925393S

(12) **United States Design Patent** (10) **Patent No.:** **US D925,393 S**
Zijl et al. (45) **Date of Patent:** **** Jul. 20, 2021**

(54) **DOOR BANNER**

Primary Examiner — Cynthia Ramirez

Assistant Examiner — Xavier Marti-Santos

(71) Applicants: **Adolf E. J. Zijl**, Winter Springs, FL (US); **Frederick Leo McCollum**, Hudson, FL (US)

(74) *Attorney, Agent, or Firm* — Allen Dyer Doppelt & Gilchrist, P.A.

(72) Inventors: **Adolf E. J. Zijl**, Winter Springs, FL (US); **Frederick Leo McCollum**, Hudson, FL (US)

(57) **CLAIM**

The ornamental design for a door banner, as shown and described.

(**) Term: **15 Years**

DESCRIPTION

(21) Appl. No.: **29/689,879**

FIG. 1 is a top, right, front perspective view of a door banner, according to a first embodiment showing our new design;

(22) Filed: **May 2, 2019**

(51) **LOC (13) Cl.** **11-05**

FIG. 2 is a front view of the design of FIG. 1;

(52) **U.S. Cl.**

FIG. 3 is a rear view of the design of FIG. 1;

USPC **D11/165; D6/575**

FIG. 4 is a left side view of the design of FIG. 1, the right side being a mirror image thereof;

(58) **Field of Classification Search**

USPC D6/575, 576, 578, 579.58; D8/349, 354, D8/367; D11/132, 165, 166, 168, 171, D11/181, 182; D20/11, 42; D25/138
(Continued)

FIG. 5 is an enlarged detail top, right, front perspective view of an upper right corner of the design of FIG. 1, the upper left corner being a mirror image thereof;

(56) **References Cited**

U.S. PATENT DOCUMENTS

2,555,764 A * 6/1951 Selkove A47H 23/02
112/417
D262,851 S * 2/1982 Gitkin D6/575
(Continued)

FIG. 6 is a top view of the design of FIG. 1;

FIG. 7 is a bottom view of the design of FIG. 1;

FIG. 8 is a top, right, front perspective view representative of one hook from the design of FIG. 1;

FIG. 9 is a front view of the hook of FIG. 8;

FIG. 10 is a rear view of the hook of FIG. 8;

FIG. 11 is a left side view of the hook of FIG. 8, the right side being a mirror image thereof;

FIG. 12 is a bottom view of the hook of FIG. 8;

FOREIGN PATENT DOCUMENTS

CN 304215042 * 8/2016

FIG. 13 is a top, right, front perspective view of a door banner, according to a second embodiment showing our new design;

FIG. 14 is a front view of the design of FIG. 13;

FIG. 15 is a rear view of the design of FIG. 13;

FIG. 16 is a left side view of the design of FIG. 13, the right side being a mirror image thereof;

OTHER PUBLICATIONS

FUNNISM 2 PCS Boxwood Wreath Welcome Vertical Garden Flag [online], [site visited Mar. 22, 2021], Available from internet, URL:<<https://www.amazon.com/FUNNISM-Double-sided-Farmhouse-Decorations-12-5x18Inch/dp/B08P5V2ML7/>> (Year: 2020).*

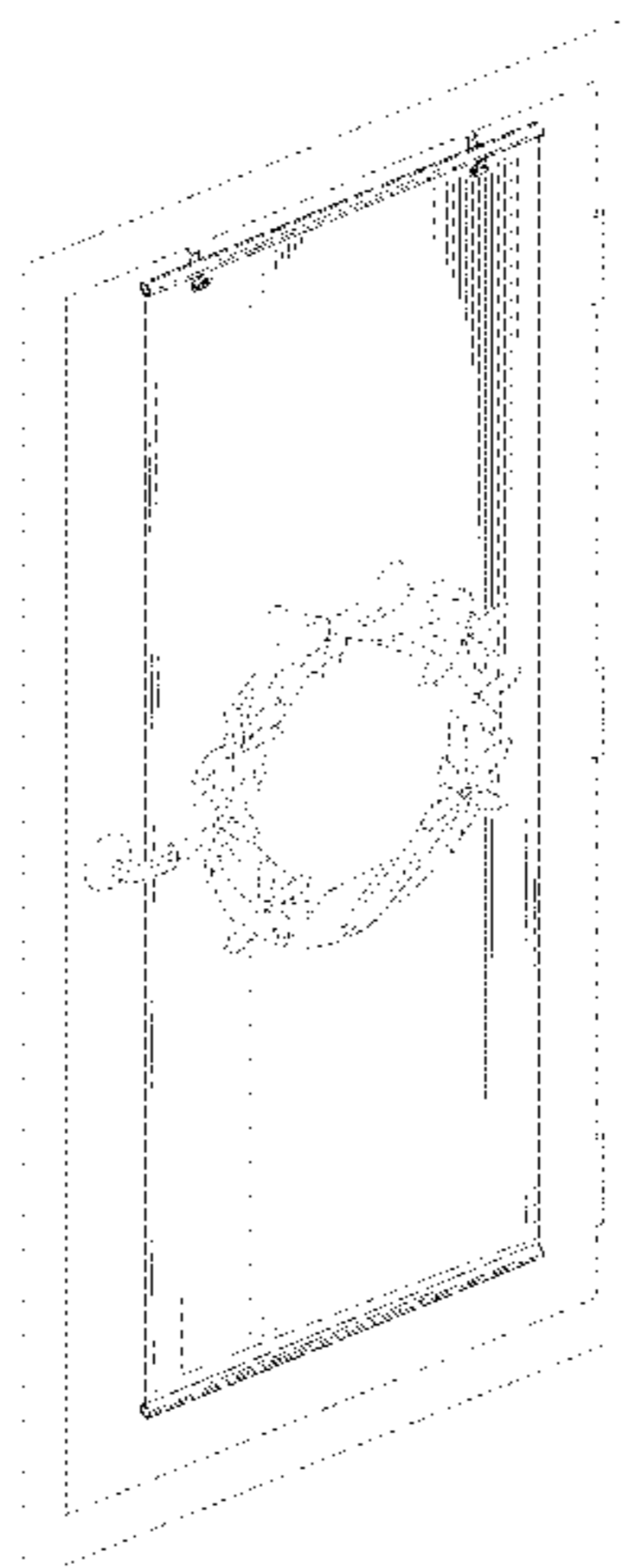
FIG. 17 is an enlarged detail top, right, front perspective view of an upper right corner of the design of FIG. 13, the upper left corner being a mirror image thereof;

FIG. 18 is a top view of the design of FIG. 13; and,

FIG. 19 is a bottom view of the design of FIG. 13.

(Continued)

(Continued)



The hook in FIGS. 8-12 shows one of the hooks of the door banner of the first embodiment to demonstrate areas that would not be seen when combined.

The broken lines in the figures are for the purpose of illustrating portions of the door banner, which form no part of the claimed design. The broken lines in FIGS. 1 and 13 showing a door are to show environment and form no part of the claimed design. The dash-dot broken lines in FIGS. 5 and 17 are demarcating enlarged areas and form no part of the claimed design.

1 Claim, 15 Drawing Sheets

(58) **Field of Classification Search**

CPC F16B 2/00; G09F 17/00; G09F 2017/0041; F16M 13/02

See application file for complete search history.

(56) **References Cited**

U.S. PATENT DOCUMENTS

4,384,606	A *	5/1983	Johnston	E06B 3/80	160/184
D334,682	S *	4/1993	Weeks	D6/575	
D337,468	S *	7/1993	Brzezinski	D6/576	
D371,710	S *	7/1996	Steele	D6/575	
D400,039	S *	10/1998	Wolgan	D6/575	
D438,743	S *	3/2001	Trogolo	D6/575	
6,395,369	B1 *	5/2002	Randone	B32B 5/26	160/10
D494,844	S *	8/2004	Klein	D8/372	

D584,939	S *	1/2009	Snell	D8/367	
D624,847	S *	10/2010	Czyzewski	D11/165	
D745,292	S *	12/2015	Thomas	D6/579	
D746,127	S *	12/2015	Cohen	D8/367	
D798,767	S *	10/2017	Skinner	D11/165	
D874,683	S *	2/2020	Yamamoto	D25/138	
2002/0095842	A1 *	7/2002	Wenz	G09F 17/00	40/610
2002/0121034	A1 *	9/2002	Schmitt	G09F 15/0025	40/604

OTHER PUBLICATIONS

Baby Shower Door Banner [online], [site visited Mar. 22, 2021], Available from internet, URL: <<https://www.victorystore.com/products/baby-shower-door-banner-buck-or-doe-vinyl-door-banner>> (Year: 2021).*

Heritage Lace Snowman 76-Inch Rod Pocket Window Curtain Panel [online], [site visited Mar. 22, 2021], Available from internet, URL: <<https://www.bedbathandbeyond.com/store/product/heritage-lace-snowman-rod-pocket-window-curtain-panel/3350767?keyword=door+curtain&wmSkipPwa=1>> (Year: 2021).*

1st Choice Pack of 2 Over-The-Door Hook [online], [site visited Mar. 22, 2021], Available from internet, URL: <https://www.amazon.com/Premium-Life-Over-Door-White/dp/B00TR5QSFA/ref=sr_1_5?dchild=1&keywords=1st+Choice+Pack+of+2+Over-The-Door+Hook&qid=1616418108&sr=8-5> (Year: 2015).*

IVAR Hook for side unit [online], [site visited Mar. 22, 2021], Available from internet, URL: <<https://www.ikea.com/us/en/p/ivar-hook-for-side-unit-gray-00304780/?pp=1>> (Year: 2017).*

* cited by examiner

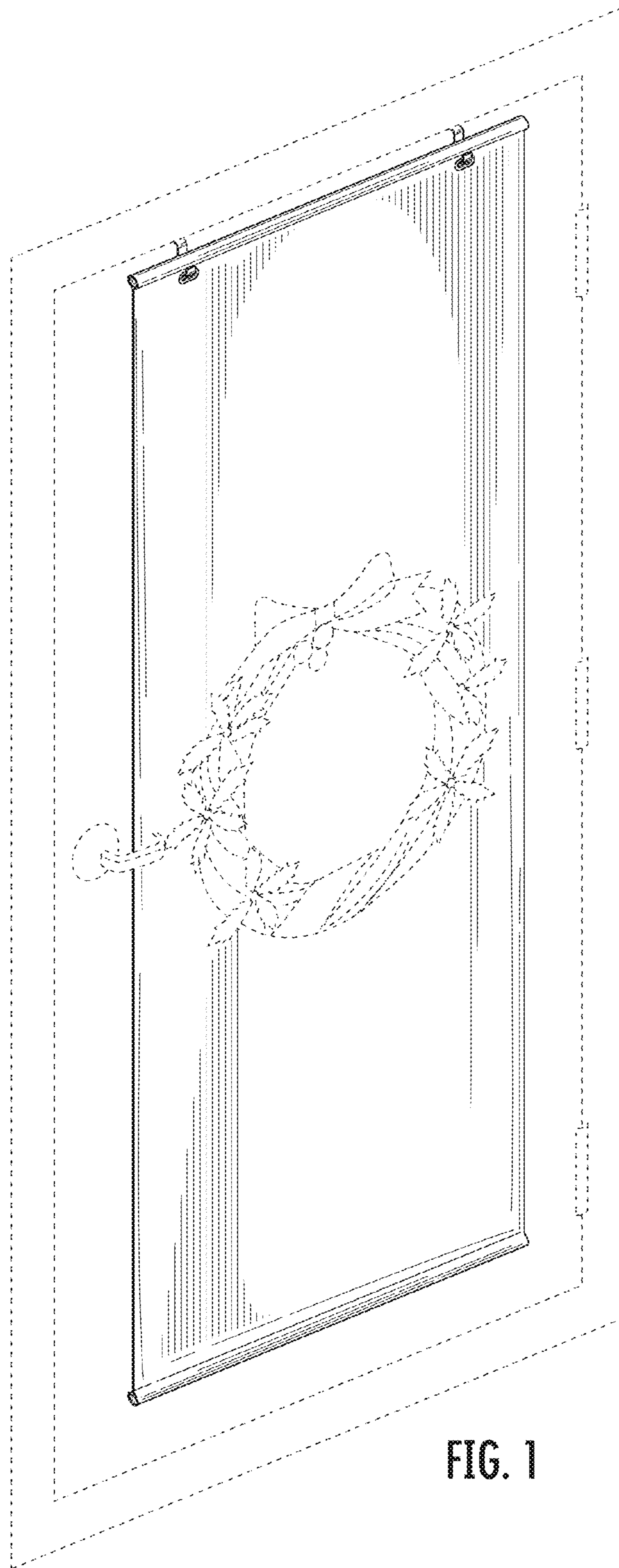


FIG. 1

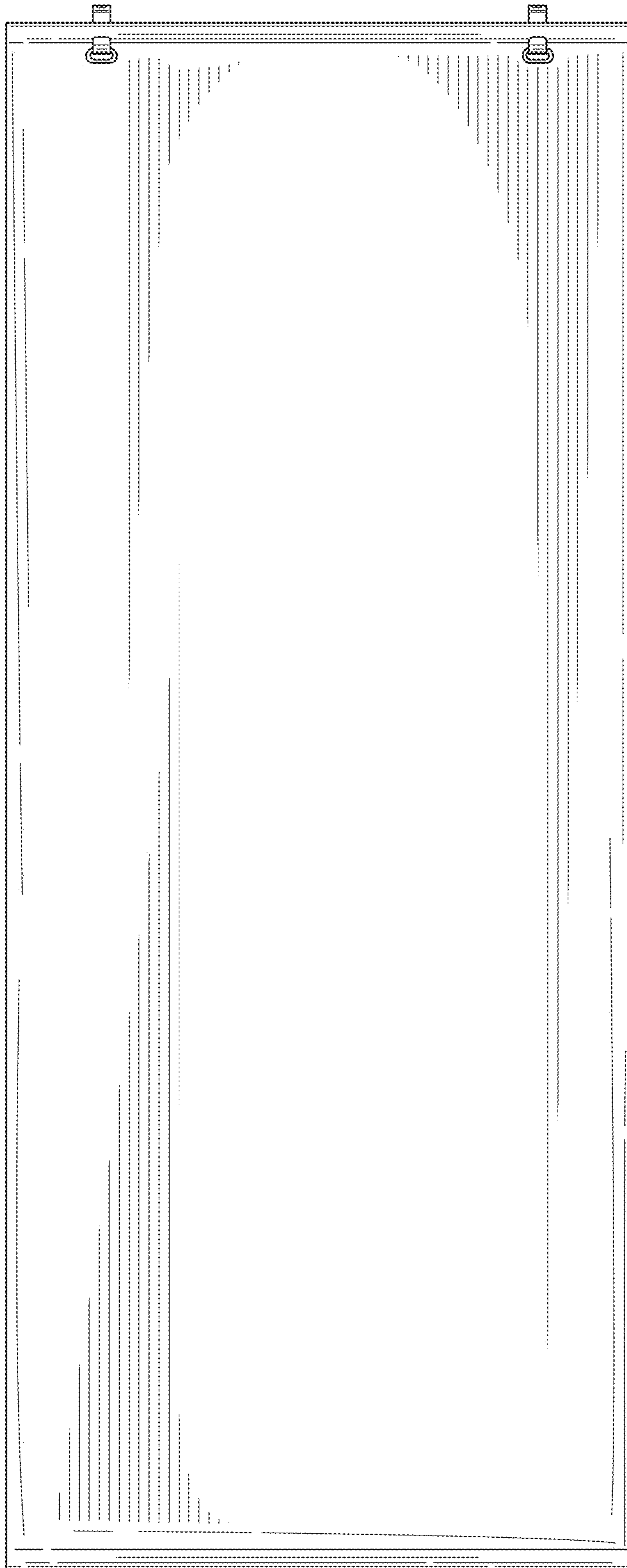


FIG. 2

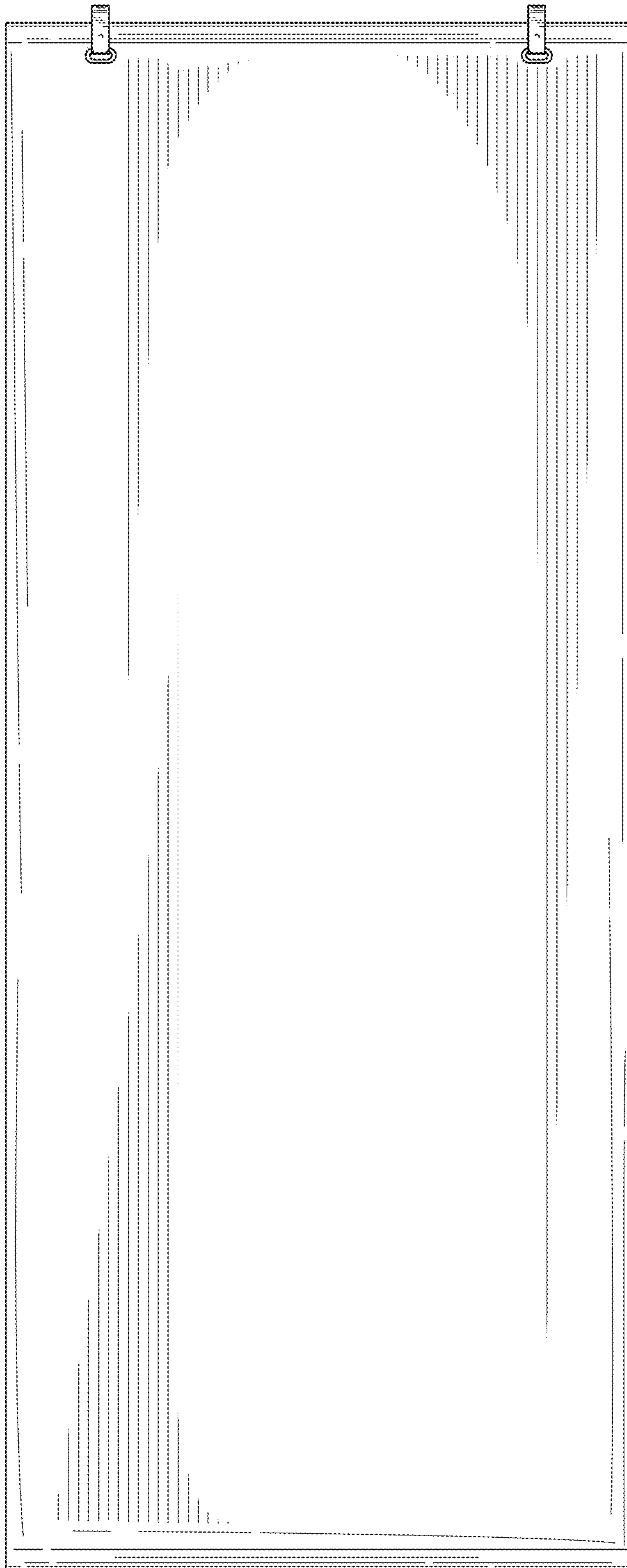


FIG. 3

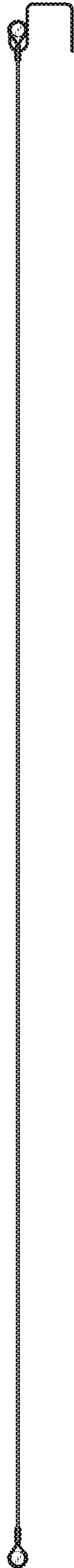


FIG. 4

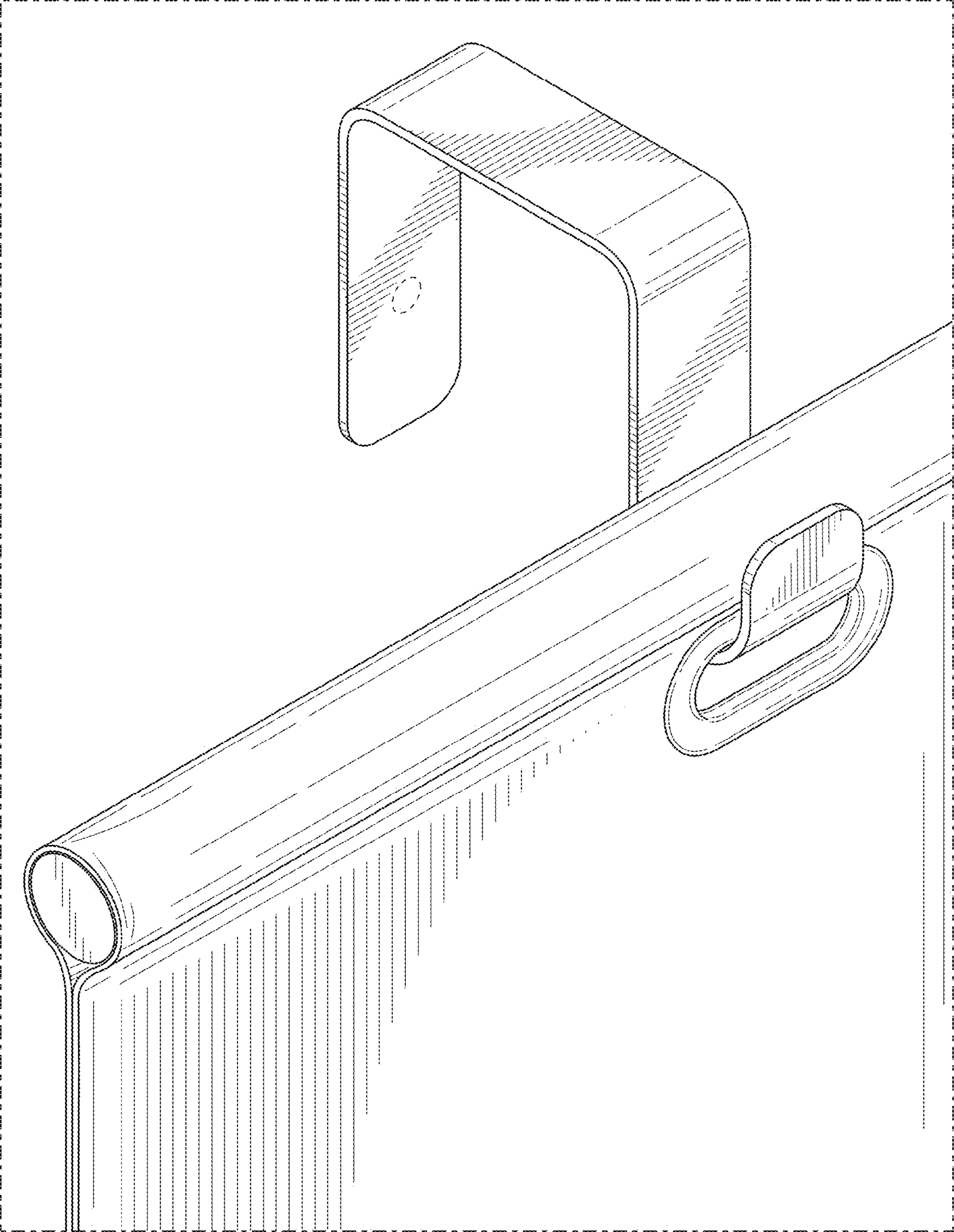


FIG. 5

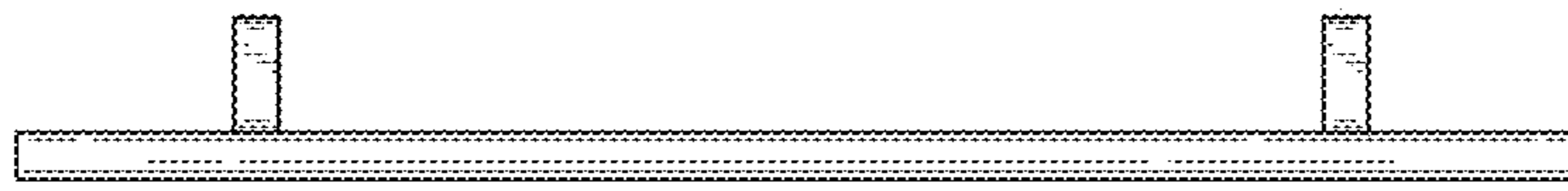


FIG. 6

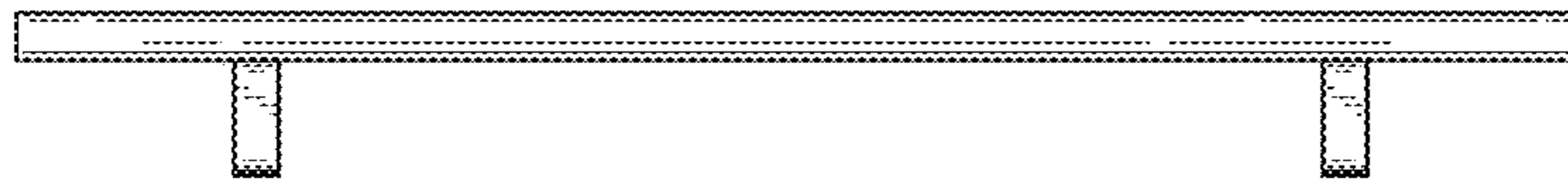


FIG. 7

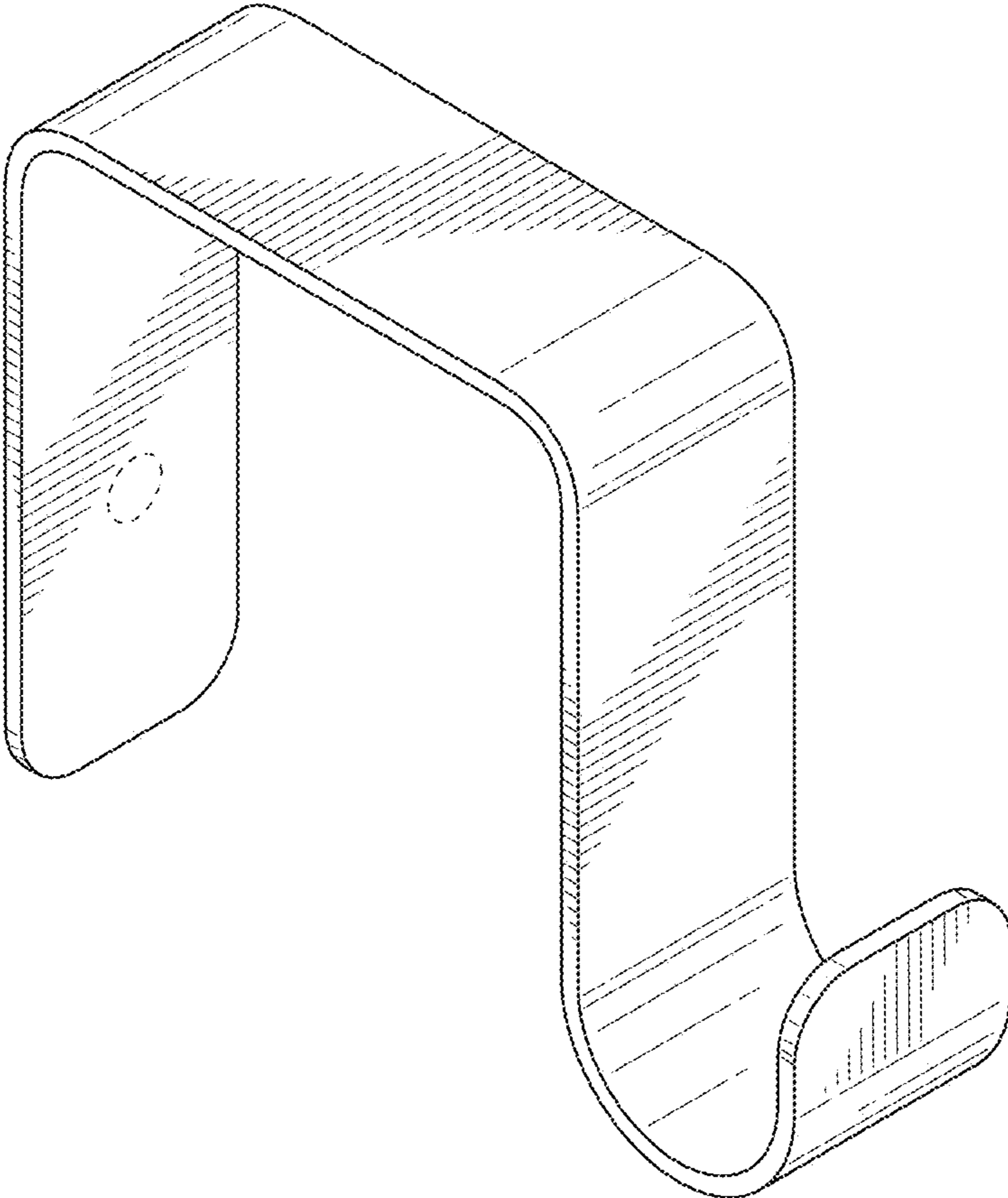


FIG. 8

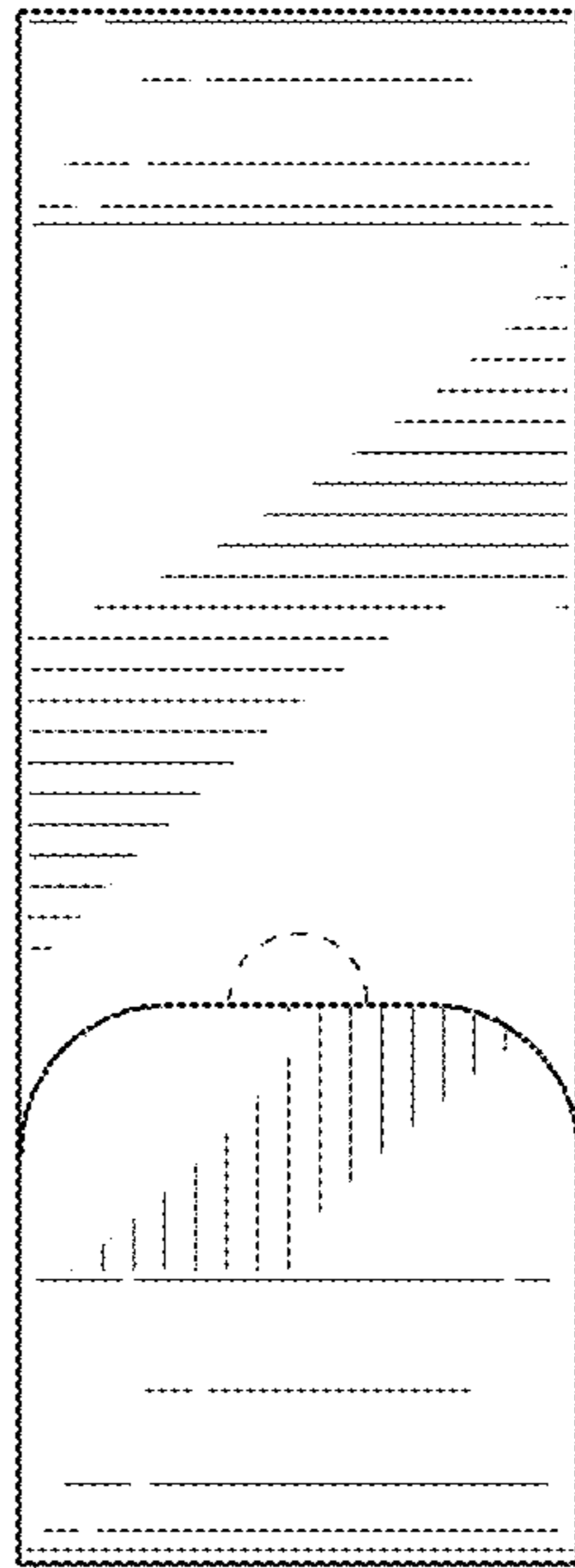


FIG. 9

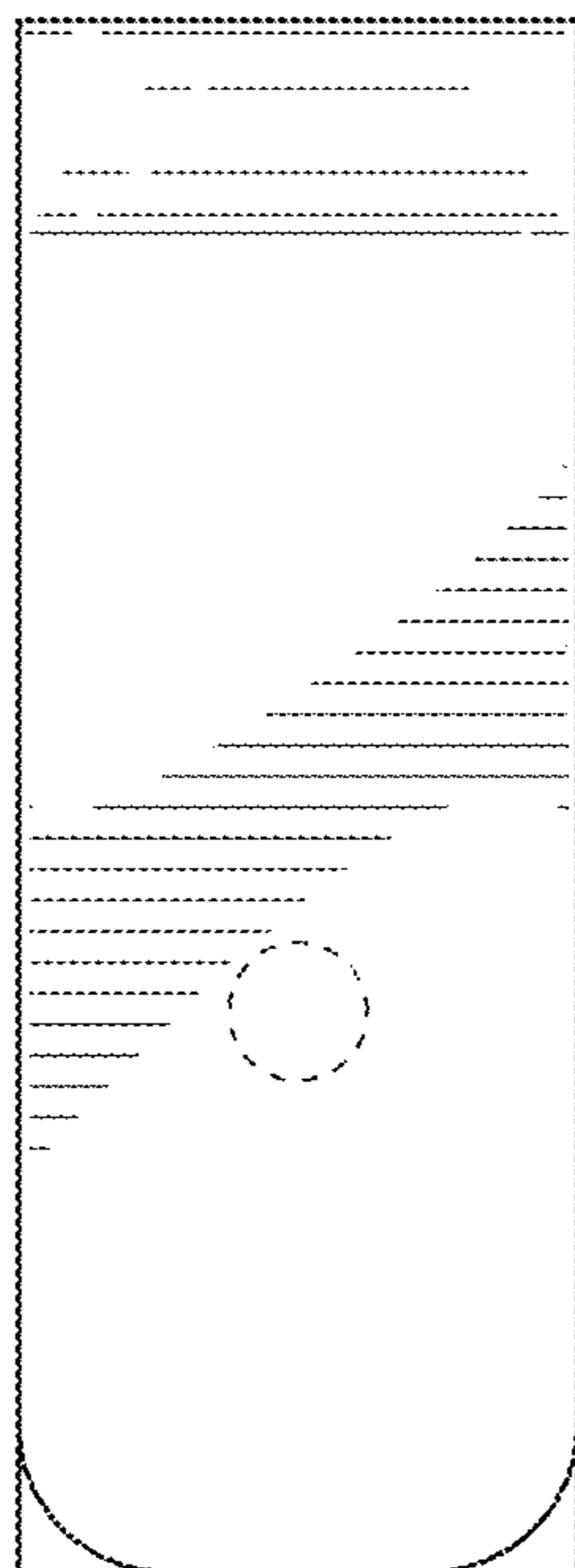


FIG. 10

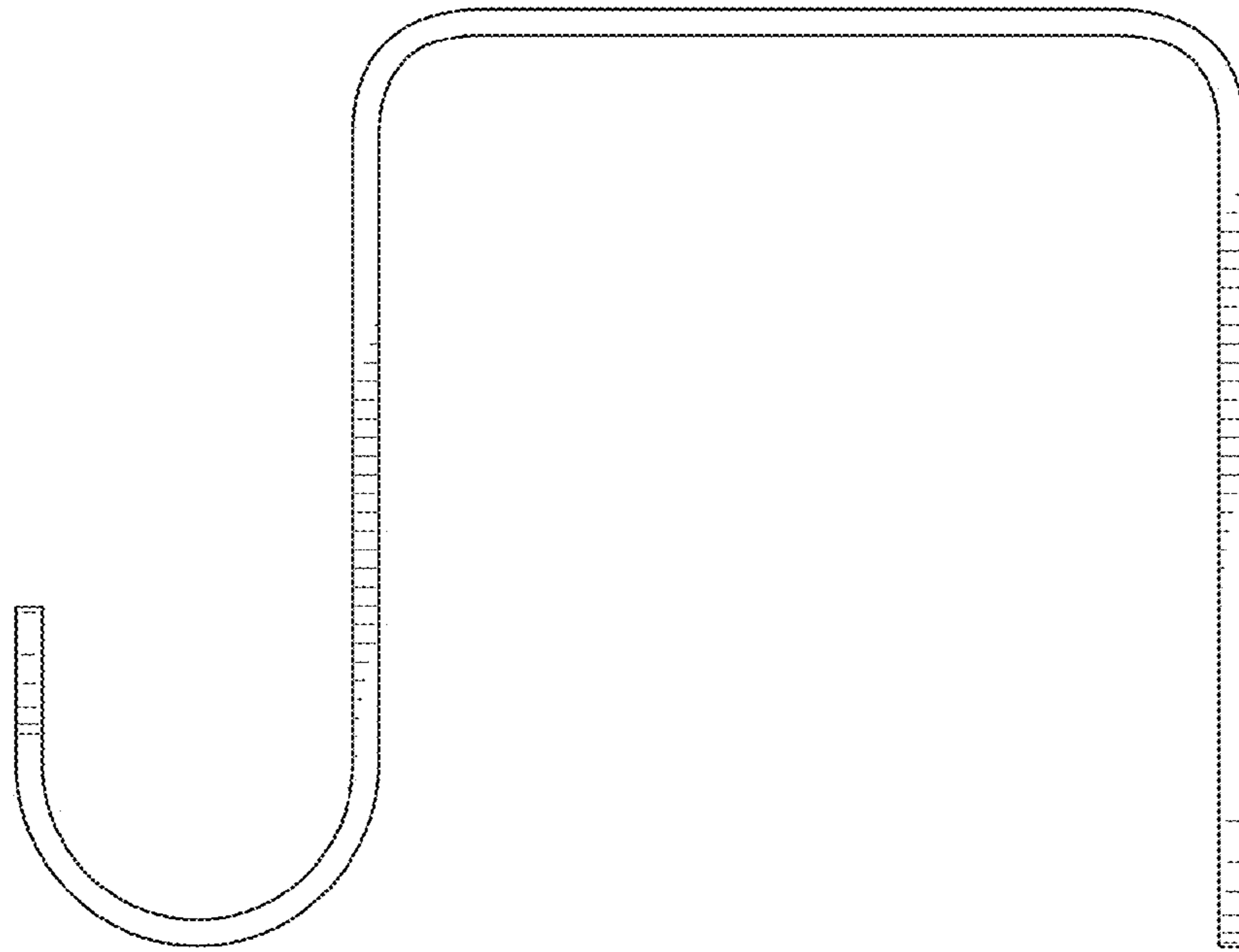


FIG. 11

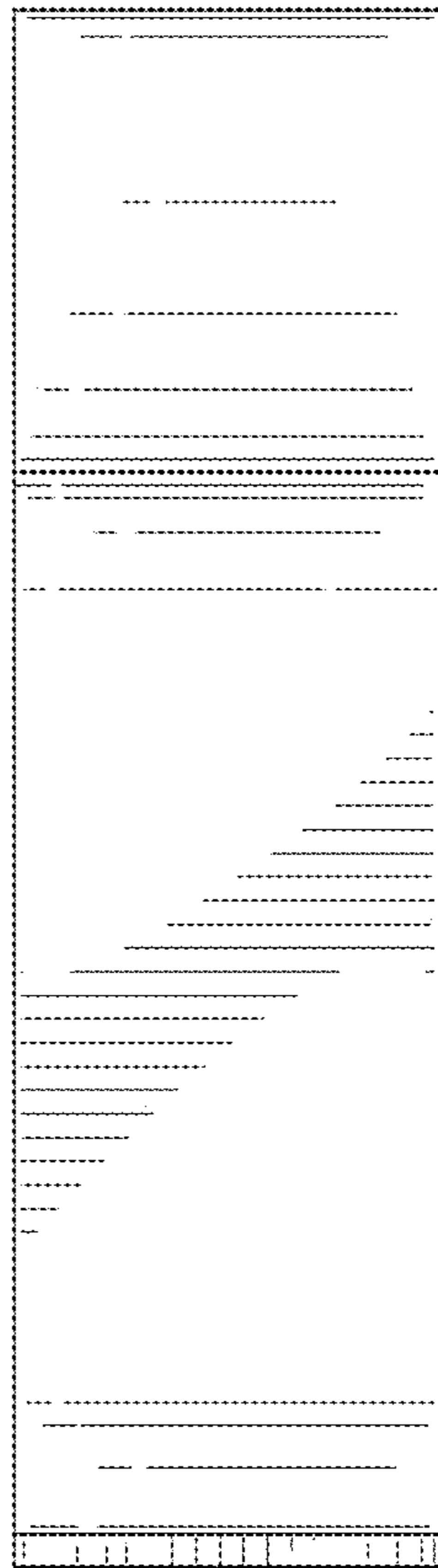


FIG. 12

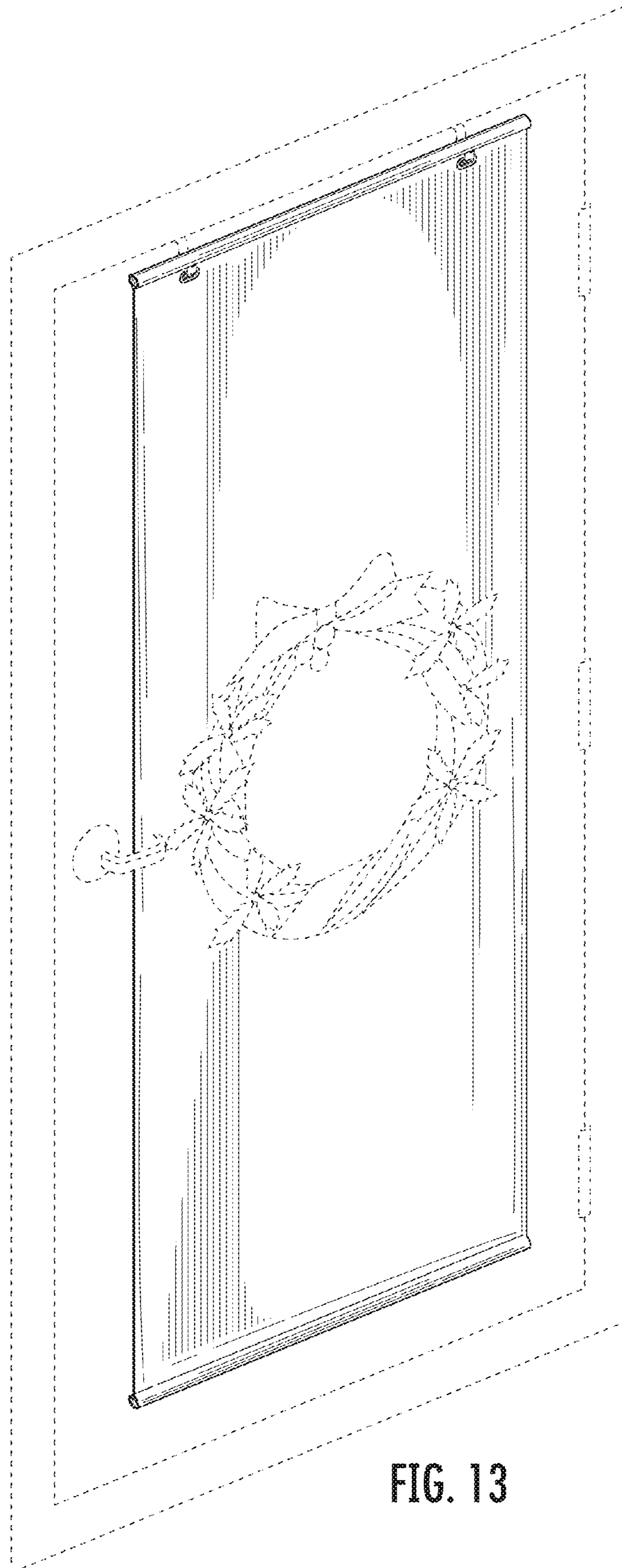


FIG. 13

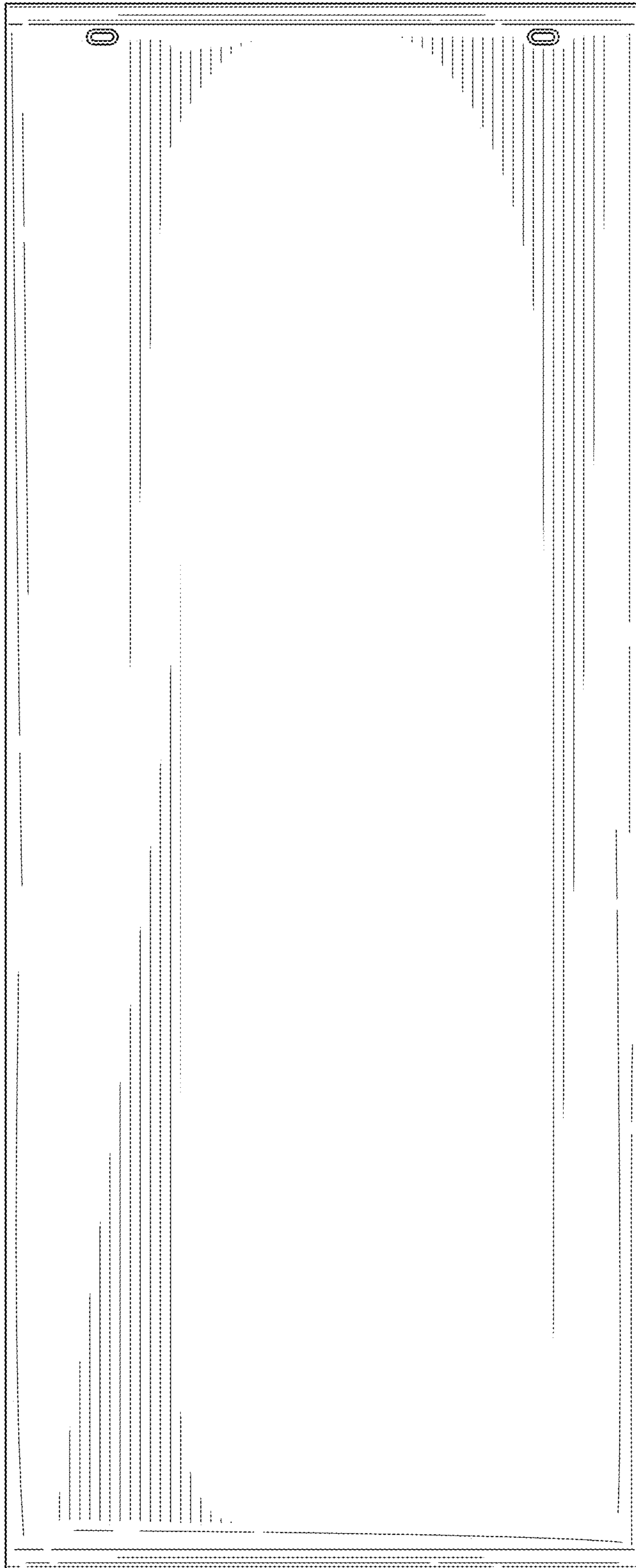


FIG. 14

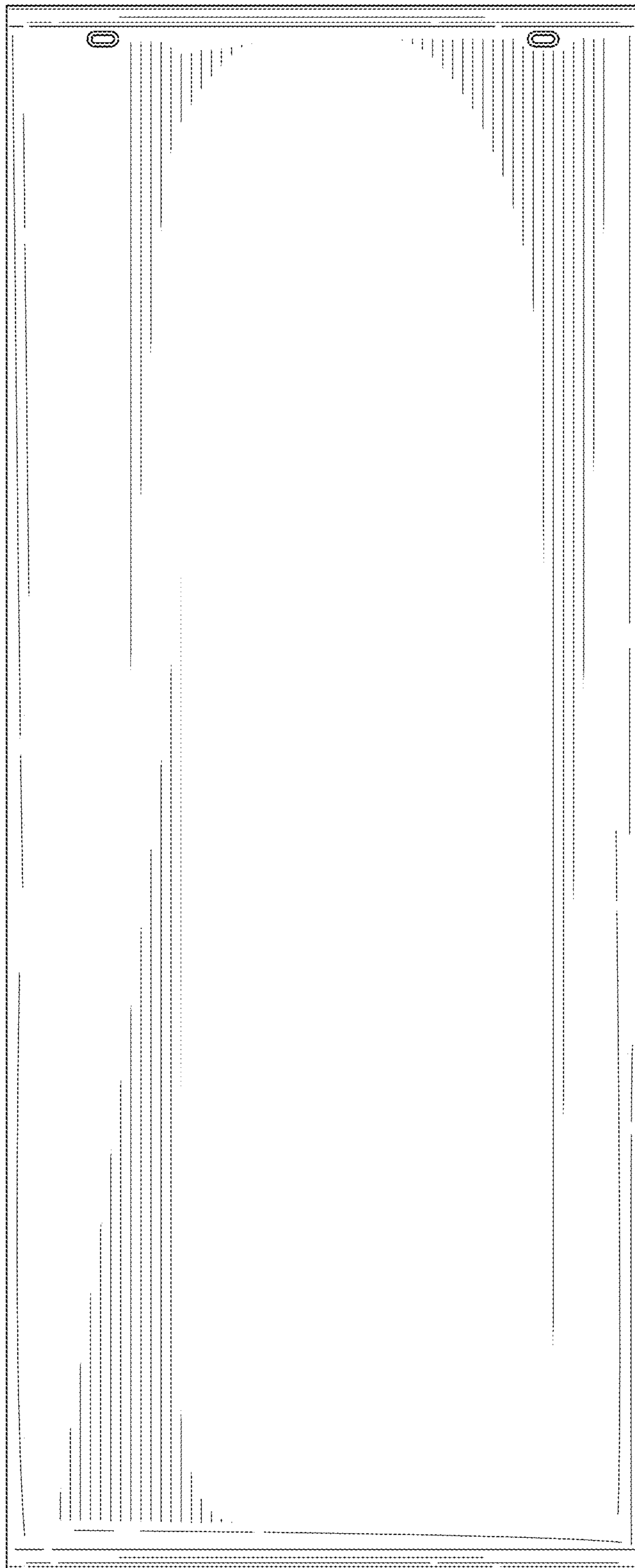


FIG. 15



FIG. 16

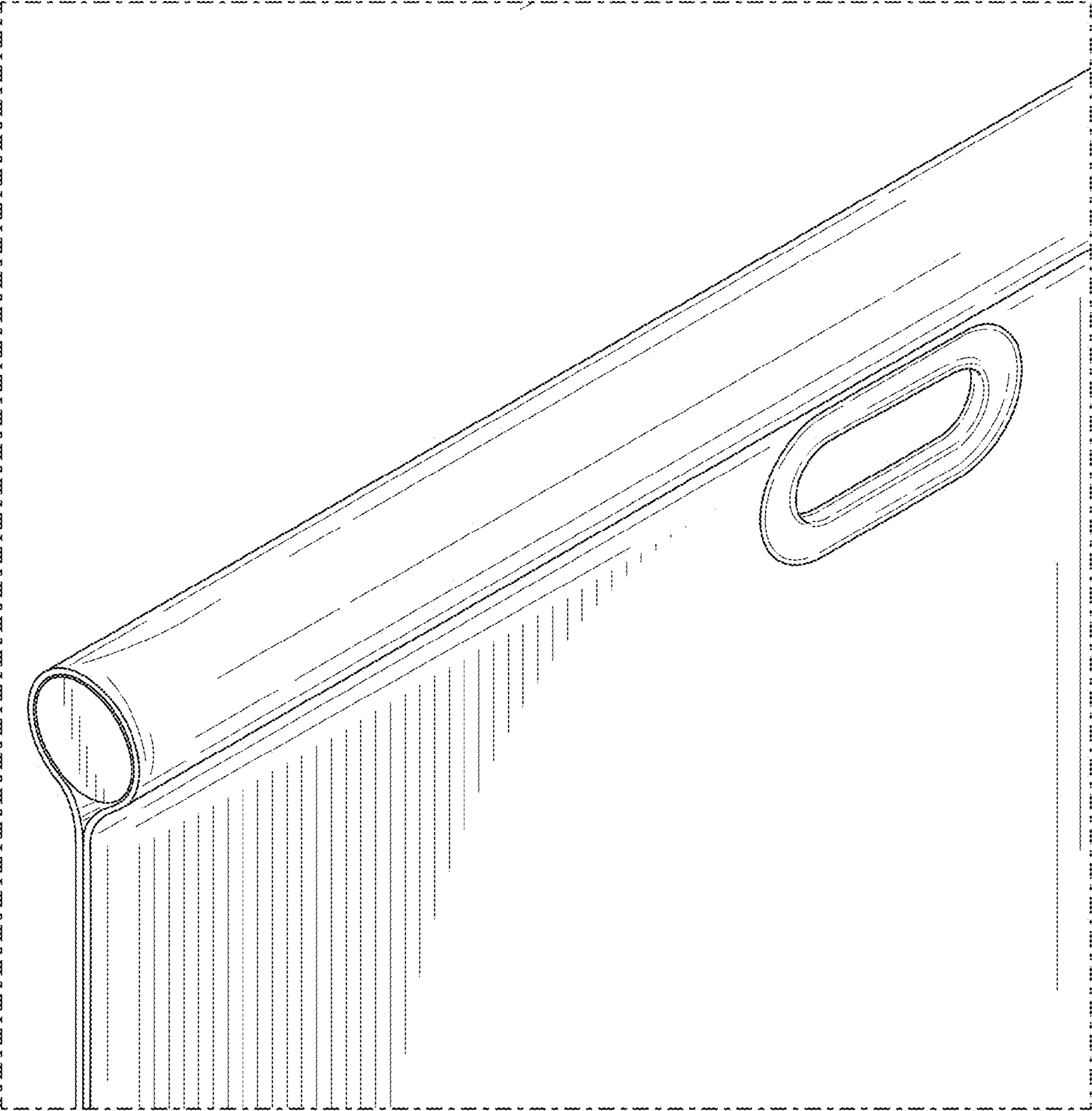


FIG. 17

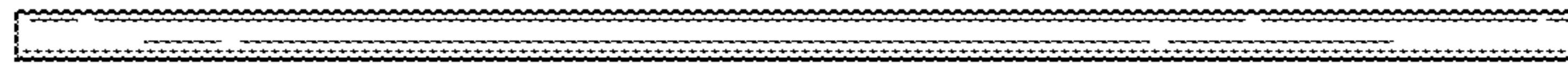


FIG. 18

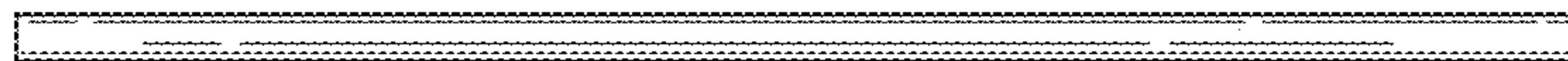


FIG. 19