



US00D925392S

(12) **United States Design Patent** (10) **Patent No.:** **US D925,392 S**  
**Roecker et al.** (45) **Date of Patent:** **\*\* Jul. 20, 2021**

(54) **PLANT TRAY**

(56) **References Cited**

(71) Applicant: **Pipp Mobile Storage Systems, Inc.**,  
Walker, MI (US)

U.S. PATENT DOCUMENTS

(72) Inventors: **Zachary Roecker**, Denver, CO (US);  
**Delos A. Rockwell**, Lowell, MI (US)

1,360,669 A	11/1920	Nielsen
1,947,055 A	2/1934	Moorman
2,134,647 A	10/1938	Savage
2,524,246 A	10/1950	Young
3,024,569 A	3/1962	Nearing et al.
3,314,192 A	4/1967	Park
D218,352 S	8/1970	Hoch
3,608,240 A	9/1971	Gunn
D228,606 S	10/1973	Blount
D242,266 S	11/1976	Beh
D244,115 S	4/1977	Dilyard
4,052,816 A	10/1977	Perez
D274,205 S	6/1984	Kates
5,016,772 A	5/1991	Wilk
D340,339 S	10/1993	Kean et al.

(73) Assignee: **Pipp Mobile Storage Systems, Inc.**,  
Walker, MI (US)

(\*\*) Term: **15 Years**

(21) Appl. No.: **29/763,063**

(22) Filed: **Dec. 21, 2020**

(Continued)

**Related U.S. Application Data**

FOREIGN PATENT DOCUMENTS

(60) Division of application No. 29/663,556, filed on Sep. 17, 2018, now Pat. No. Des. 906,876, which is a continuation of application No. PCT/IB2018/054857, filed on Jun. 29, 2018.

DE	2850764	5/1980
WO	2013/120140	8/2013

(Continued)

(51) **LOC (13) Cl.** ..... **11-02**

*Primary Examiner* — Elizabeth A. Albert

(52) **U.S. Cl.**

(74) *Attorney, Agent, or Firm* — Gardner, Linn, Burkhart & Ondersma LLP

USPC ..... **D11/155**

(57) **CLAIM**

(58) **Field of Classification Search**

The ornamental design for a plant tray, as shown and described.

USPC ..... D11/143–156, 164; D3/304, 307; D7/554.3; D6/403–405, 556–558

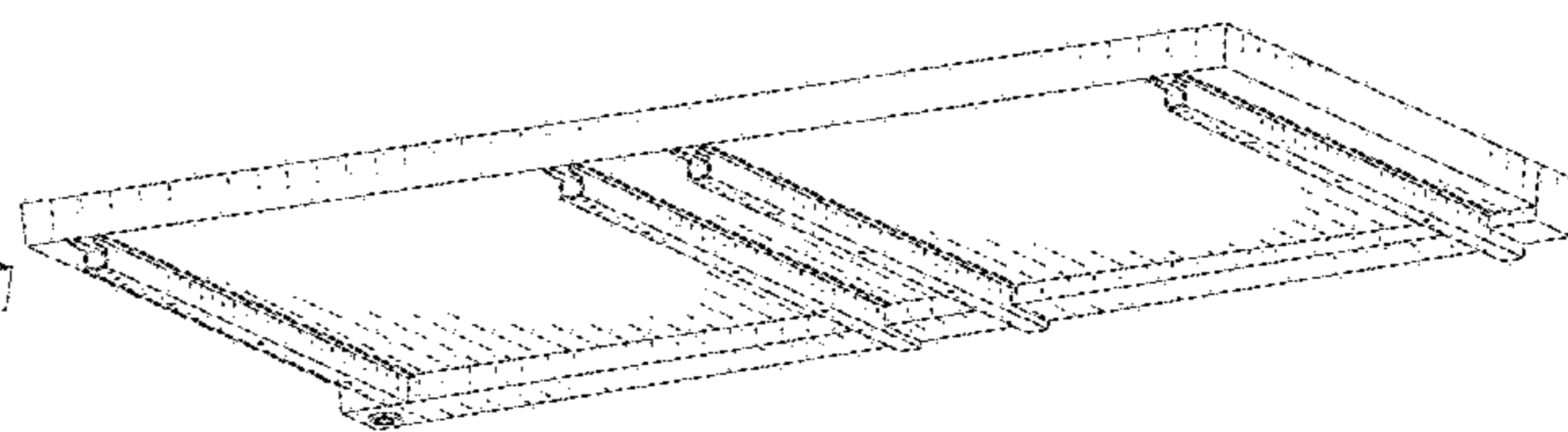
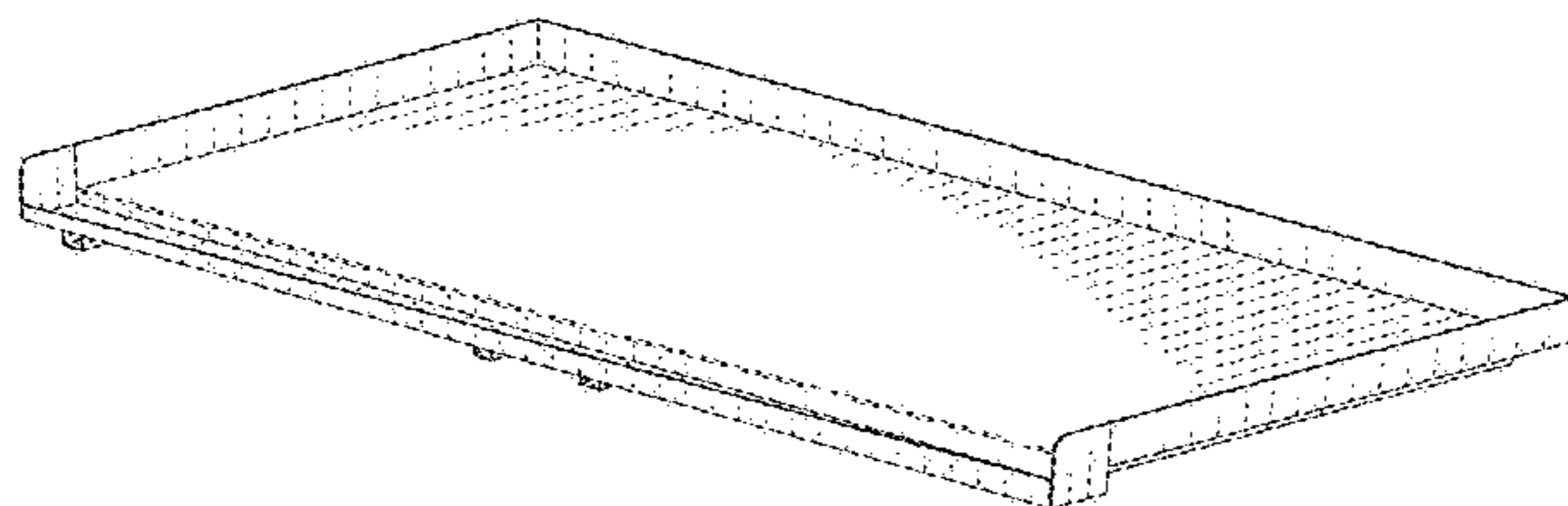
**DESCRIPTION**

CPC . A47G 7/02; A47G 7/04; A47G 7/041; A47G 7/042; A47G 7/044; A47G 7/045; A47G 7/047; A47G 7/06; A47G 7/063; A47G 7/08; A47G 2007/048; A01G 2009/003; A01G 9/02; A01G 9/021; A01G 9/022; A01G 9/026; A01G 9/028; A01G 9/029; A01G 9/0293; A01G 9/0299; A01G 9/033; A01G 9/04; A01G 9/045; A01G 9/047

FIG. 1 is a front perspective view of a plant tray showing our new design;  
FIG. 2 is a bottom front perspective view thereof;  
FIG. 3 is a rear perspective view thereof, viewed from below and to the right;  
FIG. 4 is a front elevation thereof;  
FIG. 5 is a left side elevation thereof; and,  
FIG. 6 is a right side elevation thereof.

See application file for complete search history.

**1 Claim, 2 Drawing Sheets**



(56)

References Cited

U.S. PATENT DOCUMENTS

5,252,108 A 10/1993 Banks  
 D347,360 S 5/1994 Wheeler  
 5,337,517 A 8/1994 Karthaus et al.  
 5,409,510 A 4/1995 Houweling  
 5,425,198 A 6/1995 Coy  
 D366,170 S 1/1996 Temple  
 5,533,954 A 7/1996 Zogg  
 D377,294 S 1/1997 Brady  
 5,673,511 A 10/1997 Holtkamp, Jr.  
 D409,449 S 5/1999 Cornelissen  
 5,974,733 A 11/1999 Gyory  
 6,138,403 A 10/2000 Bartlett, Jr.  
 D433,662 S 11/2000 Fanshaw et al.  
 6,243,985 B1 6/2001 Miller  
 D453,309 S \* 2/2002 Katz ..... D11/155  
 6,401,994 B1 6/2002 Kircher et al.  
 D465,349 S 11/2002 Sharpton, III  
 6,601,342 B2 8/2003 Dummer  
 6,622,423 B1 9/2003 Riccardi  
 7,082,718 B2 8/2006 Dummer  
 7,093,391 B2 8/2006 Eakin  
 7,156,243 B2 1/2007 Henning et al.  
 7,228,987 B2 6/2007 Cross  
 D577,223 S 9/2008 Durmon, Jr.  
 D578,811 S 10/2008 Gervasi  
 7,891,507 B2 2/2011 Shetler  
 D666,122 S 8/2012 Colless et al.  
 8,555,547 B2 10/2013 Hashimoto et al.  
 D698,182 S 1/2014 Schall  
 8,720,110 B2 5/2014 Hayes et al.  
 D724,357 S 3/2015 Lim  
 8,984,808 B2 3/2015 Daniels et al.

9,004,298 B2 4/2015 Sichel  
 9,017,552 B2 4/2015 Peters, Jr. et al.  
 9,032,664 B2 5/2015 Yusibov et al.  
 D732,323 S 6/2015 Ho et al.  
 D734,958 S 7/2015 Gosling et al.  
 D755,564 S 5/2016 Lee et al.  
 D762,402 S 8/2016 Hsu  
 D764,205 S 8/2016 Macari et al.  
 D767,340 S 9/2016 Lau et al.  
 9,468,156 B2 10/2016 Sichel  
 9,468,294 B2 10/2016 Fu  
 D785,605 S 5/2017 Hochman et al.  
 9,639,124 B2 5/2017 Wang et al.  
 9,743,593 B1 8/2017 Lawson et al.  
 9,844,188 B2 12/2017 Legerton  
 9,854,750 B2 1/2018 Brusatore  
 D823,662 S 7/2018 Nilsson  
 2003/0159344 A1 8/2003 Vandewiele et al.  
 2003/0188476 A1 10/2003 Riccardi  
 2004/0222178 A1 11/2004 Sparkowski  
 2006/0162246 A1 7/2006 Okabe et al.  
 2006/0168886 A1 8/2006 McNulty et al.  
 2009/0235583 A1 9/2009 Colless et al.  
 2009/0266775 A1 10/2009 Vanderhoek et al.  
 2010/0175319 A1 7/2010 Meeks  
 2012/0011768 A1 1/2012 Martinez  
 2012/0317879 A1 12/2012 Morgan et al.  
 2015/0135588 A1 5/2015 Gergek  
 2017/0359964 A1 12/2017 Persico

FOREIGN PATENT DOCUMENTS

WO 2015/027267 3/2015  
 WO 2016/014843 1/2016

\* cited by examiner

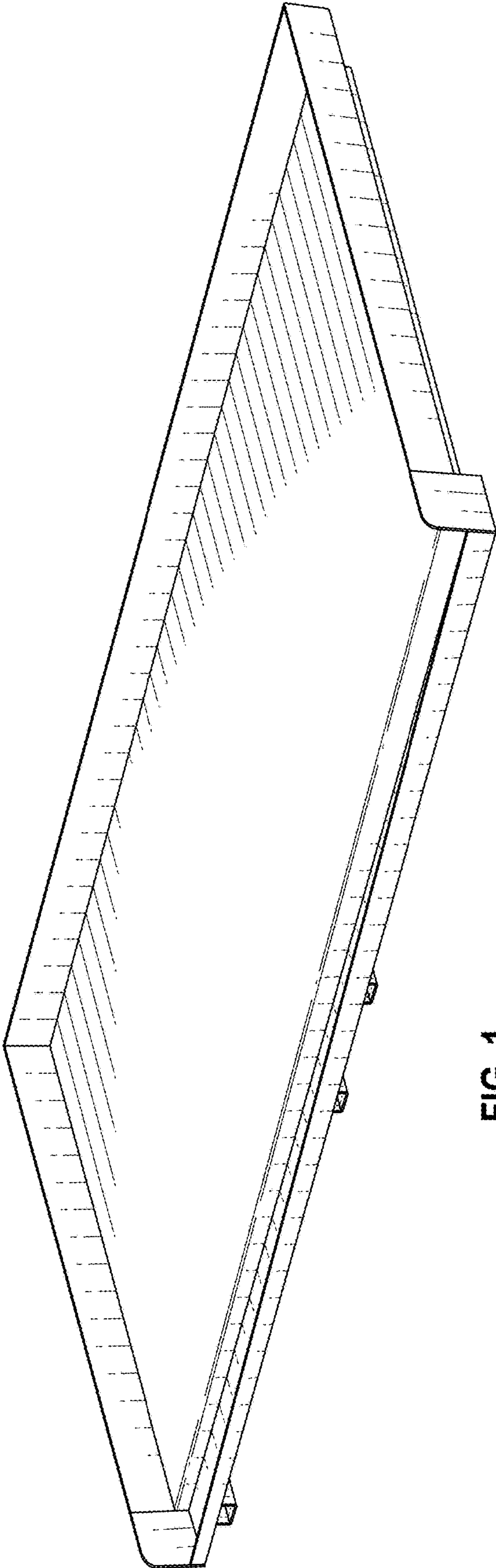


FIG. 1

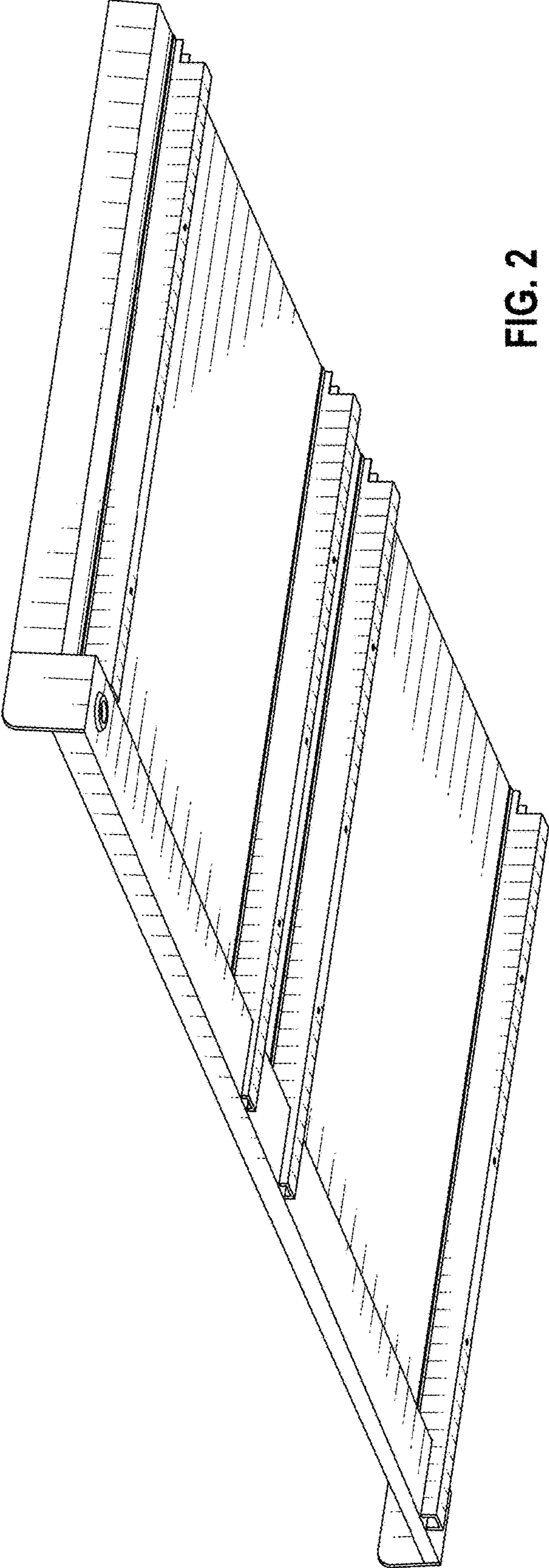


FIG. 2

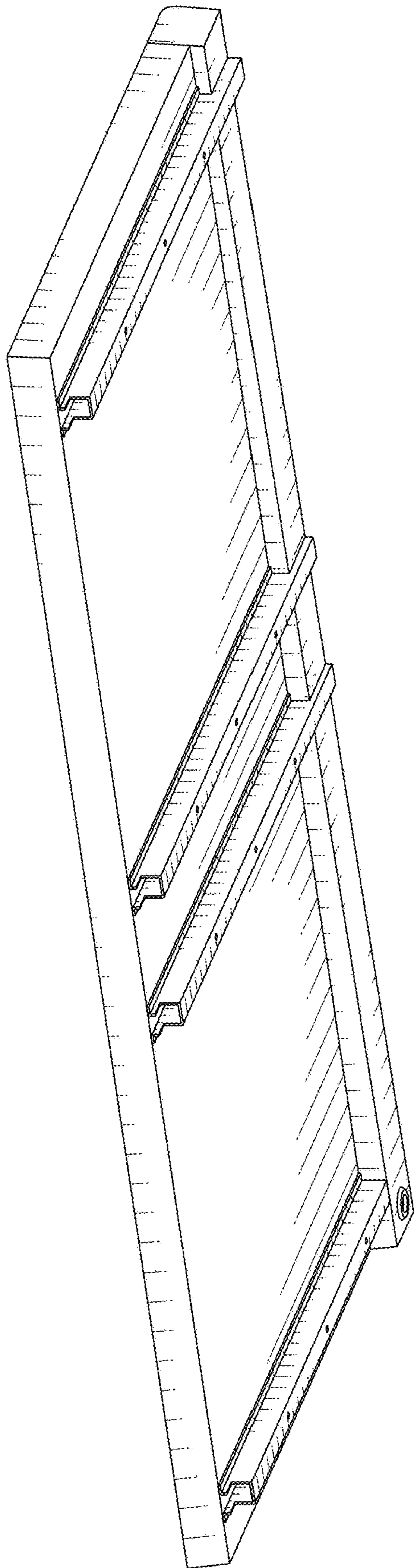


FIG. 3

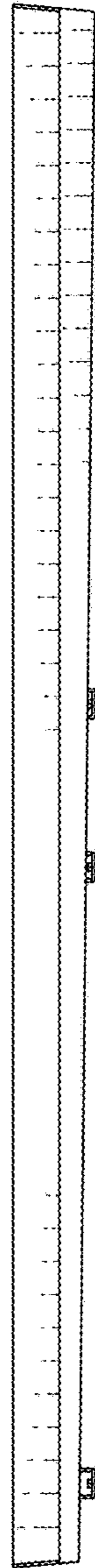


FIG. 4

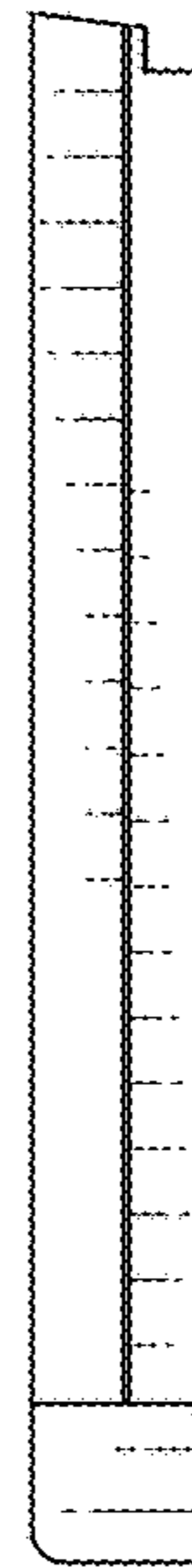


FIG. 5



FIG. 6