

US00D925389S

(12) **United States Design Patent** (10) **Patent No.:** **US D925,389 S**
Gurung (45) **Date of Patent:** **** Jul. 20, 2021**

(54) **FINGER RING**

FOREIGN PATENT DOCUMENTS

(71) Applicant: **TASAKI & Co., Ltd.**, Kobe (JP)

CN 305894857 * 7/2020
CN 305894859 * 7/2020

(72) Inventor: **Prabal Gurung**, New York, NY (US)

(**) Term: **15 Years**

(21) Appl. No.: **35/509,913**

(22) Filed: **Jan. 31, 2020**

(80) **Hague Agreement Data**

Int. Filing Date: **Jan. 31, 2020**

Int. Reg. No.: **DM/206215**

Int. Reg. Date: **Jan. 31, 2020**

Int. Reg. Pub. Date: **Jul. 31, 2020**

(51) **LOC (13) Cl.** **11-01**

(52) **U.S. Cl.**
USPC **D11/34**

(58) **Field of Classification Search**
USPC D11/1, 26-45, 78, 79, 85, 86
CPC A44C 9/00-02
See application file for complete search history.

(56) **References Cited**

U.S. PATENT DOCUMENTS

D148,869 S	*	3/1948	Katz	D11/40
D149,000 S	*	3/1948	Katz	D11/40
D150,445 S	*	8/1948	Philippe	D11/40
D150,703 S	*	8/1948	Katz	D11/40
D154,388 S	*	7/1949	Katz	D11/40
D157,528 S	*	2/1950	Philippe	D11/40
D160,336 S	*	10/1950	Philippe	D11/78
D167,851 S	*	9/1952	Philippe	D11/17
D176,523 S	*	1/1956	Katz	D11/29
D194,058 S	*	11/1962	Powers	D11/29
D505,637 S	*	5/2005	Lev Sercarz	D11/34
D882,448 S	*	4/2020	Gurung	D11/26
D885,241 S	*	5/2020	Gurung	D11/79

OTHER PUBLICATIONS

Tasaki Cove Ring RPI-4801, no date available, [online]. [site visited Mar. 24, 2021]. Retrieved from url:https://www.tasaki-global.com/jewellery/atelier/tasaki_atelier/cove/RPI-4801-18KWG/?jewellery=ring https://www.facebook.com/TASAKI.GLOBAL/photos/a.486464961915534/746873802541314/?type=3&theater (Year: 2021).*
Zhuanlan Zhihu Tasaki balance 10, Dec. 19, 2020, [online], [site visited Feb. 9, 2021]. Retrieved from url:https://zhuanlan.zhihu.com/p/338149722 (Year: 2020).*
Boat International How art is inspiring, Lucia Ferigutti, Jul. 1, 2019, [online]. [site visited Feb. 9, 2021]. Retrieved from url:https://www.boatinternational.com/luxury-yacht-life/lifestyle/how-art-is-inspiring-this-seasons-jewellery--40943 (Year: 2019).*

* cited by examiner

Primary Examiner — Michelle E. Wilson
Assistant Examiner — Tracey J Bell

(57) **CLAIM**

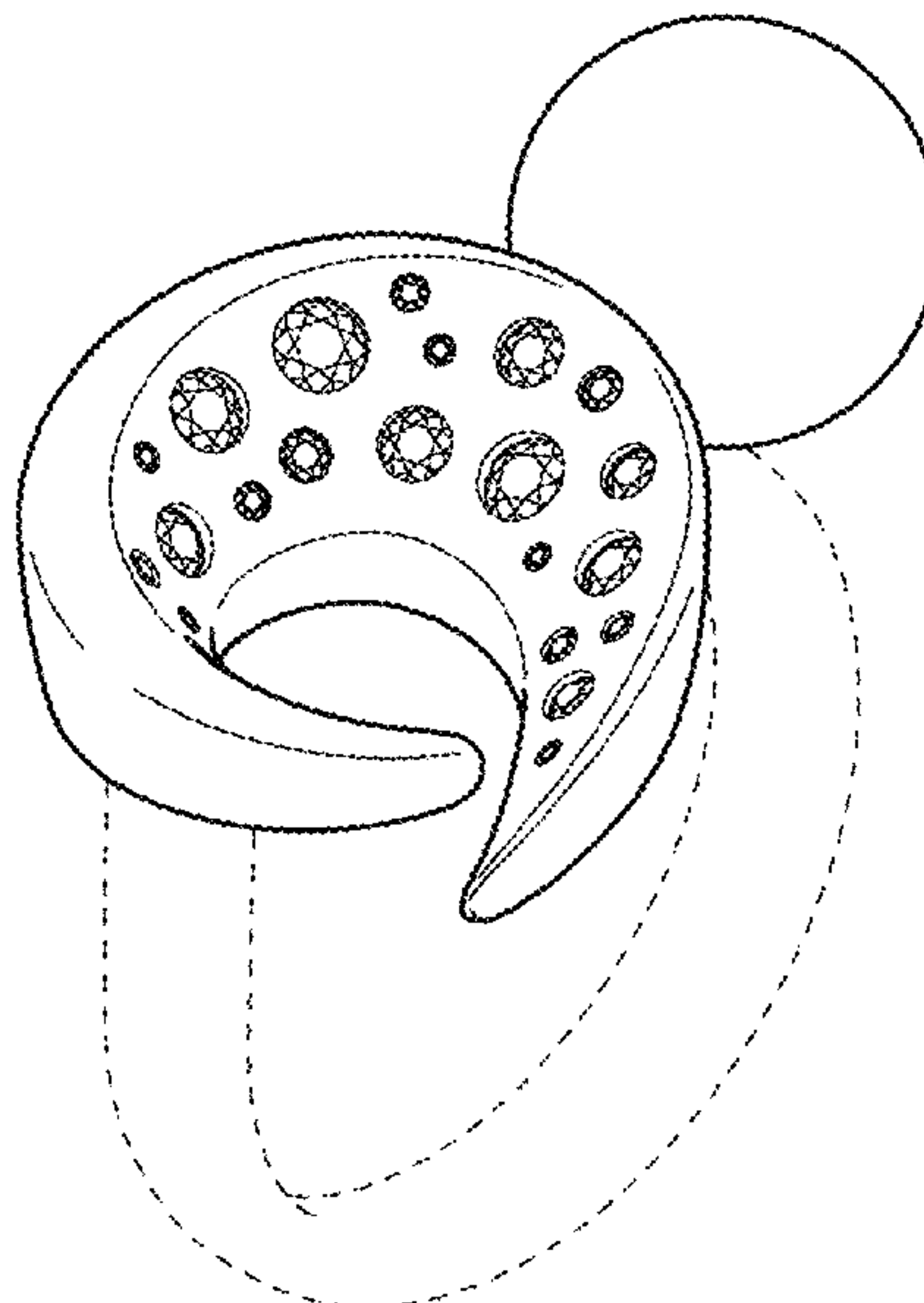
The ornamental design for a finger ring, as shown and described.

DESCRIPTION

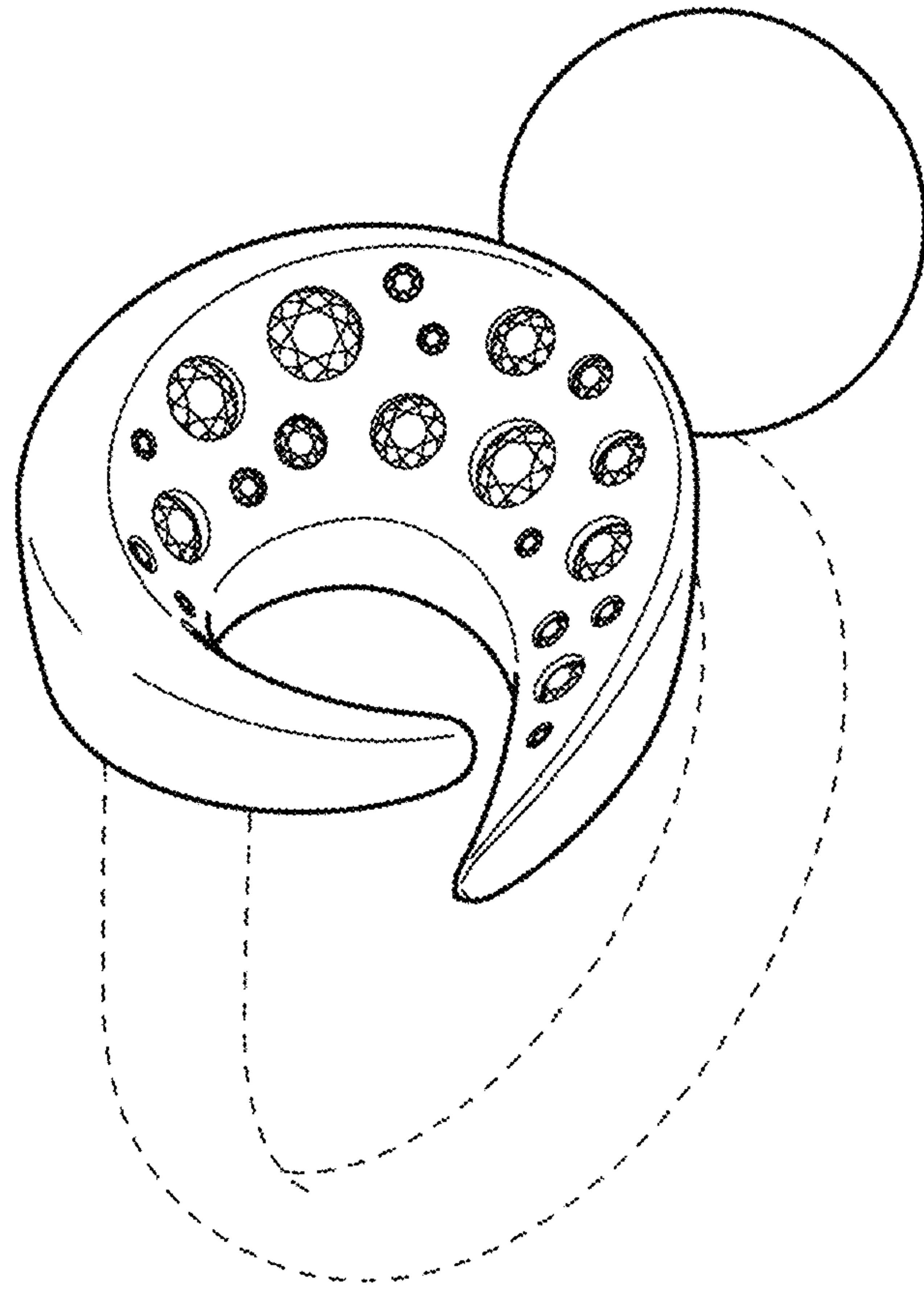
- 1. Finger ring
- 1.1 : Perspective
- 1.2 : Front
- 1.3 : Back
- 1.4 : Top
- 1.5 : Bottom
- 1.6 : Right
- 1.7 : Left

The broken lines depict portions of the finger ring that form no part of the claimed design.

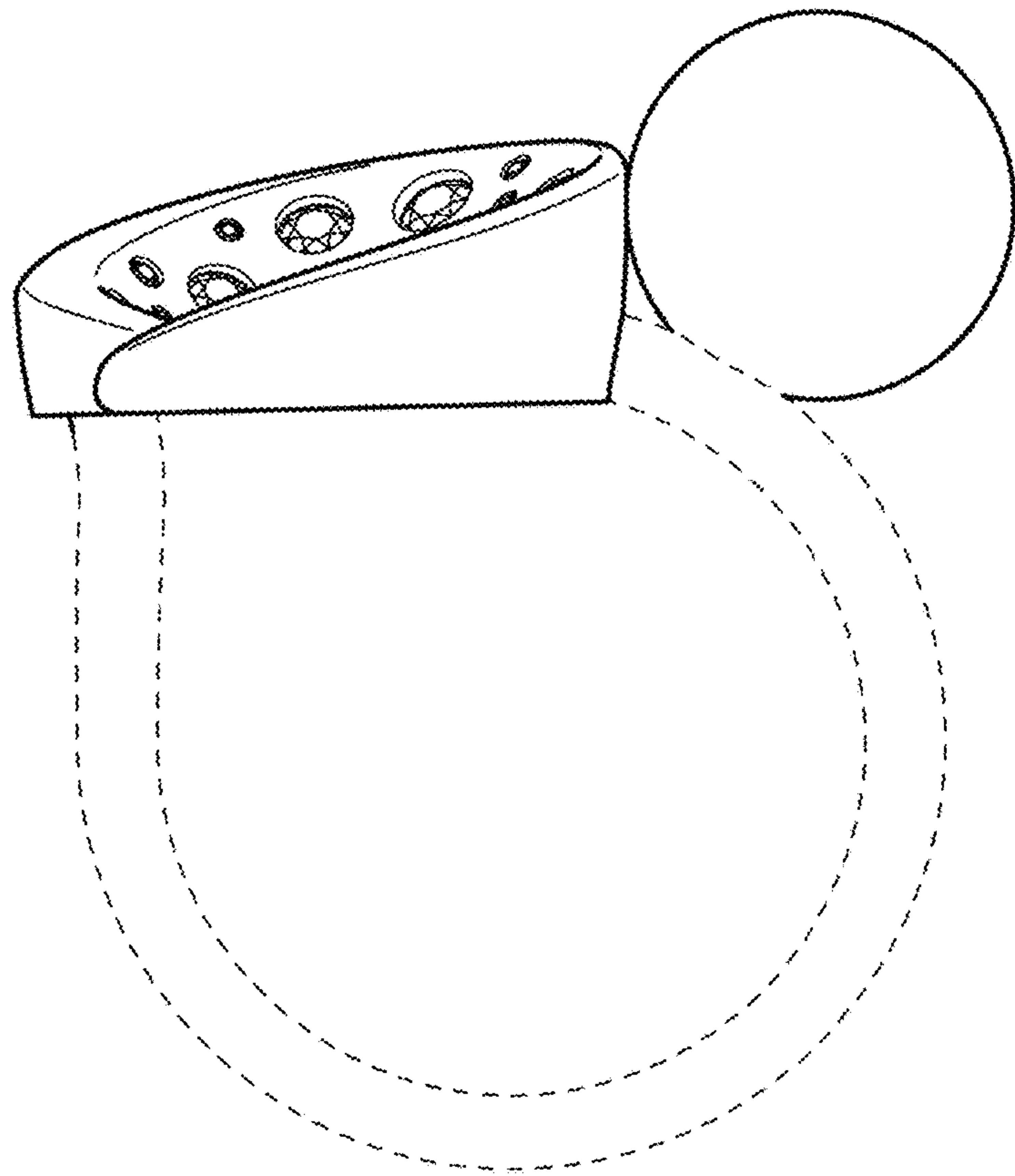
1 Claim, 7 Drawing Sheets



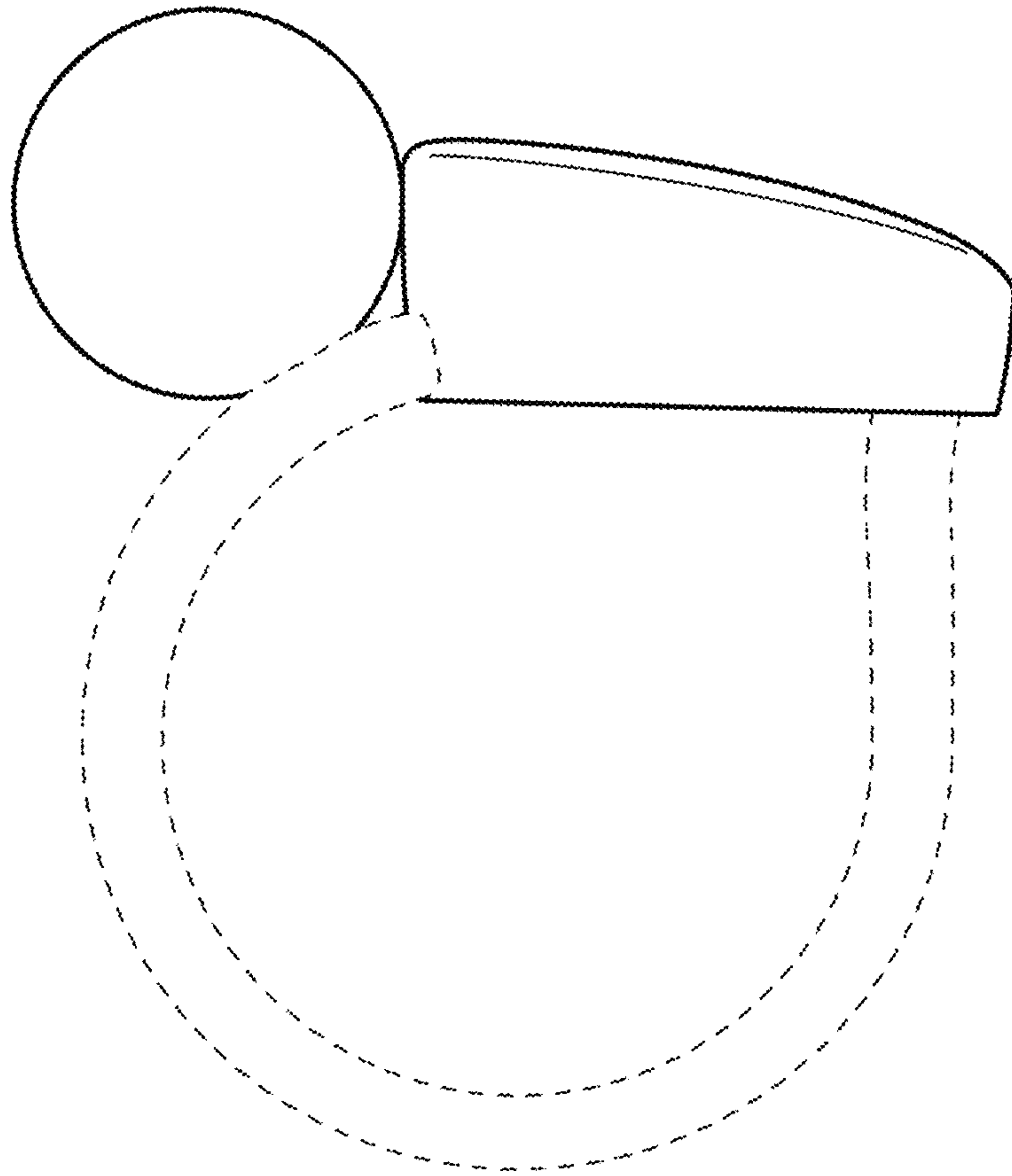
1.1



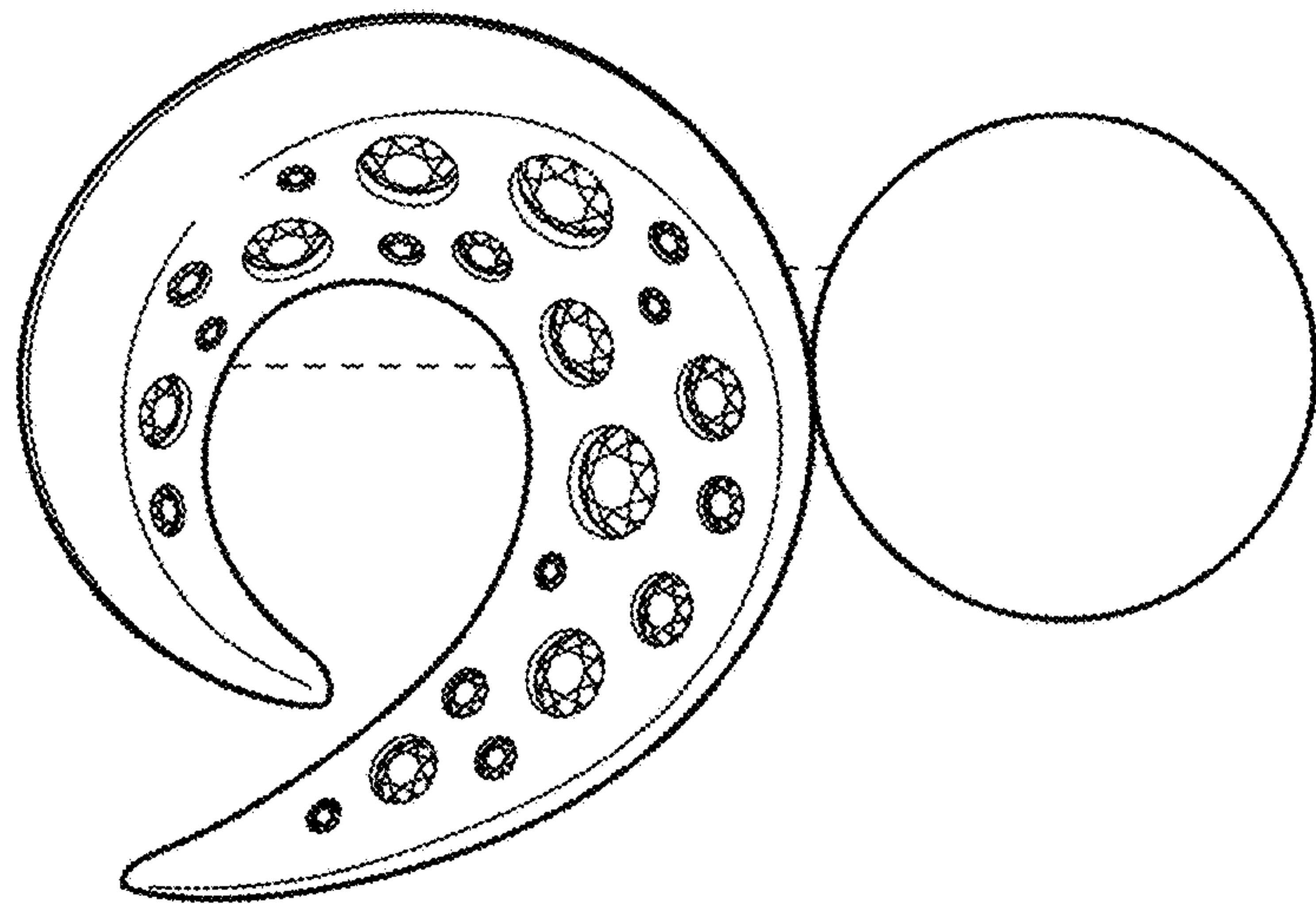
1.2



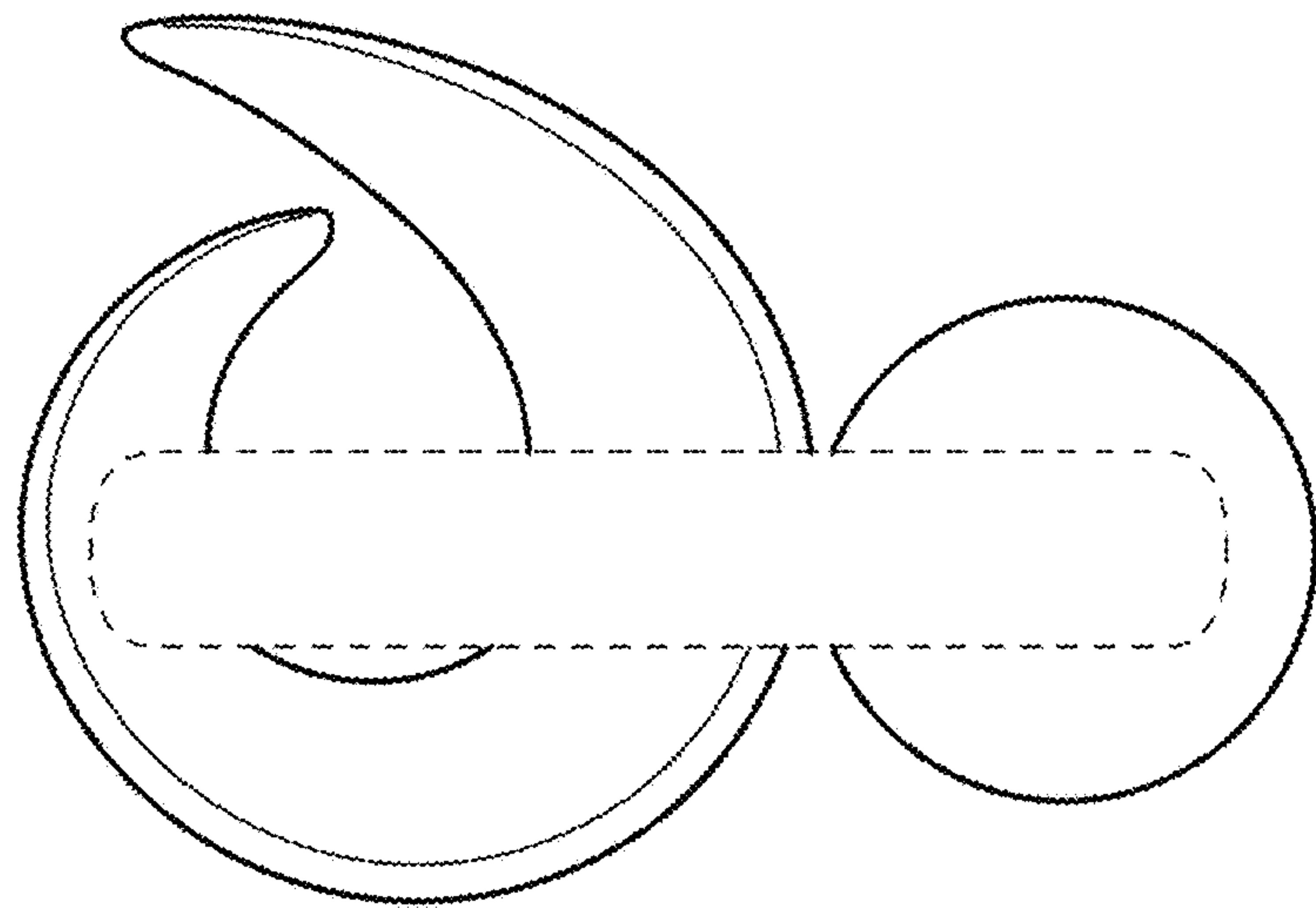
1.3



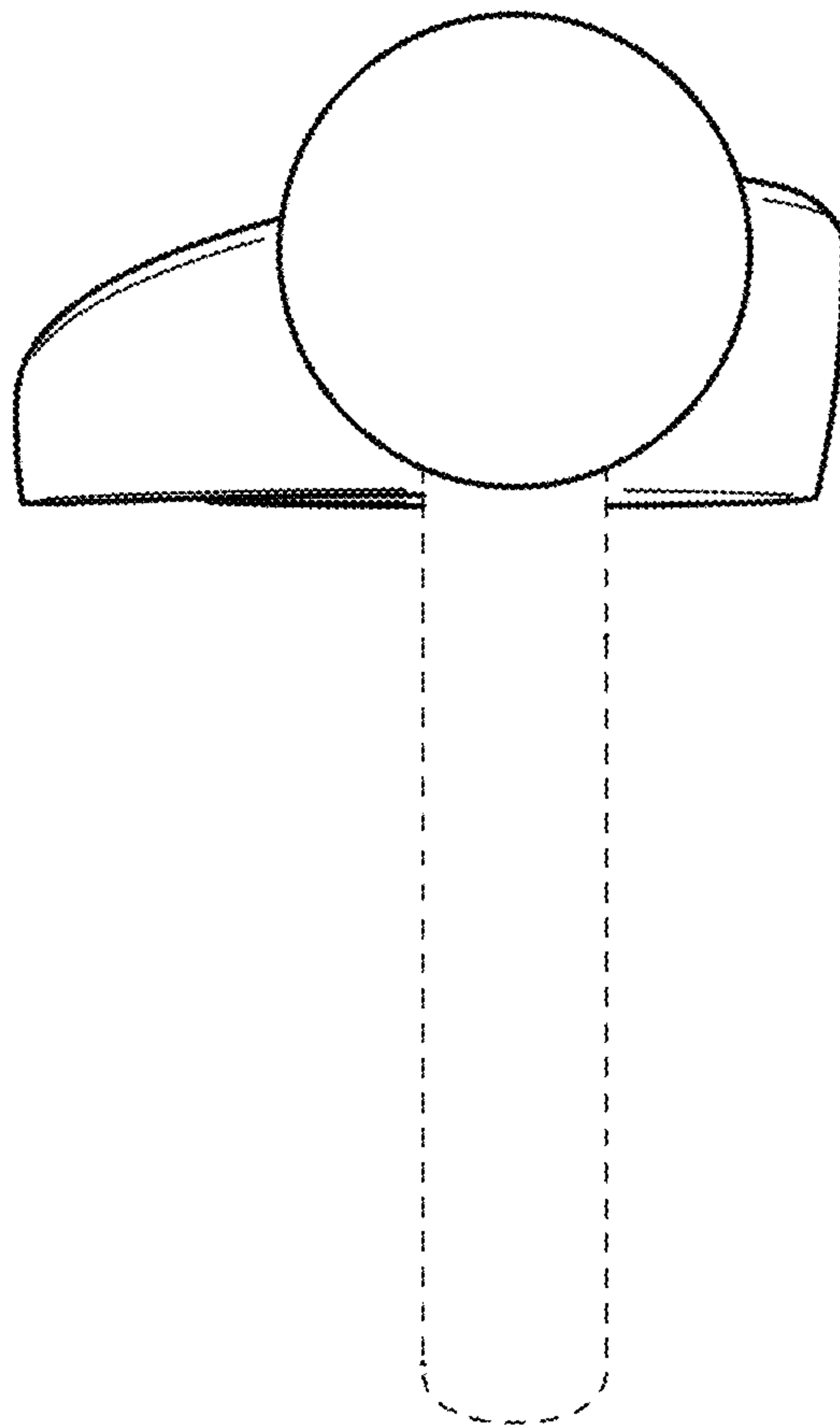
1.4



1.5



1.6



1.7

