



US00D925387S

(12) **United States Design Patent** (10) **Patent No.:** **US D925,387 S**
Morin (45) **Date of Patent:** **** Jul. 20, 2021**

- (54) **ARTICLE OF JEWELRY**
- (71) Applicant: **CARTIER INTERNATIONAL AG,**
Steinhausen (CH)
- (72) Inventor: **Flora Morin,** Conflans Sainte Honorine
(FR)
- (73) Assignee: **CARTIER INTERNATIONAL AG,**
Steinhausen (CH)
- (**) Term: **15 Years**
- (21) Appl. No.: **29/766,850**
- (22) Filed: **Jan. 19, 2021**

Related U.S. Application Data

- (62) Division of application No. 29/684,856, filed on Mar. 25, 2019, now Pat. No. Des. 909,232.

(30) **Foreign Application Priority Data**

Sep. 28, 2018 (WO) 75912

- (51) **LOC (13) Cl.** **11-01**

- (52) **U.S. Cl.**
USPC **D11/6; D11/12**

- (58) **Field of Classification Search**
USPC D11/1-17, 20, 26, 28, 34, 37, 38, 39, 40
CPC A44C 5/02; A44C 5/102; A44C 5/105;
A44C 5/107; A44C 9/00; A44C 13/00
See application file for complete search history.

(56) **References Cited**

U.S. PATENT DOCUMENTS

- 430,295 A * 6/1890 Mathewson A44C 11/002
D11/11
- 431,804 A * 7/1890 Edge A44C 11/00
D11/17
- D68,149 S * 9/1925 Lindeberg D11/34

- D78,900 S * 7/1929 Saccoccia D11/17
- 1,841,375 A * 1/1932 Meyer A44C 5/0092
D11/4
- D109,704 S * 5/1938 Dinhofer D11/34
- D120,368 S * 5/1940 Welling D11/2
- D157,634 S * 3/1950 Schaeffer D11/34
- D162,110 S * 2/1951 Armbrust D11/18
- D178,440 S * 7/1956 Welebny D11/4
- D181,920 S * 1/1958 Armbrust D11/12
- D358,562 S * 5/1995 Bulgari D11/3
- D359,926 S * 7/1995 Plummer D11/4
- D365,038 S * 12/1995 Merritt D11/26
- D505,633 S * 5/2005 Hardy D11/26
- D516,450 S * 3/2006 Carnegie D11/6
- D581,306 S * 11/2008 So D11/13
- D581,307 S * 11/2008 So D11/13
- D584,983 S * 1/2009 So D11/13
- D719,049 S * 12/2014 Wempe D11/34
- D729,683 S * 5/2015 Wempe D11/26
- D729,684 S * 5/2015 Wempe D11/34
- D732,995 S * 6/2015 Wempe D11/34

(Continued)

Primary Examiner — Llorellys Martinez

(74) *Attorney, Agent, or Firm* — Oliff PLC

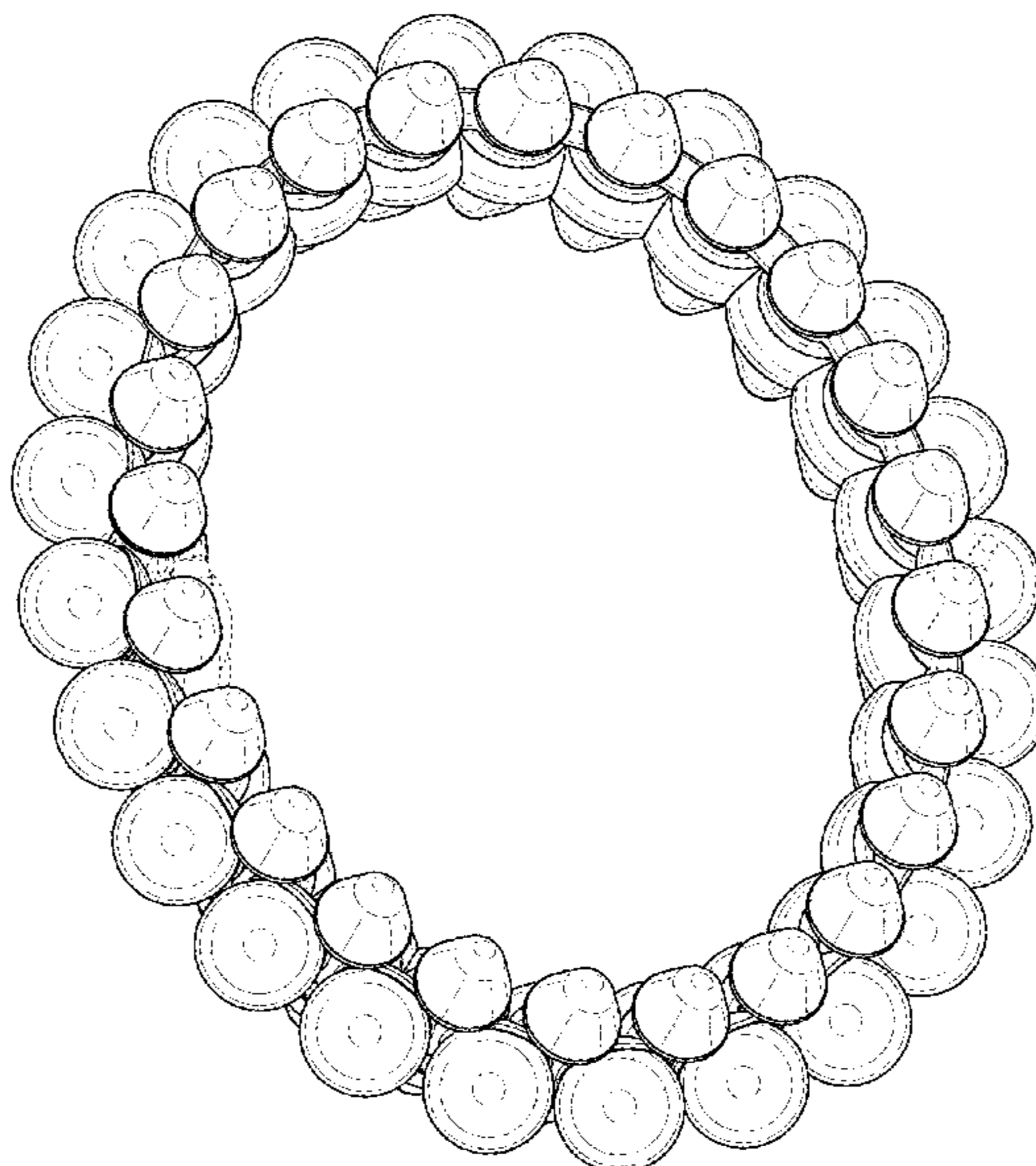
(57) **CLAIM**

The ornamental design for an article of jewelry, as shown and described.

DESCRIPTION

FIG. 1 is a front elevational view of an article of jewelry, showing the new design;
 FIG. 2 is a rear elevational view thereof;
 FIG. 3 is a top plan view thereof;
 FIG. 4 is a bottom plan view thereof;
 FIG. 5 is a left side elevation view thereof;
 FIG. 6 is a right side elevation view thereof; and,
 FIG. 7 is a front perspective view thereof.
 The broken lines in the drawings illustrate portions of the article of jewelry that form no part of the claimed design.

1 Claim, 5 Drawing Sheets



(56)

References Cited

U.S. PATENT DOCUMENTS

D734,685 S *	7/2015	Barresi	D11/3
D791,635 S *	7/2017	Hardy	D11/3
D820,715 S *	6/2018	Le Bail	D11/34
D824,274 S *	7/2018	Trafton	D11/3
D825,369 S *	8/2018	Izen	D11/3
D909,232 S *	2/2021	Morin	D11/16
D912,564 S *	3/2021	Morin	D11/6
D913,143 S *	3/2021	Yamada	D11/26
D913,144 S *	3/2021	Yamada	D11/40

* cited by examiner

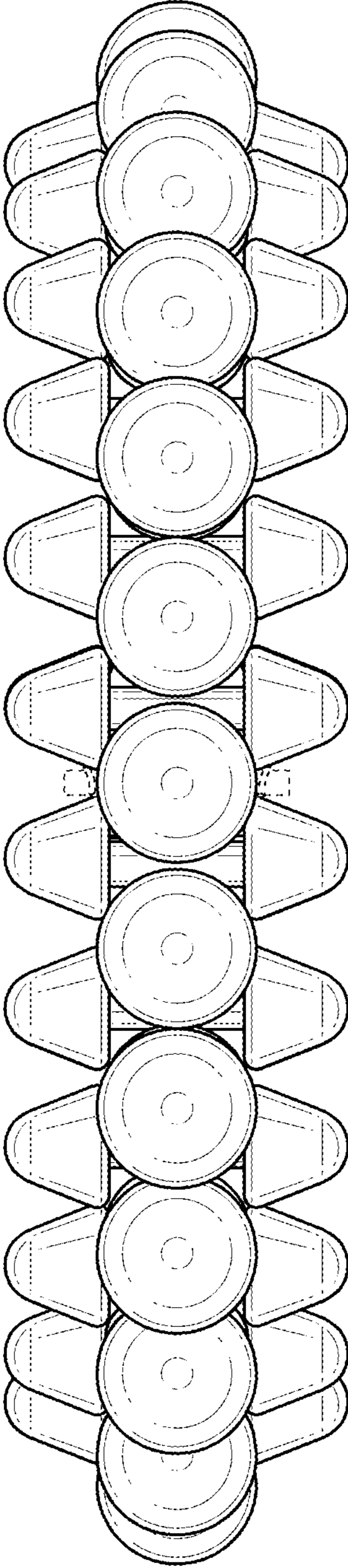


FIG. 1

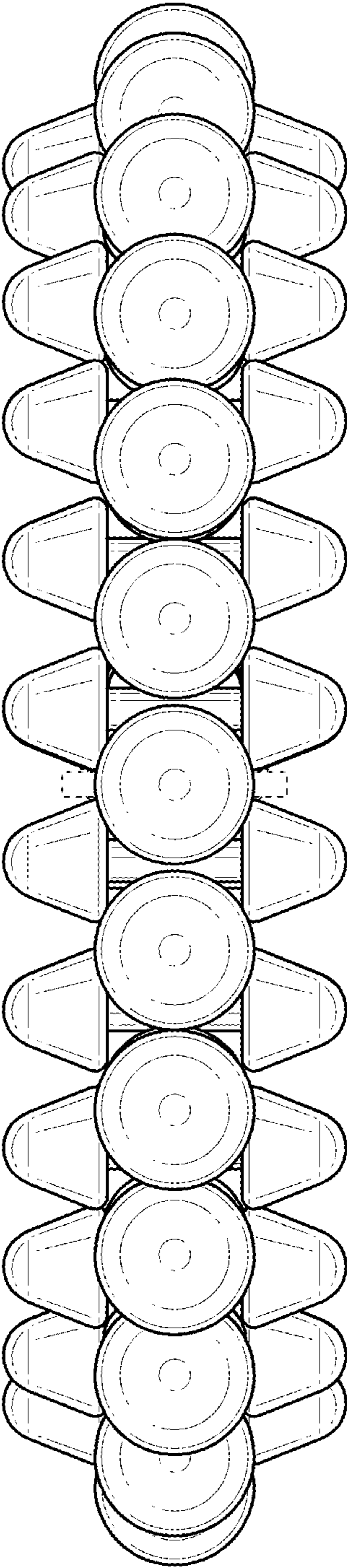


FIG. 2

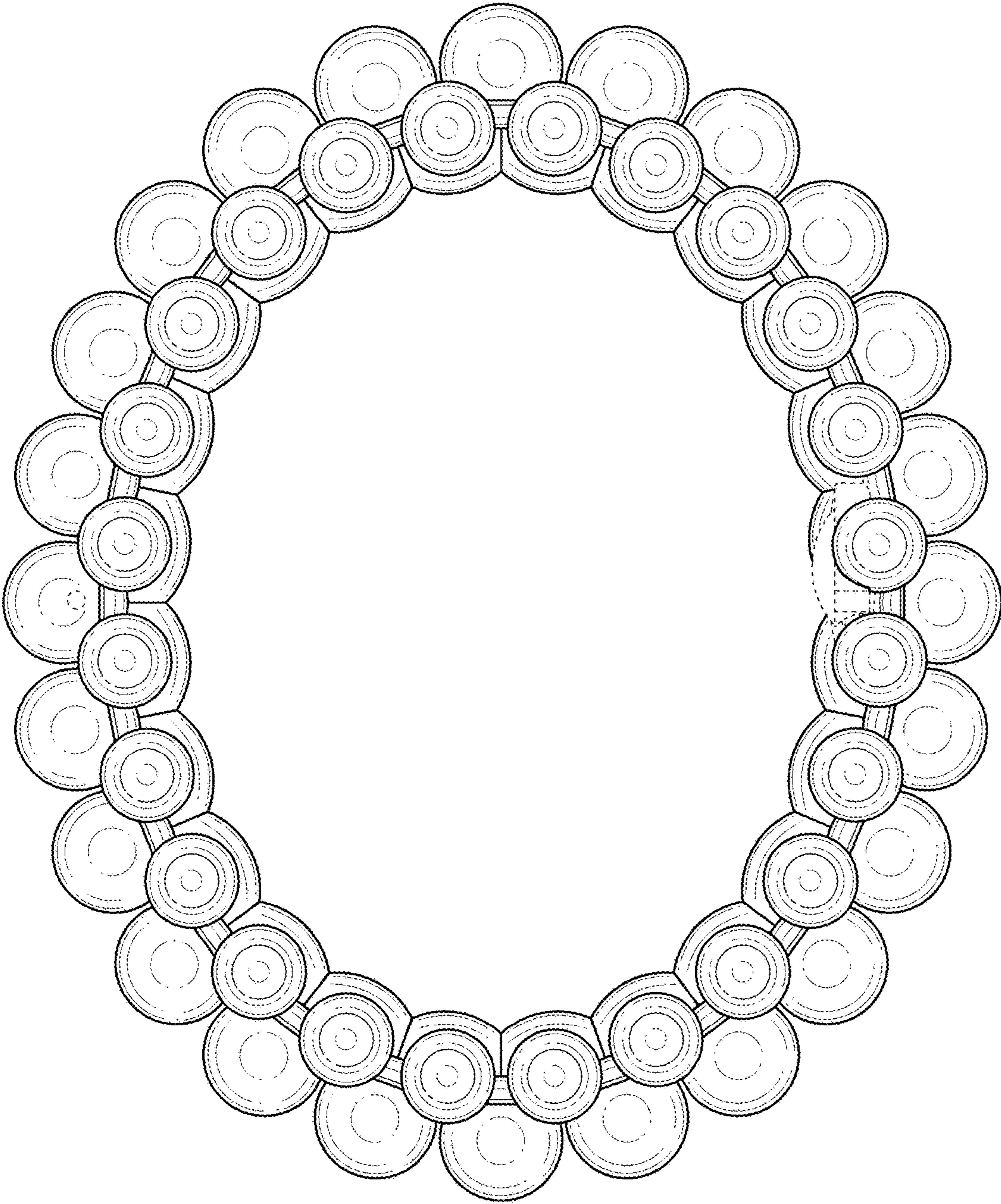


FIG. 3

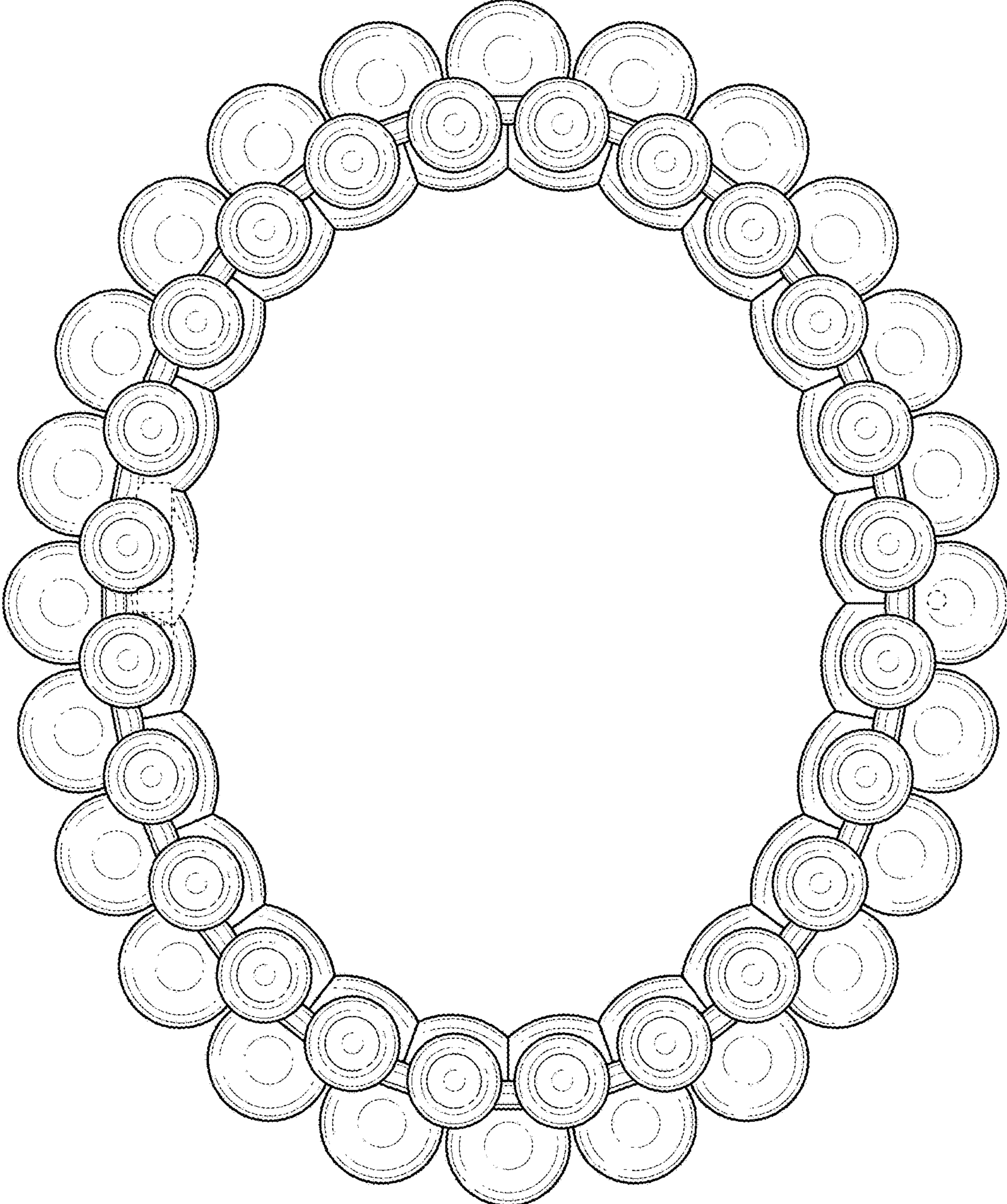


FIG. 4

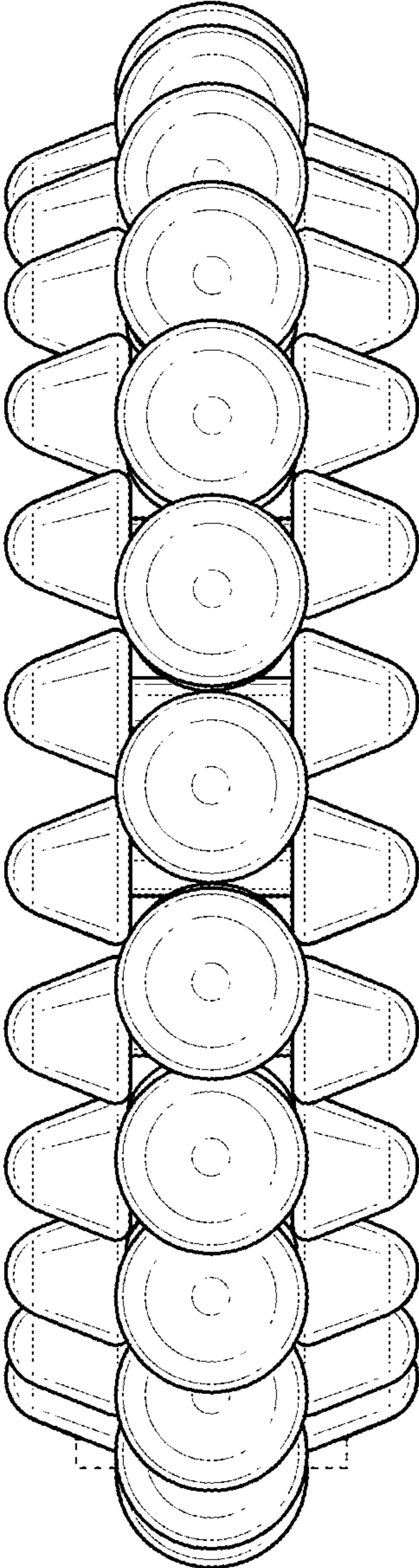


FIG. 5

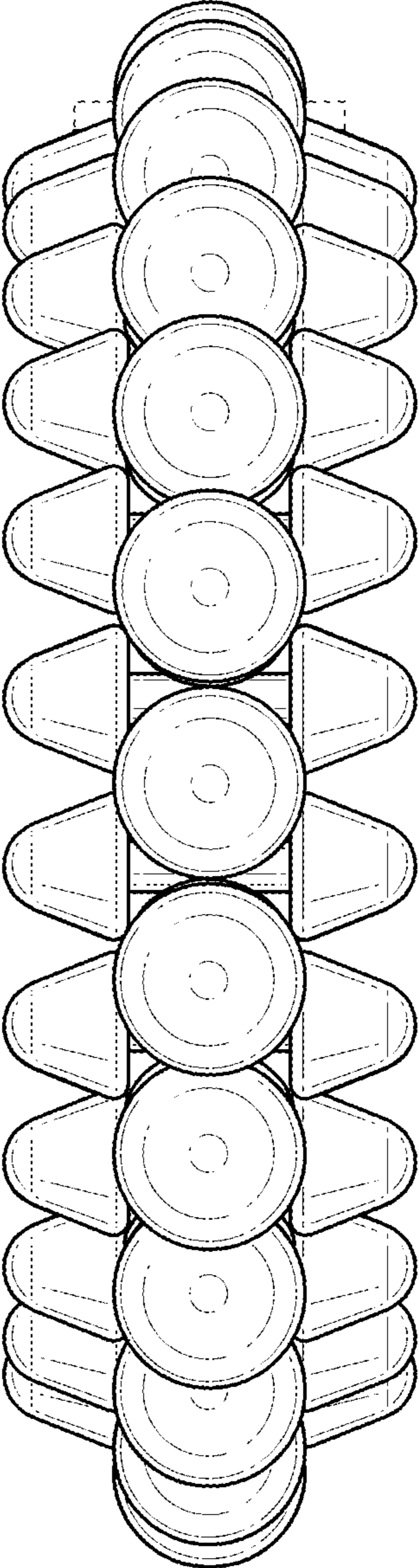


FIG. 6

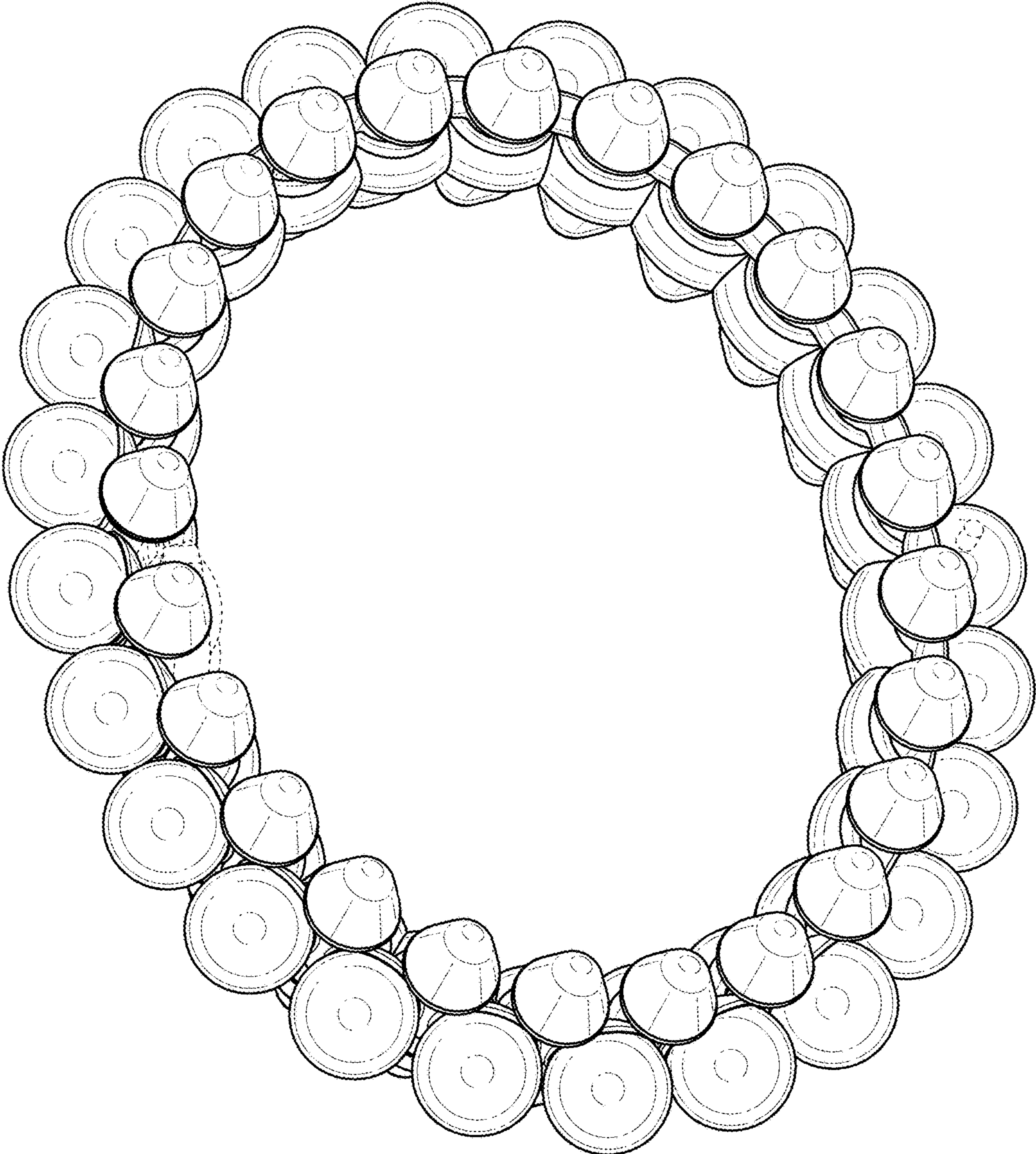


FIG. 7