



US00D925386S

(12) **United States Design Patent** (10) **Patent No.:** **US D925,386 S**  
**Quinters et al.** (45) **Date of Patent:** **\*\* Jul. 20, 2021**

(54) **BRACELET**

(71) Applicant: **Tiffany and Company**, New York, NY (US)

(72) Inventors: **Nurit Quinters**, New York, NY (US);  
**Jessy Duval**, New York, NY (US);  
**Nathan Green**, New York, NY (US);  
**Cary James**, New York, NY (US);  
**Rachel Bassler**, New York, NY (US);  
**Chloe Shen**, New York, NY (US)

(73) Assignee: **TIFFANY AND COMPANY**, New York, NY (US)

(\*\*) Term: **15 Years**

(21) Appl. No.: **29/713,517**

(22) Filed: **Nov. 15, 2019**

(51) **LOC (13) Cl.** ..... **11-01**

(52) **U.S. Cl.**  
USPC ..... **D11/5**

(58) **Field of Classification Search**  
USPC ..... D11/1-12, 16, 26, 34  
CPC ..... A44C 5/00; A44C 17/02; A44C 17/04;  
A44C 17/046

See application file for complete search history.

(56) **References Cited**

**U.S. PATENT DOCUMENTS**

1,019,445 A \* 3/1912 Feid ..... A44C 5/0092  
D11/5  
D123,888 S \* 12/1940 Koven ..... D11/2  
D386,999 S \* 12/1997 Kothari ..... D11/4  
D421,405 S \* 3/2000 Mestrum ..... D11/26  
D456,296 S \* 4/2002 Ambar ..... D11/4  
D497,567 S \* 10/2004 Hardy ..... D11/5  
D505,633 S \* 5/2005 Hardy ..... D11/26  
D700,860 S \* 3/2014 Nadeau ..... D11/5  
D703,088 S \* 4/2014 Fiasconaro ..... D11/5  
D707,149 S \* 6/2014 Ovadia ..... D11/5

D724,471 S \* 3/2015 Blondet ..... D11/5  
D757,591 S 5/2016 Amfitheatrof et al.  
D757,592 S 5/2016 Martensson et al.  
D762,514 S 8/2016 Amfitheatrof et al.  
D778,199 S 2/2017 Amfitheatrof et al.  
D778,761 S 2/2017 Amfitheatrof et al.  
D780,010 S \* 2/2017 Amfitheatrof ..... D11/4

(Continued)

**OTHER PUBLICATIONS**

Design U.S. Appl. No. 29/700,566, filed Aug. 2, 2019; First named inventor—Zuckerman.

(Continued)

*Primary Examiner* — Llorellys Martinez

(74) *Attorney, Agent, or Firm* — Fross, Zelnick, Lehrman & Zissu PC; Charles T. J. Weigell, Esq.

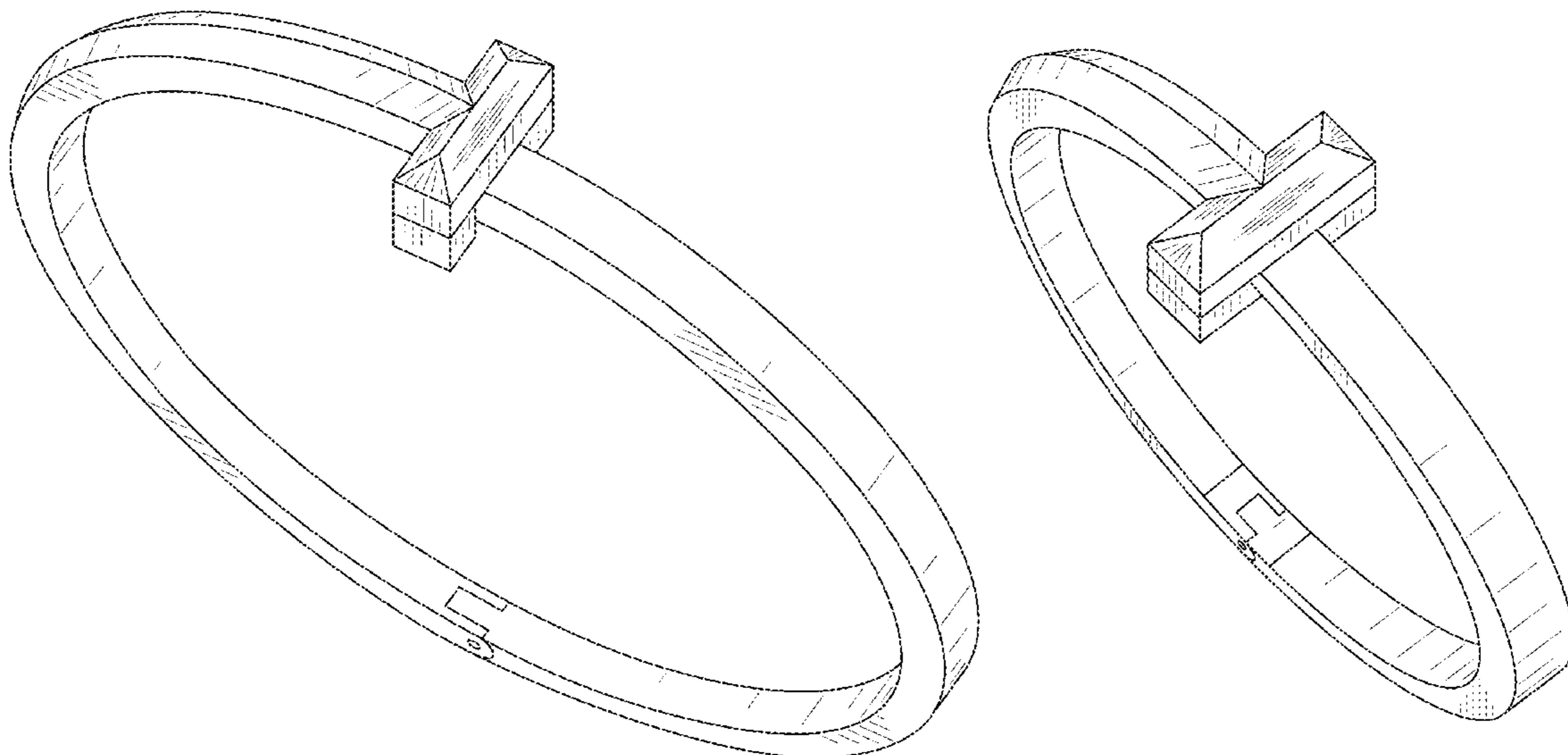
(57) **CLAIM**

The ornamental design for a bracelet, as shown and described.

**DESCRIPTION**

FIG. 1 is a perspective view of a first embodiment of a bracelet showing our new design;  
FIG. 2 is a front view thereof;  
FIG. 3 is a back view thereof;  
FIG. 4 is a left side view thereof;  
FIG. 5 is a right side view thereof;  
FIG. 6 is a top view thereof;  
FIG. 7 is a bottom view thereof;  
FIG. 8 is a perspective view of the second embodiment of the bracelet in FIG. 1;  
FIG. 9 is a front view thereof;  
FIG. 10 is a back view thereof;  
FIG. 11 is a left side view thereof;  
FIG. 12 is a right side view thereof;  
FIG. 13 is a top view thereof; and,  
FIG. 14 is a bottom view thereof.

**1 Claim, 10 Drawing Sheets**



(56)

**References Cited**

U.S. PATENT DOCUMENTS

D780,016 S \* 2/2017 Yatsugi-Kang ..... D11/34  
 D780,033 S \* 2/2017 Duval ..... D11/4  
 D780,045 S \* 2/2017 Duval ..... D11/81  
 D784,183 S \* 4/2017 Amfitheatrof ..... D11/27  
 D784,841 S \* 4/2017 Amfitheatrof ..... D11/4  
 D784,844 S \* 4/2017 Amfitheatrof ..... D11/27  
 D784,845 S \* 4/2017 Amfitheatrof ..... D11/27  
 D784,847 S \* 4/2017 Duval ..... D11/81  
 D786,120 S \* 5/2017 Duval ..... D11/40  
 D786,121 S \* 5/2017 Duval ..... D11/40  
 D787,362 S 5/2017 Amfitheatrof et al.  
 D800,595 S 10/2017 Amfitheatrof et al.  
 D806,600 S 1/2018 Amfitheatrof et al.  
 D810,606 S \* 2/2018 Lau ..... D11/26  
 D811,930 S 3/2018 Amfitheatrof et al.  
 D827,477 S 9/2018 Amfitheatrof et al.

D827,479 S \* 9/2018 Saiger ..... D11/5  
 D834,442 S \* 11/2018 Amfitheatrof ..... D11/5  
 D842,755 S \* 3/2019 Torrez ..... D11/87

OTHER PUBLICATIONS

Design U.S. Appl. No. 29/700,569, filed Aug. 2, 2019; First named inventor—Zuckerman.  
 Design U.S. Appl. No. 29/700,570, filed Aug. 2, 2019; First named inventor—Zuckerman.  
 Design U.S. Appl. No. 29/700,584, filed Aug. 2, 2019; First named inventor—Zuckerman.  
 Design U.S. Appl. No. 29/693,214, filed May 31, 2019; First named inventor—Rowe.  
 Design U.S. Appl. No. 29/693,221, filed May 31, 2019; First named inventor—Rowe.  
 Design U.S. Appl. No. 29/713,251, filed Nov. 14, 2019; First named inventor—Quinters.

\* cited by examiner

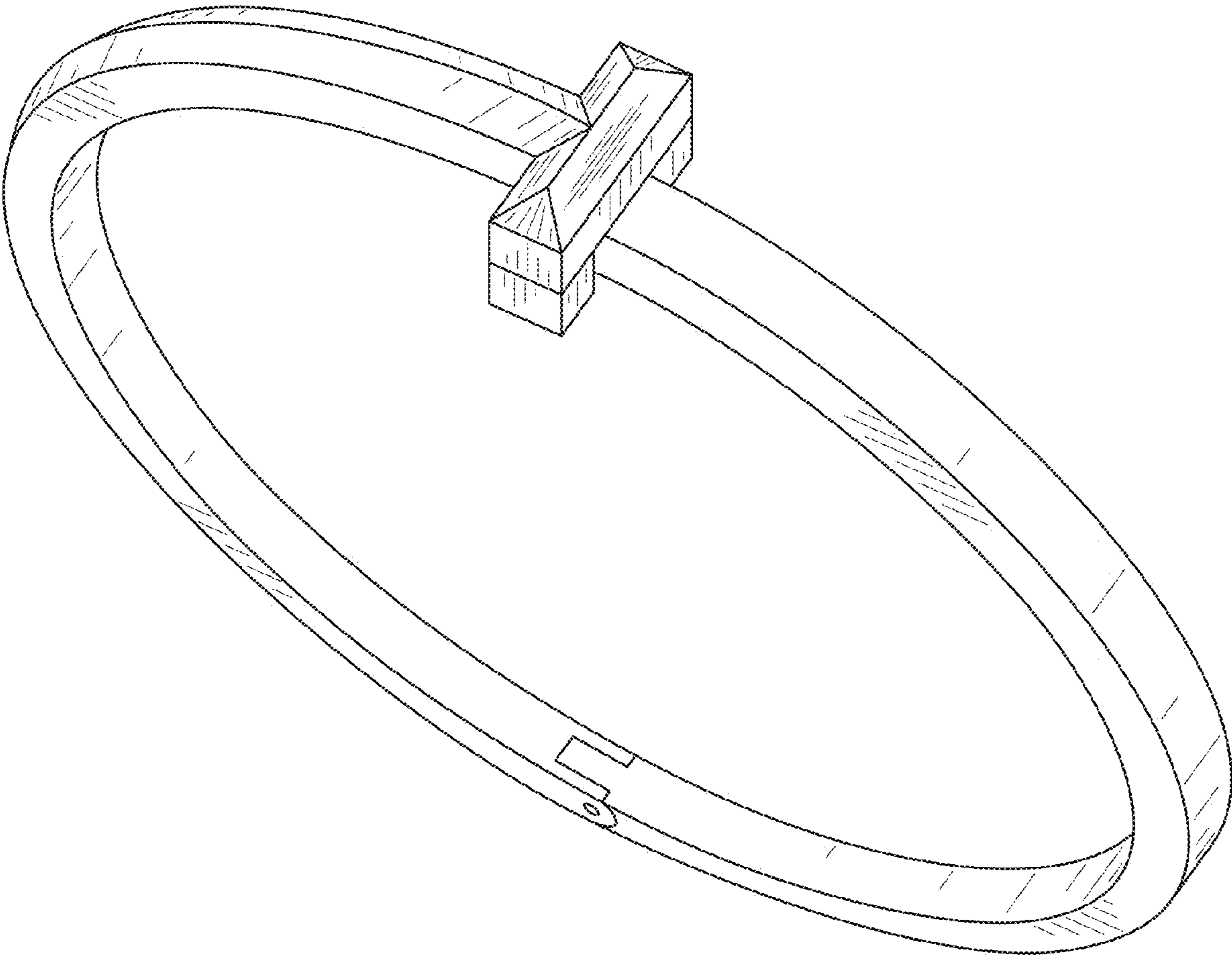


FIG. 1

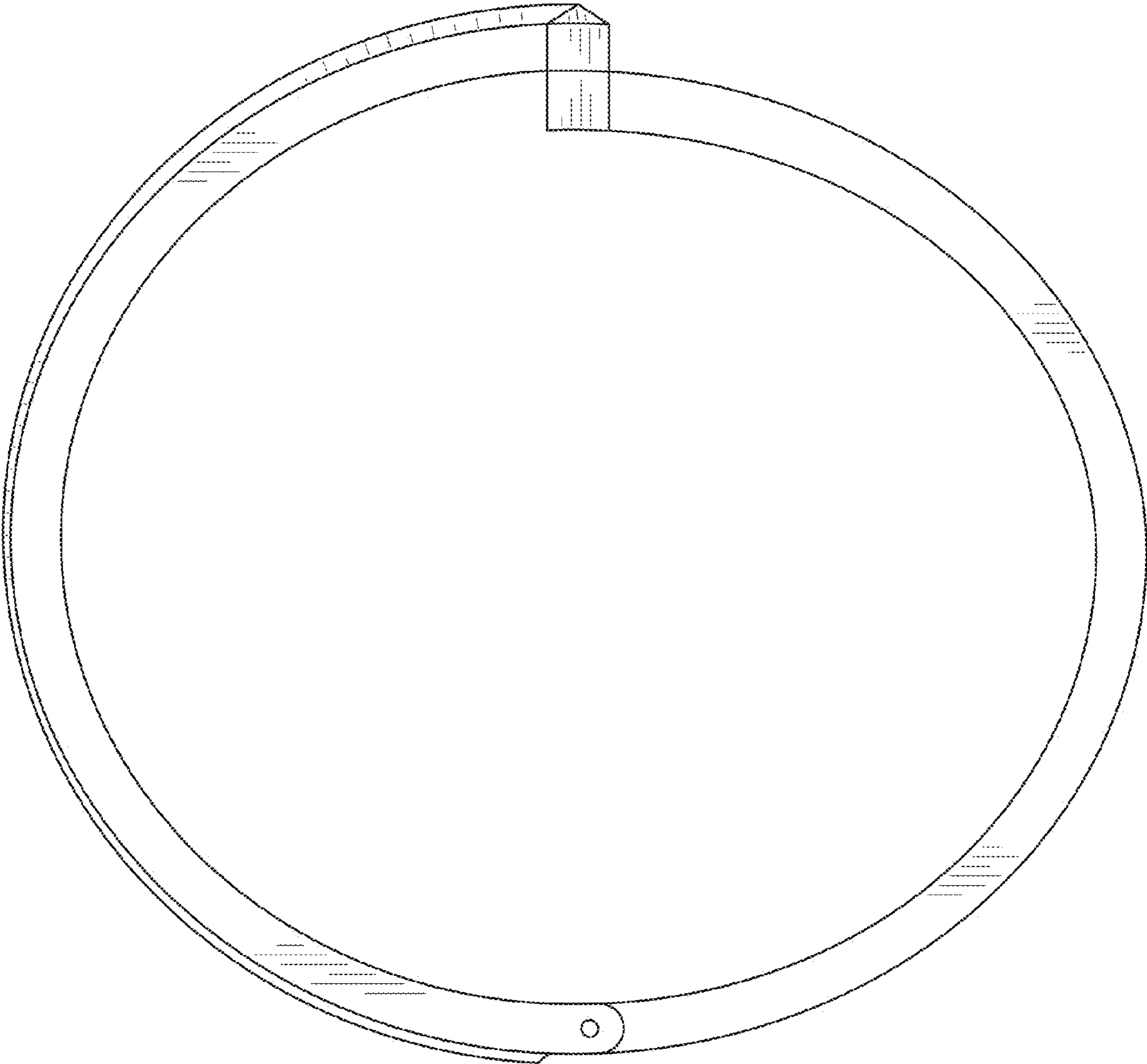


FIG. 2

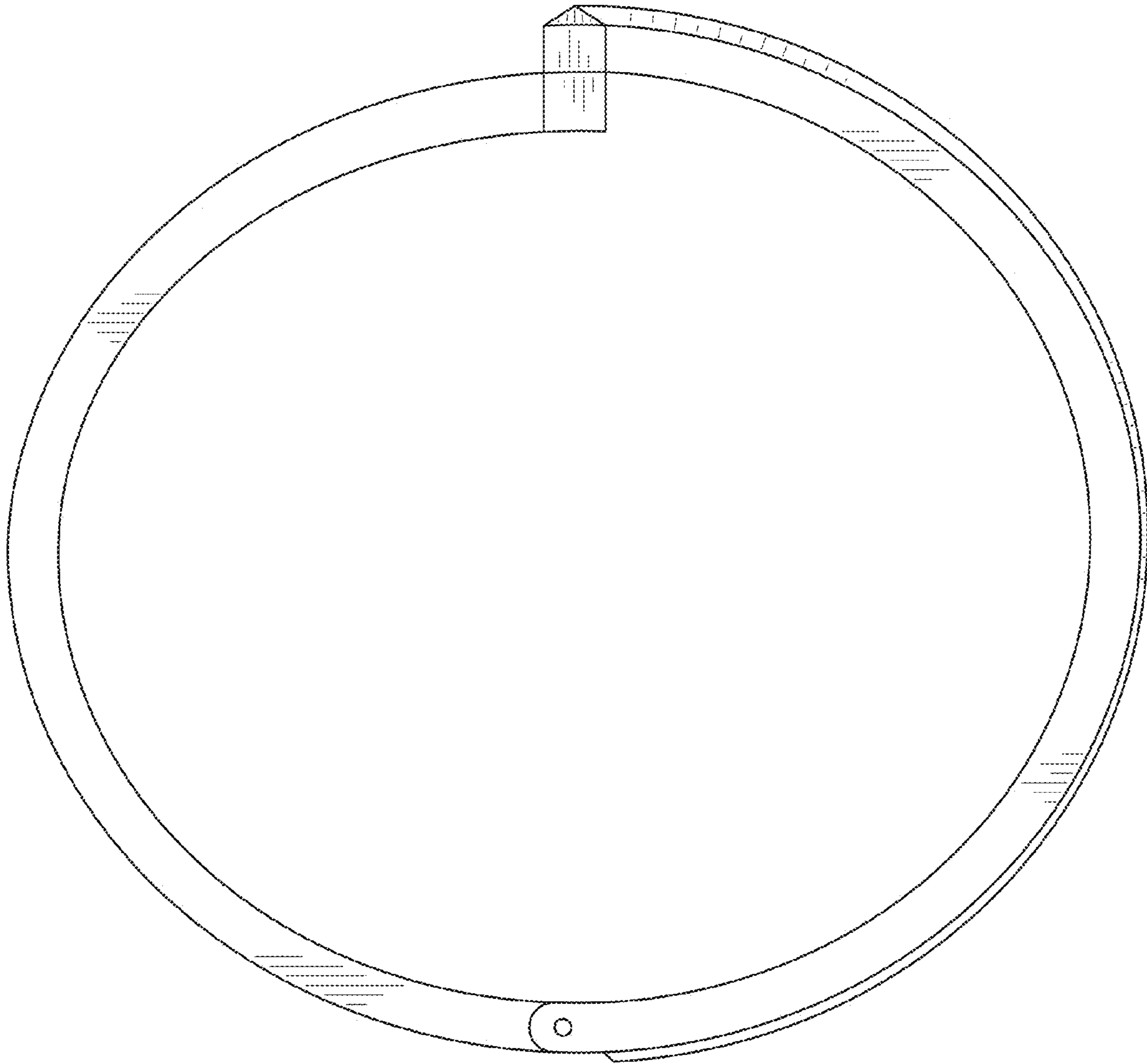


FIG. 3



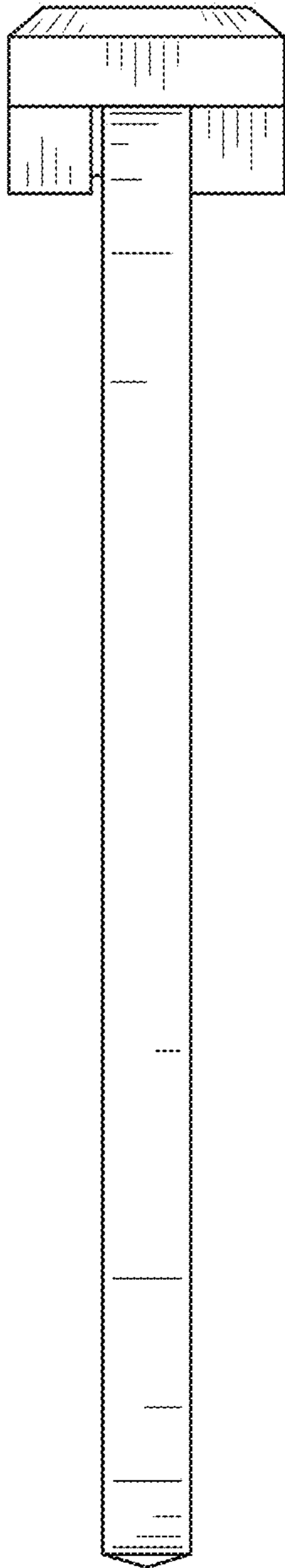


FIG. 4

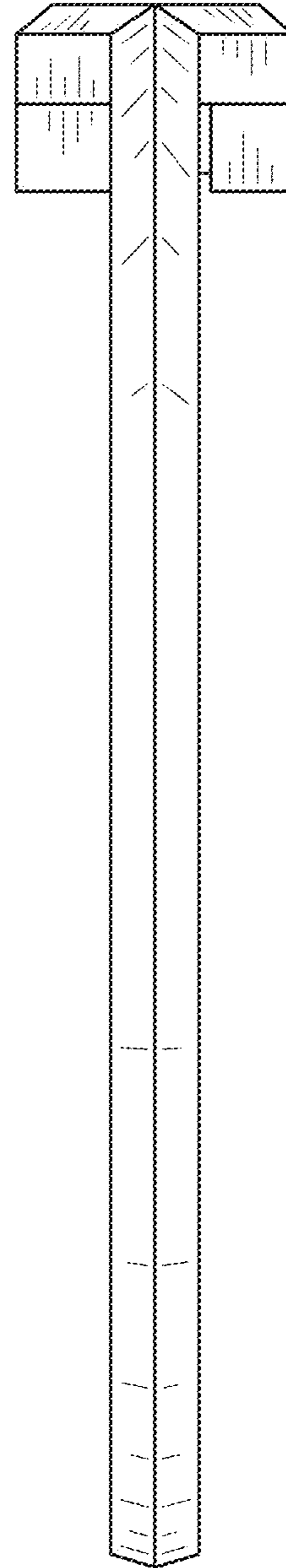


FIG. 5

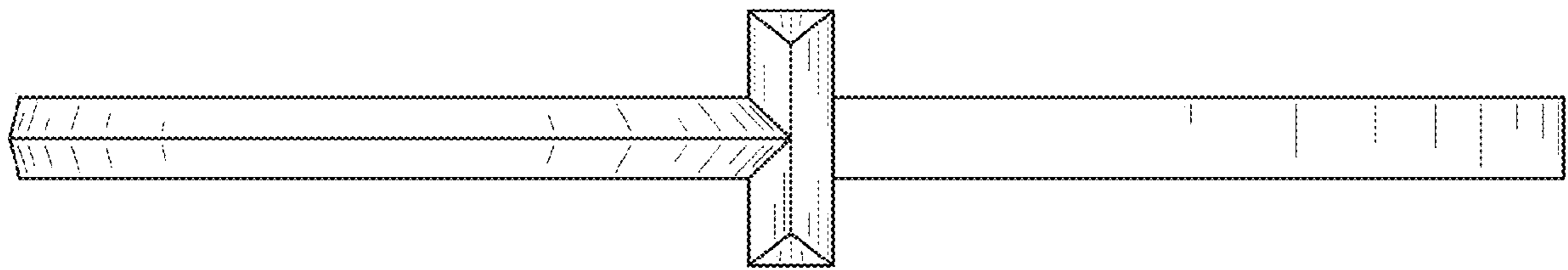


FIG. 6

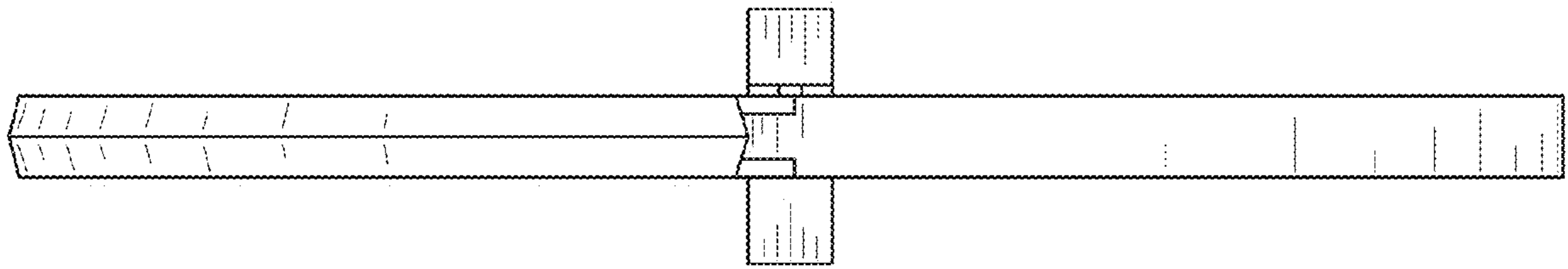


FIG. 7

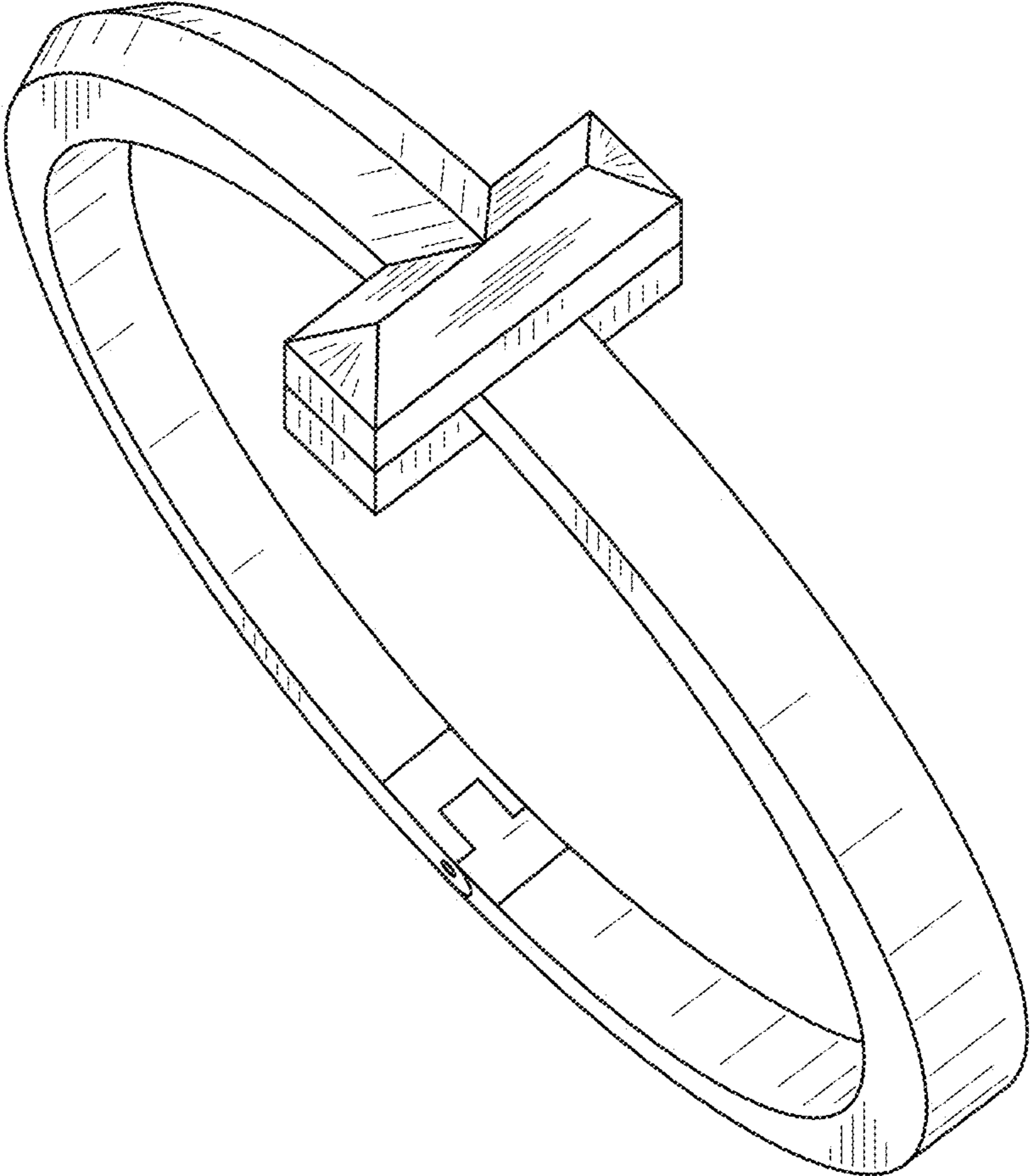


FIG. 8



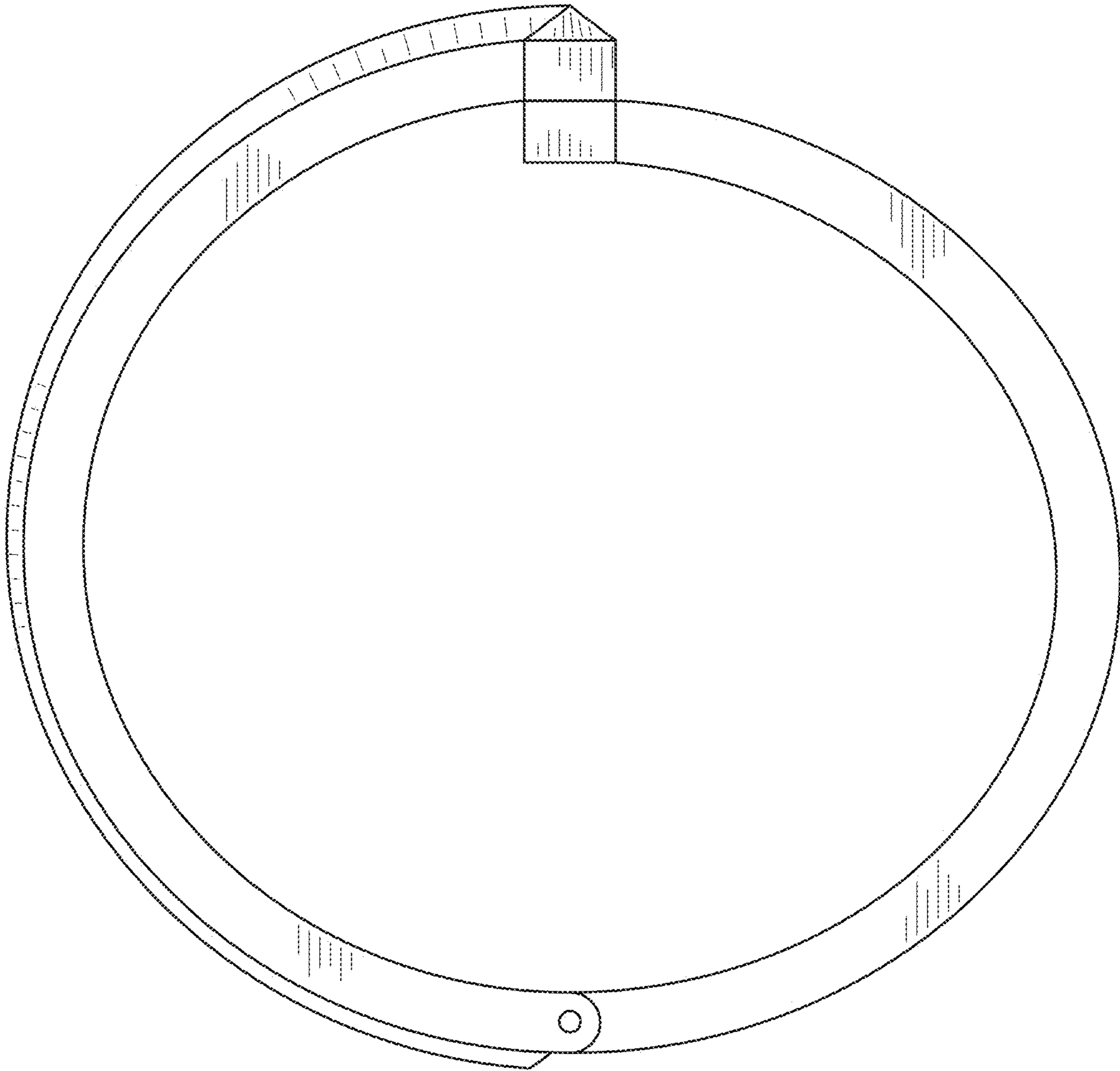


FIG. 9

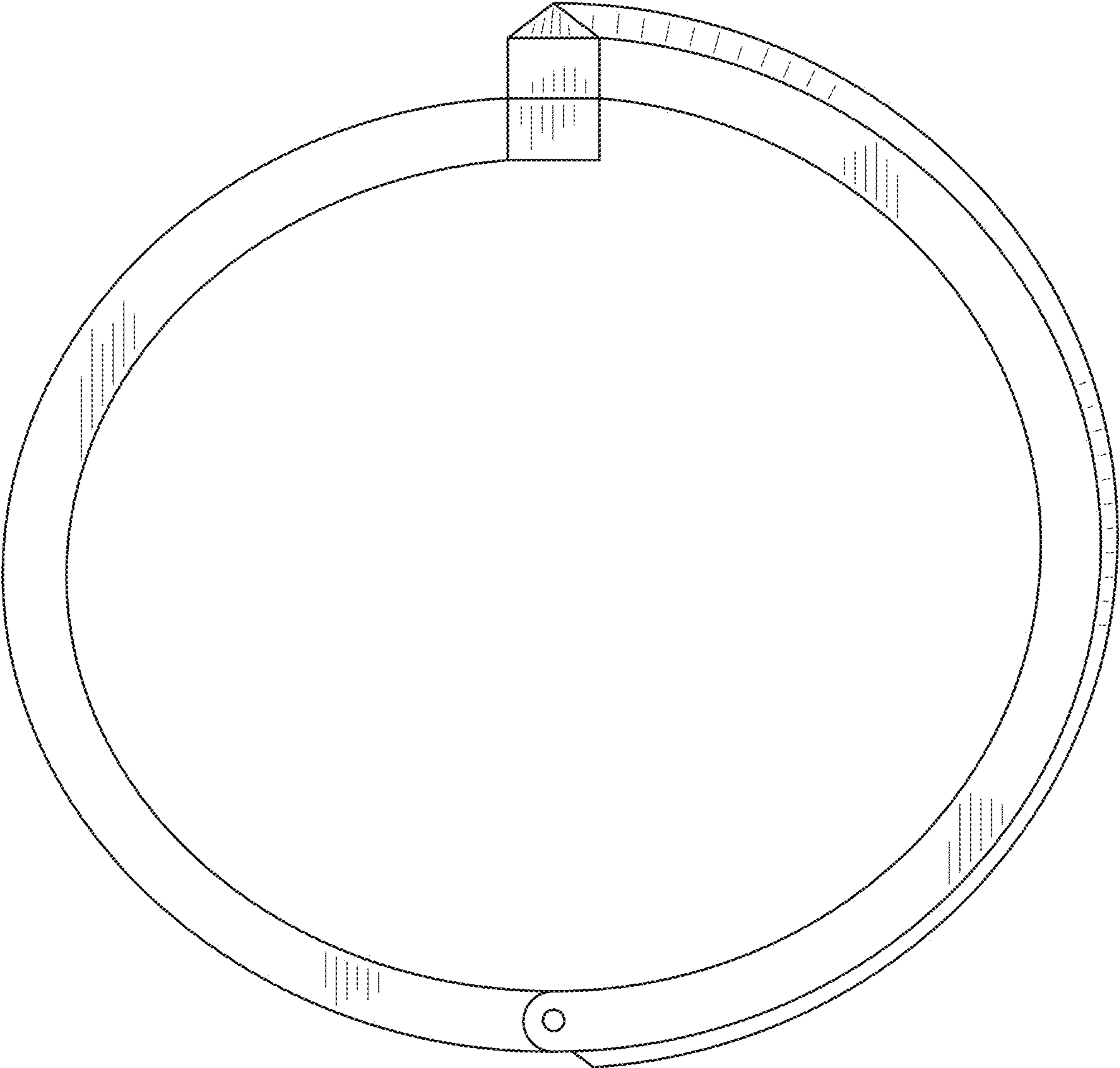


FIG. 10

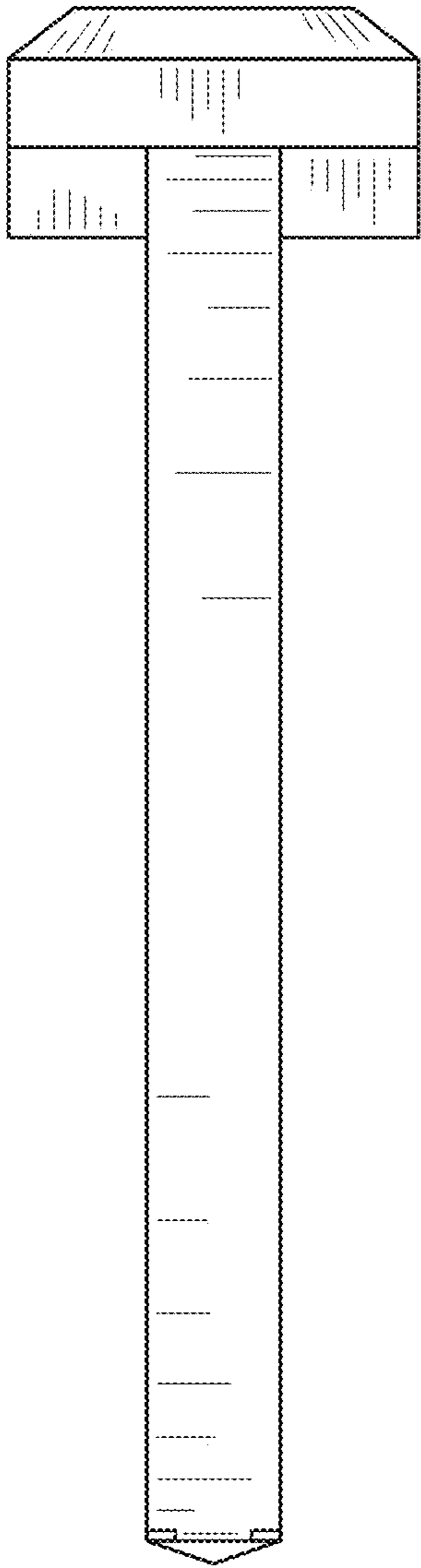


FIG. 11

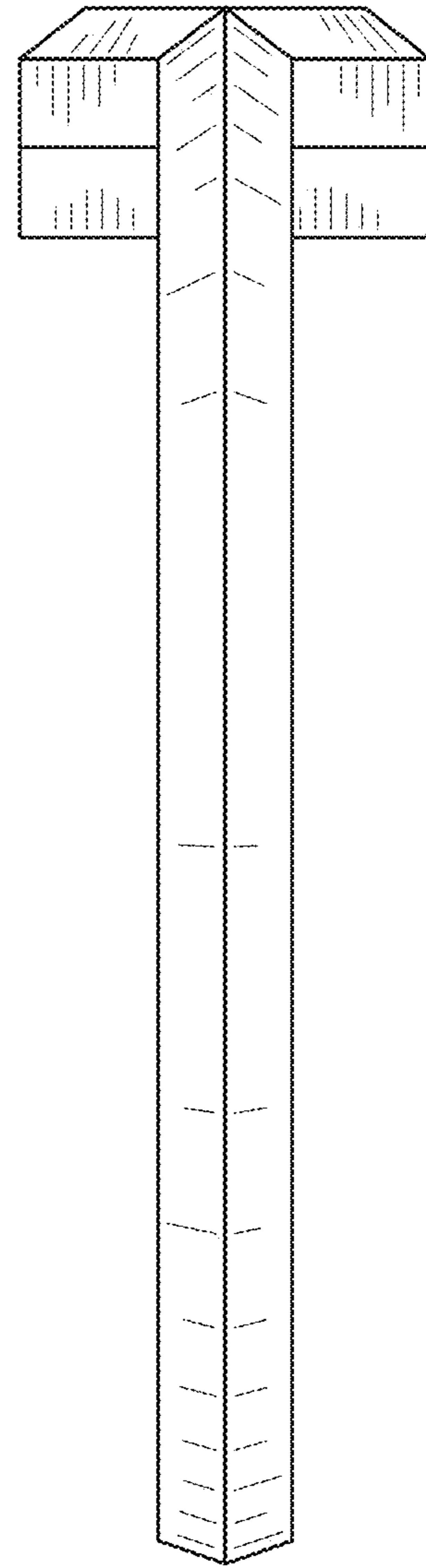


FIG. 12

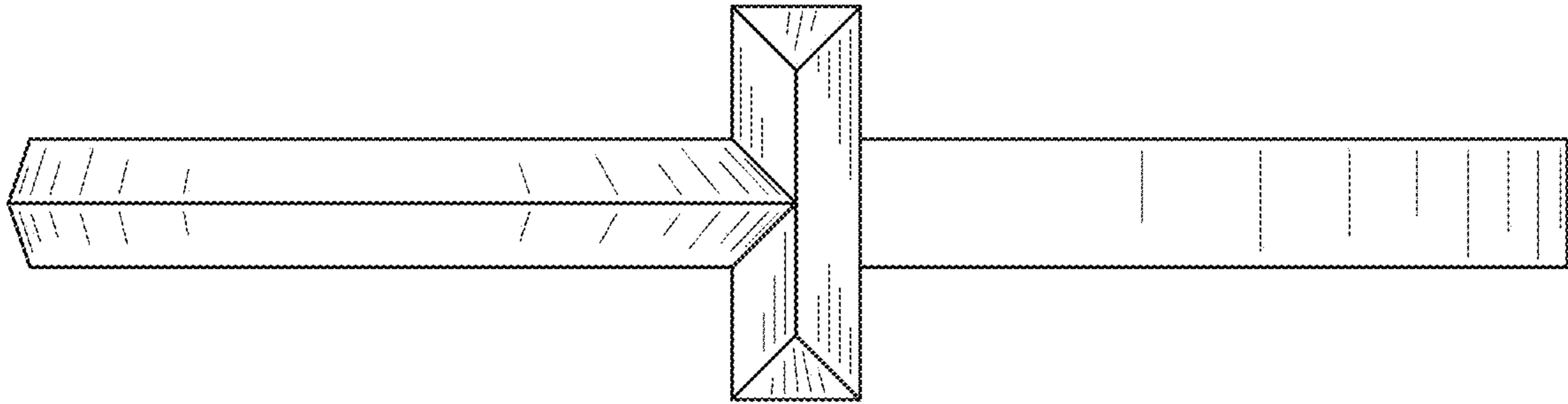


FIG. 13

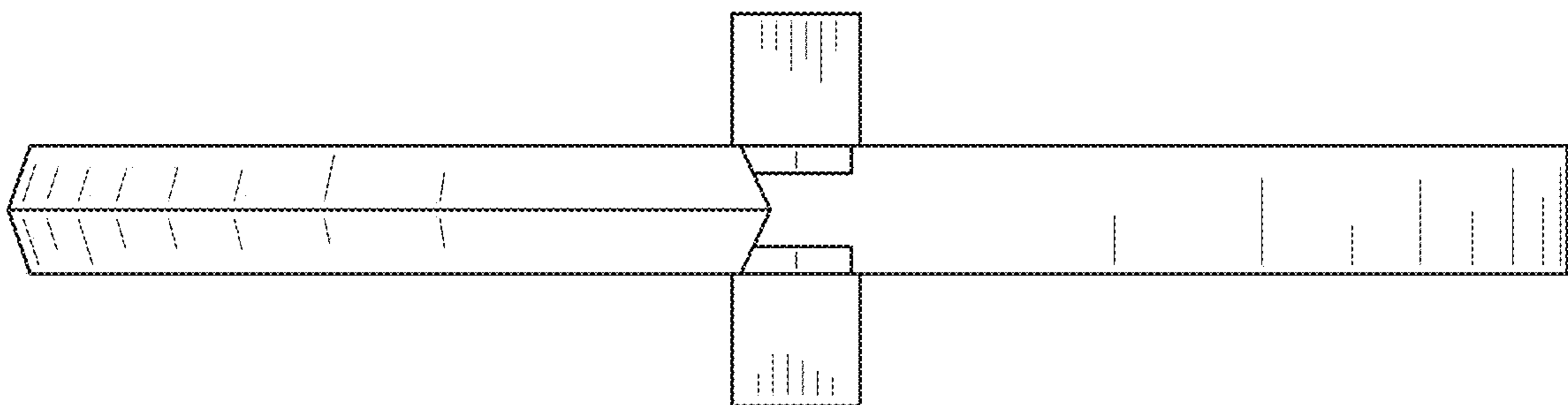


FIG. 14