



US00D925385S

(12) **United States Design Patent** (10) **Patent No.:** **US D925,385 S**
Lin (45) **Date of Patent:** **** *Jul. 20, 2021**

(54) **PROTECTIVE CASE FOR A WATCH**

(71) Applicant: **Dongjun Lin**, Shenzhen (CN)

(72) Inventor: **Zejun Lin**, Shenzhen (CN)

(*) Notice: This patent is subject to a terminal disclaimer.

(**) Term: **15 Years**

(21) Appl. No.: **29/763,223**

(22) Filed: **Dec. 22, 2020**

(30) **Foreign Application Priority Data**

Nov. 3, 2020 (CN) 202030658705.9

(51) **LOC (13) Cl.** **10-07**

(52) **U.S. Cl.**
USPC **D10/132; D14/440**

(58) **Field of Classification Search**
USPC D10/30-39, 128, 132; D14/250, 344,
D14/440; D11/3
CPC A44C 5/0007; A44C 5/147; A45C 11/10;
A45C 11/12; G04B 37/005; G04B
37/0058; G04B 37/087
See application file for complete search history.

(56) **References Cited**

U.S. PATENT DOCUMENTS

D454,310 S *	3/2002	Dostourian	D10/30
D476,580 S *	7/2003	Calvani	D10/30
D519,853 S *	5/2006	Sirmakes	D10/32
D523,358 S *	6/2006	Lillegard	D10/39
D558,068 S *	12/2007	Sirmakes	D10/39
D574,264 S *	8/2008	Fasciano	D10/39
D588,945 S *	3/2009	Arabo	D10/39
D644,539 S *	9/2011	Calce	D10/38
D705,111 S *	5/2014	Namazzy	D11/3
D766,906 S *	9/2016	Kim	D14/440
D770,931 S *	11/2016	Parker	D10/132

D811,921 S *	3/2018	Rabassa	D10/132
D850,968 S	6/2019	Zhang	
D854,001 S *	7/2019	Shannon, III	D14/250
D856,990 S *	8/2019	Romano	D14/250
D857,527 S *	8/2019	Ming	D10/38
D877,153 S	3/2020	Peng	
D885,230 S *	5/2020	Kim	D10/132
D897,350 S *	9/2020	Wang	D14/440
D898,745 S *	10/2020	Ye	D14/440
D902,768 S *	11/2020	Lin	D10/132
D902,933 S *	11/2020	Zhang	D14/440
D903,508 S *	12/2020	Zhang	D10/30
D909,903 S *	2/2021	Lin	D10/132
D912,562 S *	3/2021	Zhou	D10/132
D913,138 S *	3/2021	Maile	D10/132
D913,291 S *	3/2021	Zhang	D14/440
D913,808 S *	3/2021	Lee	D10/32
2017/0248922 A1 *	8/2017	Hynecek	G04B 37/005

(Continued)

FOREIGN PATENT DOCUMENTS

CN 202030349081.2 * 7/2020

Primary Examiner — Katherine Glennon

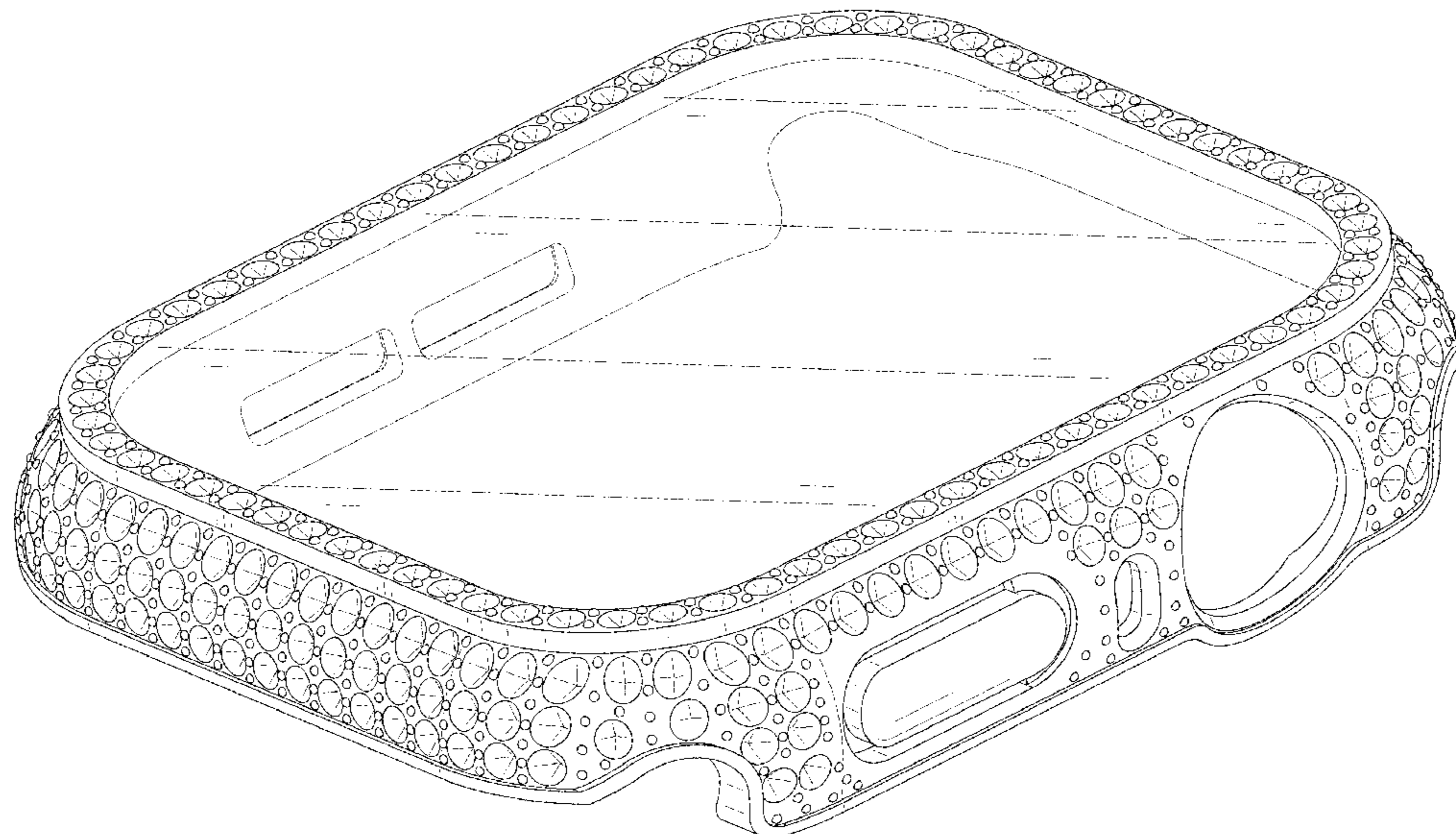
(57) **CLAIM**

The ornamental design for a protective case for a watch, as shown and described.

DESCRIPTION

FIG. 1 is a perspective view of a protective case for a watch showing my new design;
FIG. 2 is another perspective view thereof;
FIG. 3 is a front elevational view thereof;
FIG. 4 is a rear elevational view thereof;
FIG. 5 is a left side elevational view thereof;
FIG. 6 is a right side elevational view thereof;
FIG. 7 is a top plan view thereof;
FIG. 8 is a bottom plan view thereof; and,
FIG. 9 is a cross-sectional view thereof taken along line 9-9 of FIG. 3.

1 Claim, 9 Drawing Sheets



(56)

References Cited

U.S. PATENT DOCUMENTS

2019/0369563 A1* 12/2019 Chen G04G 17/08
2020/0363773 A1* 11/2020 Wang G04B 37/005

* cited by examiner

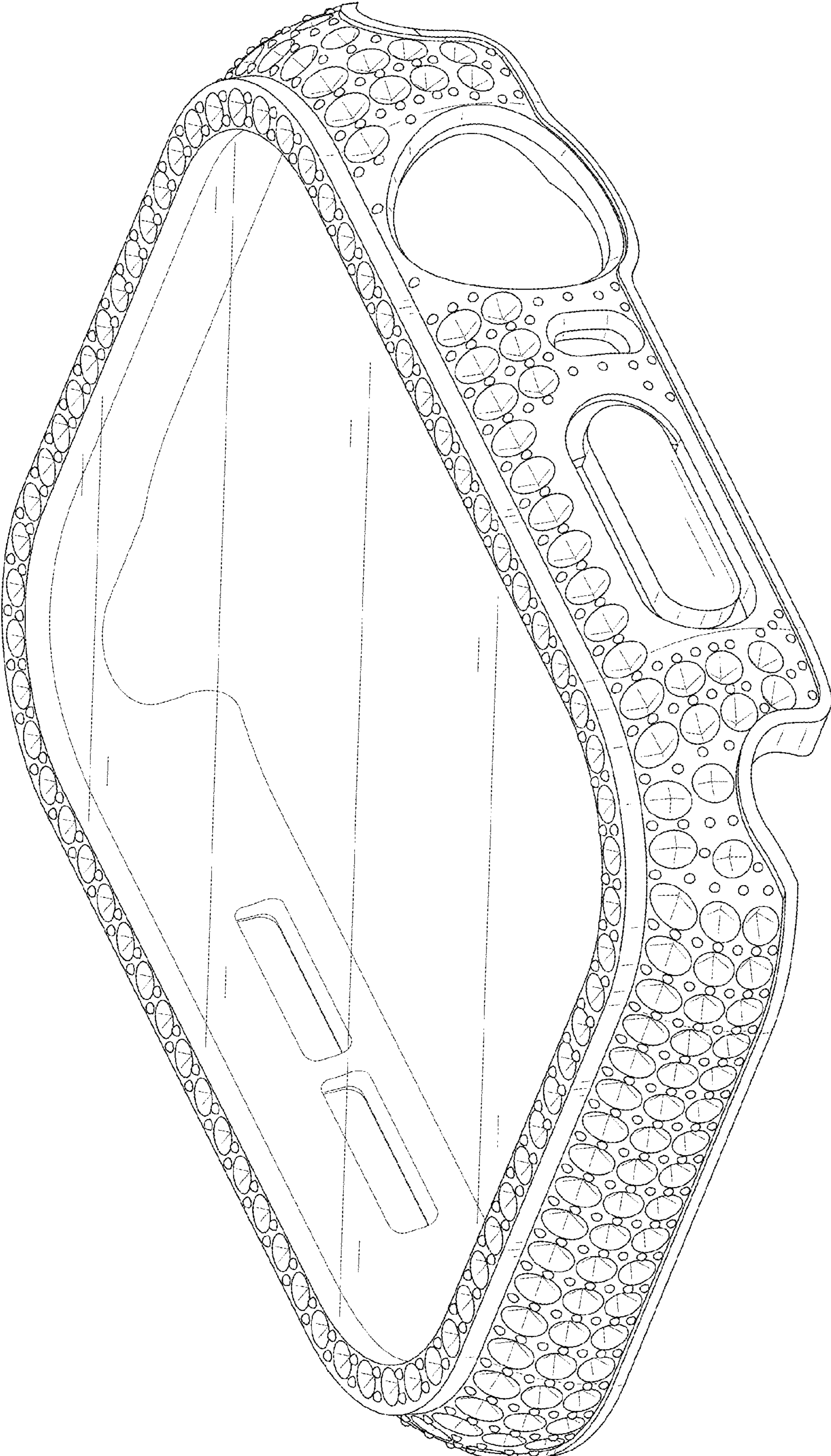


FIG. 1

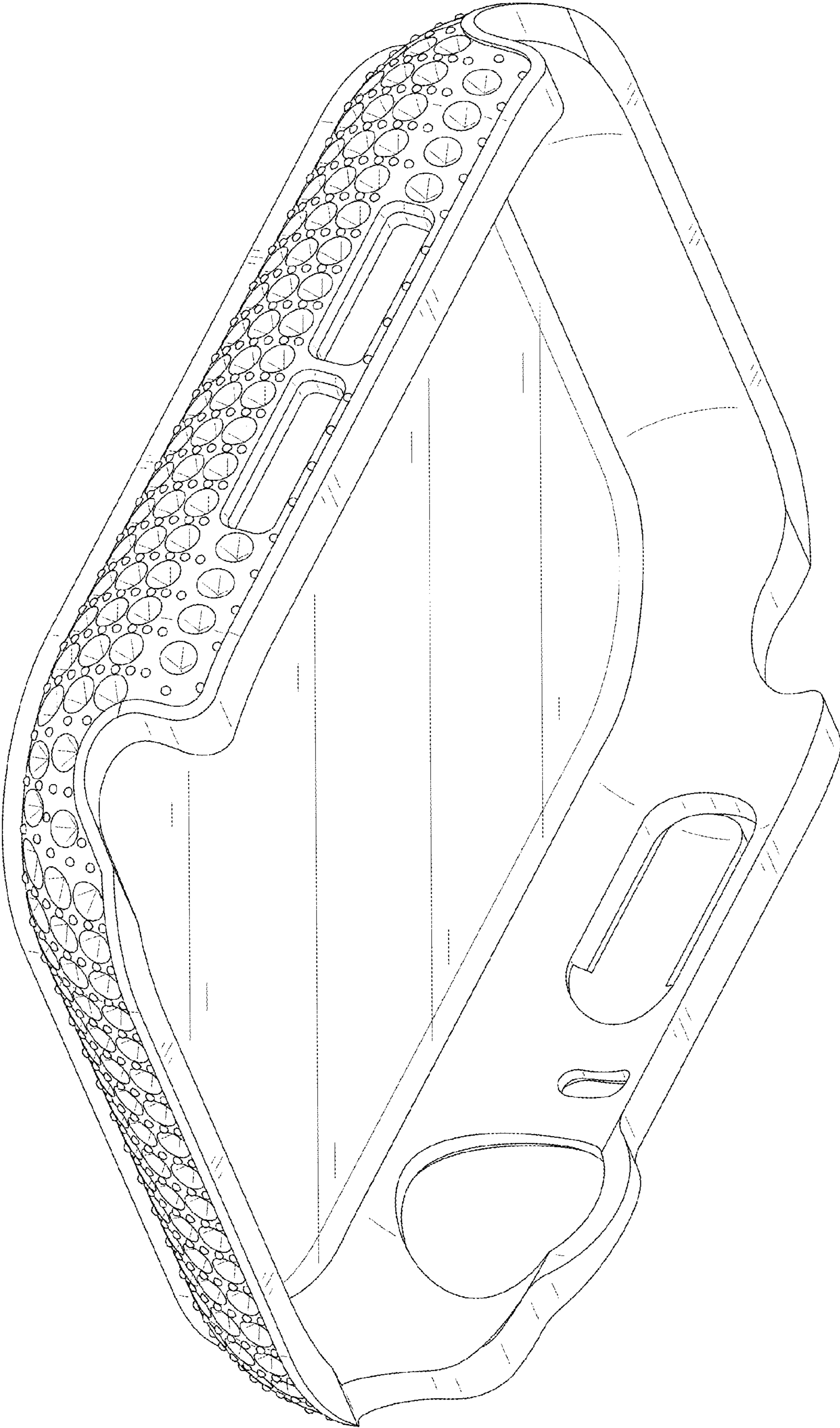


FIG. 2

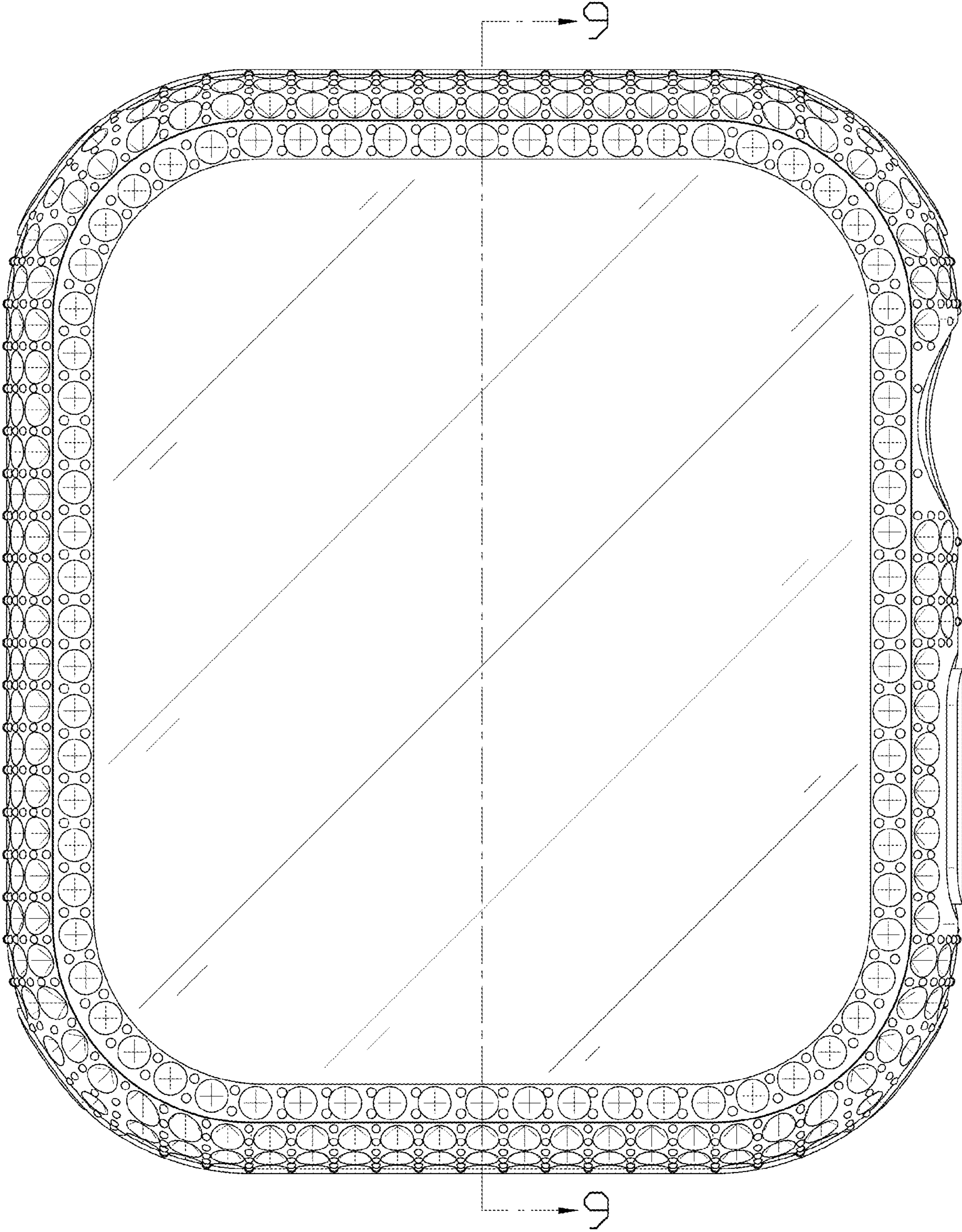


FIG. 3

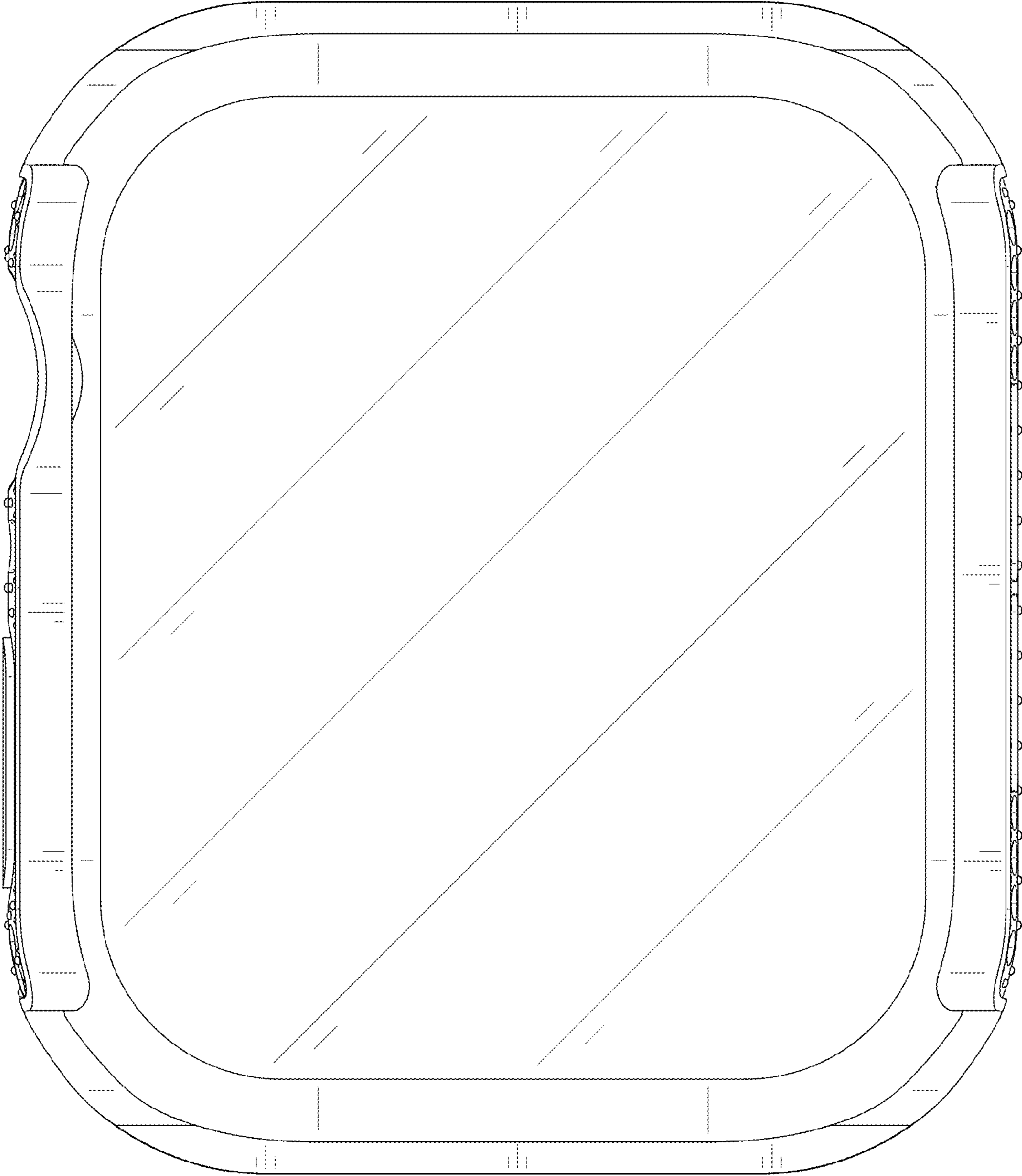


FIG. 4

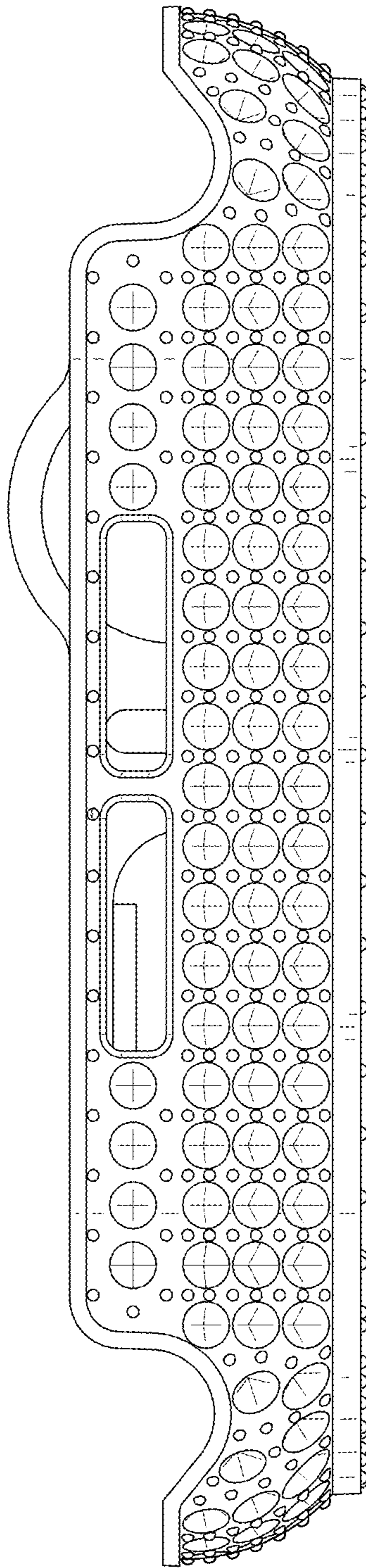


FIG. 5

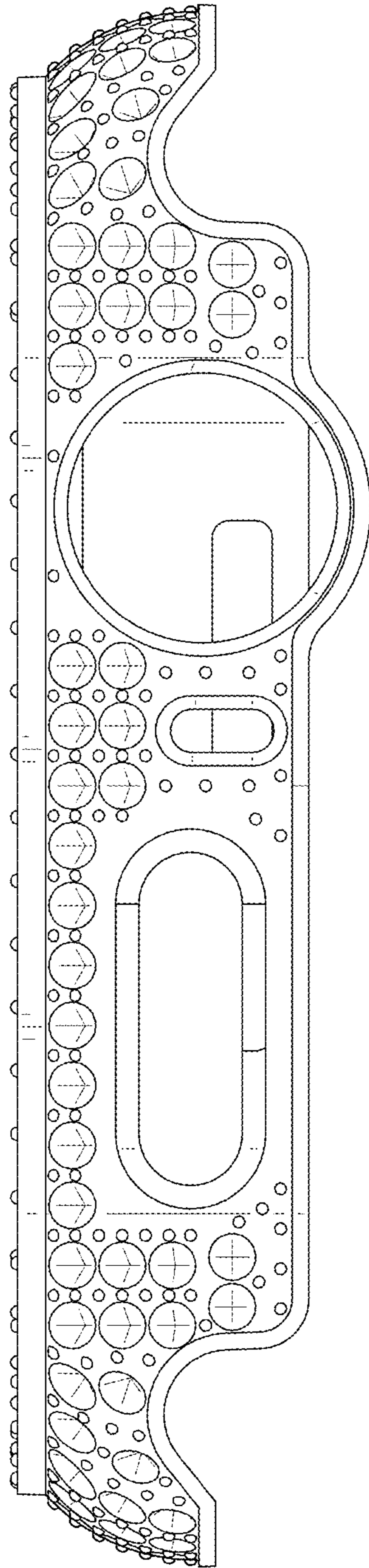


FIG. 6

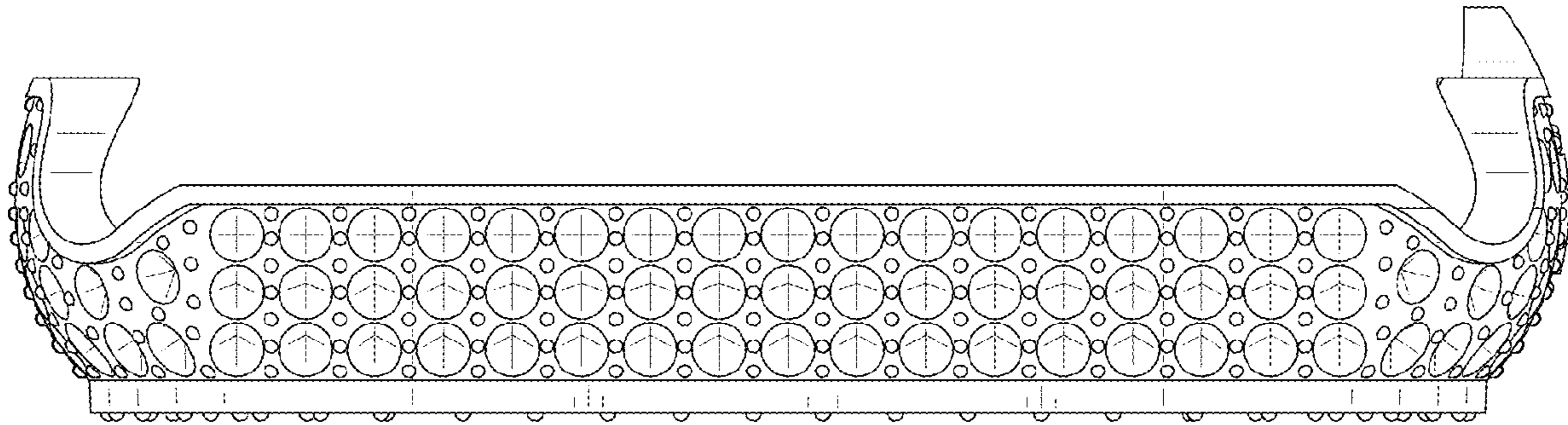


FIG. 7

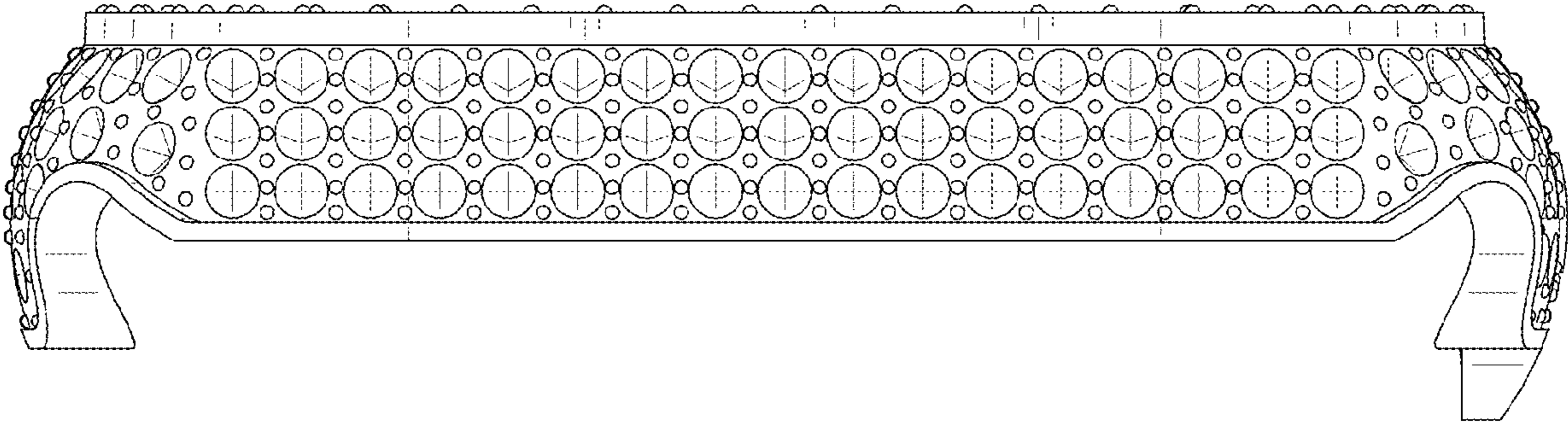


FIG. 8

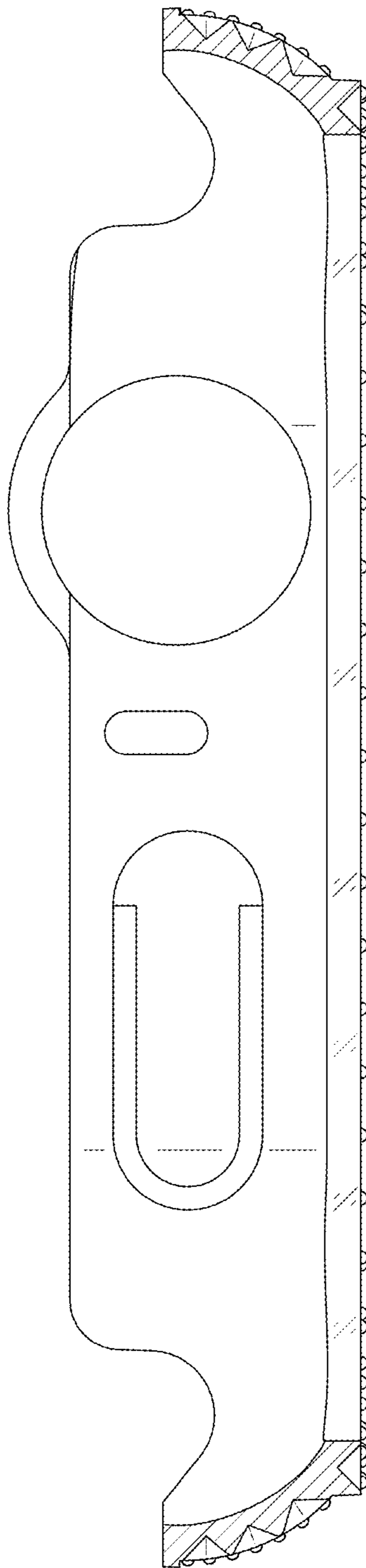


FIG. 9