



US00D925384S

(12) **United States Design Patent** (10) **Patent No.:** **US D925,384 S**
England et al. (45) **Date of Patent:** **** Jul. 20, 2021**

- (54) **AUDIO/VIDEO DOORBELL FACE PLATE**
- (71) Applicant: **Amazon Technologies, Inc.**, Seattle, WA (US)
- (72) Inventors: **Matthew J. England**, Santa Monica, CA (US); **Chia-Wei Chan**, Taipei (TW); **Mikhail Donskoi**, Brovary (UA); **Wen-Yo Lu**, Pasadena, CA (US); **Quynh Anh Nguyen**, Kyiv (UA)
- (73) Assignee: **Amazon Technologies, Inc.**, Seattle, WA (US)
- (**) Term: **15 Years**
- (21) Appl. No.: **29/717,048**
- (22) Filed: **Dec. 13, 2019**
- (51) **LOC (13) Cl.** **10-05**
- (52) **U.S. Cl.**
USPC **D10/121**
- (58) **Field of Classification Search**
USPC D10/106.6, 106.7, 106.8, 116.1, 118, D10/118.2, 121-124, 126; D13/171, 174; D14/358; D16/202, 203, 208, 209, 215
CPC ... G08B 3/00; G08B 3/10; G08B 7/00; G08B 7/06; G08B 13/1436; G08B 13/1463; G08B 13/1481
See application file for complete search history.

D822,518 S *	7/2018	Siminoff	D10/118.2
D822,519 S *	7/2018	Siminoff	D10/118.2
D822,520 S *	7/2018	Siminoff	D10/118.2
D829,209 S *	9/2018	Zheng	D14/388
D829,585 S *	10/2018	Siminoff	D10/118.2
D830,871 S *	10/2018	Siminoff	D10/118.2
D833,313 S *	11/2018	Siminoff	D10/118.2
D837,080 S *	1/2019	Siminoff	D10/118.2
D848,300 S *	5/2019	Siminoff	D10/118.2
D849,082 S *	5/2019	Boling	D16/202
D852,866 S *	7/2019	Siminoff	D16/200
D854,958 S *	7/2019	Siminoff	D10/118.2
D856,838 S *	8/2019	Siminoff	D10/118.2
D858,338 S *	9/2019	Yu	D10/118.2
D859,200 S *	9/2019	Siminoff	D10/118.2
D860,029 S *	9/2019	Yang	D10/118.2
D860,176 S *	9/2019	Siminoff	D14/240
D866,379 S *	11/2019	Siminoff	D10/118.2
D866,380 S *	11/2019	Siminoff	D10/118.2

(Continued)

Primary Examiner — George D. Kirschbaum
Assistant Examiner — Joseph J Kukella
(74) *Attorney, Agent, or Firm* — Lee & Hayes, P.C.

(57) **CLAIM**

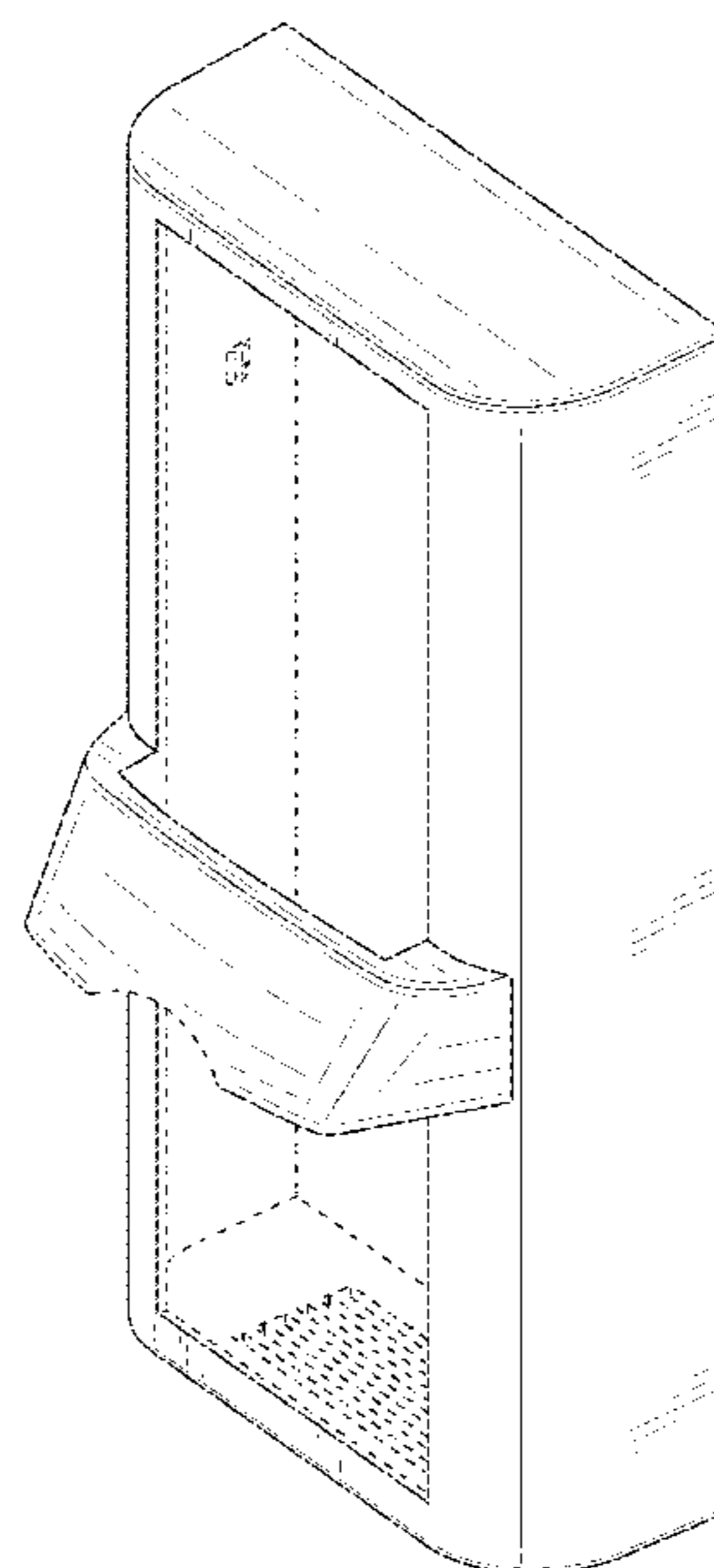
The ornamental design for an audio/video doorbell face plate, as shown and described.

DESCRIPTION

FIG. 1 is a front, top, right-side perspective view of an audio/video doorbell face plate;
FIG. 2 is a back, top, right-side perspective view thereof;
FIG. 3 is a front elevation view thereof;
FIG. 4 is a back elevation view thereof;
FIG. 5 is a right-side elevation view thereof;
FIG. 6 is a left-side elevation view thereof;
FIG. 7 is a top plan view thereof; and,
FIG. 8 is a bottom plan view thereof.
The dashed broken lines depict portions of the audio/video doorbell face plate that form no part of the claimed design.

1 Claim, 8 Drawing Sheets

- (56) **References Cited**
U.S. PATENT DOCUMENTS
D788,061 S * 5/2017 Siminoff D14/159
D789,820 S * 6/2017 Siminoff D10/118.2
D817,208 S * 5/2018 Ravat D10/118.2
D819,476 S * 6/2018 Siminoff D10/118.2
D820,137 S * 6/2018 Siminoff D10/118.2
D820,707 S * 6/2018 Siminoff D10/118.2
D820,708 S * 6/2018 Siminoff D10/118.2



(56)

References Cited

U.S. PATENT DOCUMENTS

D866,381 S	*	11/2019	Siminoff	D10/120
D870,587 S	*	12/2019	Siminoff	D10/118.2
D882,443 S	*	4/2020	Siminoff	D10/118.2
D889,300 S	*	7/2020	Siminoff	D10/118.2
D889,301 S	*	7/2020	Siminoff	D10/118.2
D901,471 S	*	11/2020	Siminoff	D14/240

* cited by examiner

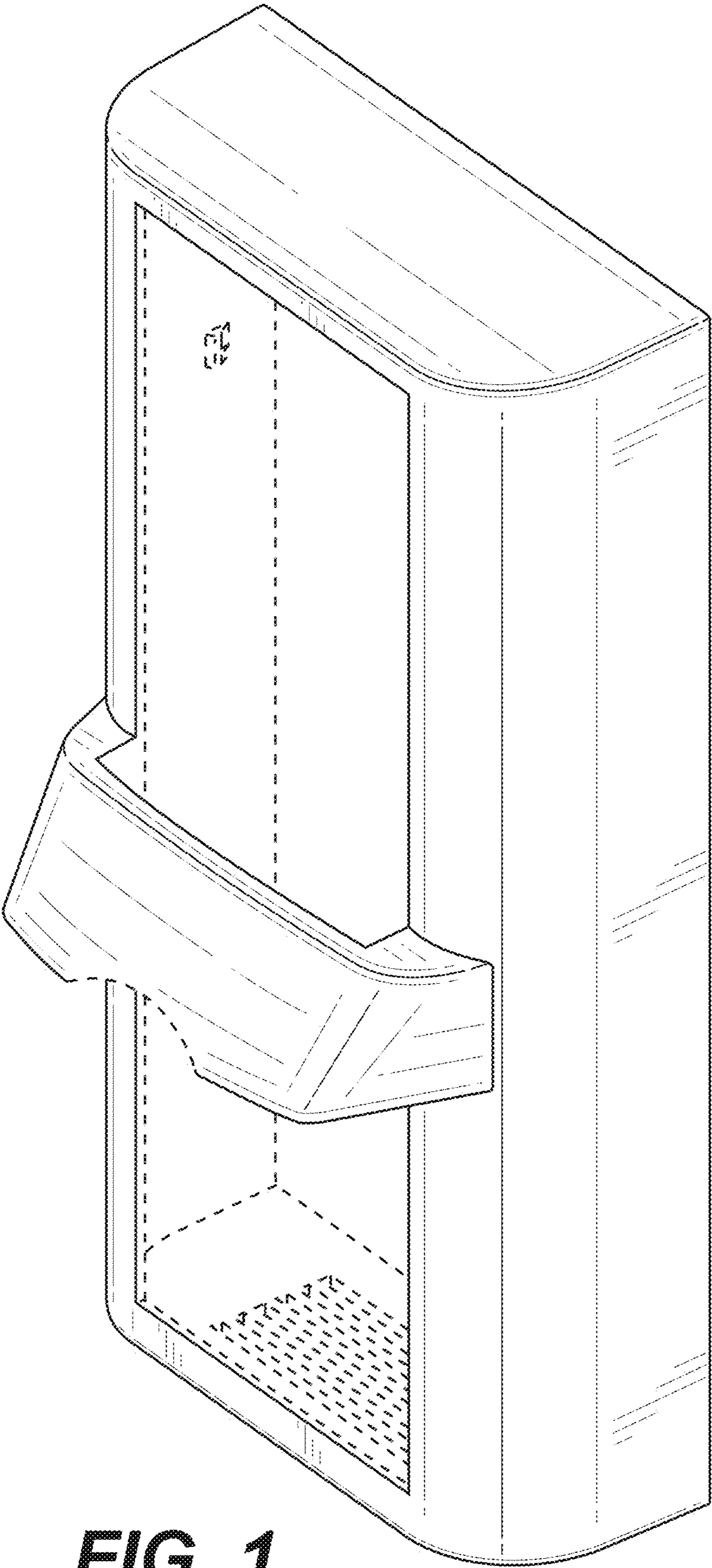


FIG. 1

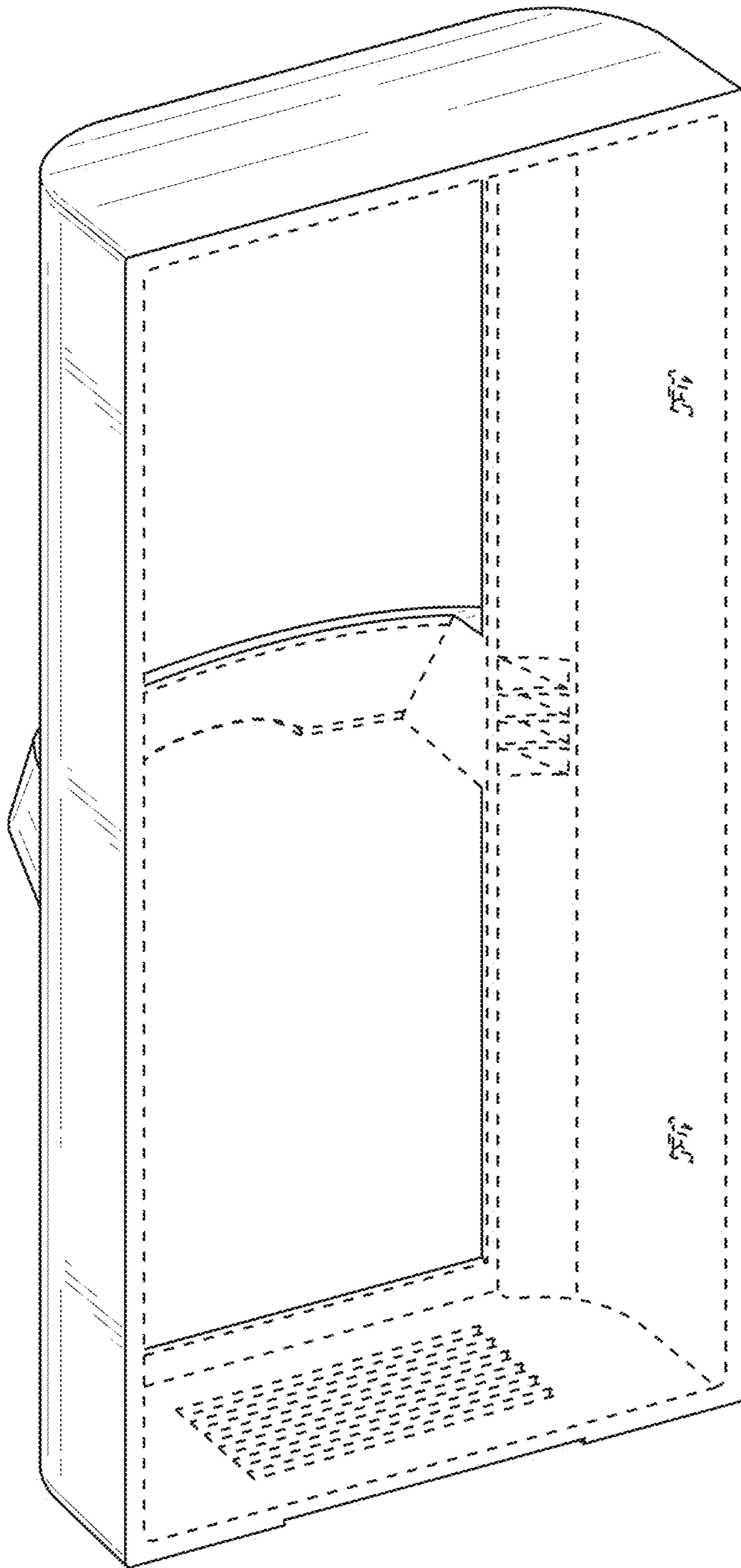


FIG. 2

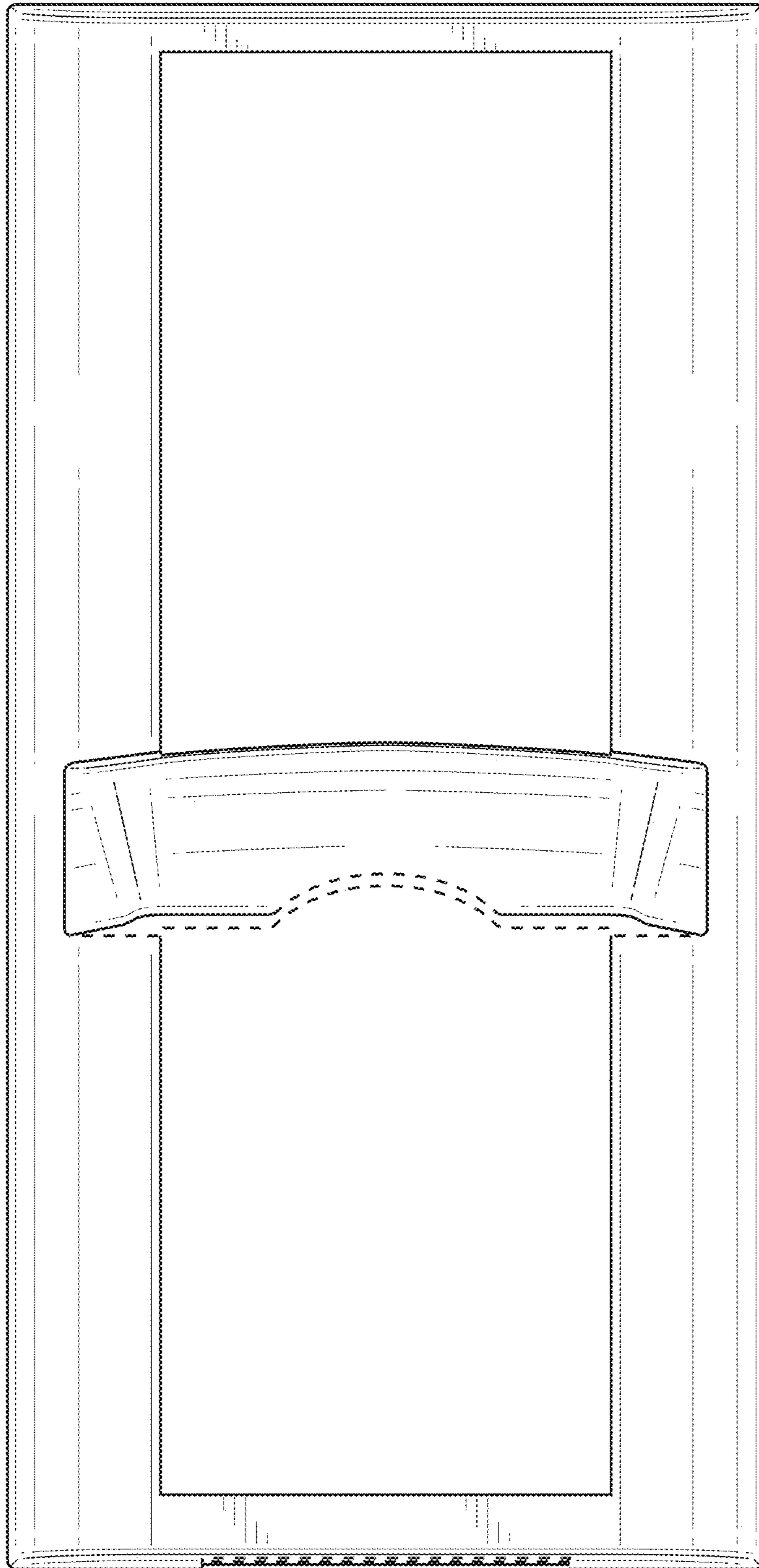


FIG. 3

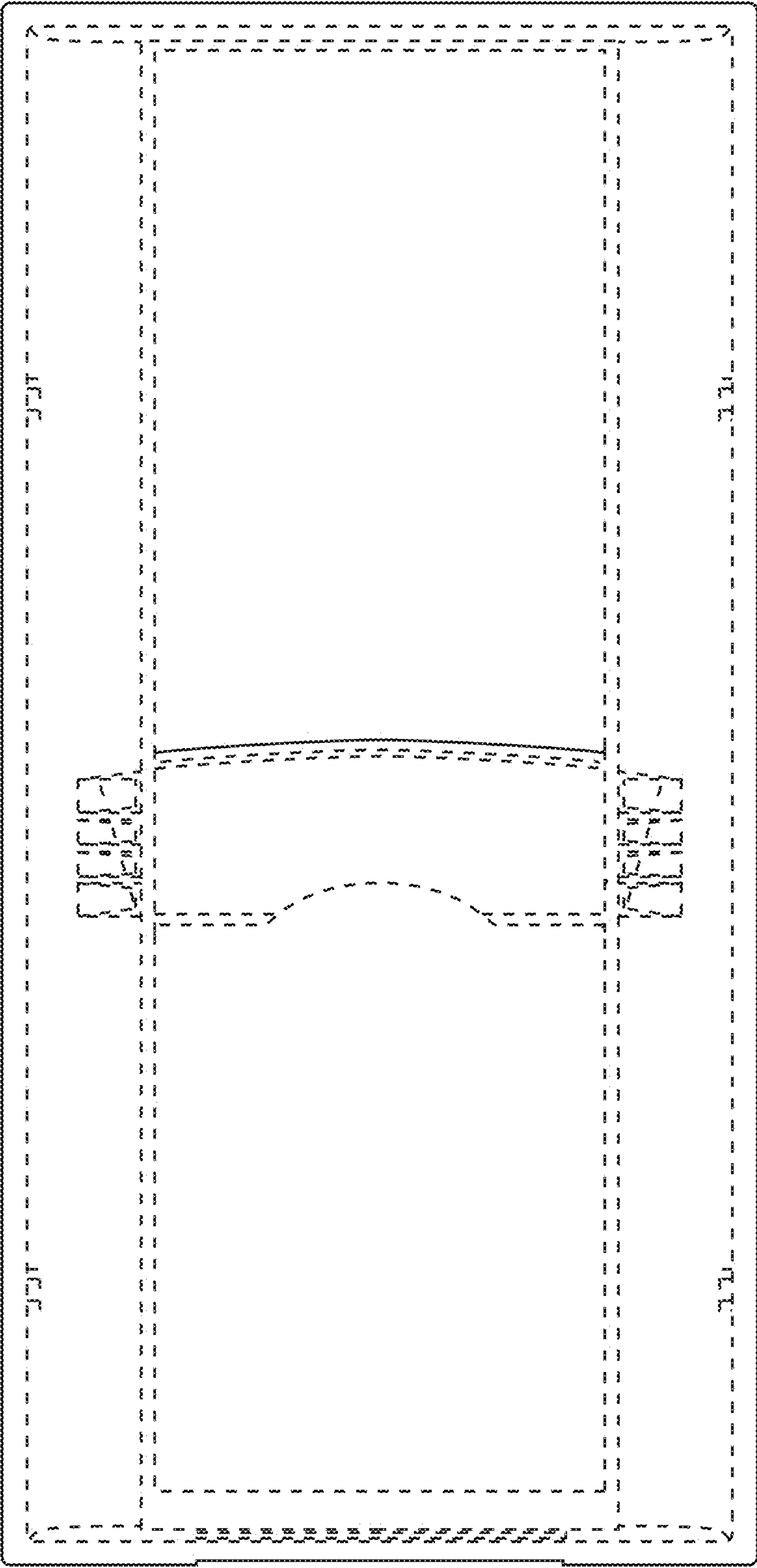


FIG. 4

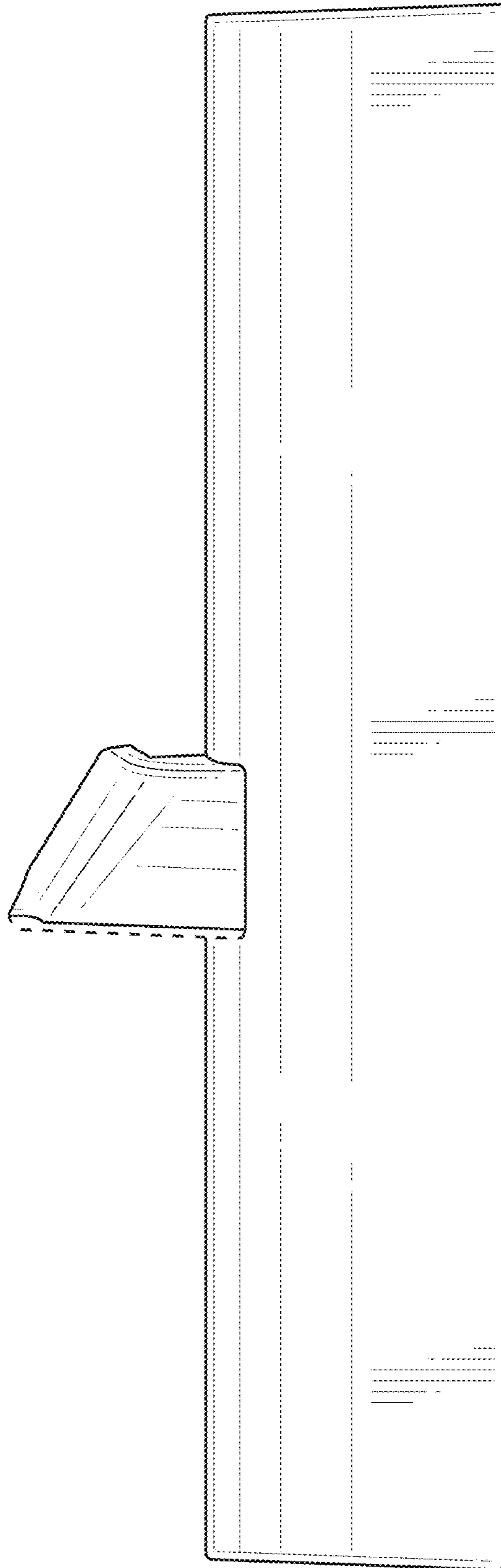


FIG. 5

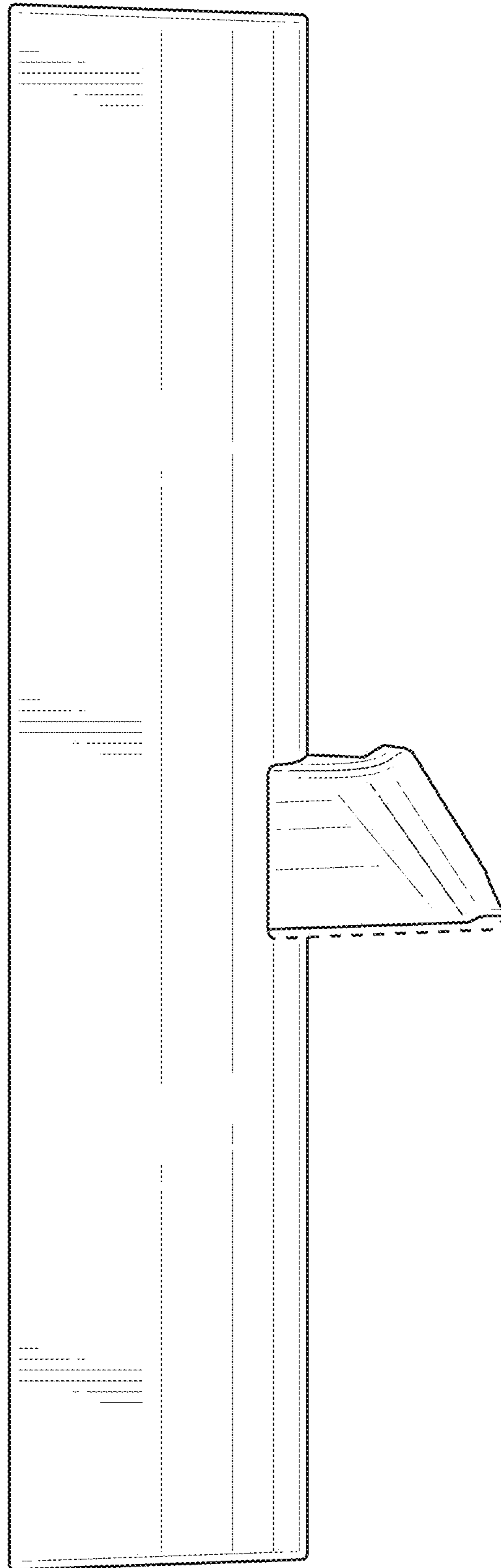


FIG. 6

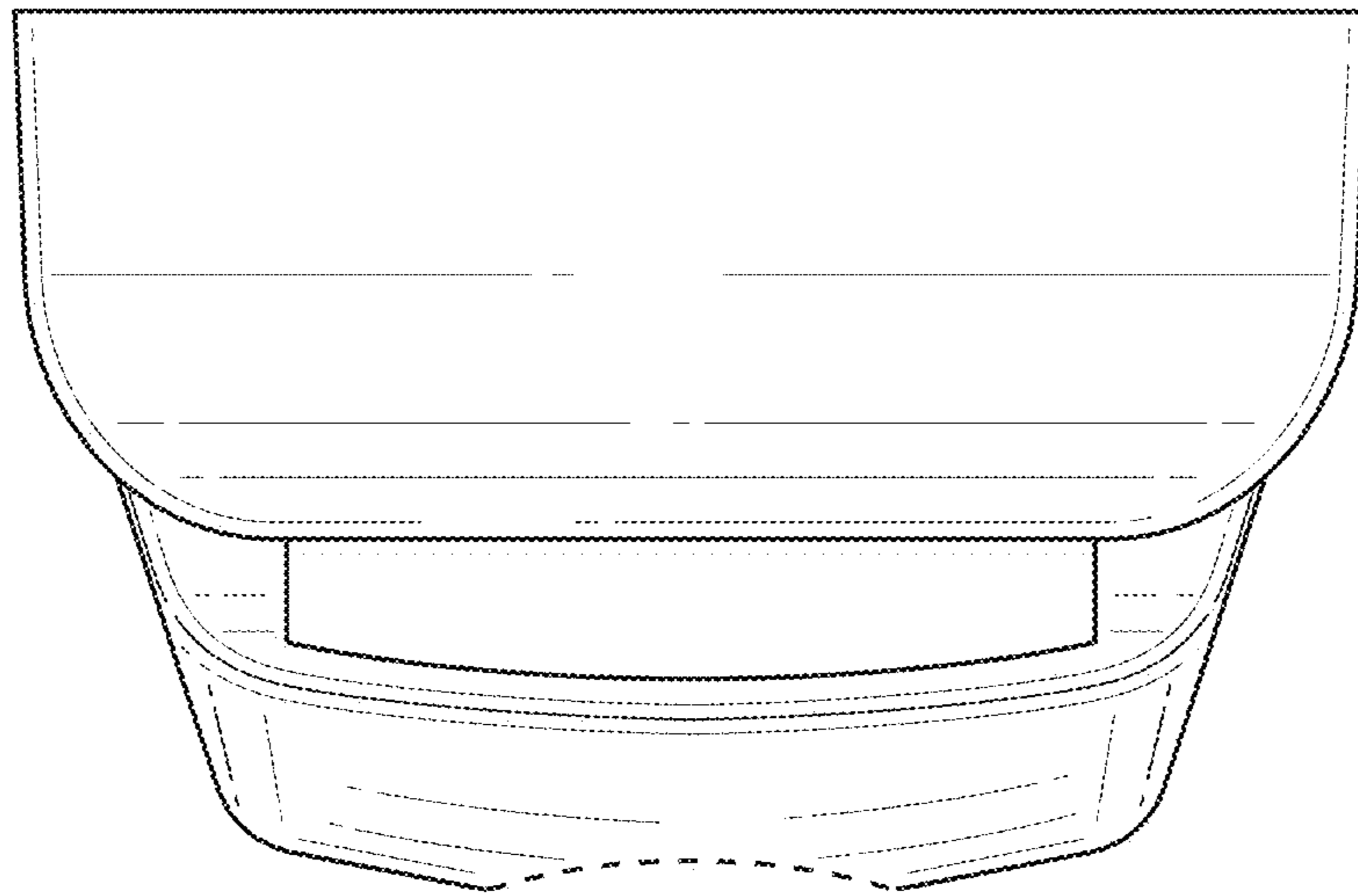


FIG. 7

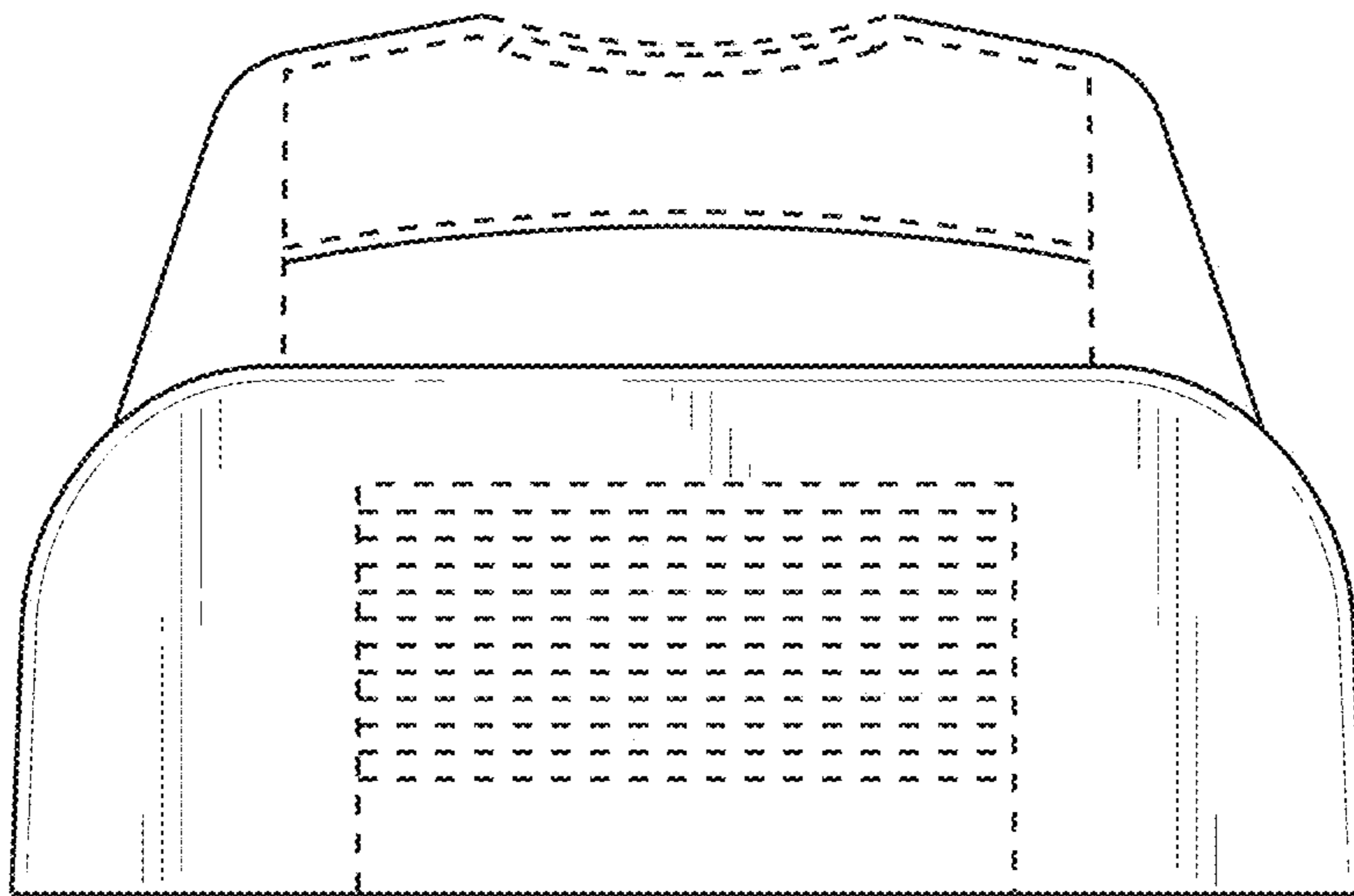


FIG. 8