



US00D925383S

(12) **United States Design Patent**
Wu

(10) **Patent No.:** **US D925,383 S**

(45) **Date of Patent:** **** Jul. 20, 2021**

(54) **SCALE**

(71) Applicant: **Xi Li Wu**, Zhuhai Guangdong (CN)

(72) Inventor: **Xi Li Wu**, Zhuhai Guangdong (CN)

(73) Assignee: **ROCDAN LIMITED**, Hong Kong (HK)

(**) Term: **15 Years**

(21) Appl. No.: **29/766,798**

(22) Filed: **Jan. 19, 2021**

(51) **LOC (13) Cl.** **10-04**

(52) **U.S. Cl.**
USPC **D10/92**

(58) **Field of Classification Search**
USPC D10/92
CPC G01G 21/28; G01G 21/283; G01G 21/286;
G01G 21/30; G01G 23/37; G01G
23/3728; G01G 23/3735; G01G 19/44;
G01G 19/445; G01G 19/46; G01G 19/48;
G01G 19/50; G01G 21/44; A61B 5/053;
A61B 5/4872; A61B 5/0537; A61B
5/4869; A61B 5/6825; A61B 5/6829;
A61B 5/7445
See application file for complete search history.

(56) **References Cited**

U.S. PATENT DOCUMENTS

D396,196 S * 7/1998 Jacobs D10/92
D700,094 S 2/2014 Pukall et al.

D706,657 S 6/2014 Pukall et al.
D808,287 S * 1/2018 Liang D10/92
D808,288 S * 1/2018 Yu D10/92
D834,434 S 11/2018 Huckestein
D853,260 S 7/2019 Wang
D860,841 S 9/2019 Wang
D865,552 S 11/2019 Ying
D883,118 S * 5/2020 Centen D10/91
D888,592 S 6/2020 Huckestein

* cited by examiner

Primary Examiner — Antoine Duval Davis

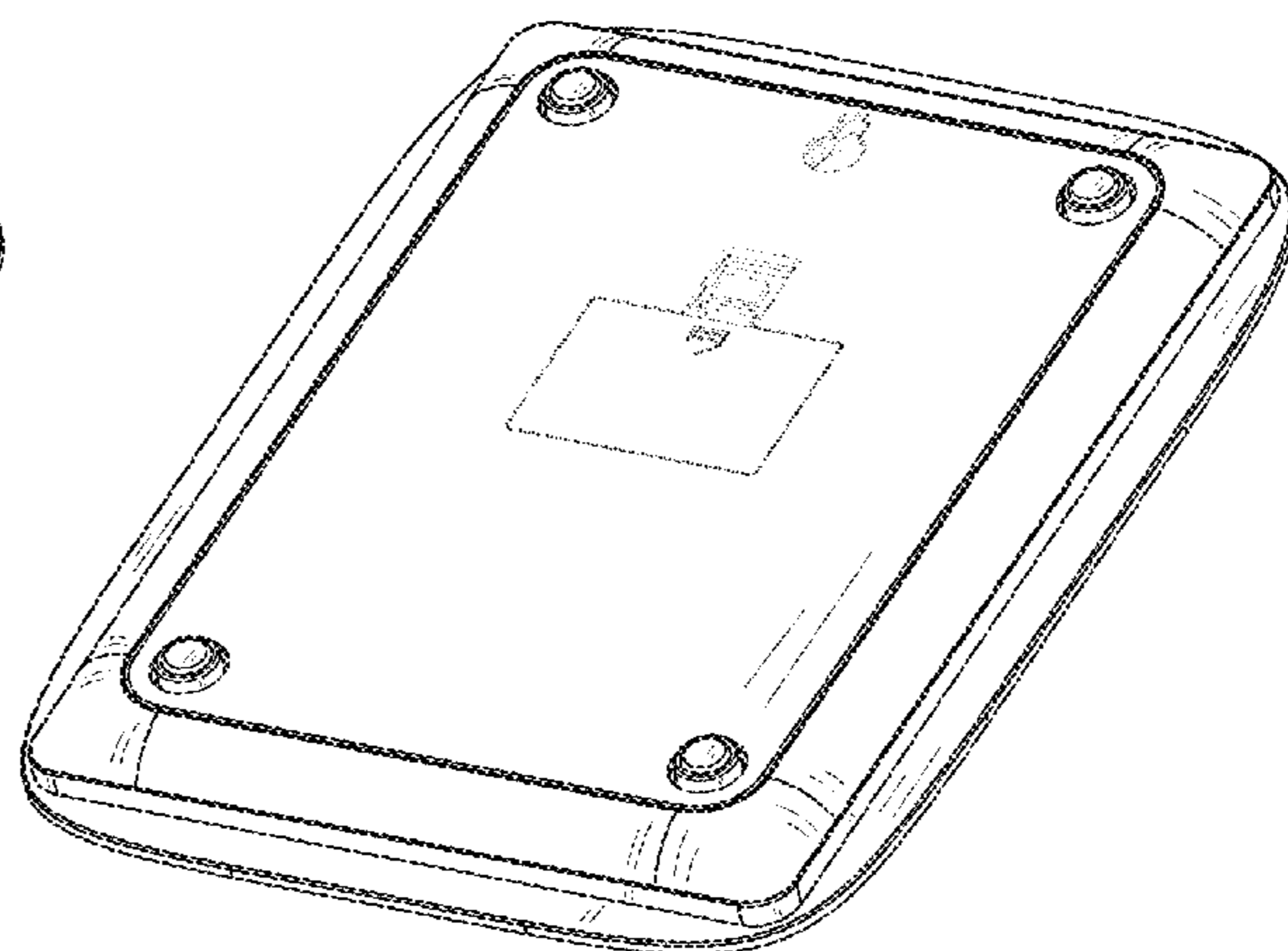
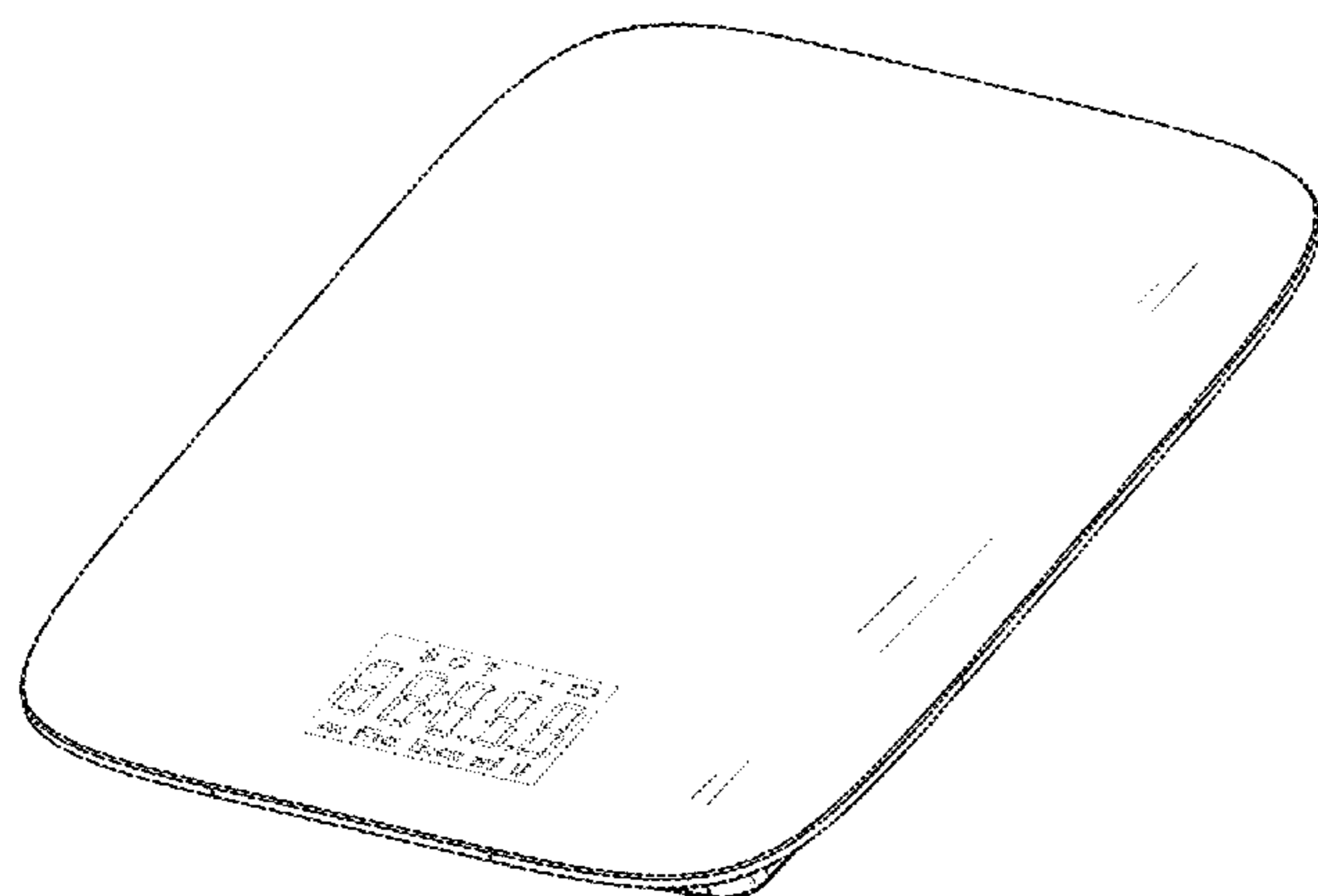
(57) **CLAIM**

The ornamental design for a scale, as shown and described.

DESCRIPTION

FIG. 1 is a front perspective view of a scale according to the present invention;
FIG. 2 is a rear perspective view thereof;
FIG. 3 is a front elevation view of thereof;
FIG. 4 is a rear elevation view thereof;
FIG. 5 is an enlarged left side view thereof, the right side view being mirror image thereof; and,
FIG. 6 is an enlarged top side view thereof, the bottom side view being mirror image thereof.
The broken lines illustrate portions of the scale which form no part of the claimed design.

1 Claim, 6 Drawing Sheets



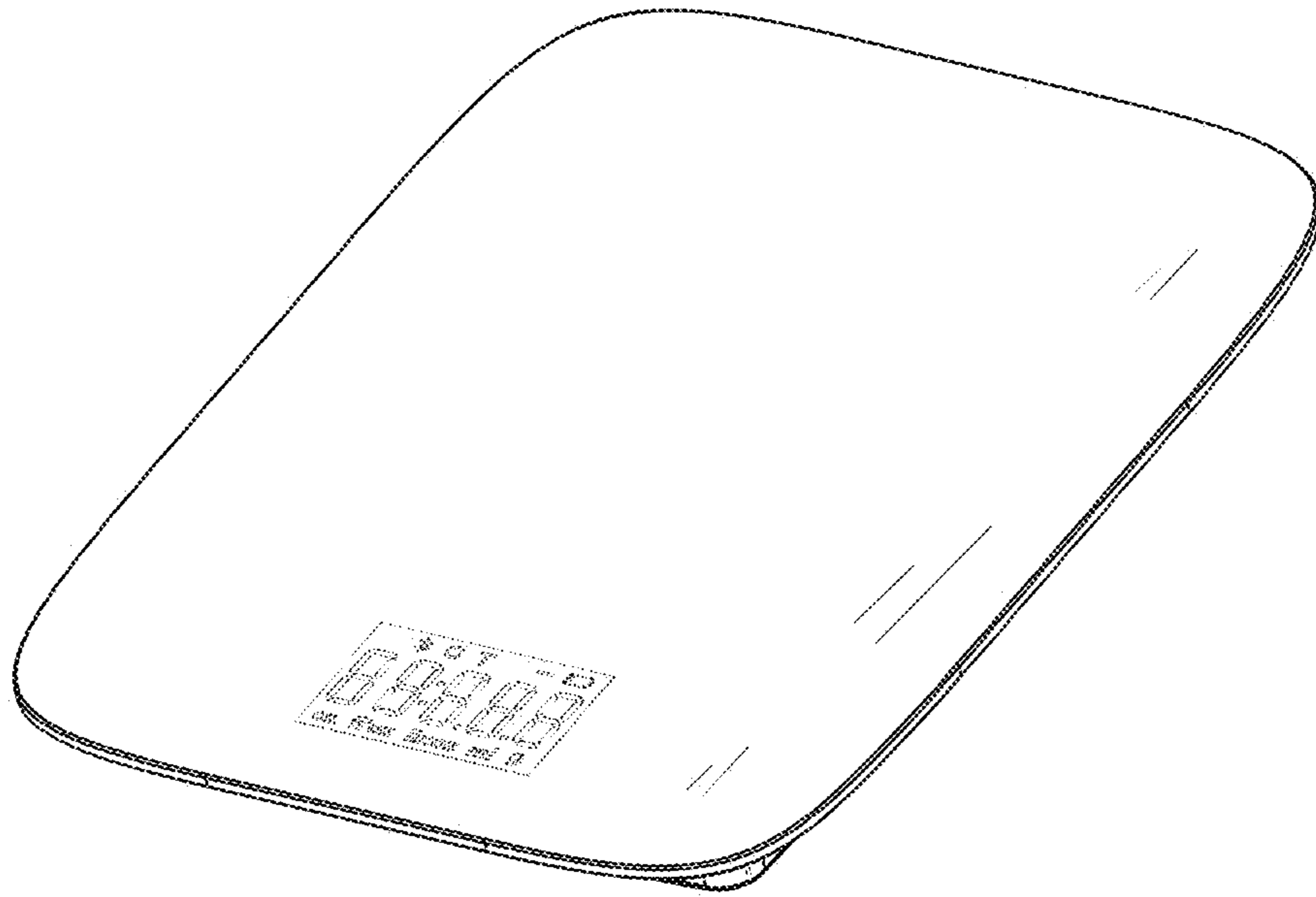


FIG. 1

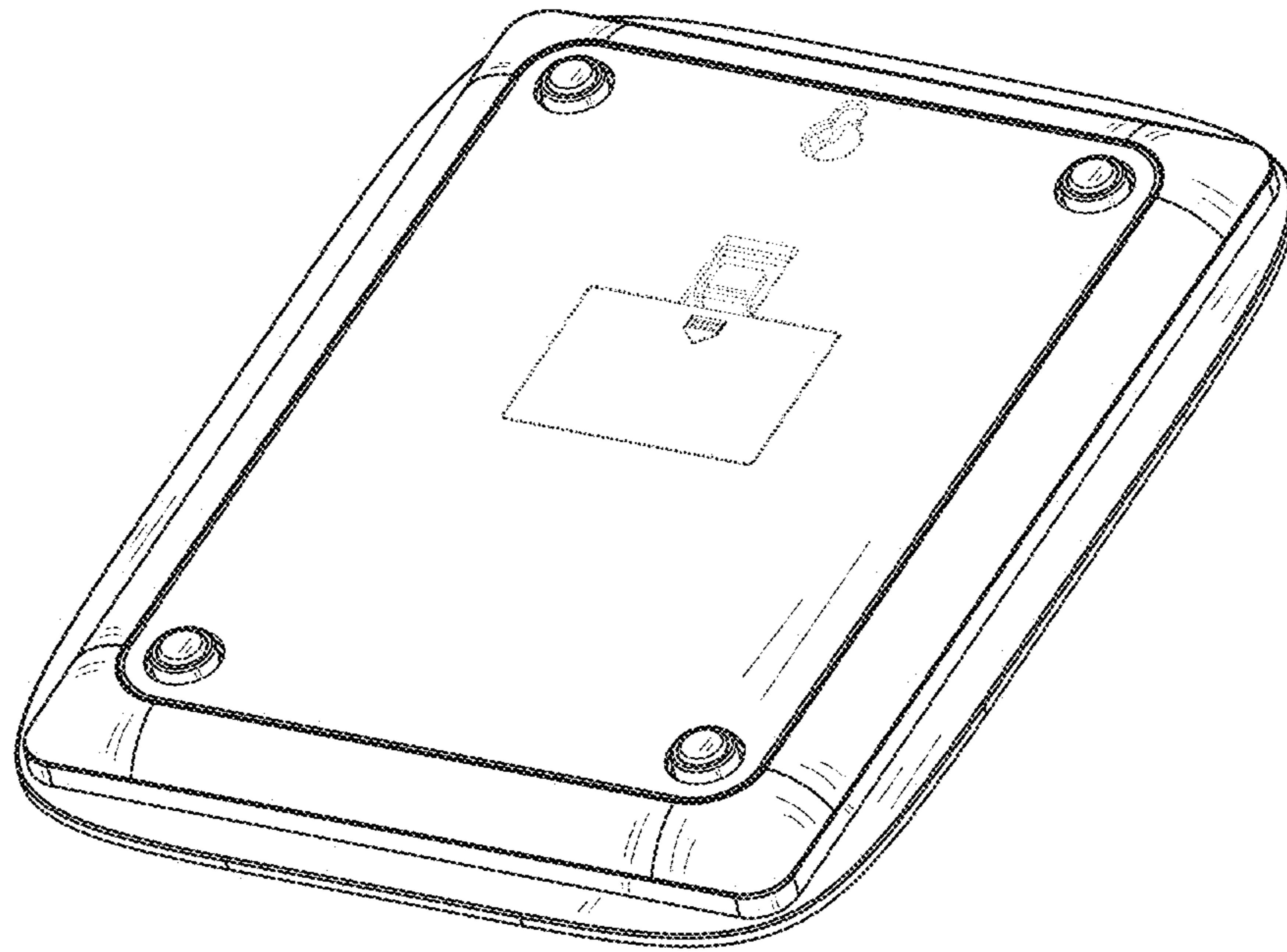


FIG. 2

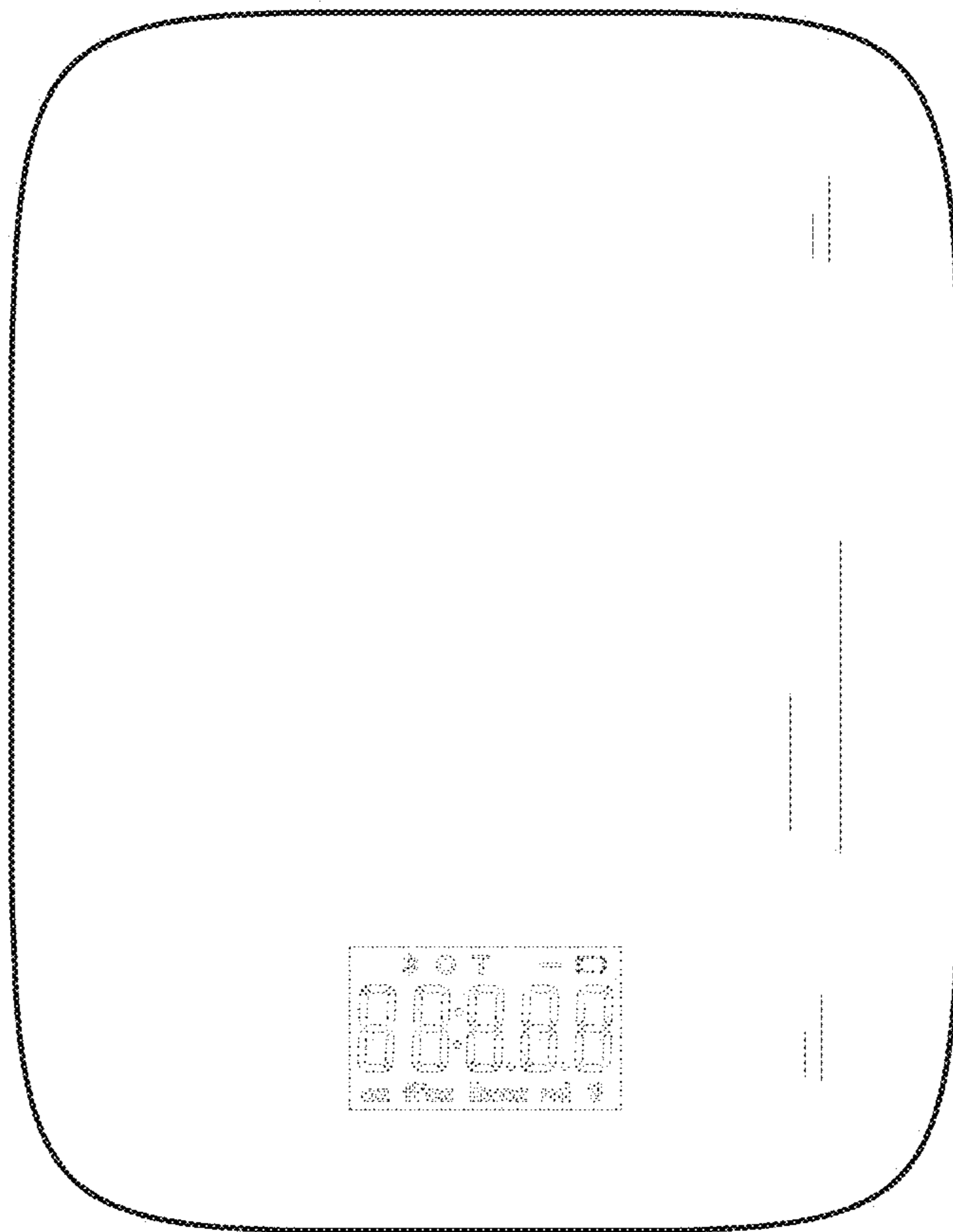


FIG. 3

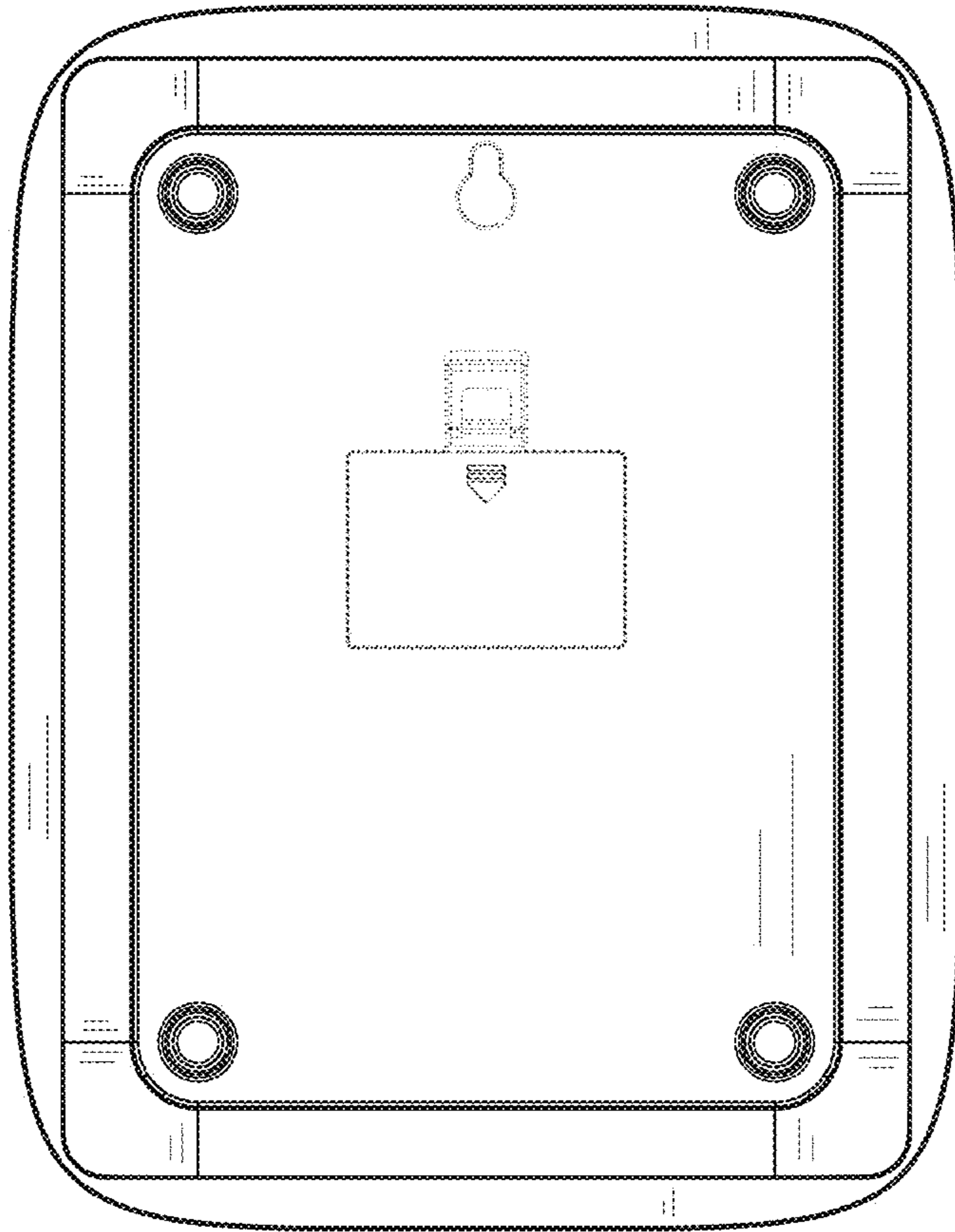


FIG. 4

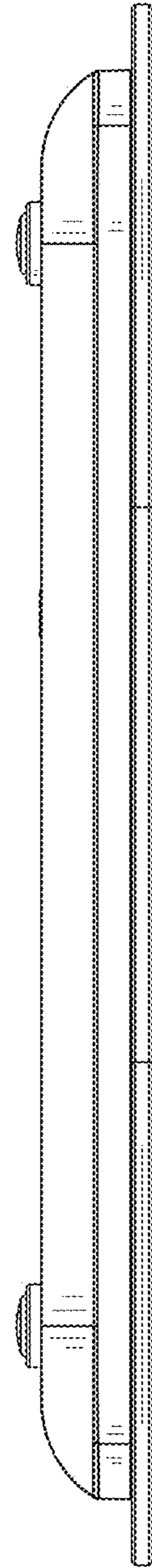


FIG. 5

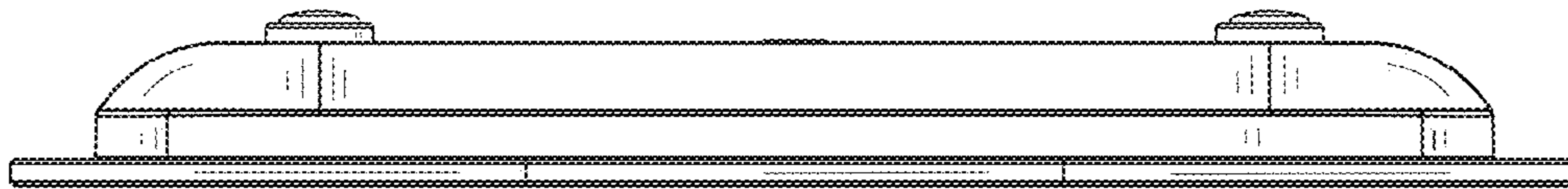


FIG. 6