



US00D925382S

(12) **United States Design Patent** (10) **Patent No.:** **US D925,382 S**
Jiang (45) **Date of Patent:** **** Jul. 20, 2021**

(54) **ELECTRONIC SCALE**
(71) Applicant: **Yan Jiang**, Guangdong (CN)
(72) Inventor: **Yan Jiang**, Guangdong (CN)
(**) Term: **15 Years**
(21) Appl. No.: **29/711,274**
(22) Filed: **Oct. 30, 2019**

D842,731 S * 3/2019 Hong D10/91
D851,522 S * 6/2019 Hong D10/94
D869,314 S * 12/2019 Ma D10/91
(Continued)

FOREIGN PATENT DOCUMENTS

CN 303179206 * 4/2015
CN 305130289 * 11/2018
(Continued)

OTHER PUBLICATIONS

Weightman Store, Digital Pocket Scale, Date first available Aug. 25, 2020, [online]retrieved Apr. 19, 2021,available from https://www.amazon.com/Weightman-Calibration-Conversion-Auto-off-Function/dp/B08GLTXZS/ref=sr_1_53?dchild=1&keywords=digital+pocket+gram+scale&qid=1618849957&sr=8-53 (Year: 2020).*

(Continued)

Primary Examiner — Keli L Hill
Assistant Examiner — Sara S Sahneh

(57) **CLAIM**

The ornamental design for an electronic scale, as shown and described.

DESCRIPTION

FIG. 1 is a perspective view of an electronic scale showing my new design;
FIG. 2 is another perspective view thereof;
FIG. 3 is a front elevational view thereof;
FIG. 4 is a rear elevational view thereof;
FIG. 5 is a left side view thereof;
FIG. 6 is a right side view thereof;
FIG. 7 is a top plan view thereof;
FIG. 8 is a bottom plan view thereof; and,
FIG. 9 is a perspective view of an alternate in use configuration of thereof.
The broken lines shown in electronic scale form no part of the claimed design.

1 Claim, 9 Drawing Sheets

(30) **Foreign Application Priority Data**

Sep. 17, 2019 (CN) 201930510034.9

(51) **LOC (13) Cl.** **10-04**
(52) **U.S. Cl.**
USPC **D10/91; D10/92**

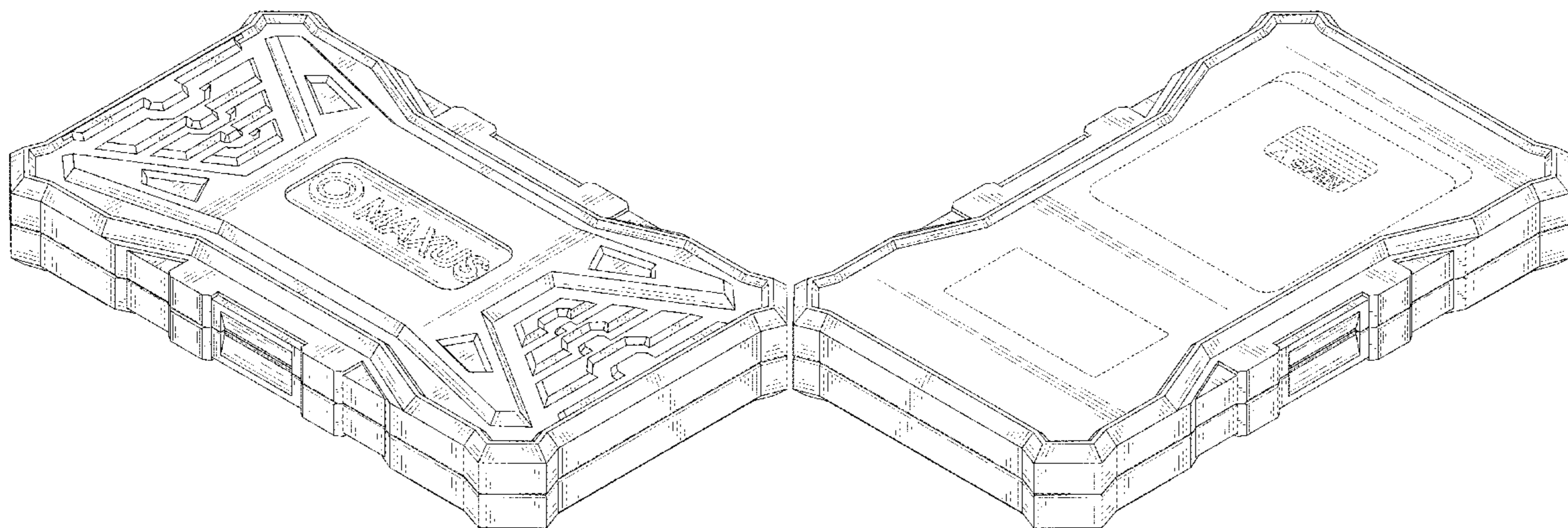
(58) **Field of Classification Search**
USPC D10/91, 92, 46, 83, 87; 177/128, 256, 177/74, 179
CPC G01G 21/286; G01G 21/28; G01G 21/00; G01G 21/30; G01G 23/3728; G01G 23/3735; G01G 19/44; G01G 3/14; G01G 19/46; G01G 19/48; G01G 19/50; G01G 21/44; G01G 19/414; G01G 19/4144; G01G 19/42; F16F 1/123; A61B 5/053; A61B 5/4872; A61B 5/0537; A61B 5/4869; A61B 5/6825; A61B 5/6829; A61B 5/7445; G06Q 20/3678; G06Q 20/387; G06Q 20/065; G06Q 20/36; G06Q 20/06; G09B 19/00

See application file for complete search history.

(56) **References Cited**

U.S. PATENT DOCUMENTS

D548,122 S * 8/2007 Vantine D10/91
D550,108 S * 9/2007 Kesselman D10/91
D682,129 S * 5/2013 Kesselman D10/91
D702,144 S * 4/2014 Kobayakawa D10/91
D778,748 S * 2/2017 Nugent D10/94
9,903,752 B2 * 2/2018 Pan G01G 21/28
D837,672 S * 1/2019 Hong D10/91



(56)

References Cited

U.S. PATENT DOCUMENTS

D894,768 S * 9/2020 Ma D10/91
 D897,875 S * 10/2020 Ma D10/91
 2002/0195281 A1* 12/2002 Zahriya G01G 21/22
 177/127

FOREIGN PATENT DOCUMENTS

CN 305630465 * 11/2018
 KR 301047573.0000 * 9/2019

OTHER PUBLICATIONS

AMIR ,Digital Milligram Scale, Date first available Jun. 19, 2020, [online]retrieved Apr. 19, 2021,available from https://www.amazon.com/Professional-Milligram-Precision-Electronic-Calibration/dp/B08BHMWP1V/ref=sr_1_30_sspa?dchild=1&gclid=EAIalQobChMlq96R6NyK8AIVAeazCh2RXABxEAAAYAiAAEglFaPD_BwE&hvadid=43900 (Year: 2020).*

Fuzion, Digital Pocket Scale, Date first available Feb. 18, 2019, [online]retrieved Apr. 19, 2021,available from https://www.amazon.com/dp/B07L8ZVVM/ref=sspa_dk_detail_1?pd_rd_i=B07L8ZVVRMp13NParams&spLa=ZW5jcnlwdGVkUXVhbGlmaWVyPUExUjdEVFdBQUExNUY0JmVuY3J5cHRIZEikPUEwNzY1NDM1M08xSk01SkRHMkcmZW5jcnlwd (Year: 2019).*

Maxus Store, Small Gram Scale, Date first available Dec. 18, 2020,[online]retrieved Apr. 19, 2021,available from https://www.amazon.com/0-01g-200g-Rubberized-Scale-Portable-Precision-Calibration/dp/B08G1C5L5C/ref=sr_1_16?dchild=1&gclid=EAIalQobChMlq96R6NyK8AIVAeazCh2RXABxEAAAYAiAAEglFaPD_BwE& (Year: 2020).*

* cited by examiner

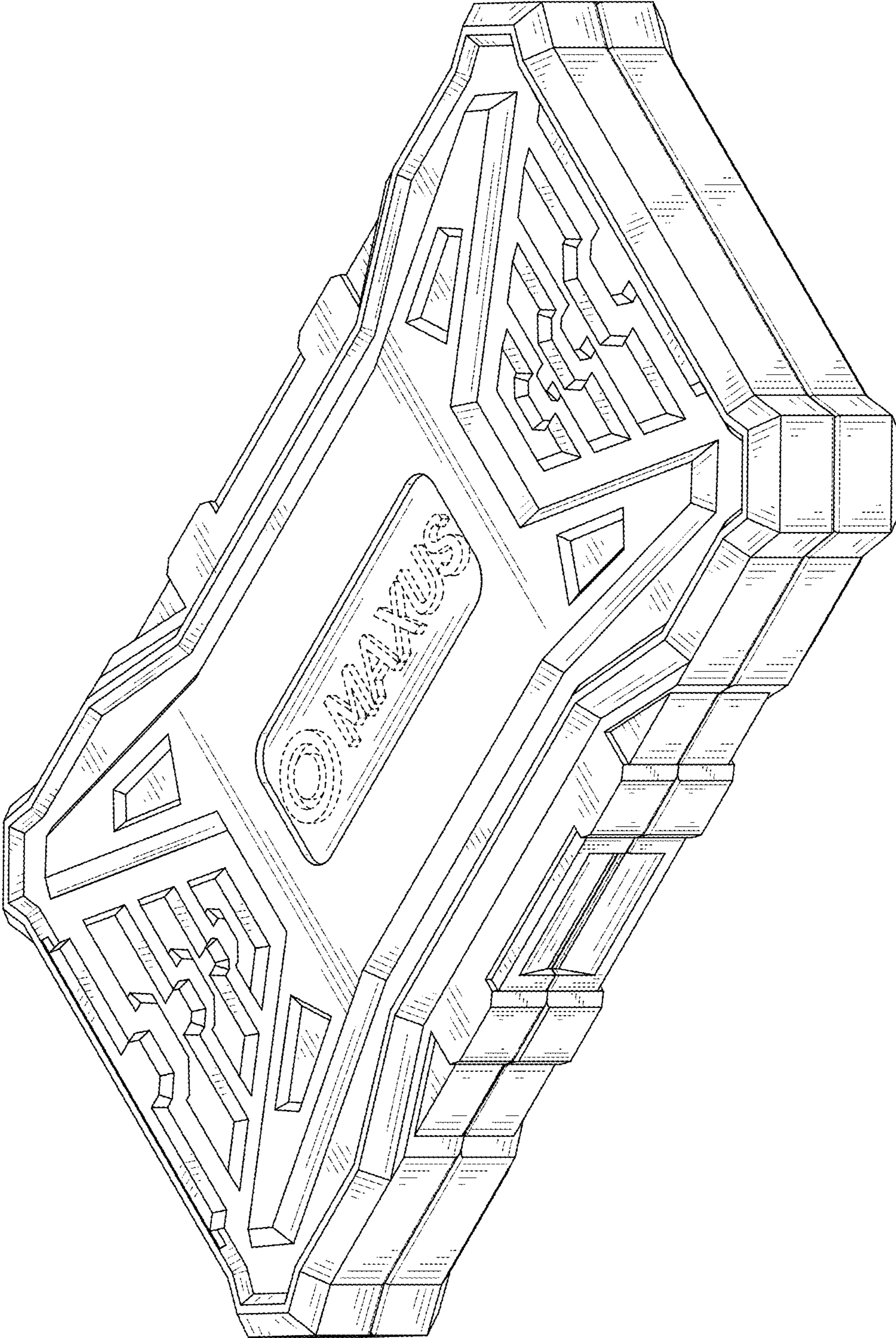


FIG. 1

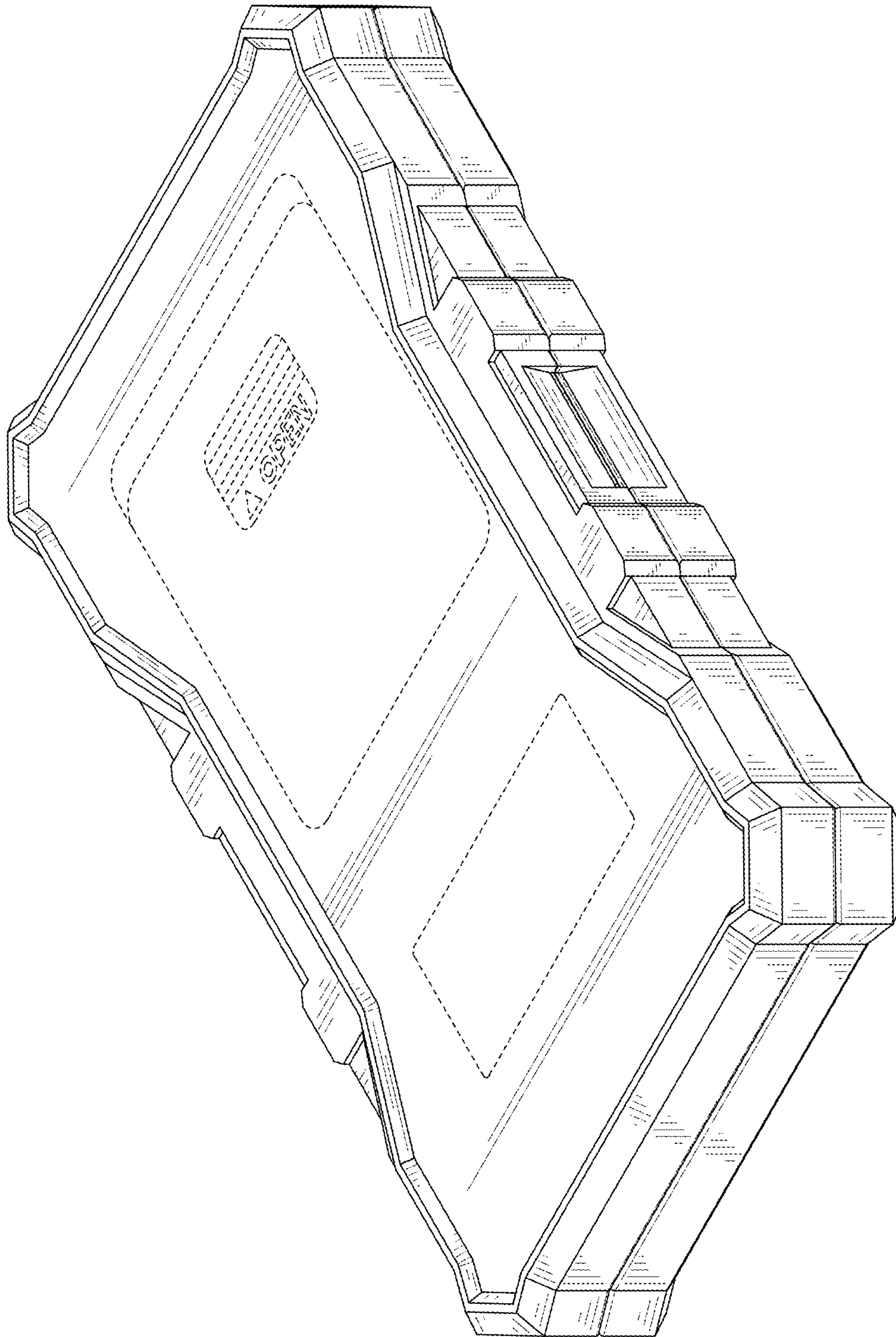


FIG. 2

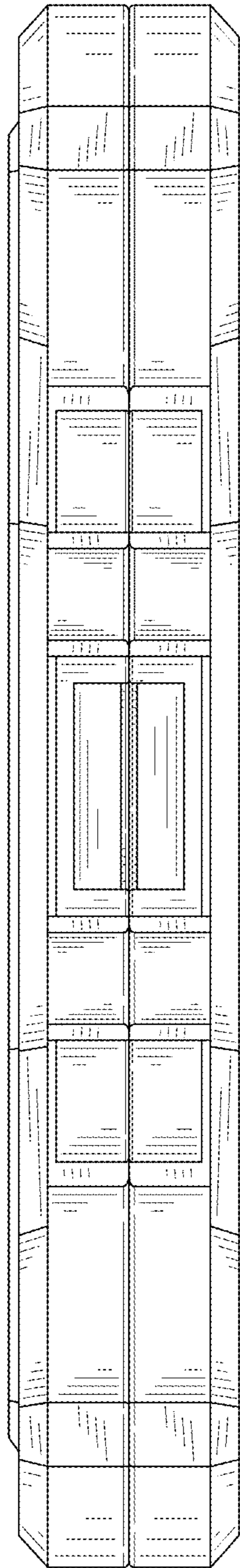


FIG. 3

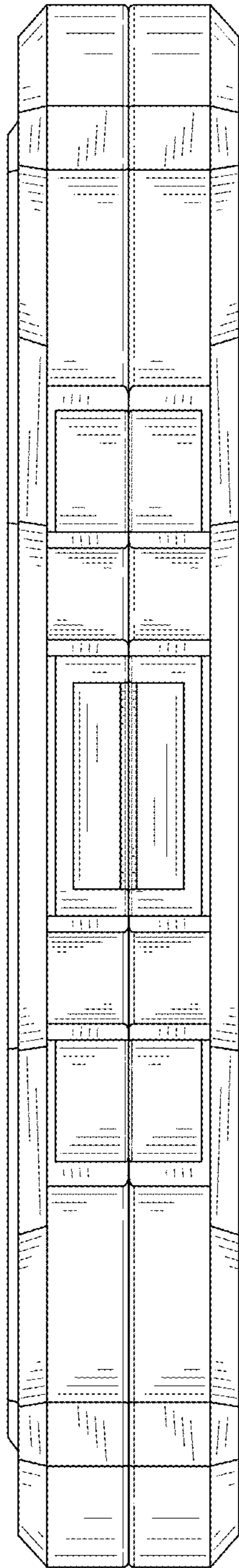


FIG. 4

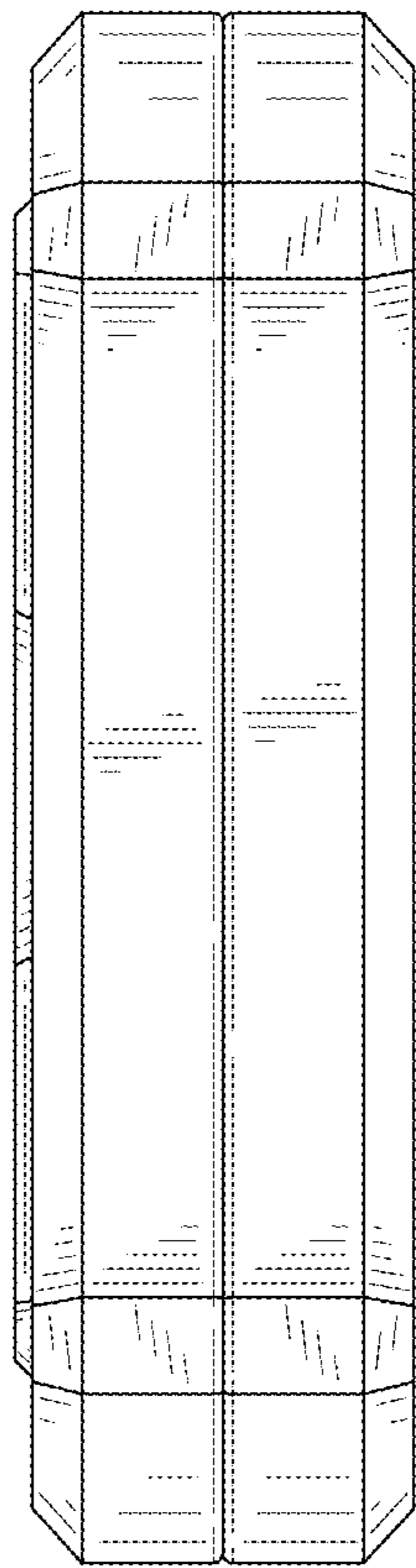


FIG. 5

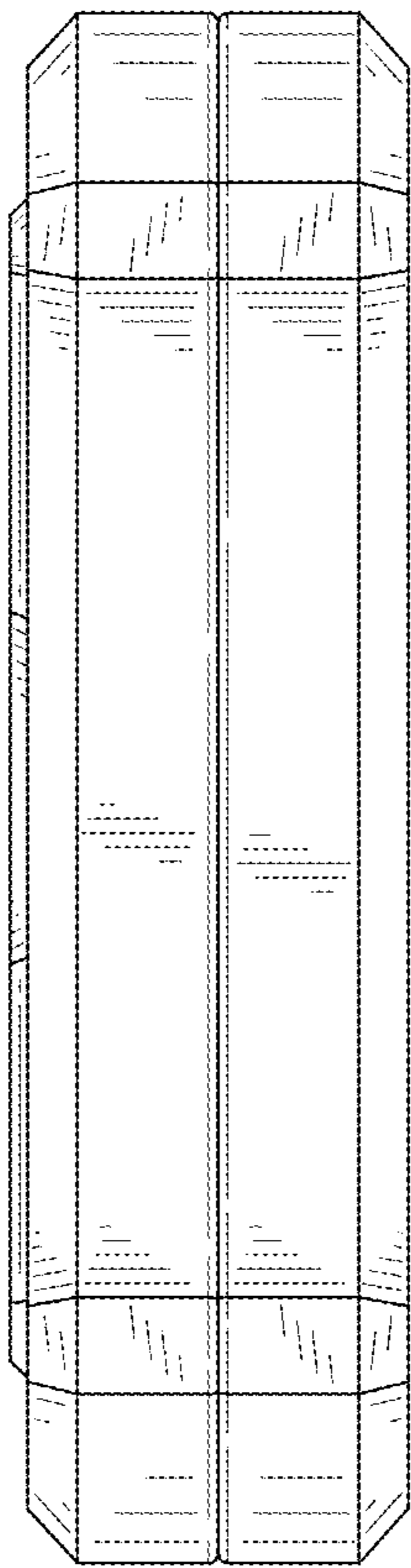


FIG. 6

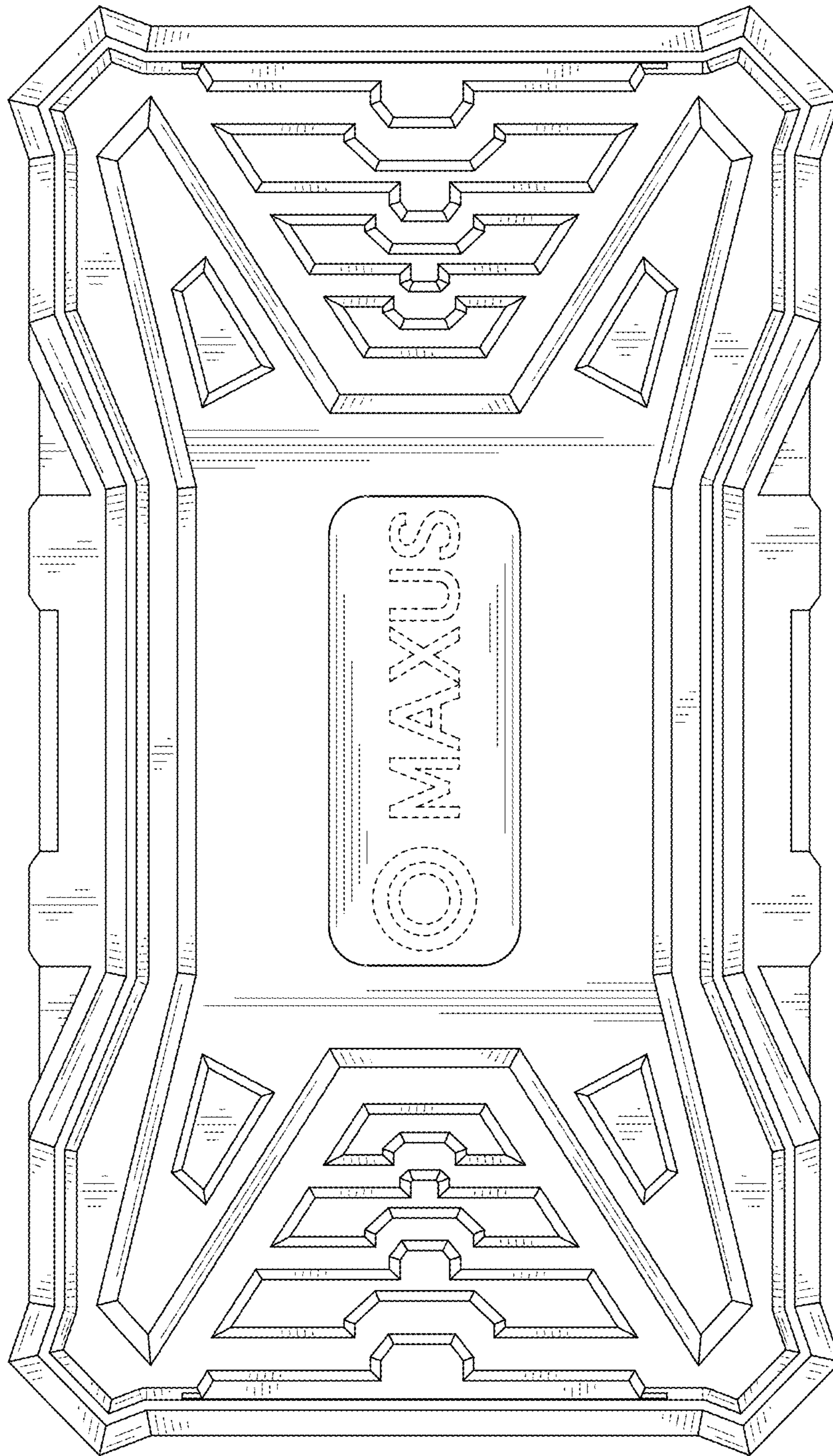


FIG. 7

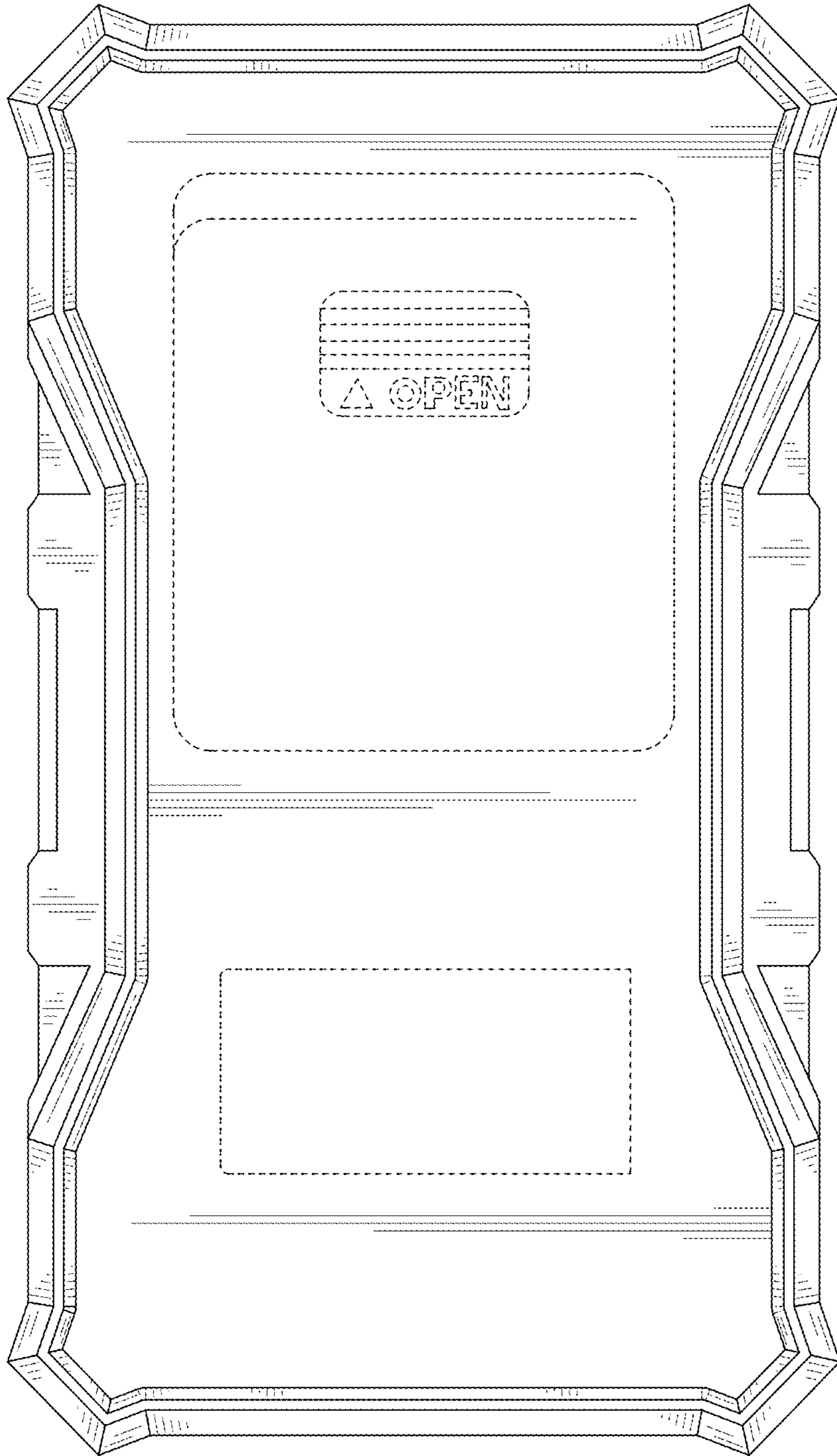


FIG. 8

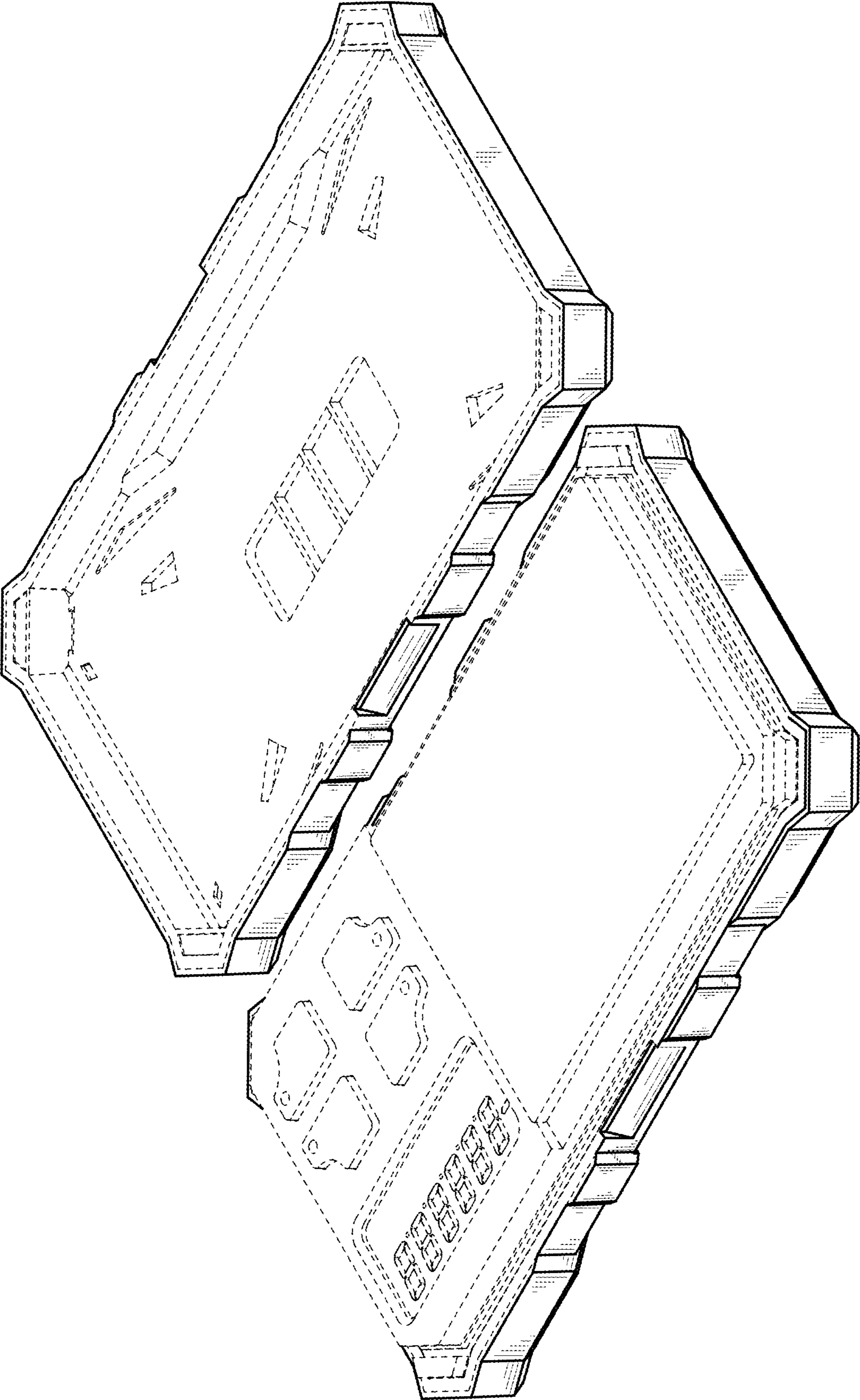


FIG. 9