



US00D925378S

(12) **United States Design Patent**  
**Adachi**

(10) **Patent No.:** **US D925,378 S**  
(45) **Date of Patent:** **\*\* Jul. 20, 2021**

(54) **INFORMATION TERMINAL FOR SHIP NAVIGATION**

D556,609 S \* 12/2007 Rhodes ..... D10/50  
D736,106 S \* 8/2015 Bowman ..... D10/70  
D782,347 S \* 3/2017 Emge ..... D10/70

(Continued)

(71) Applicant: **ICOM INCORPORATED**, Osaka (JP)

(72) Inventor: **Yuma Adachi**, Osaka (JP)

(73) Assignee: **ICOM INCORPORATED**, Osaka (JP)

(\*\*) Term: **15 Years**

(21) Appl. No.: **29/702,562**

(22) Filed: **Aug. 20, 2019**

(30) **Foreign Application Priority Data**

Feb. 28, 2019 (JP) ..... 2019-004127

(51) **LOC (13) Cl.** ..... **10-04**

(52) **U.S. Cl.**  
USPC ..... **D10/65**

(58) **Field of Classification Search**  
USPC ..... D10/65, 70, 74, 75, 78; D12/192;  
D14/137, 162, 167-169, 175, 179, 188,  
D14/194-198, 217, 257, 265, 299, 336,  
D14/496

CPC ..... G06F 17/00; G06F 17/10; G06F 17/16;  
G01C 21/00; G01C 21/12; G01C 21/14;  
G01C 21/16; G01C 21/203; G05D 1/00;  
G08G 3/00; B63B 51/00

See application file for complete search history.

(56) **References Cited**

**U.S. PATENT DOCUMENTS**

D375,957 S \* 11/1996 Nagai ..... D14/197  
D453,481 S \* 2/2002 Schoenfish ..... D10/125  
D487,705 S \* 3/2004 Schoenfish ..... D10/74  
6,865,453 B1 \* 3/2005 Burch ..... G01C 21/00  
244/1 R  
D528,021 S \* 9/2006 Hedderich ..... D10/49  
D539,676 S \* 4/2007 Hedderich ..... D10/49  
D542,677 S \* 5/2007 Barton ..... D10/50

**FOREIGN PATENT DOCUMENTS**

CN 302931482 \* 9/2014  
CN 303774573 \* 8/2016

(Continued)

**OTHER PUBLICATIONS**

MA-510TR Pre-Release Information Class B AIS  
TRANSPONDERNavigation [https://icomuk.co.uk/files/icom/PDF/newsFile/MA-510TR\\_pre.pdf](https://icomuk.co.uk/files/icom/PDF/newsFile/MA-510TR_pre.pdf) Nov. 21, 2019 (Year: 2019).\*

(Continued)

*Primary Examiner* — Leanne Was-Englehart

(74) *Attorney, Agent, or Firm* — Birch, Stewart, Kolasch & Birch, LLP

(57) **CLAIM**

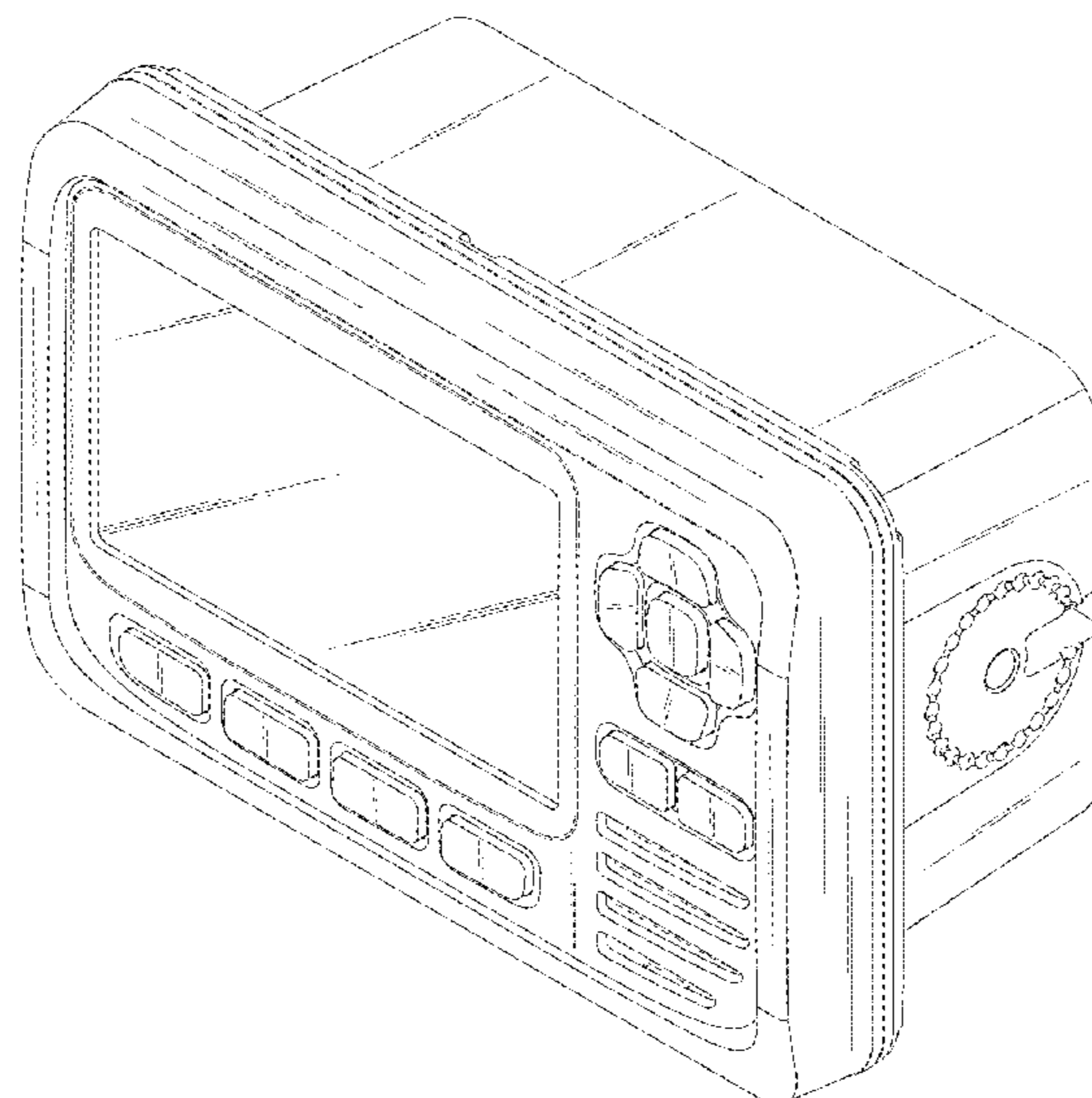
The ornamental design for an information terminal for ship navigation, as shown and described.

**DESCRIPTION**

FIG. 1 is a perspective view of an information terminal for ship navigation;  
FIG. 2 is a front view thereof;  
FIG. 3 is a rear view thereof;  
FIG. 4 is a left side view thereof;  
FIG. 5 is a right side view thereof;  
FIG. 6 is a top view thereof; and,  
FIG. 7 is a bottom view thereof.

The broken lines depict portions of the information terminal for ship navigation in which the design is embodied that are not considered part of the claimed design.

**1 Claim, 4 Drawing Sheets**



(56)

**References Cited**

U.S. PATENT DOCUMENTS

D808,921 S \* 1/2018 Nishizawa ..... D14/198  
D847,007 S \* 4/2019 Endo ..... D10/65  
D852,650 S \* 7/2019 Zakharov ..... D10/49  
D870,572 S \* 12/2019 Li ..... D10/49  
D870,573 S \* 12/2019 Li ..... D10/49  
D874,424 S \* 2/2020 Nakagawa ..... D14/188  
D886,095 S \* 6/2020 Nakagawa ..... D14/258  
D895,444 S \* 9/2020 DeBoer ..... D10/49  
D910,467 S \* 2/2021 Thoren ..... D10/50

FOREIGN PATENT DOCUMENTS

CN 305625969 \* 2/2020  
JP 1380938 S 2/2010

OTHER PUBLICATIONS

Icom Marine Products [https://www.icomjapan.com/uploads/support/brochures/download/Marine\\_USA.pdf](https://www.icomjapan.com/uploads/support/brochures/download/Marine_USA.pdf) Jan. 30, 2020 Accessed from [https://www.icomjapan.com/lineup/products/MA-510TR/?open=4#detail\\_content](https://www.icomjapan.com/lineup/products/MA-510TR/?open=4#detail_content) Marine Products Brochure Download. (Year: 2020).\*

\* cited by examiner

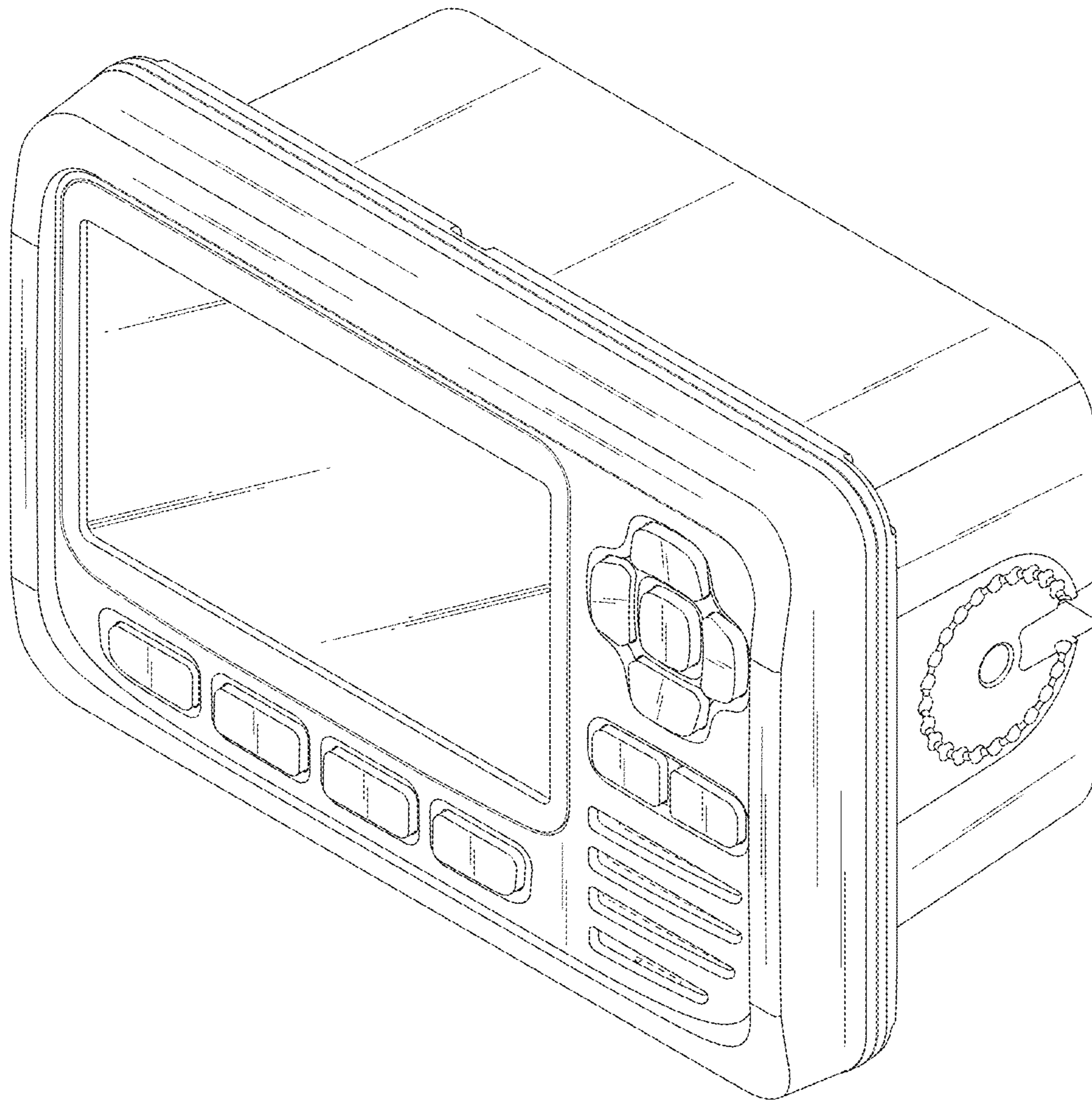


FIG. 1

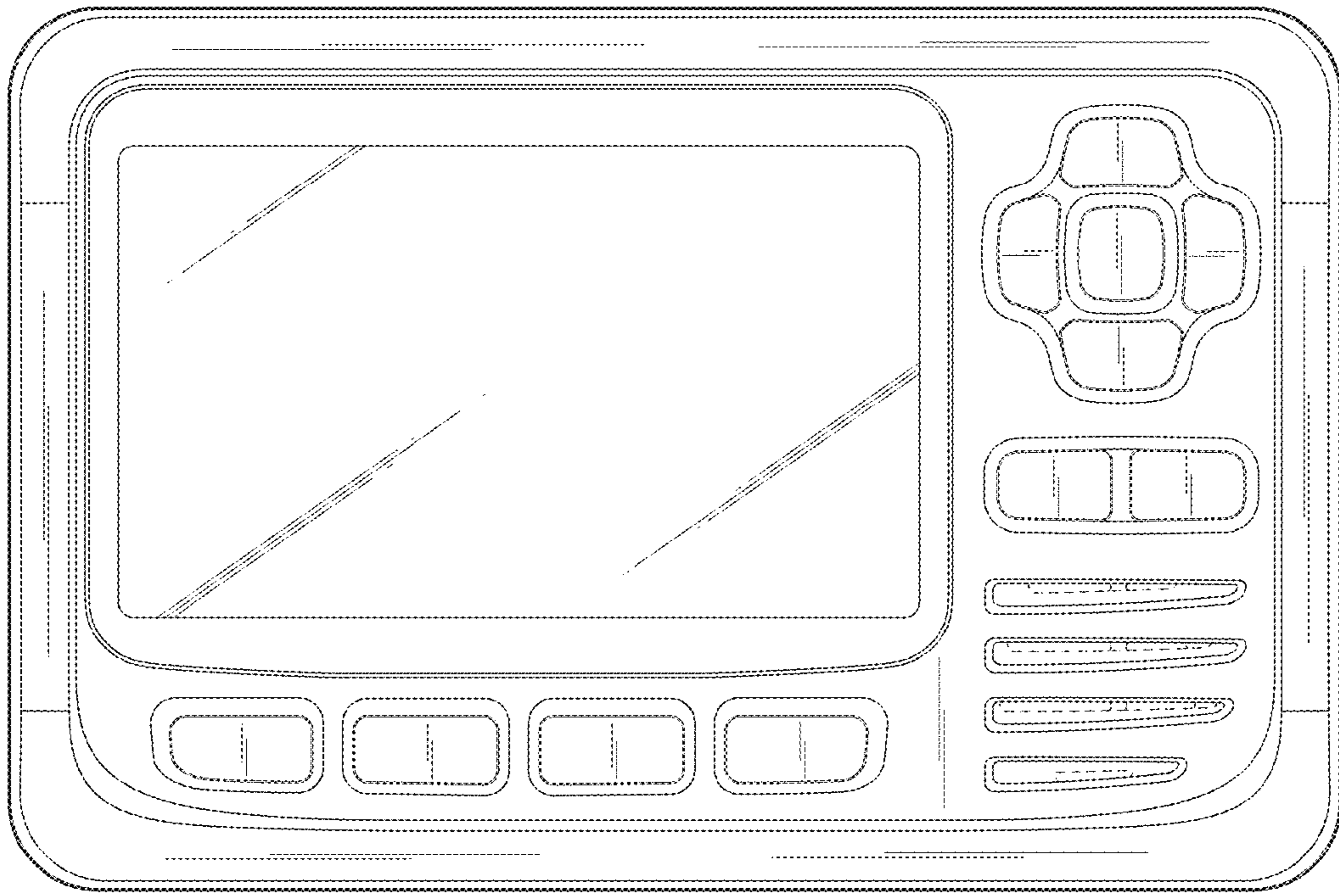


FIG. 2

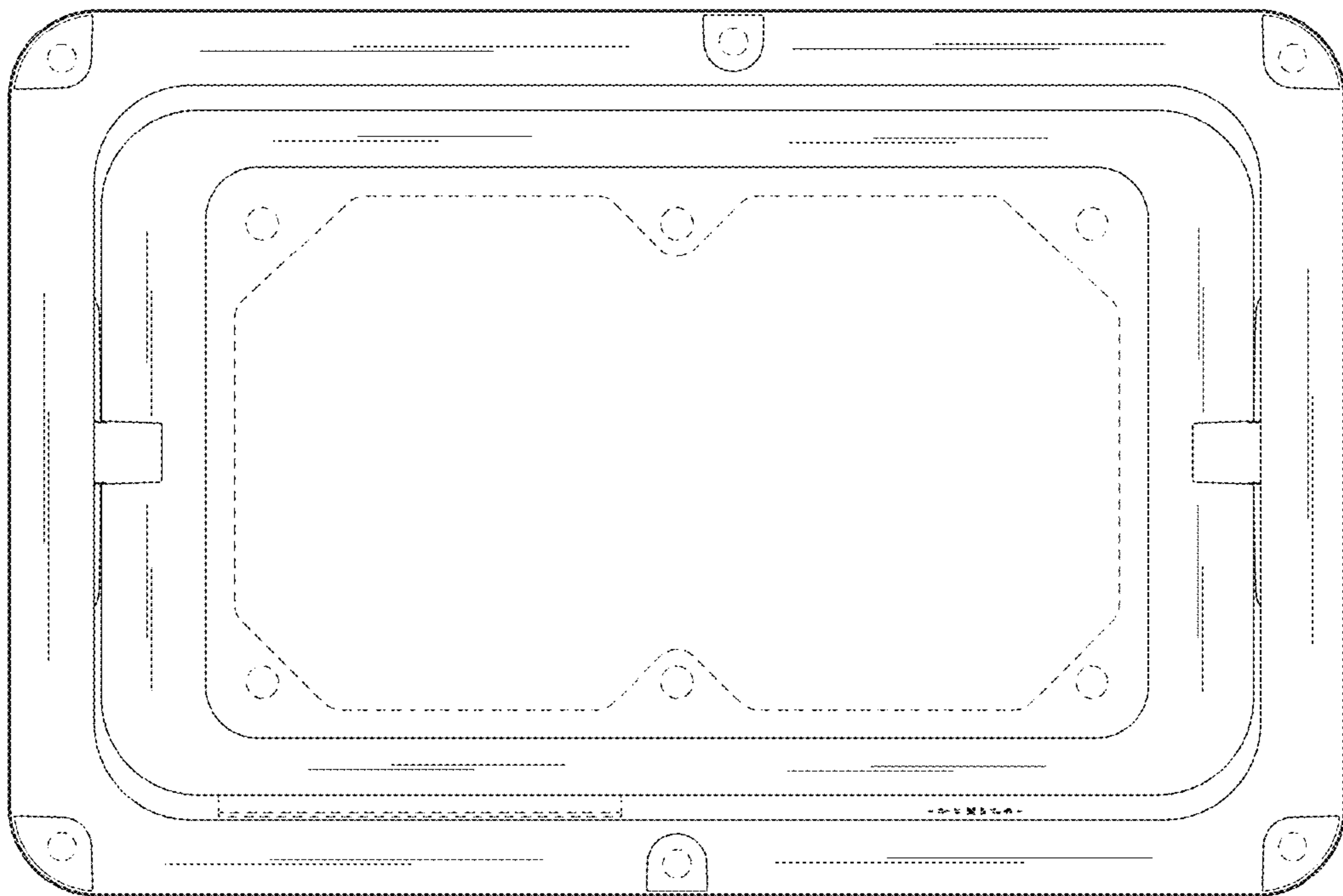


FIG. 3

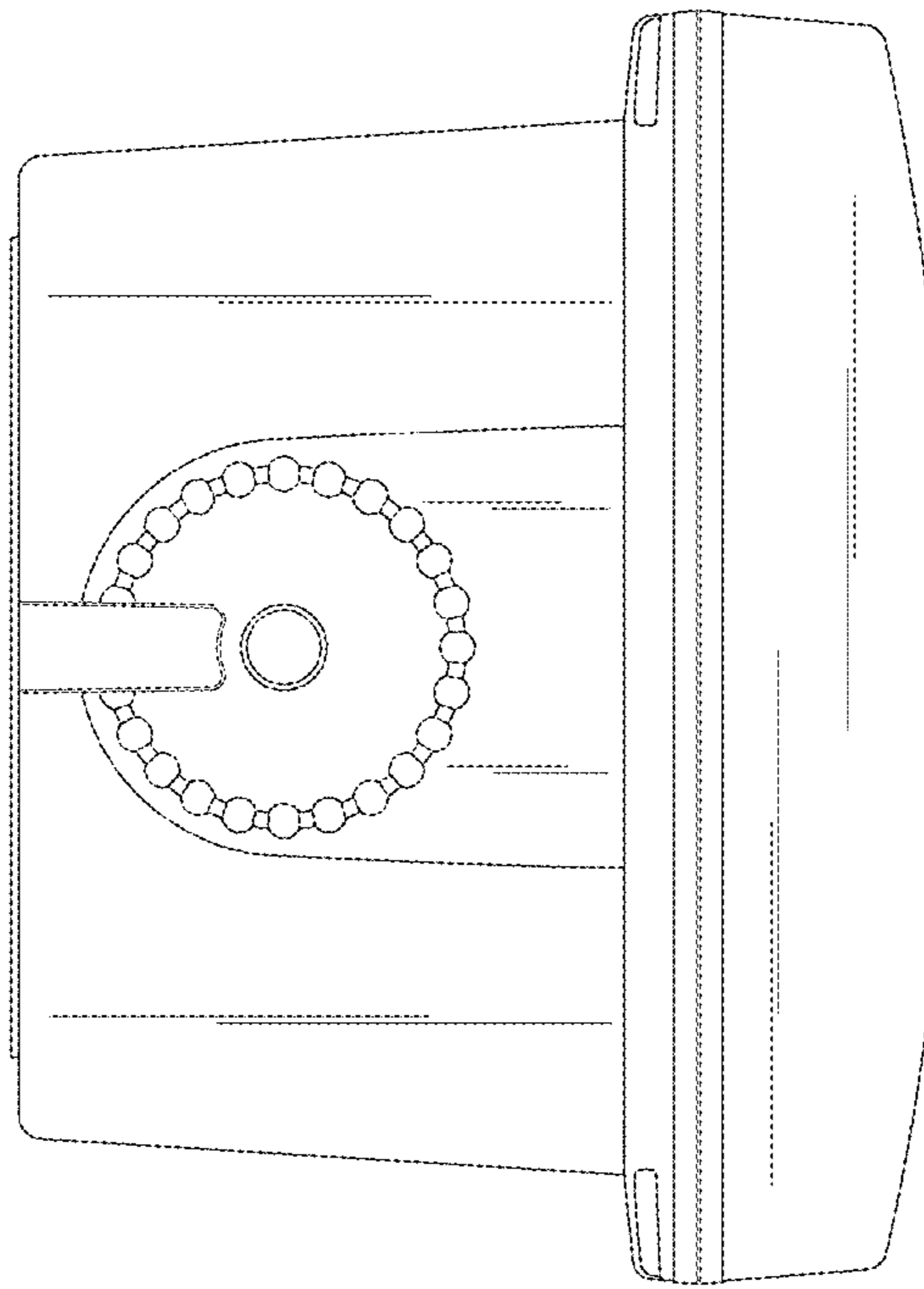


FIG.4

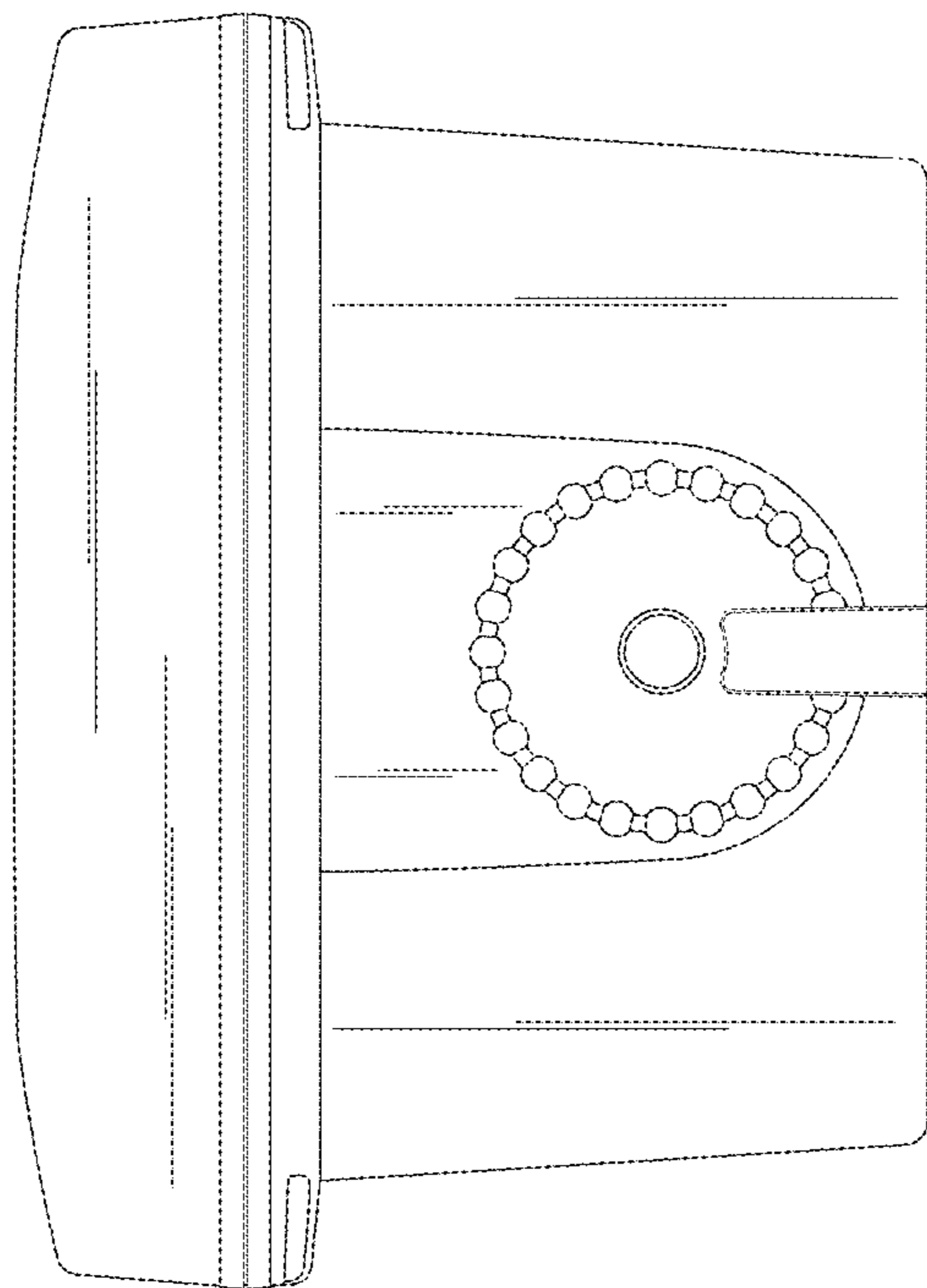


FIG.5

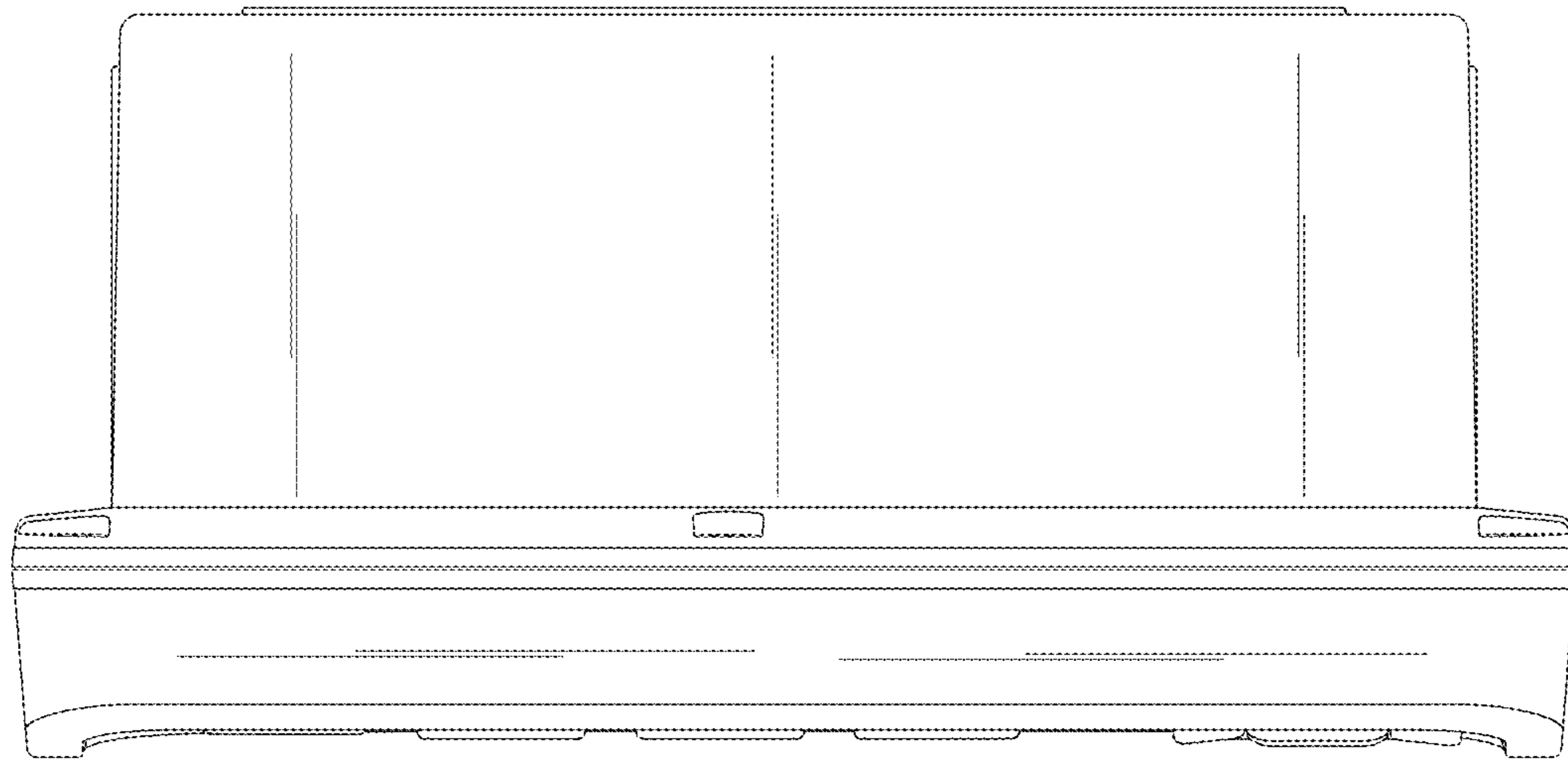


FIG. 6

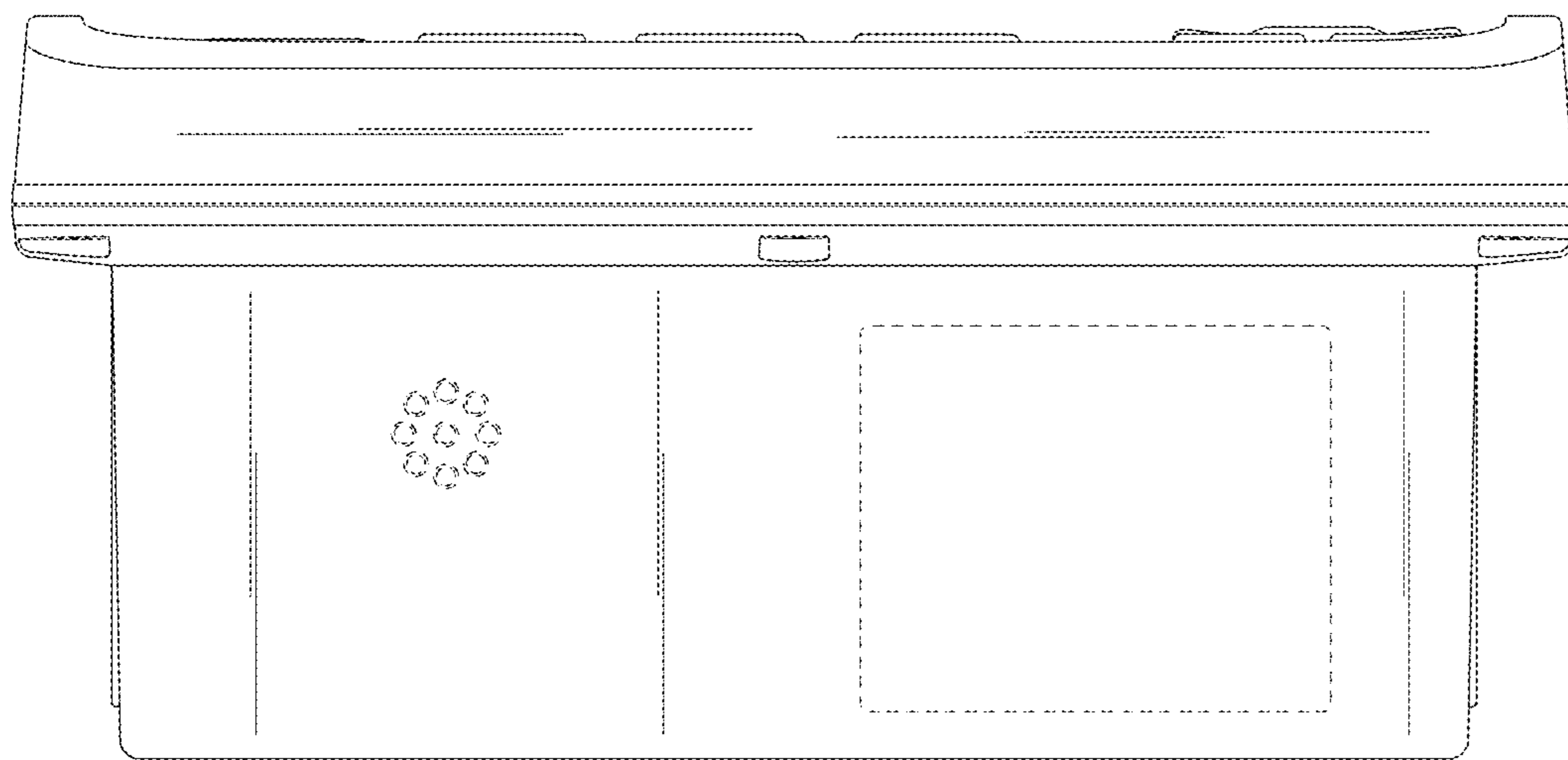


FIG. 7