



US00D925376S

(12) **United States Design Patent**
Gonzalez et al.

(10) **Patent No.:** **US D925,376 S**
(45) **Date of Patent:** **** Jul. 20, 2021**

- (54) **CARTON**
- (71) Applicant: **The Procter & Gamble Company**,
Cincinnati, OH (US)
- (72) Inventors: **Paula Marie Gonzalez**, Cincinnati, OH
(US); **Gemma Miragall Caselles**,
Rotterdam (NL)
- (73) Assignee: **The Procter & Gamble Company**,
Cincinnati, OH (US)
- (**) Term: **15 Years**
- (21) Appl. No.: **29/772,519**
- (22) Filed: **Mar. 2, 2021**

- 3,606,082 A * 9/1971 Kuchenbecker A47K 10/421
221/52
- 3,881,632 A * 5/1975 Early B65D 83/0811
221/50
- 4,582,215 A * 4/1986 Barrash B65D 23/108
206/150
- D415,424 S * 10/1999 Hill D6/515
- 6,439,386 B1 * 8/2002 Sauer B65D 5/4208
206/494
- 7,040,502 B2 * 5/2006 Phelps A47K 10/421
221/34
- 7,140,513 B2 * 11/2006 Welchel A47K 10/421
221/45
- 7,207,461 B2 * 4/2007 Mitchell A47K 10/42
221/283
- D615,861 S * 5/2010 Watts D9/447
- D658,058 S * 4/2012 Sanges D9/447

(Continued)

Primary Examiner — Lauren R Calve
(74) *Attorney, Agent, or Firm* — Gary J. Foose

Related U.S. Application Data

- (62) Division of application No. 29/717,059, filed on Dec. 13, 2019, now Pat. No. Des. 915,903.
- (51) **LOC (13) Cl.** **09-01**
- (52) **U.S. Cl.**
USPC **D9/734; D9/447**
- (58) **Field of Classification Search**
USPC D9/414, 416, 432, 433, 434, 447, 730,
D9/734; D6/515, 518, 519, 521, 522,
D6/523; D7/601, 602, 631; D34/11
CPC B65D 85/00; B65D 81/00; B65D 81/22;
B65D 83/0805; A47K 2010/3266; A47K
10/42; A47K 10/426; G07F 11/00
See application file for complete search history.

(57) **CLAIM**

The ornamental design for a carton, as shown and described.

DESCRIPTION

FIG. 1 is a perspective view of a carton;
 FIG. 2 is a top view of the carton of FIG. 1;
 FIG. 3 is a front view of the carton of FIG. 1;
 FIG. 4 is a bottom view of the carton of FIG. 1, opposite the top view of FIG. 2;
 FIG. 5 is a rear view of the carton of FIG. 1, opposite the front view of FIG. 3;
 FIG. 6 is a side view of the carton of FIG. 1; and,
 FIG. 7 is a side view of the carton of FIG. 1, opposite the side view of FIG. 6.

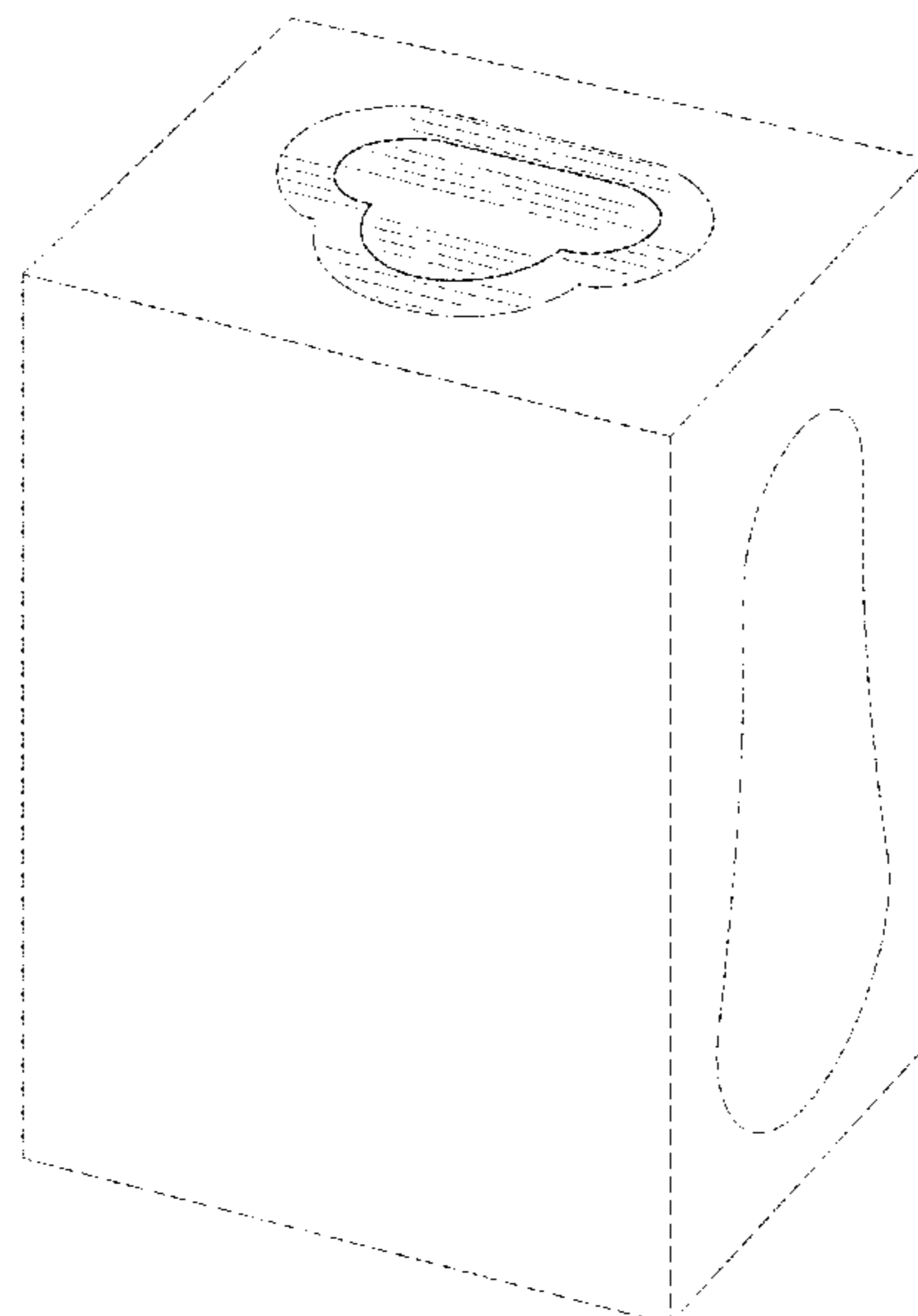
The dashed broken lines represent unclaimed structure or features that form no part of the claimed design.
 The dot-dash broken lines represent boundaries of the claimed design; the dot-dash broken lines themselves form no part of the claimed design.

(56) **References Cited**

U.S. PATENT DOCUMENTS

- 809,330 A * 1/1906 Sim B65D 83/0805
221/63
- 3,403,815 A * 10/1968 Robson B65D 83/0805
221/34

1 Claim, 4 Drawing Sheets



(56)

References Cited

U.S. PATENT DOCUMENTS

8,727,148 B2 * 5/2014 Soehnen B65D 47/0838
215/200
D847,660 S * 5/2019 Schumaker D9/734
D915,903 S * 4/2021 Gonzalez D9/734
2005/0077309 A1 * 4/2005 Mitchell B65D 5/4208
221/45
2007/0152028 A1 * 7/2007 McGowan B65D 5/725
229/122.1
2008/0223867 A1 * 9/2008 Carr A47K 10/421
221/34
2013/0228589 A1 * 9/2013 Nickerson A47K 10/46
221/102

* cited by examiner

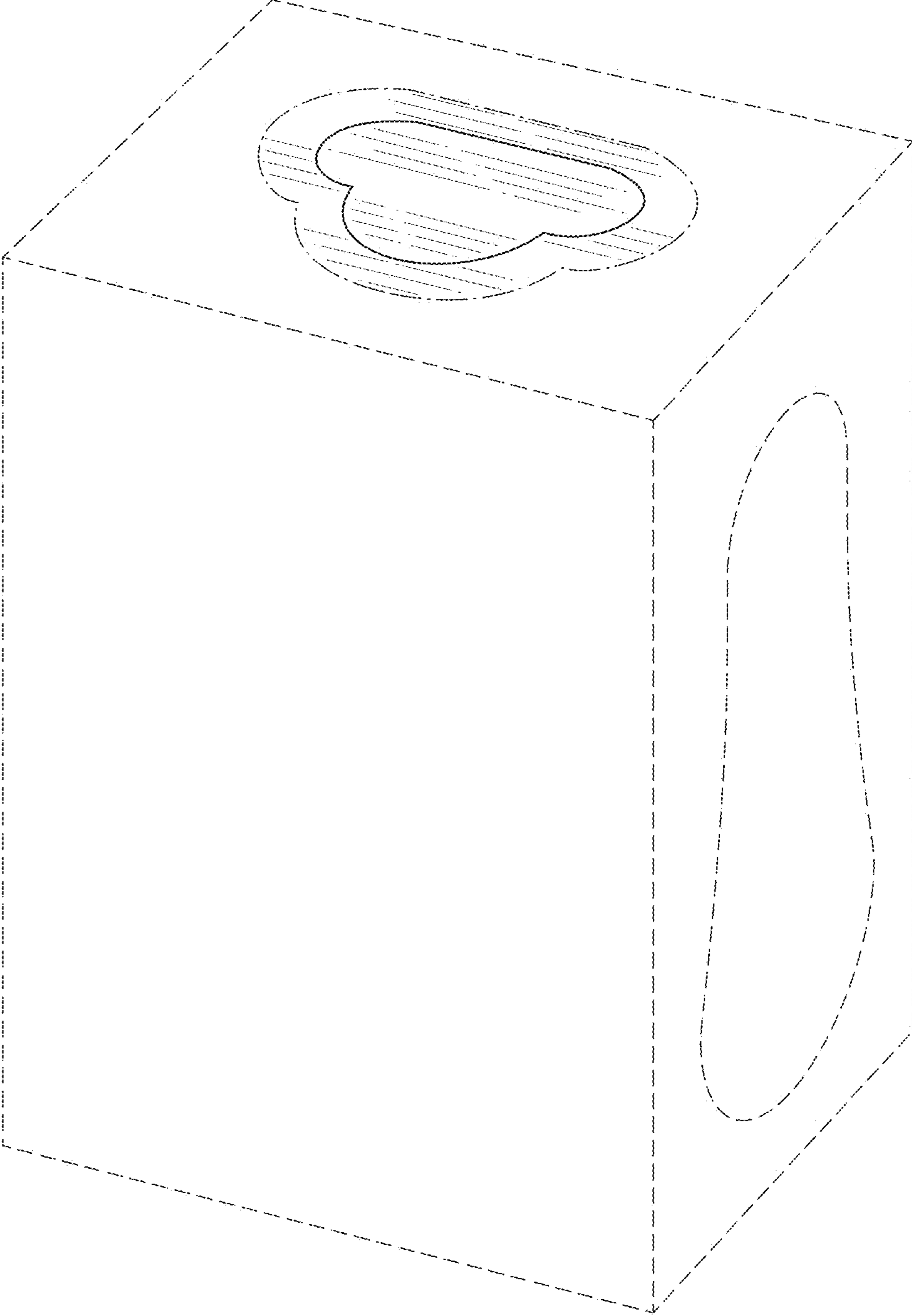


FIG. 1

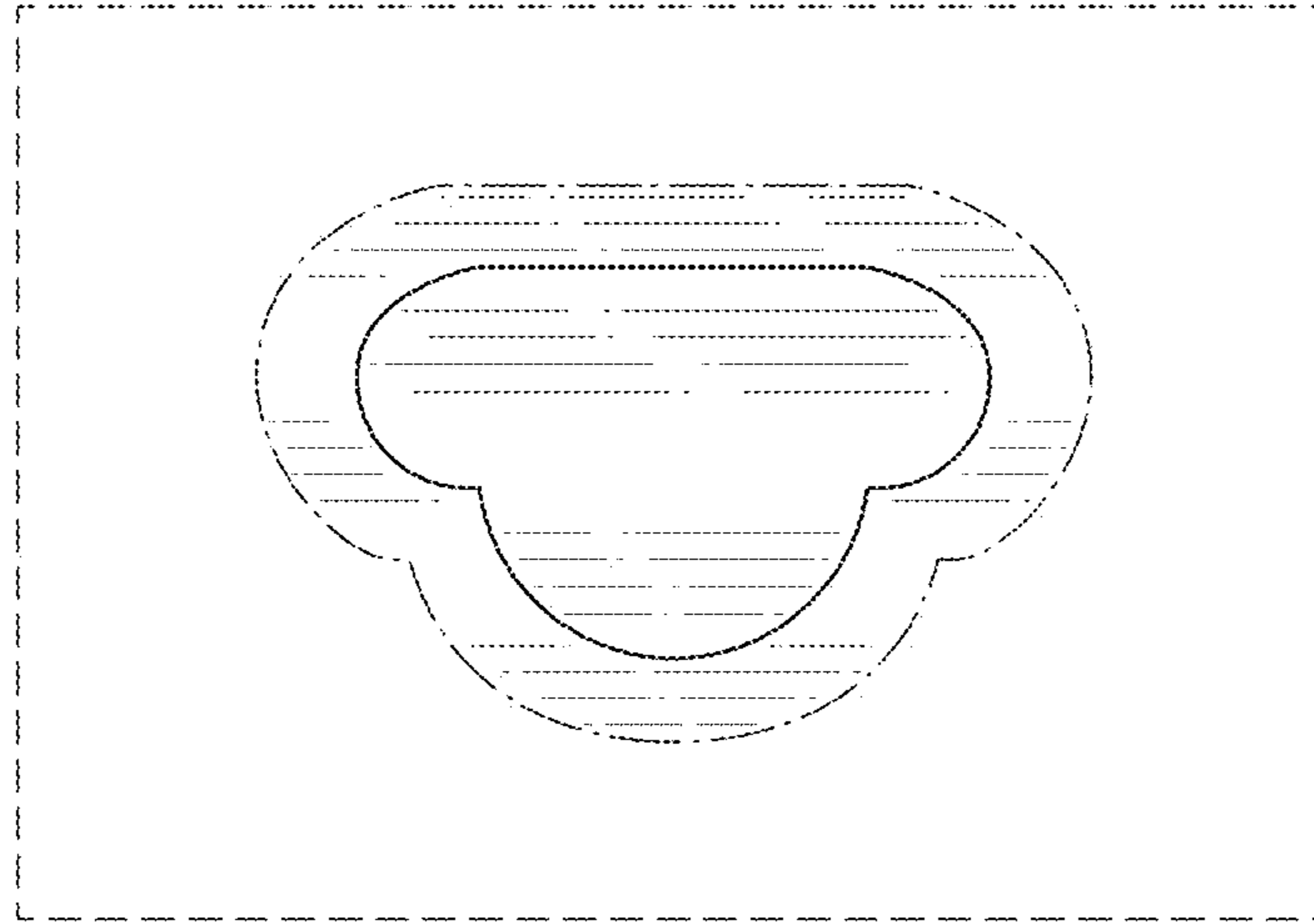


FIG. 2

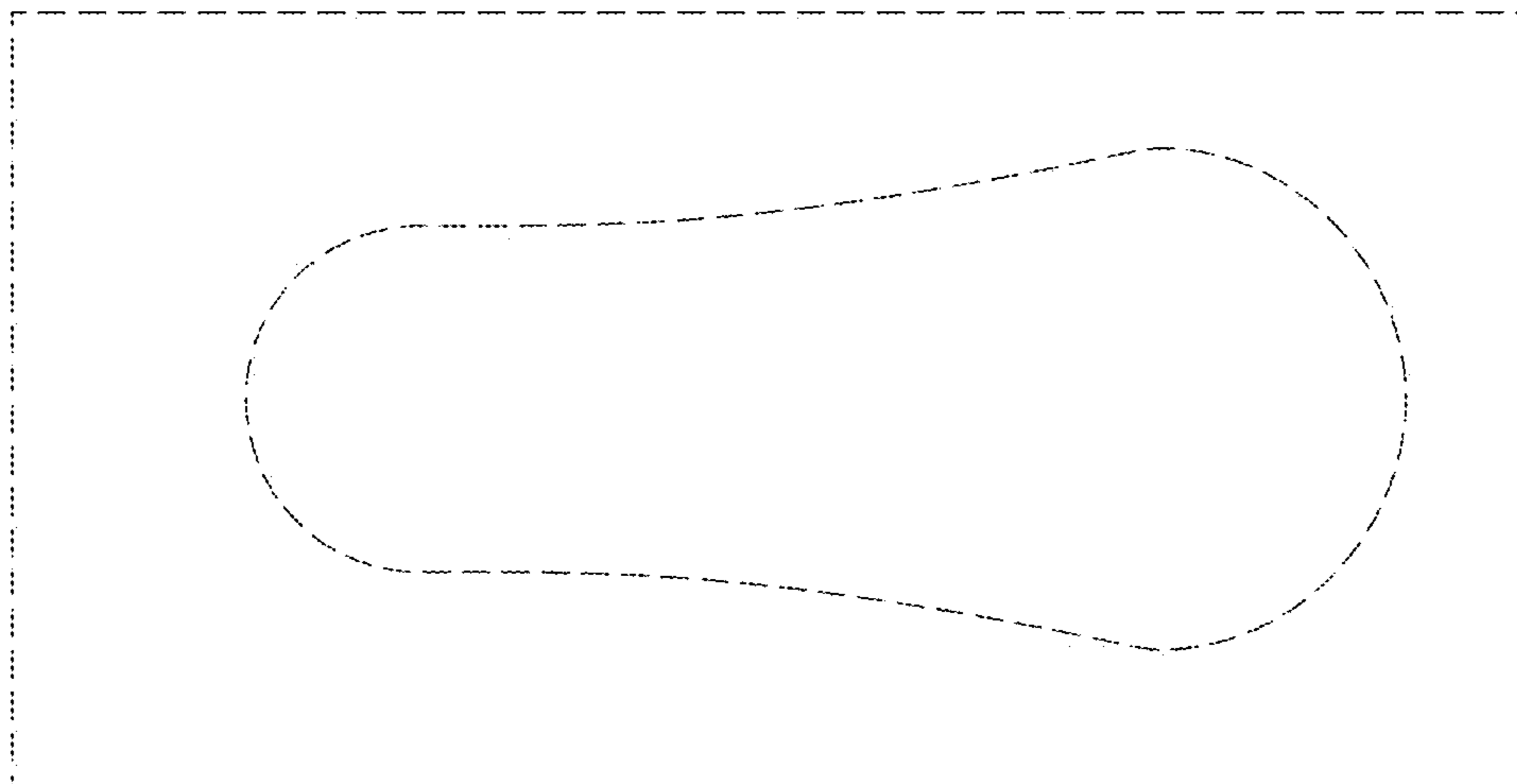


FIG. 3



FIG. 4



FIG. 5



FIG. 7



FIG. 6