



US00D925371S

(12) **United States Design Patent**  
**Maclam et al.**

(10) **Patent No.:** **US D925,371 S**

(45) **Date of Patent:** **\*\* \*Jul. 20, 2021**

(54) **BOTTLE**

(71) Applicant: **The Procter & Gamble Company**,  
Cincinnati, OH (US)

(72) Inventors: **Dennis Lee Maclam**, Mason, OH (US);  
**Leigh Mahoney**, Hamilton, OH (US);  
**Richard Michael Girardot**, West  
Chester, OH (US); **Luis Peraza**, New  
Albany, OH (US)

(73) Assignee: **The Procter & Gamble Company**,  
Cincinnati, OH (US)

(\*) Notice: This patent is subject to a terminal dis-  
claimer.

(\*\*) Term: **15 Years**

(21) Appl. No.: **29/676,155**

(22) Filed: **Jan. 9, 2019**

(51) **LOC (13) Cl.** ..... **09-01**

(52) **U.S. Cl.**  
USPC ..... **D9/574; D9/558; D9/716**

(58) **Field of Classification Search**  
USPC ..... D9/522, 523, 542, 563, 574, 432, 516,  
D9/573, 530, 549, 550, 551, 558, 560,  
D9/435, 503, 504, 509, 529, 570,  
D9/682-685, 686-694, 716  
CPC . B65D 1/0223; B65D 2501/0081; B65D 1/02  
See application file for complete search history.

(56) **References Cited**

**U.S. PATENT DOCUMENTS**

D104,881 S \* 6/1937 Rosengart ..... D9/716  
3,519,157 A 7/1970 Meierhoefer  
D254,839 S 4/1980 Pardo  
D256,993 S 9/1980 Strand  
D258,045 S 1/1981 Collins  
D260,367 S \* 8/1981 Grip ..... D9/571

D260,610 S \* 9/1981 Grip ..... D9/571  
D274,981 S 8/1984 Hoyt  
D292,773 S \* 11/1987 Carlson ..... D9/691  
D345,921 S \* 4/1994 Frank ..... D9/574  
D372,873 S \* 8/1996 Lathrop ..... D9/558  
D374,613 S \* 10/1996 Maxwell ..... D9/694  
D381,916 S \* 8/1997 Hundertmark ..... D9/558  
D392,897 S \* 3/1998 Biesecker ..... D9/571  
D411,100 S \* 6/1999 Torres ..... D9/692  
D411,199 S 6/1999 Park  
D442,868 S \* 5/2001 Gavin ..... D9/570  
D490,322 S \* 5/2004 Giovanni ..... D9/558

(Continued)

**OTHER PUBLICATIONS**

Business wire, available Oct. 16, 2019, [online], [site visited Jun. 19, 2020], Available from internet, URL: <https://www.businesswire.com/news/home/20191016005701/en/Cold-Flu-Season-Vicks%C2%AE-Introduces-New-Options> (Year: 2019).\*

(Continued)

*Primary Examiner* — Brett Miller

*Assistant Examiner* — Rani J Abdallah

(74) *Attorney, Agent, or Firm* — Jason J. Camp

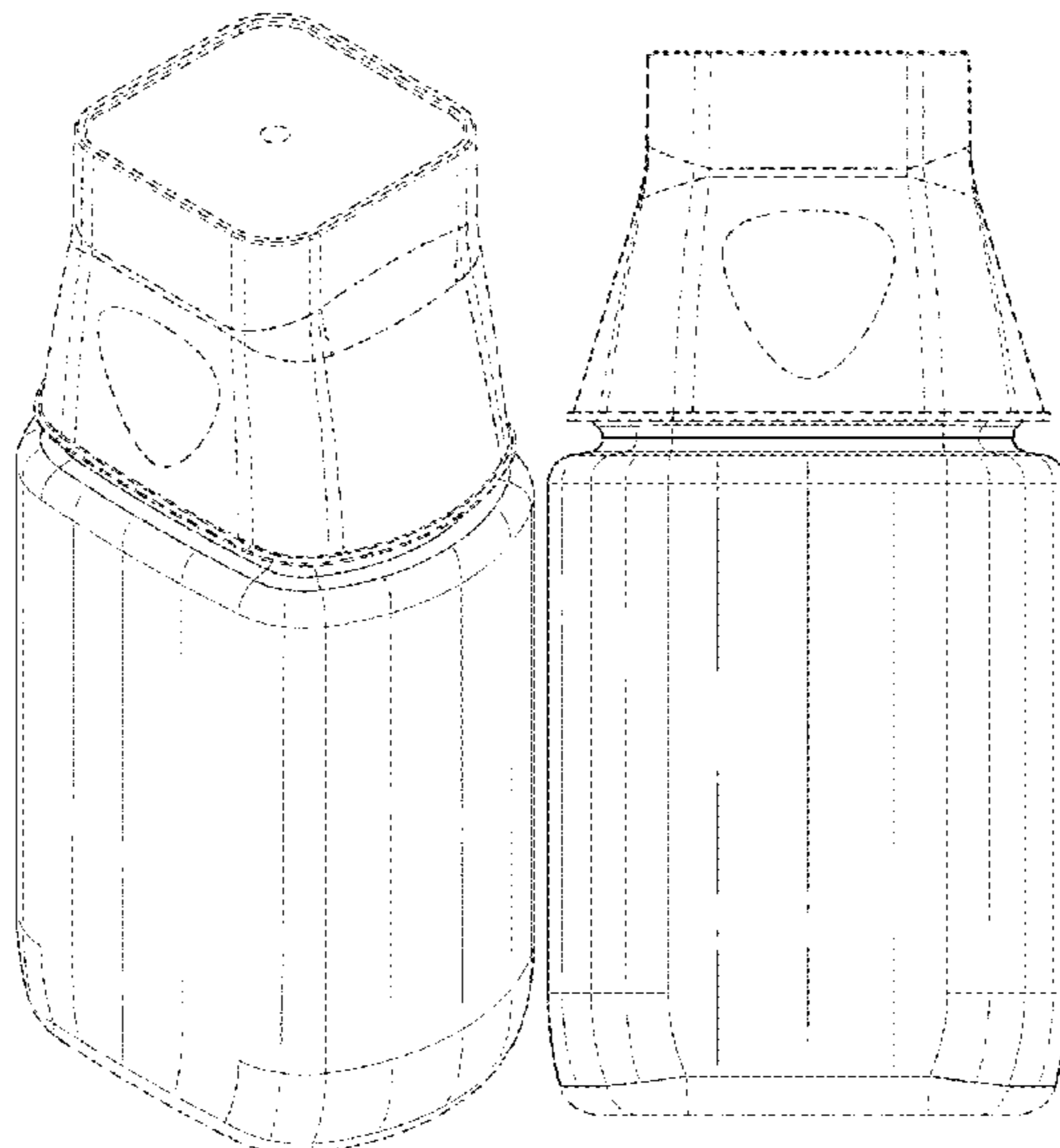
(57) **CLAIM**

The ornamental design for a bottle, as shown and described.

**DESCRIPTION**

FIG. 1 is a perspective view of a bottle embodying our new design;  
FIG. 2 is a front view thereof;  
FIG. 3 is a left side view thereof;  
FIG. 4 is a back view thereof;  
FIG. 5 is a right side view thereof;  
FIG. 6 is a top view thereof; and,  
FIG. 7 is a bottom view thereof.  
The broken lines are shown for the purpose of illustrating parts of the bottle that form no part of the claimed design.

**1 Claim, 3 Drawing Sheets**



(56)

References Cited

U.S. PATENT DOCUMENTS

D490,323 S \* 5/2004 Giovanni ..... D9/558  
 D554,518 S \* 11/2007 Cornet ..... D9/558  
 D562,151 S \* 2/2008 Larocca ..... D9/529  
 D584,961 S \* 1/2009 Yakoby ..... D9/690  
 D607,728 S \* 1/2010 Berger ..... D9/516  
 D607,729 S \* 1/2010 Berger ..... D9/516  
 D611,346 S \* 3/2010 Camomile ..... D9/504  
 D618,114 S \* 6/2010 Lee ..... D9/686  
 D622,101 S 8/2010 Tune  
 D632,581 S \* 2/2011 Kuzma ..... D9/558  
 D634,641 S \* 3/2011 Berger ..... D9/558  
 D667,300 S 9/2012 Davis  
 D712,746 S \* 9/2014 Widdison ..... D9/529  
 D758,877 S \* 6/2016 Vaughn-Batiz ..... D9/682  
 D778,164 S \* 2/2017 Vaughn-Batiz ..... D9/574  
 D807,195 S \* 1/2018 Richmond ..... D9/682  
 D811,894 S \* 3/2018 Frias ..... D9/682  
 D820,104 S \* 6/2018 Miller ..... D9/560  
 D833,879 S \* 11/2018 Staab ..... D9/529  
 D836,459 S \* 12/2018 Thuesen ..... D9/716  
 D837,060 S \* 1/2019 Riedel ..... D9/529  
 D839,742 S 2/2019 Phillips

D853,035 S \* 7/2019 Moretti ..... D28/76  
 D899,261 S 10/2020 Maclam  
 2010/0006606 A1\* 1/2010 Lee ..... B05B 11/0094  
 222/383.1

OTHER PUBLICATIONS

Consumer Affairs, available Jan. 31, 2018, [online], [site visited Aug. 7, 2020], Available from internet, URL: <https://www.consumeraffairs.com/news/fda-wants-to-change-how-imodium-is-packaged-013118.html> (Year: 2018).\*

Congestion and Cough Liquid, Mucinex Fast-Max Severe, available Jul. 12, 2018, [online], [site visited Aug. 13, 2020], Available from internet, URL: [https://www.amazon.com/Mucinex-Fast-Max-Severe-Congestion-Liquid/dp/B0057UUGWA/ref=psdc\\_3761171\\_t1\\_B0057UUGSO?th=1#customerReviews](https://www.amazon.com/Mucinex-Fast-Max-Severe-Congestion-Liquid/dp/B0057UUGWA/ref=psdc_3761171_t1_B0057UUGSO?th=1#customerReviews) (Year: 2018).\*

Berry Flavored Daytime Severe Cold & Cough Pain Reliever retrieved from [https://www.gnps.com/sinatra/recordpage/3541125/from\\_search/n119j0JnUy/?page=1](https://www.gnps.com/sinatra/recordpage/3541125/from_search/n119j0JnUy/?page=1). ID 3541125 Date published Feb. 2016.

All Office Actions, U.S. Appl. No. 29/676,156.  
 All Office Actions, U.S. Appl. No. 29/676,158.  
 All Office Actions, U.S. Appl. No. 29/749,939.

\* cited by examiner

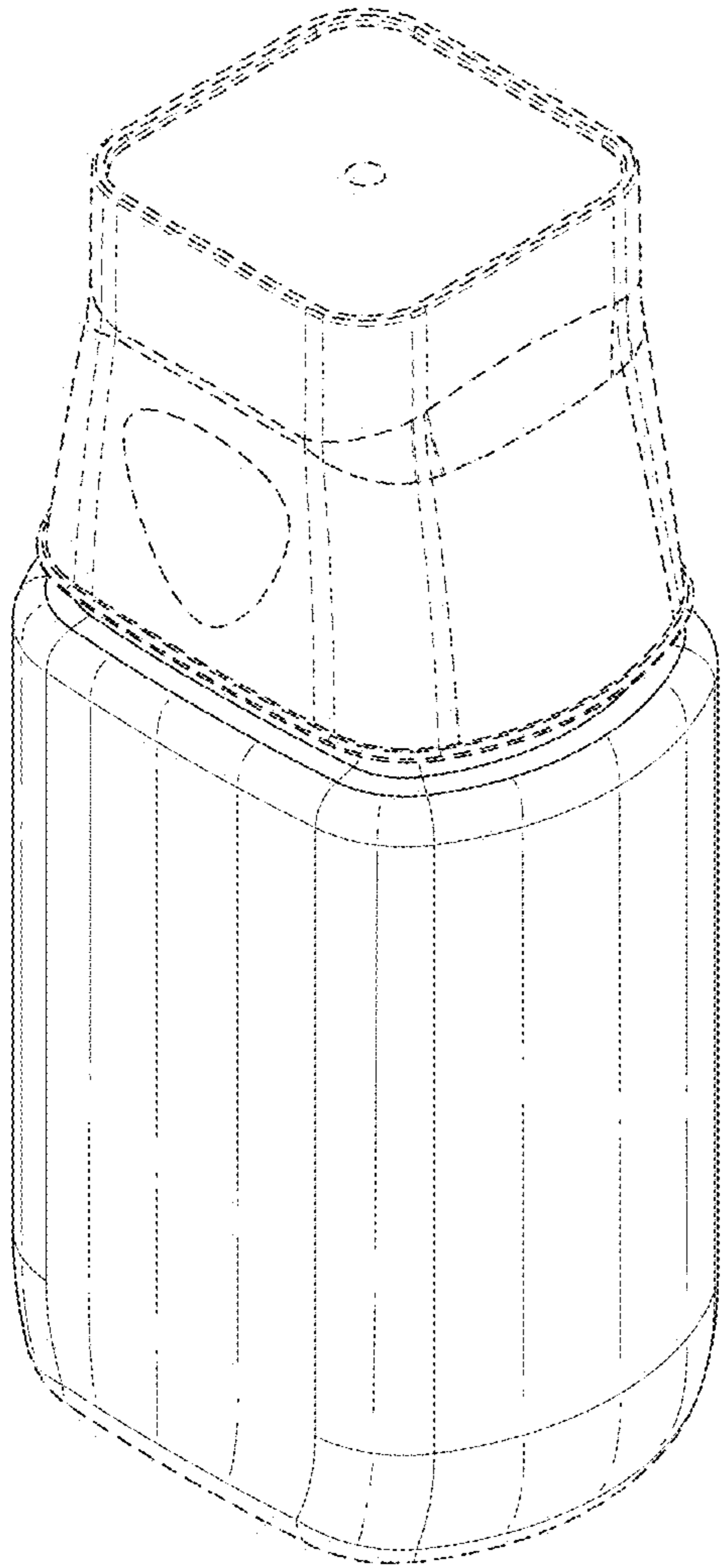


FIG. 1

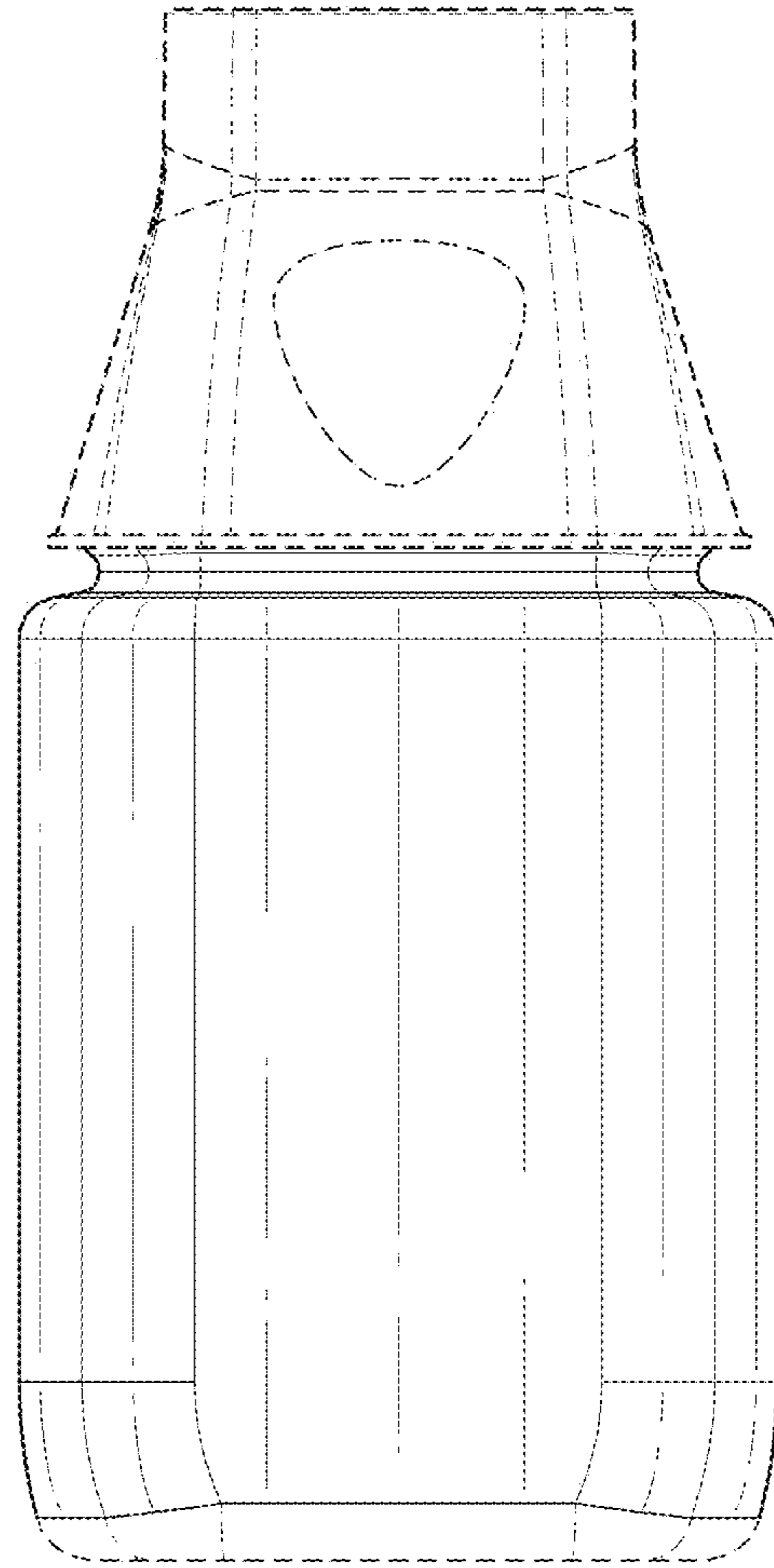


FIG. 2

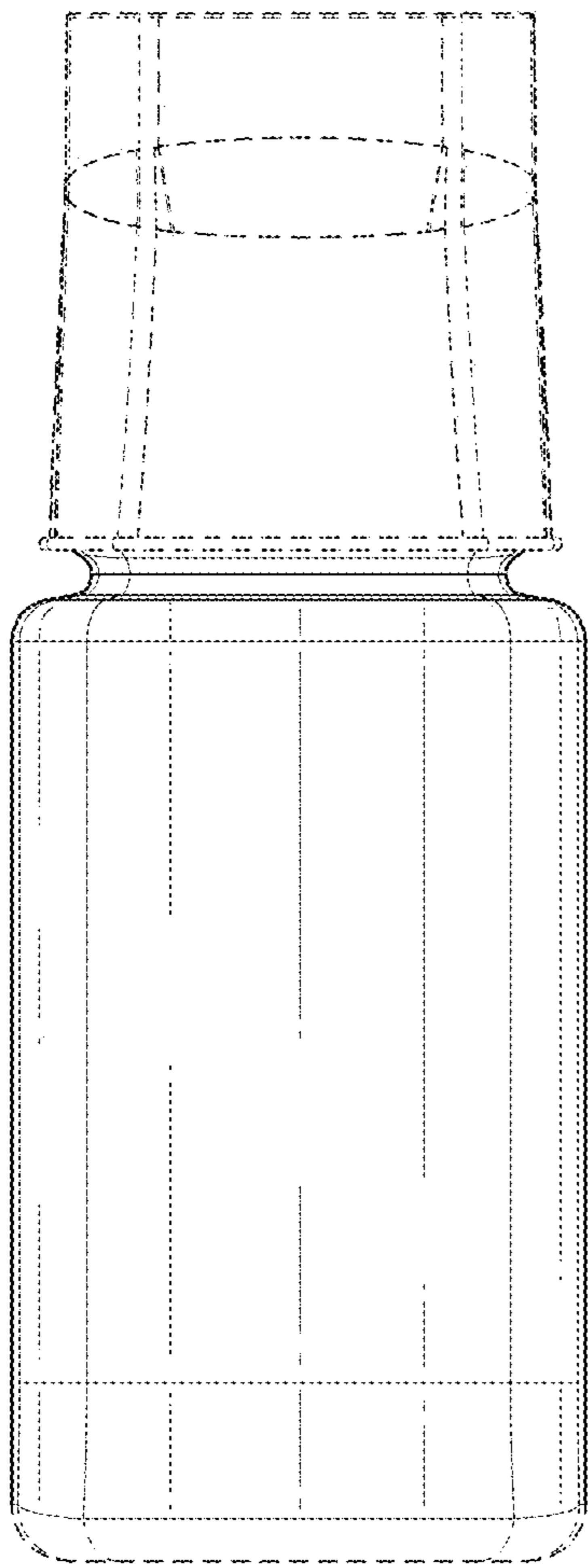


FIG. 3

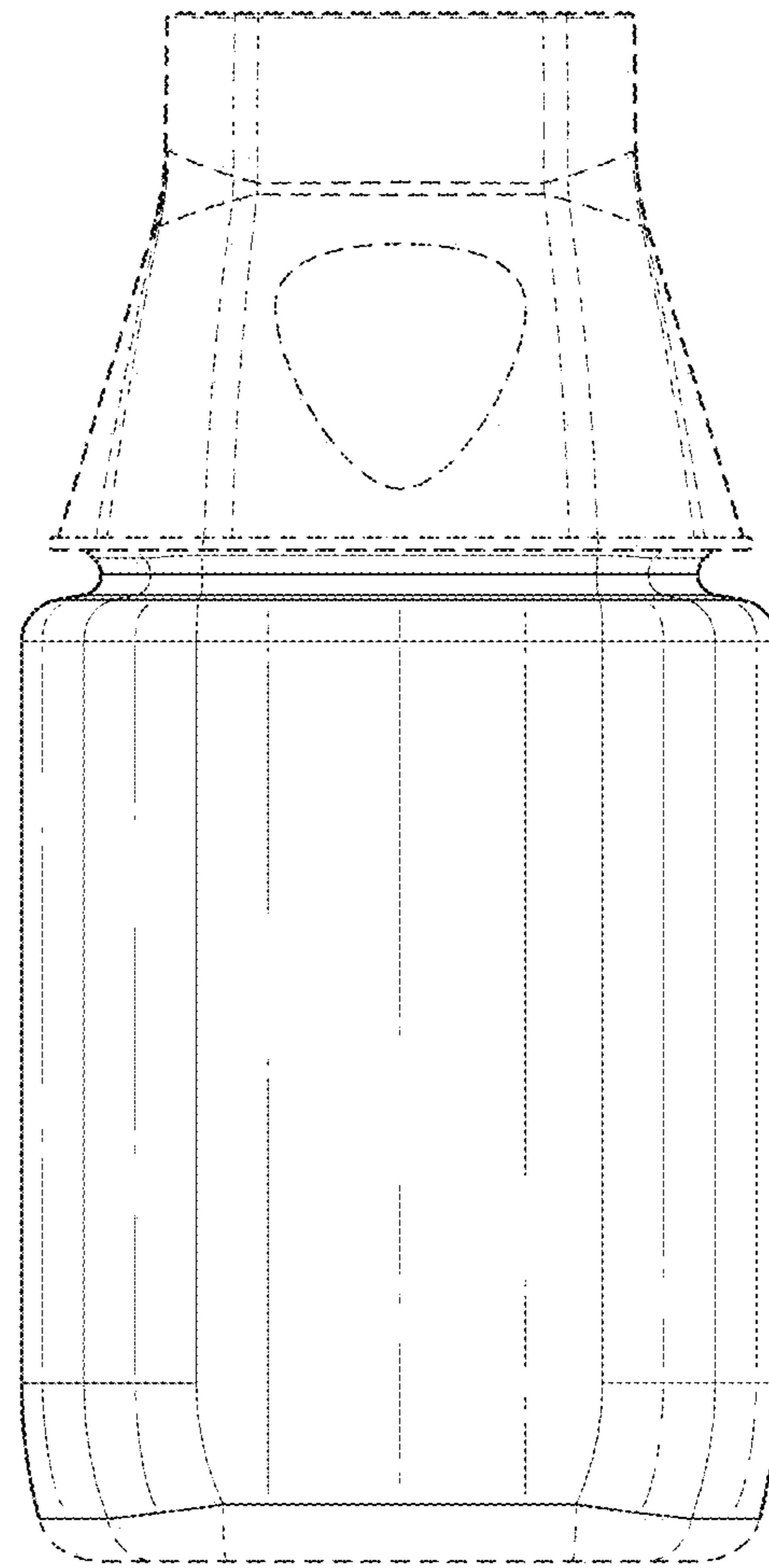


FIG. 4



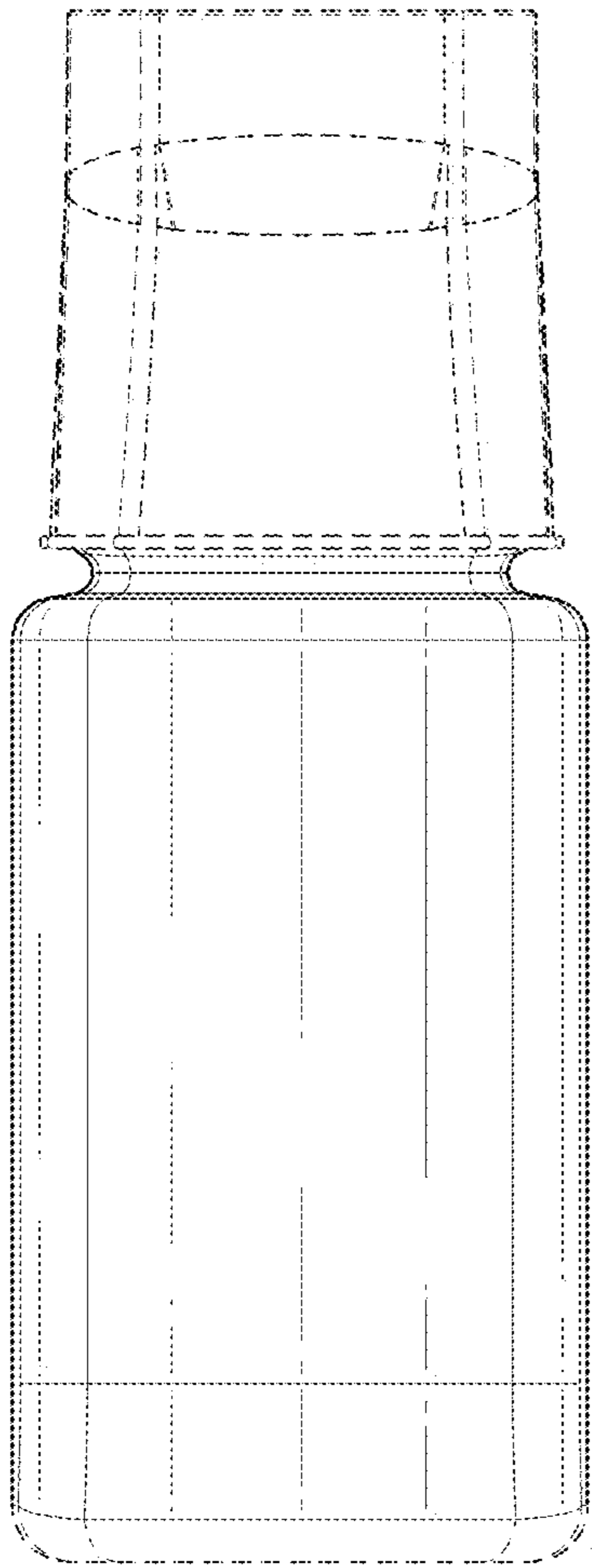


FIG. 5

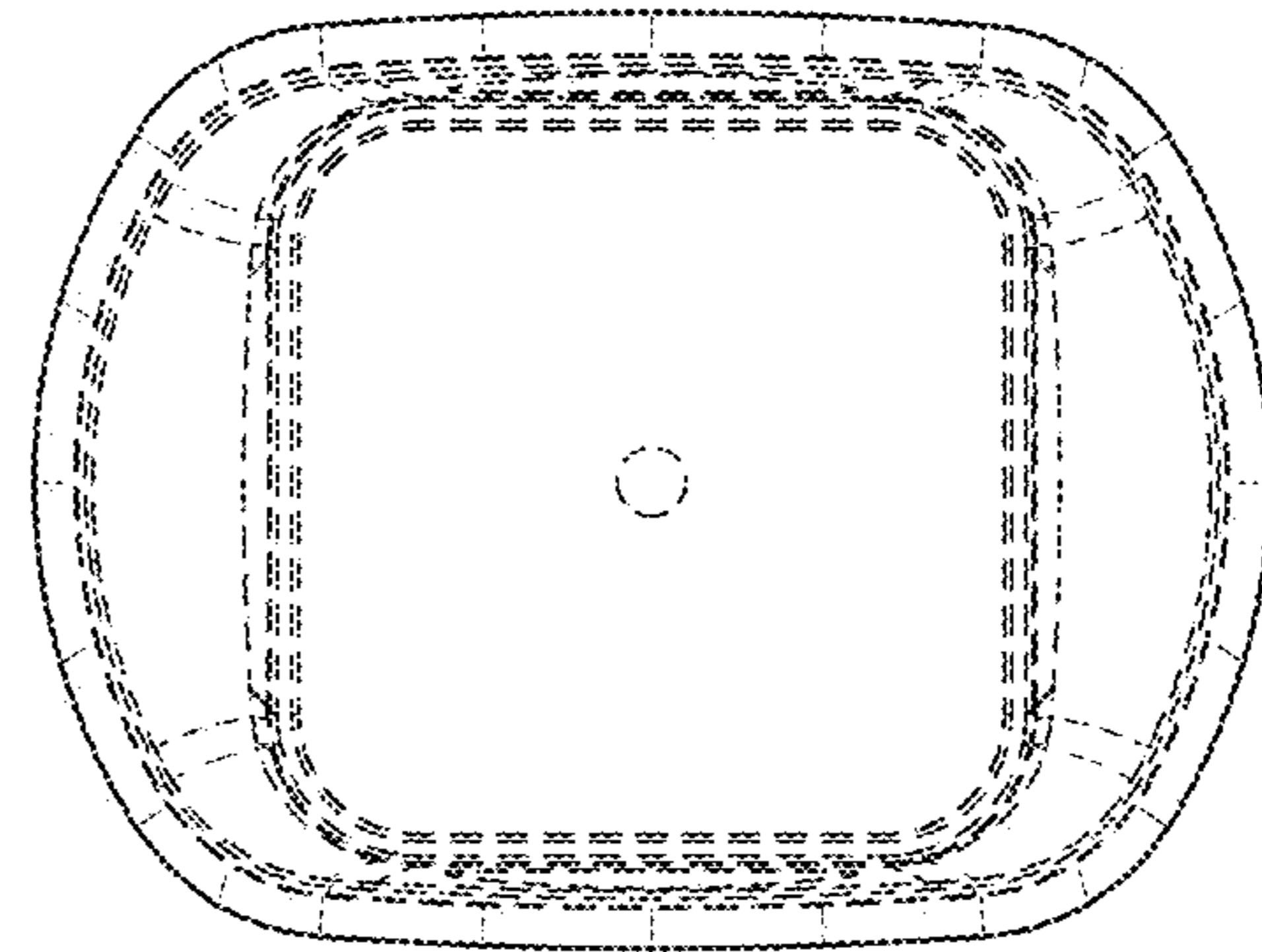


FIG. 6

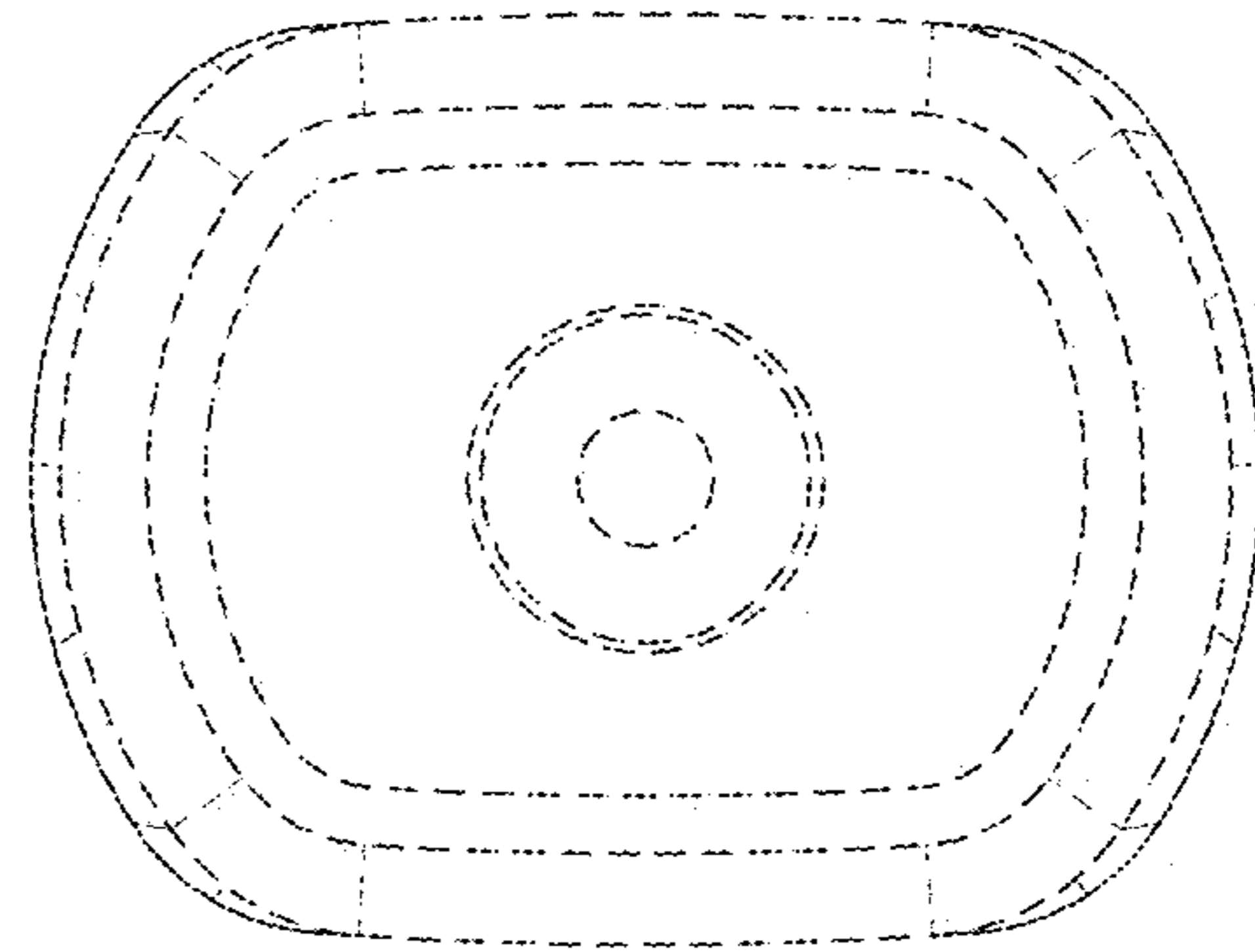


FIG. 7