



US00D925360S

(12) **United States Design Patent**
Smith et al.

(10) **Patent No.:** **US D925,360 S**
(45) **Date of Patent:** **** Jul. 20, 2021**

(54) **CONTAINER**

(71) Applicant: **Owens-Brockway Glass Container Inc.**, Perrysburg, OH (US)

(72) Inventors: **Taylor Smith**, Findlay, OH (US);
Michaela Dial, Cincinnati, OH (US)

(73) Assignee: **Owens-Brockway Glass Container Inc.**, Perrysburg, OH (US)

(**) Term: **15 Years**

(21) Appl. No.: **29/727,136**

(22) Filed: **Mar. 9, 2020**

(51) **LOC (13) Cl.** **09-01**

(52) **U.S. Cl.**
USPC **D9/500; D9/516**

(58) **Field of Classification Search**
USPC D9/500–505, 519, 521, 529, 537,
D9/544–546, 549, 550, 556, 573–575,
D9/682, 688, 690, 767, 772, 777, 783,
D9/516; D28/7, 85; D7/509–511, 523
CPC B21D 51/26; B21D 51/2615; B21D 22/28;
B65D 1/0246; B65D 41/04; F25D 3/08
See application file for complete search history.

(56) **References Cited**

U.S. PATENT DOCUMENTS

D26,065 S 9/1896 Jenkins
D122,058 S 8/1940 Niver
D217,847 S 6/1970 Jenkins et al.
D223,143 S 3/1972 Becker

(Continued)

FOREIGN PATENT DOCUMENTS

CN 301740718 * 11/2011

Primary Examiner — Brett Miller
Assistant Examiner — Rani J Abdallah

(57) **CLAIM**

We claim an ornamental design for a container, as shown and described.

DESCRIPTION

FIG. 1 is an upper perspective view of a container in accordance with our new claimed design.

FIG. 2 is a front view of the container in FIG. 1, the rear and side views being identical to the front view.

FIG. 3 is a top view of the container in FIG. 1; and,

FIG. 4 is a bottom view of the container in FIG. 1.

Dash-dash broken lines shown in the drawings illustrate portions of the container that form no part of the claimed design.

Dash-dot broken lines shown in the drawings represent boundaries of the claimed design and form no part of the claimed design.

Dash-dot break lines that separate portions of the container, and a space and a bracket between the break lines, form no part of the claimed design.

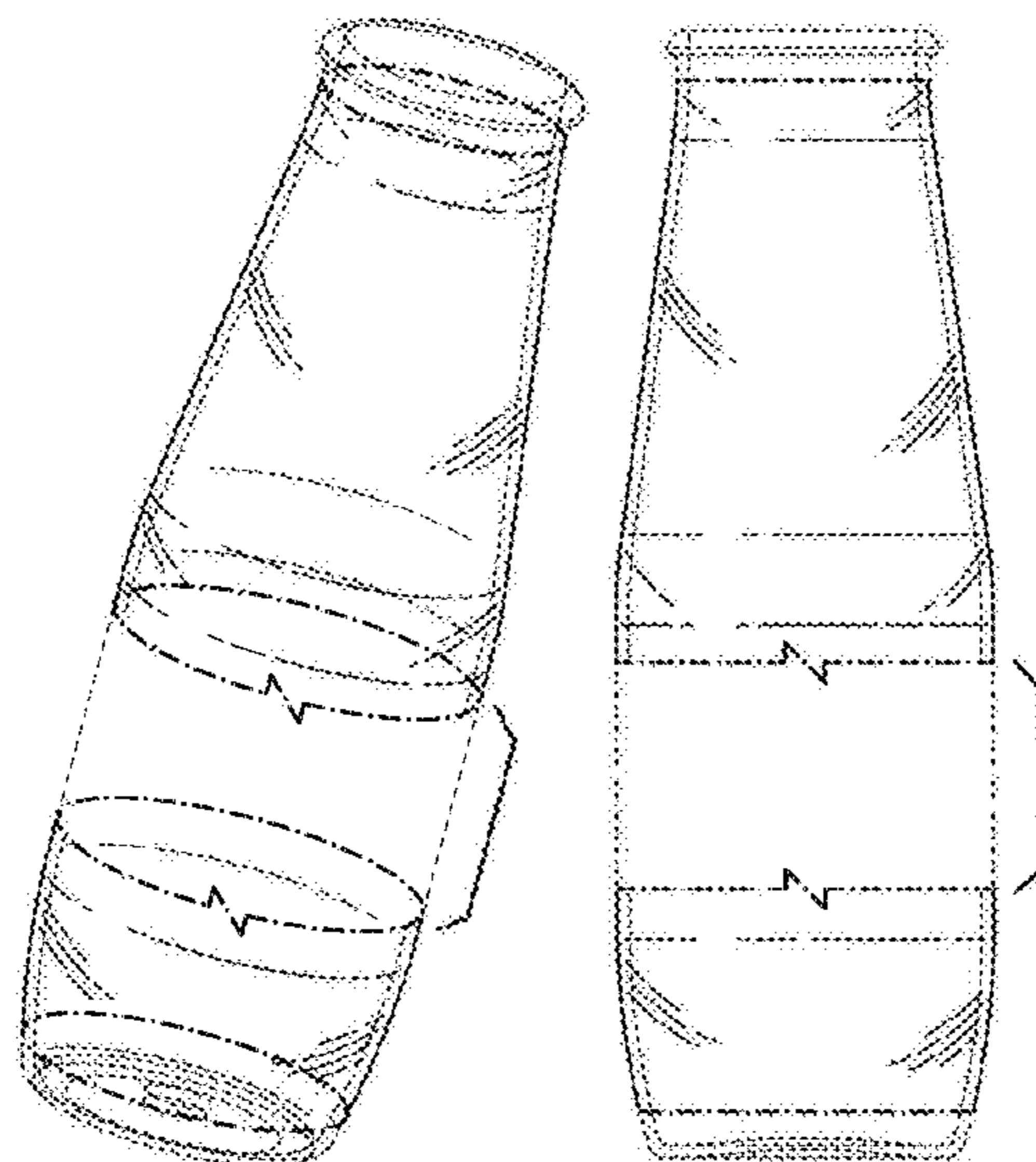
The terms top, left, right, bottom, rear, side, and front are used for reference only and do not limit the claimed design.

Shading lines shown in the drawings represent surface contours, or transparency, translucency, or opacity, and not surface ornamentation, and such lines, in and of themselves, are not part of the claimed design.

Portions of the container not shown in the drawings form no part of the claimed design.

Applicant reserves the right to amend this application, and/or to file one or more divisional or continuation applications, to specifically claim or disclaim any subject matter represented by solid lines or broken lines in the drawings. Accordingly, the disclosure and description include any version of the drawing figures in any solid line(s) is/(are) convertible to broken lines and vice-versa, and wherein any lines may be deleted, and wherein any spaces between portions of the container separated by a bracket indicating unclaimed length are convertible to broken and/or solid lines.

1 Claim, 1 Drawing Sheet



(56)

References Cited

U.S. PATENT DOCUMENTS

D226,370 S *	2/1973	Cromb	D9/500	D760,590 S	7/2016	Renner et al.	
D228,625 S *	10/1973	Pearce	D9/500	D795,645 S *	8/2017	Peng D7/511
D232,417 S *	8/1974	Macko	D9/503	D812,478 S	3/2018	Hines	
D247,471 S	3/1978	Strand			D814,931 S *	4/2018	Alima D9/504
D265,382 S *	7/1982	Jonsson	D9/500	D817,096 S *	5/2018	Kauss D7/511
D289,012 S	3/1987	Strand			D818,826 S	5/2018	Jovanovic	
D431,468 S	10/2000	Potts			D821,201 S *	6/2018	Harris D9/500
D478,286 S	8/2003	Futral et al.			D821,202 S *	6/2018	Harris D9/503
D478,287 S	8/2003	Corker et al.			D821,203 S *	6/2018	Prater D9/503
D553,499 S	10/2007	Lavelli			D826,052 S	8/2018	Harris et al.	
D615,405 S *	5/2010	Bakic	D9/503	D832,651 S *	11/2018	Wiet D7/511
D657,250 S *	4/2012	Bakic	D9/503	D839,673 S *	2/2019	Meyers D7/510
D659,540 S *	5/2012	Bakic	D9/503	D844,440 S *	4/2019	Allen, III D9/504
D663,618 S	7/2012	Cohen et al.			D845,133 S	4/2019	De Lorme	
D671,409 S	11/2012	Cohen et al.			D859,990 S *	9/2019	Neset D9/504
D696,585 S	12/2013	Manne et al.			D864,722 S *	10/2019	Kauffman D9/504
D700,517 S	3/2014	Oommen et al.			D865,526 S	11/2019	Berlepsch	
D726,009 S	4/2015	Manne et al.			D866,331 S	11/2019	Laib et al.	
D752,391 S *	3/2016	Hatherell	D7/511	D871,840 S *	1/2020	Meyers D7/510
D757,551 S *	5/2016	Pires	D9/503	D883,092 S *	5/2020	Travis D9/504
D757,552 S *	5/2016	Pires	D9/503	D885,836 S *	6/2020	Wang D7/510
D757,553 S *	5/2016	Pires	D9/503	D888,557 S *	6/2020	Harris D9/500
D758,193 S *	6/2016	Pires	D9/503	D888,561 S *	6/2020	Smith D9/500
D758,206 S	6/2016	Hoeke et al.			D888,562 S *	6/2020	Smith D9/500
D758,865 S *	6/2016	Pires	D9/503	D889,969 S *	7/2020	Smith D9/500
					2015/0034584 A1 *	2/2015	Renner B65D 83/207 215/43

* cited by examiner

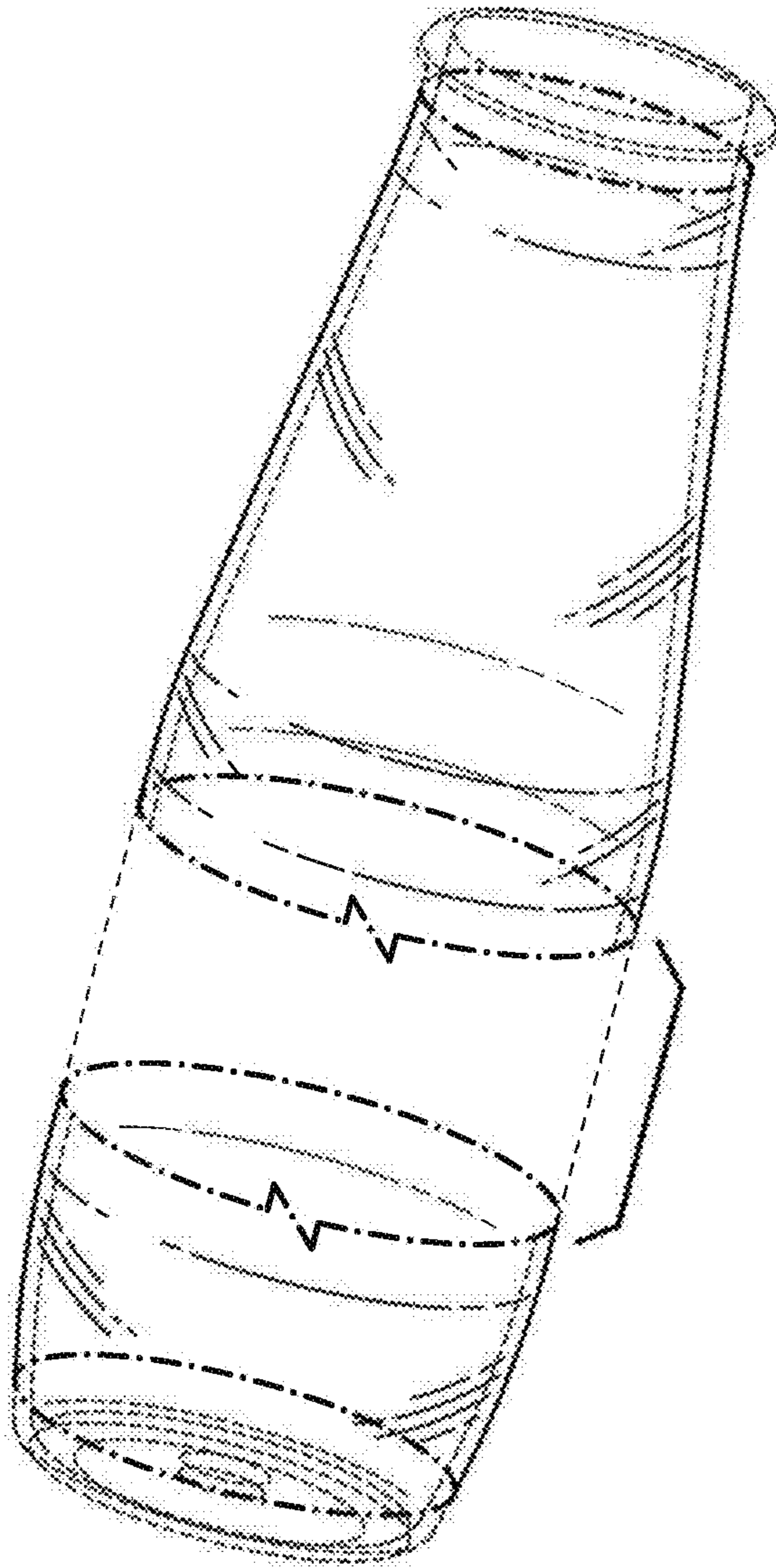


FIG. 1

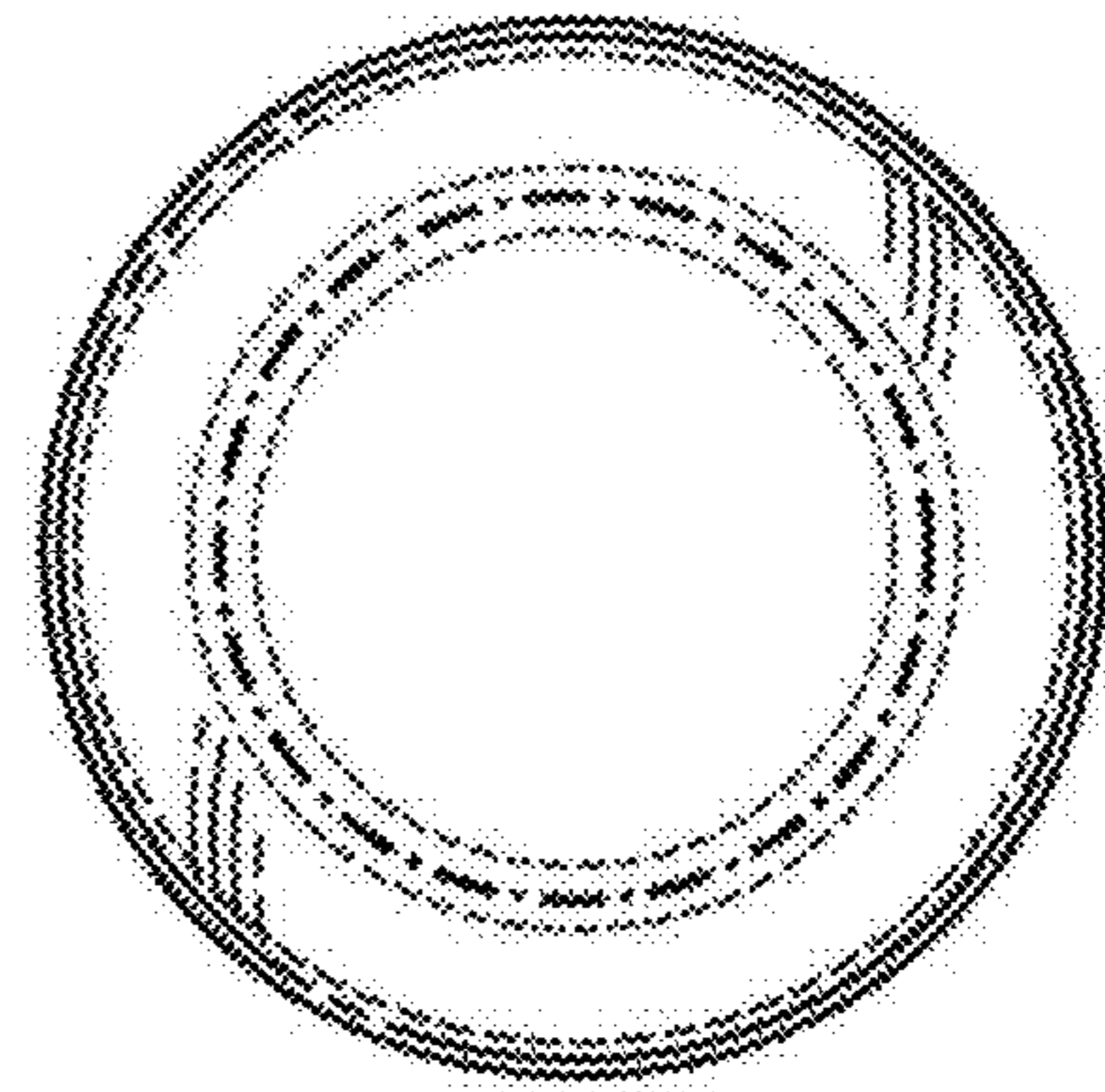


FIG. 3

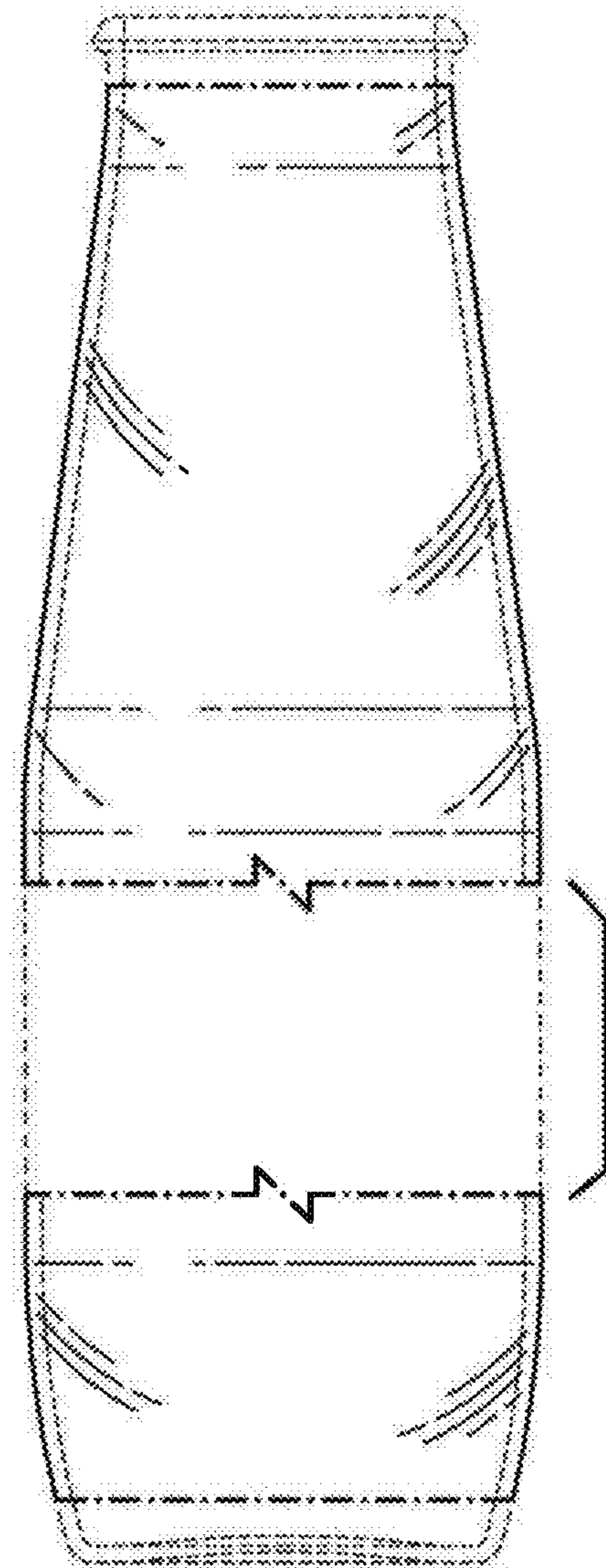


FIG. 2

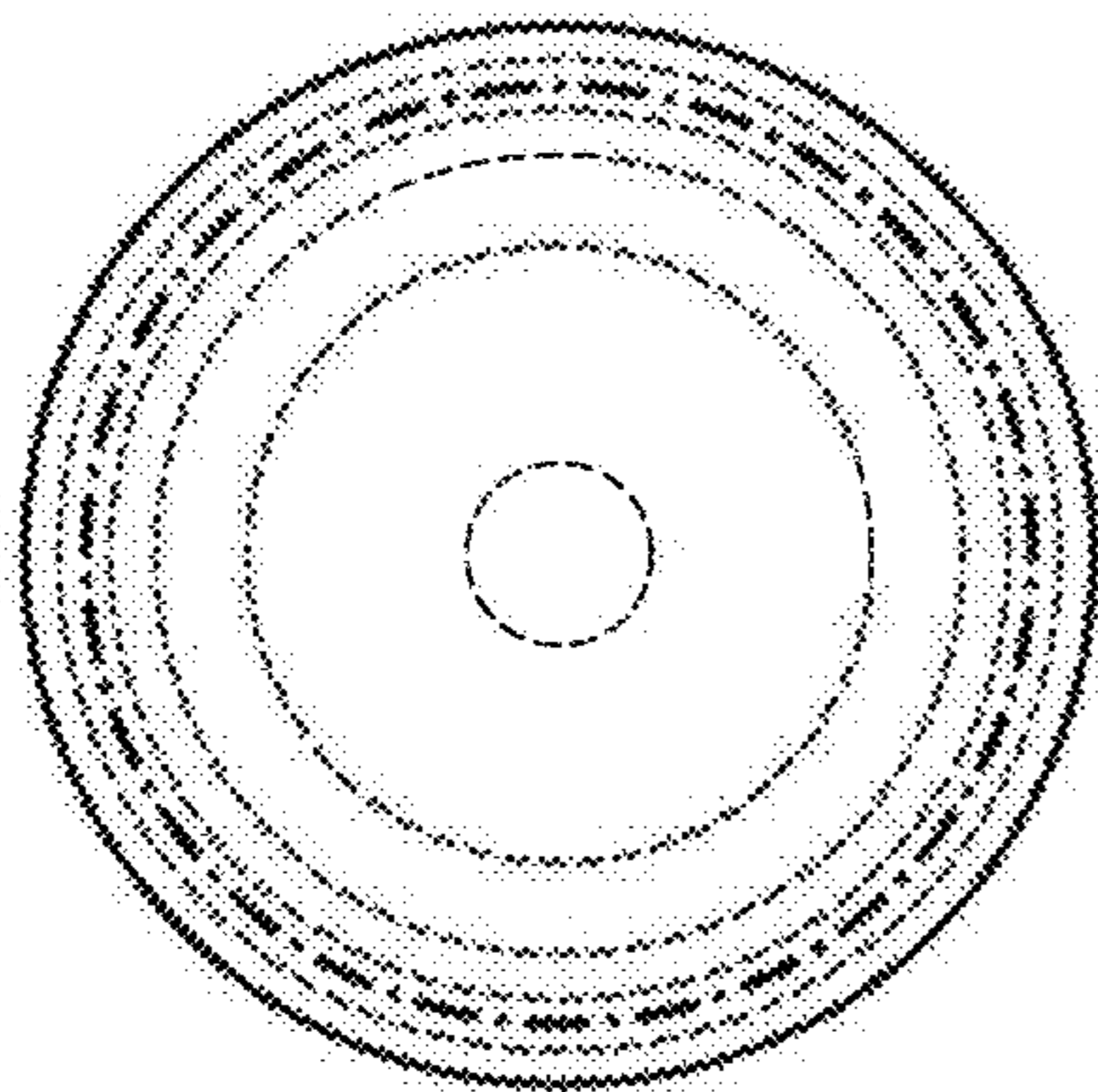


FIG. 4